



US00D806269S

(12) **United States Design Patent** (10) **Patent No.:** **US D806,269 S**  
**Nilsson et al.** (45) **Date of Patent:** **\*\* Dec. 26, 2017**

(54) **FRAME SECTION FOR A SLIDING DOOR**  
 (71) Applicant: **Elfa International AB**, Västervik (SE)  
 (72) Inventors: **Peter Nilsson**, Västervik (SE); **Lars Rydén**, Västervik (SE)  
 (73) Assignee: **Elfa International AB**, Västervik (SE)

D524,453 S \* 7/2006 Koch ..... D25/60  
 D587,731 S \* 3/2009 Niedermeyer ..... D15/136  
 D598,574 S \* 8/2009 Bergmann ..... D25/122  
 D616,567 S \* 5/2010 Desrosiers ..... D25/122  
 D616,568 S \* 5/2010 Desrosiers ..... D25/122  
 D665,516 S \* 8/2012 Bergmann ..... D25/122  
 D702,875 S \* 4/2014 Klus ..... D25/122  
 D713,554 S \* 9/2014 Ryan ..... D25/124

(\*\*) Term: **15 Years**

(21) Appl. No.: **29/505,592**

(22) Filed: **Dec. 23, 2015**

(30) **Foreign Application Priority Data**

Jun. 24, 2015 (EM) ..... 002725002  
 (51) **LOC (10) Cl.** ..... **25-02**  
 (52) **U.S. Cl.**  
 USPC ..... **D25/60**  
 (58) **Field of Classification Search**  
 USPC ..... D25/48.2, 48.3, 55, 60, 61, 119, 121,  
 D25/122, 124, 125  
 CPC ..... E06B 3/4654; E05D 15/0669; E05D  
 15/0691; A47F 3/043  
 See application file for complete search history.

(56) **References Cited**

**U.S. PATENT DOCUMENTS**

D98,067 S \* 1/1936 Hendrickson ..... 52/843  
 5,657,591 A \* 8/1997 Kitada ..... E06B 3/5454  
 49/501

**FOREIGN PATENT DOCUMENTS**

EM 002675470-0001 \* 5/2015  
 JP D1479870 \* 9/2013

\* cited by examiner

*Primary Examiner* — Susan Bennett Hattan  
*Assistant Examiner* — Leanne Was-Englehart  
 (74) *Attorney, Agent, or Firm* — Hubbard Johnston,  
 PLLC

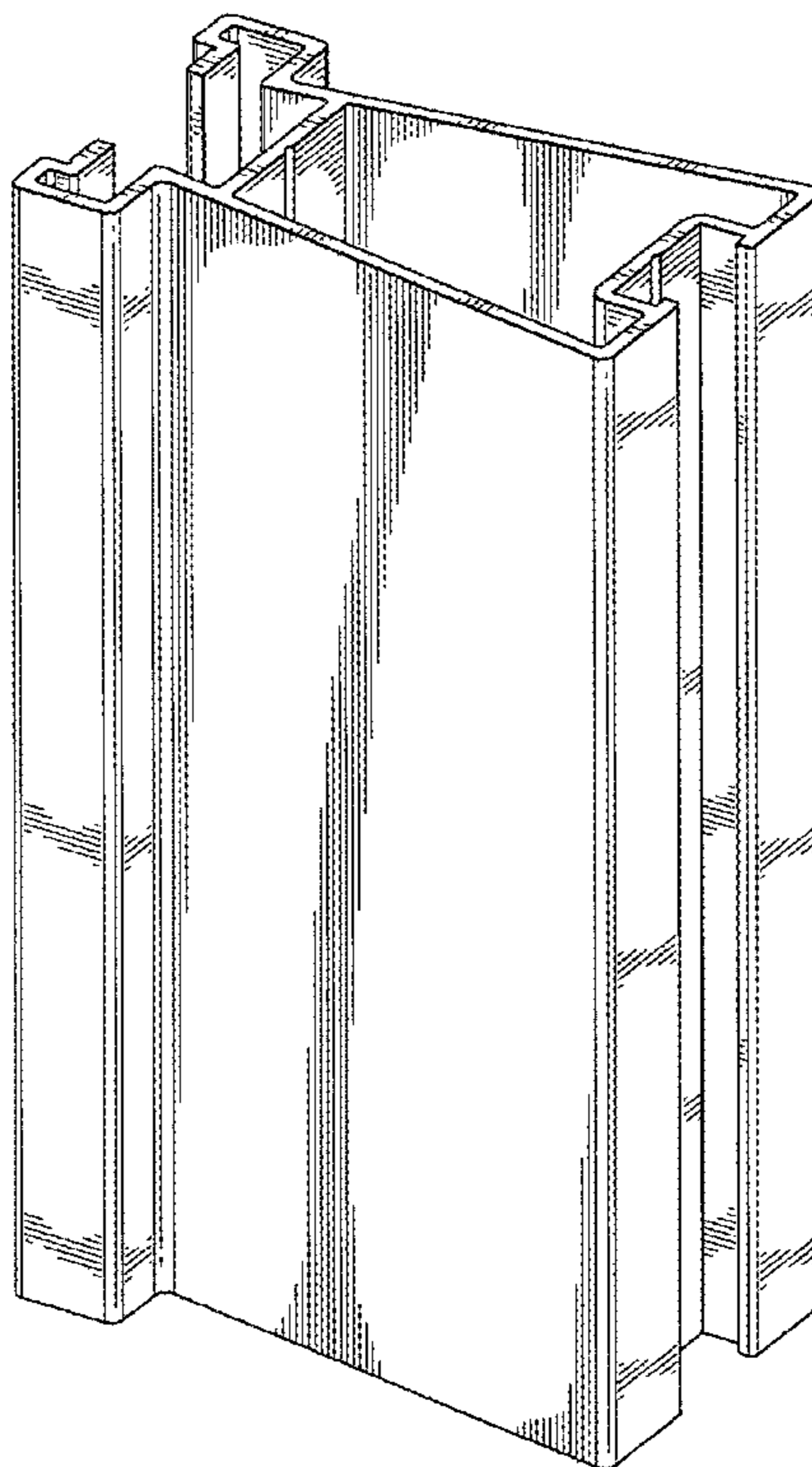
(57) **CLAIM**

The ornamental design for a frame section for a sliding door, as shown.

**DESCRIPTION**

FIG. 1 is a perspective view of the frame section for a sliding door; and,  
 FIG. 2 is an end view of the frame section for the sliding door of FIG. 1.

**1 Claim, 2 Drawing Sheets**



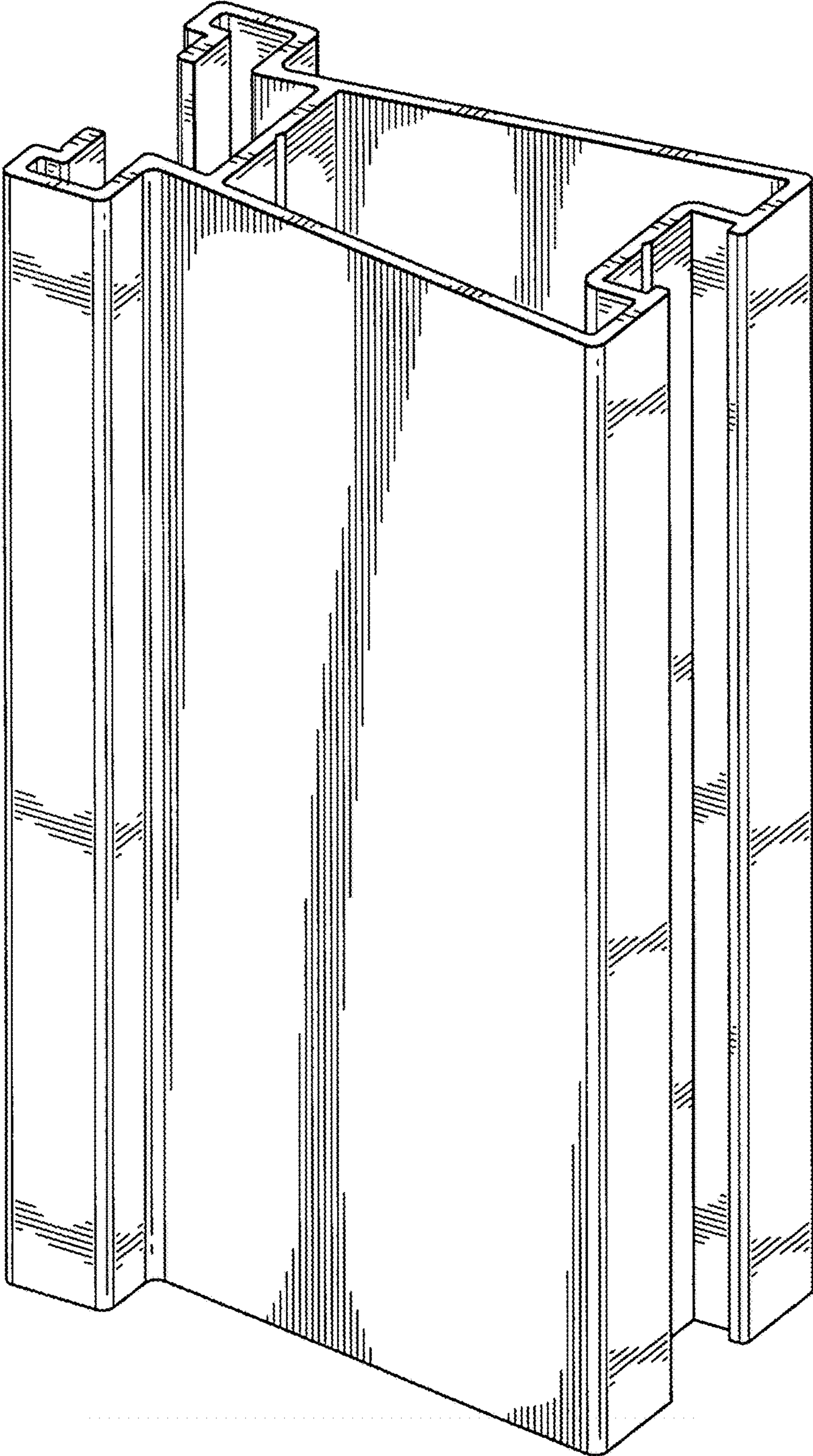


FIG. 1

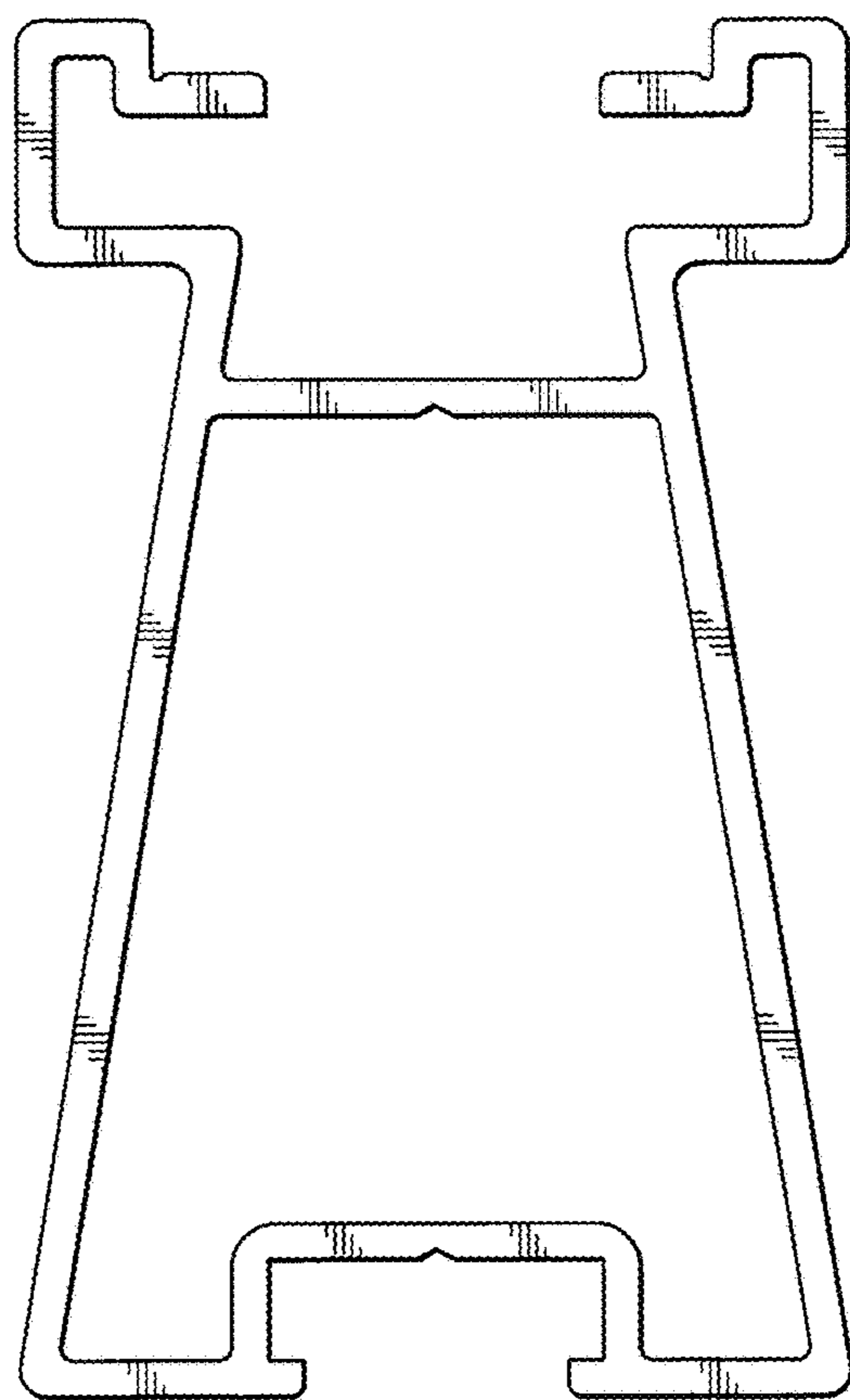


FIG. 2