



US00D806266S

(12) **United States Design Patent** (10) **Patent No.:** **US D806,266 S**
Honein (45) **Date of Patent:** **** Dec. 26, 2017**

(54) **SPIGOT RAILING**

(71) Applicant: **Jad Honein**, Seattle, WA (US)

(72) Inventor: **Jad Honein**, Seattle, WA (US)

(**) Term: **15 Years**

(21) Appl. No.: **29/572,793**

(22) Filed: **Jul. 29, 2016**

(51) **LOC (10) Cl.** **25-02**

(52) **U.S. Cl.**
USPC **D25/38.1**

(58) **Field of Classification Search**
USPC D25/38.1, 41.1, 43, 44, 133
CPC . E04F 11/181; E04F 11/1838; E04F 11/1842;
E04F 2011/1887; E04F 2011/1897; E04H
17/24; E04H 17/1434; E04H 2017/1478
See application file for complete search history.

(56) **References Cited**

U.S. PATENT DOCUMENTS

| | | | | |
|---------------|---------|------------|-------|----------------------|
| 5,481,846 A * | 1/1996 | Macchietto | | E04C 3/32 248/158 |
| D502,550 S * | 3/2005 | Walker | | D25/38.1 |
| D669,197 S * | 10/2012 | Connor | | D25/133 |
| D673,306 S * | 12/2012 | Chung | | D25/133 |
| D764,070 S * | 8/2016 | Lussier | | D25/133 |
| D785,210 S * | 4/2017 | Honein | | D25/133 |

FOREIGN PATENT DOCUMENTS

| | | | |
|----|-----------|---|--------|
| CN | 3381282 | * | 7/2004 |
| CN | 303290792 | * | 7/2015 |

OTHER PUBLICATIONS

<https://www.youtube.com/watch?v=n2Qln-0uV9c> Posted Aug. 17, 2016.*

<https://inlinedesign.us/products/stainless-steel-spigot-square-pyramid-glass-clamp> Retrieved Jul. 31, 2017.*

* cited by examiner

Primary Examiner — Susan Bennett Hattan

Assistant Examiner — Leanne Was-Englehart

(74) *Attorney, Agent, or Firm* — Seed IP Law Group LLP

(57) **CLAIM**

The ornamental design for a spigot railing, as shown and described.

DESCRIPTION

FIG. 1 is a front, top, left-side perspective view of a spigot railing showing my new design.

FIG. 2 is a rear, bottom, right-side perspective view thereof.

FIG. 3 is a left-side elevational view thereof.

FIG. 4 is a front elevational view thereof.

FIG. 5 is a top plan view thereof.

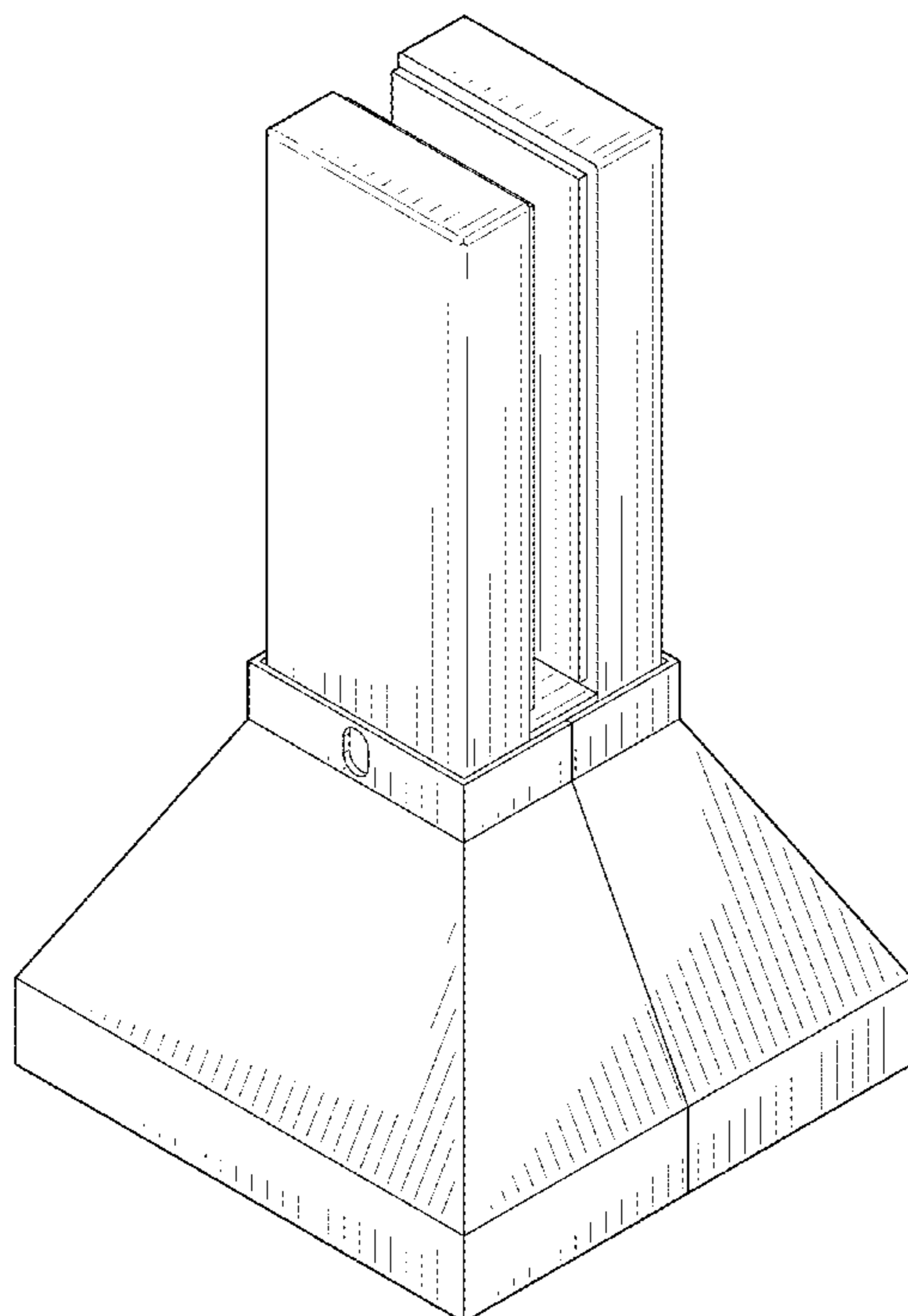
FIG. 6 is a rear elevational view thereof.

FIG. 7 is a right-side elevational view thereof; and,

FIG. 8 is a bottom plan view thereof.

The broken lines in the drawings illustrate portions of the spigot railing that form no part of the claimed design.

1 Claim, 8 Drawing Sheets



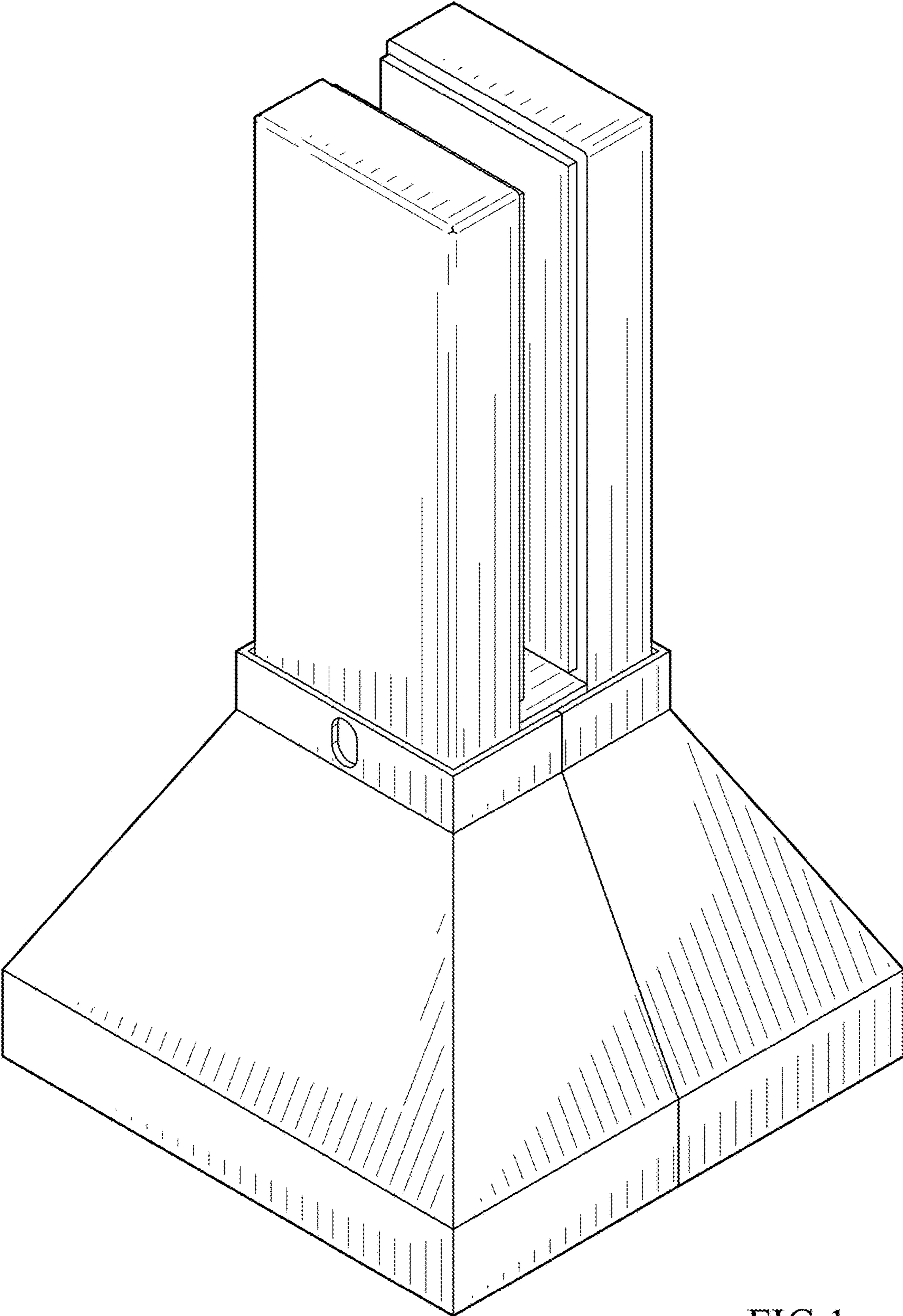


FIG.1

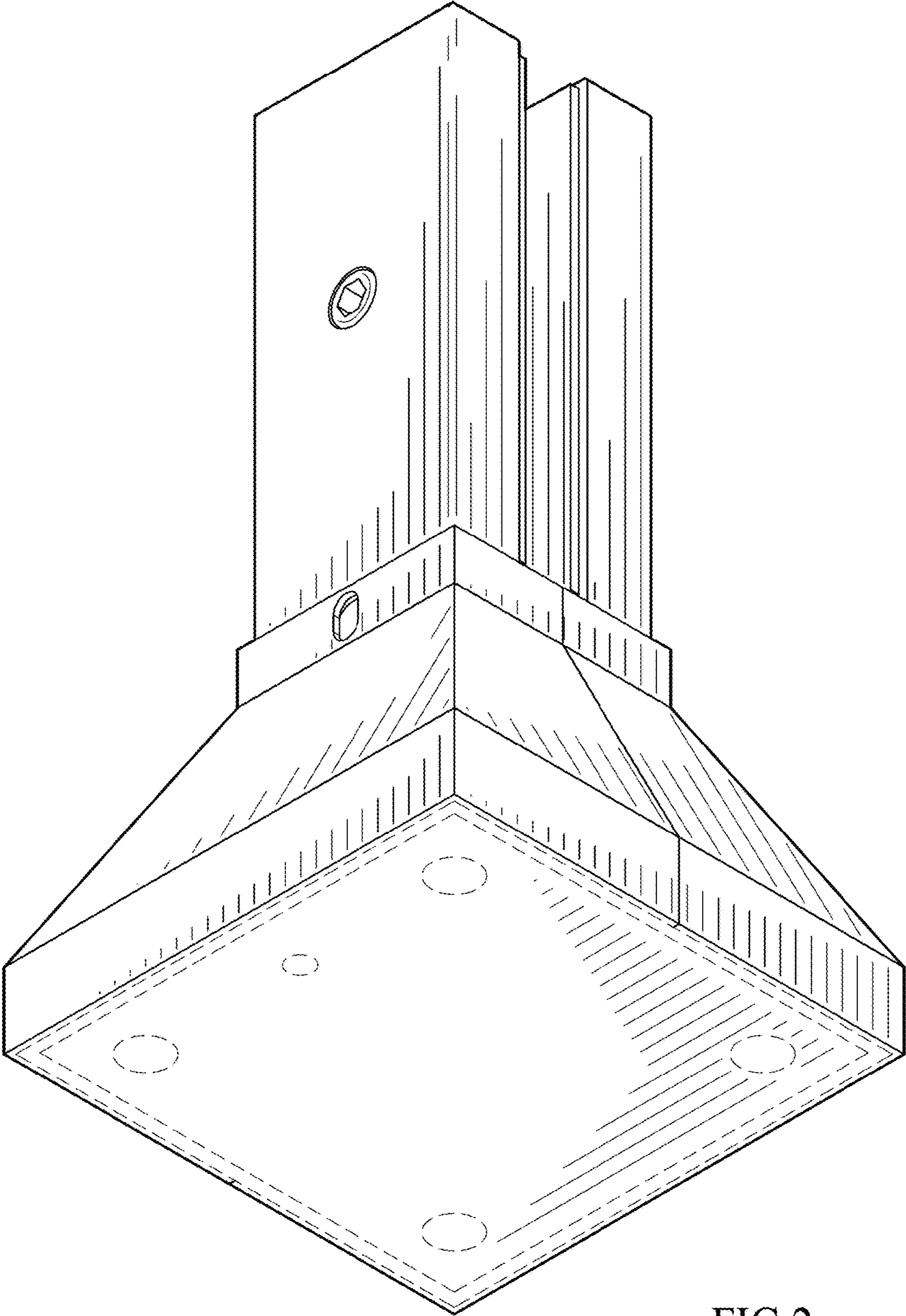


FIG.2

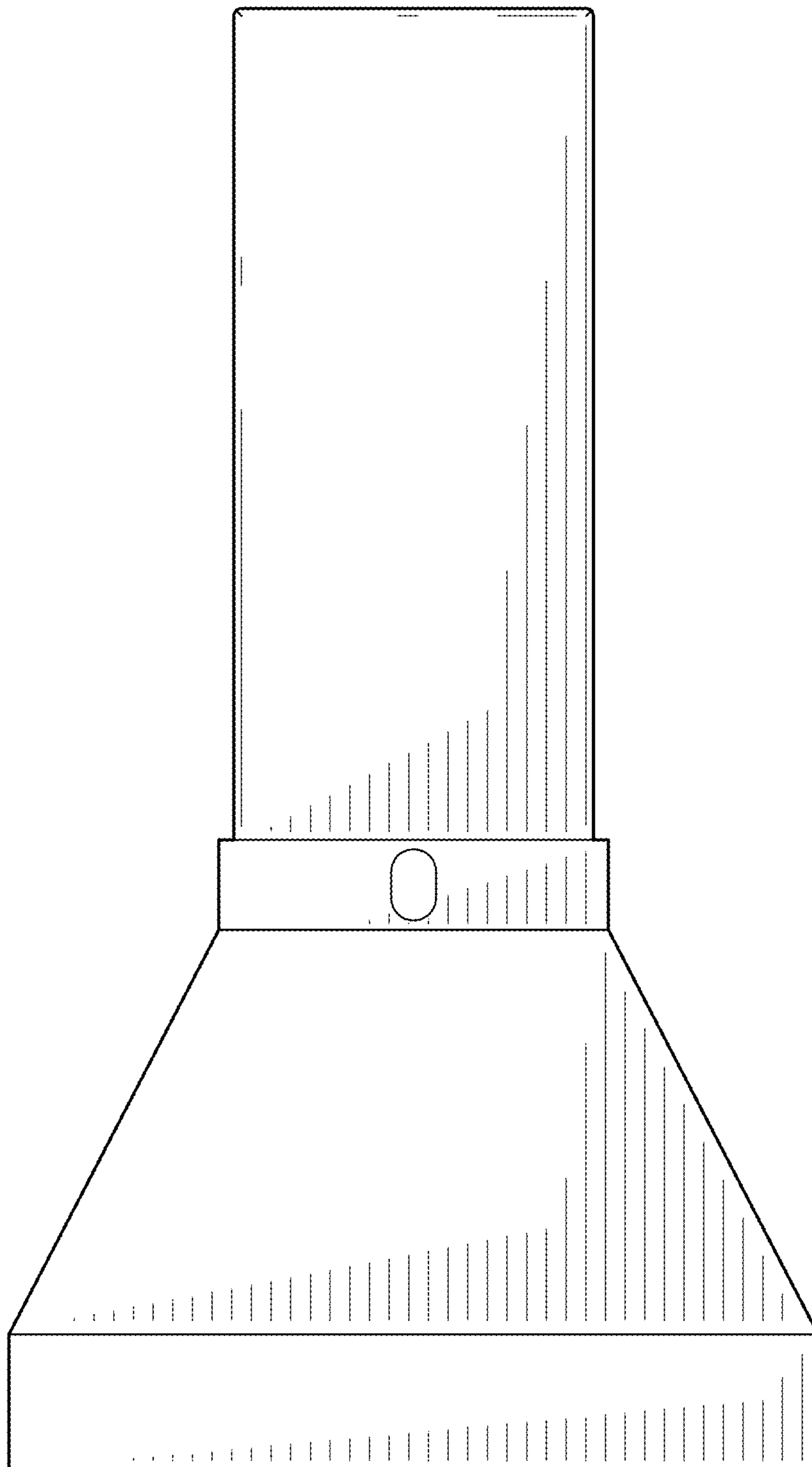


FIG.3

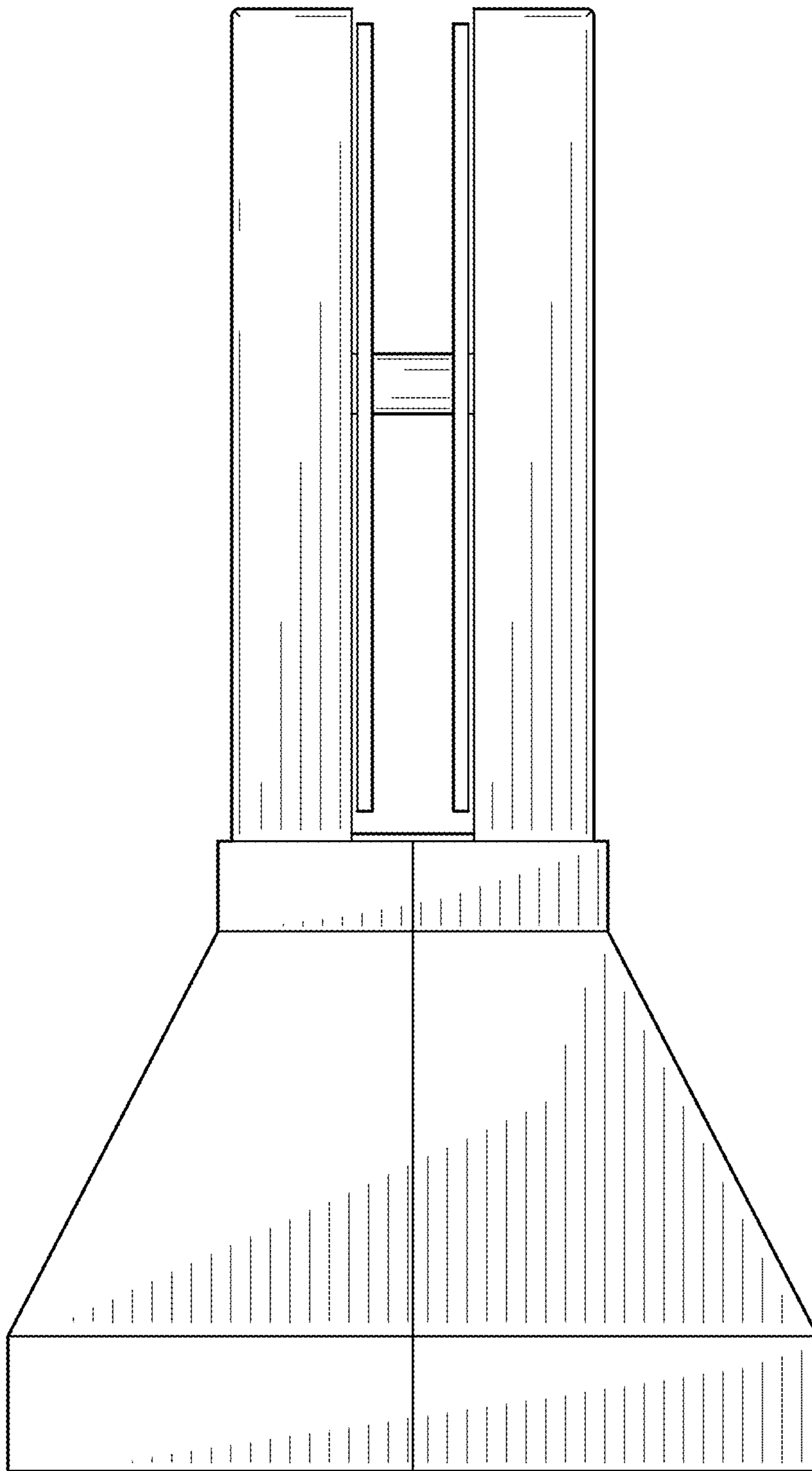


FIG.4

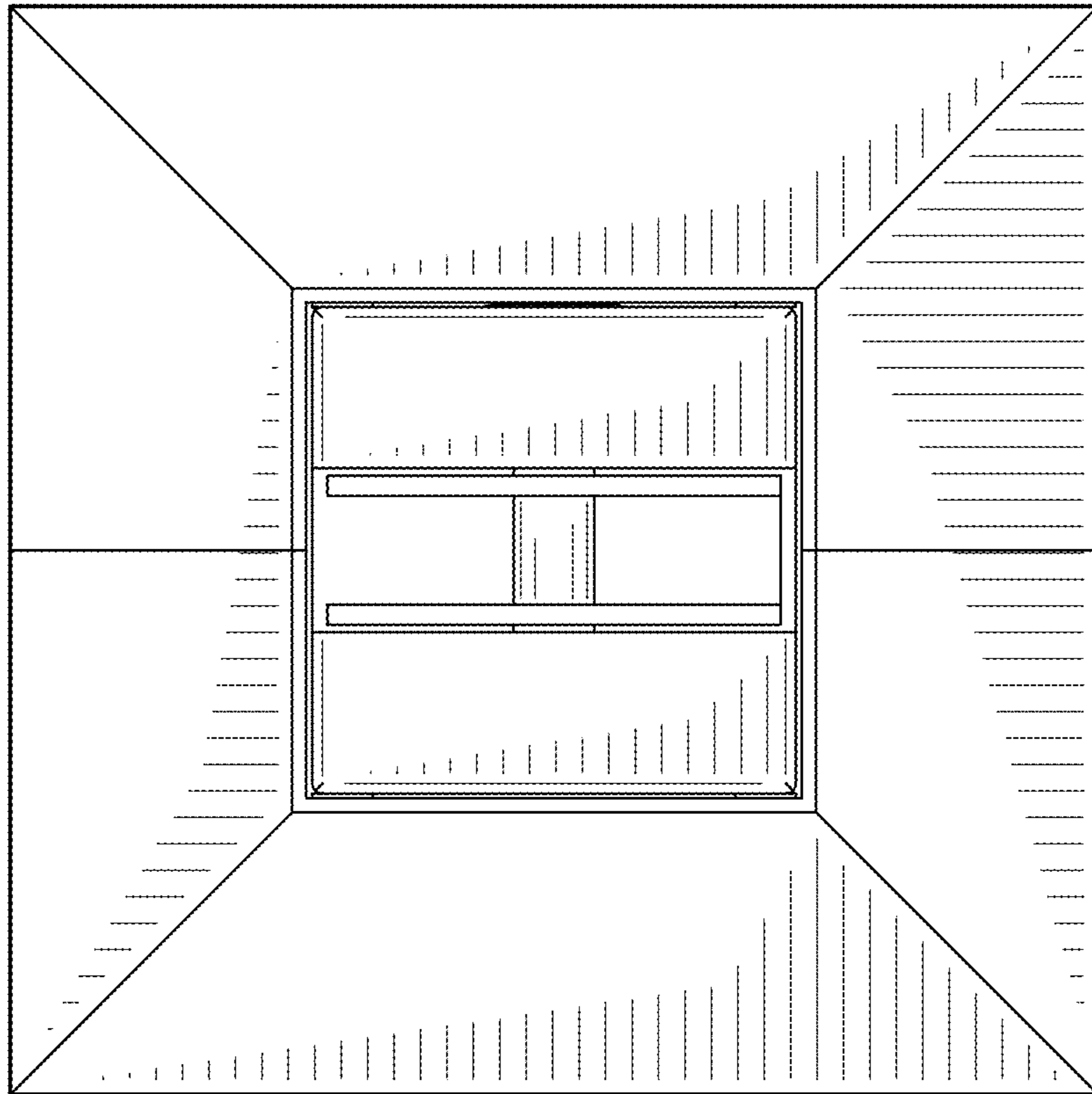


FIG.5

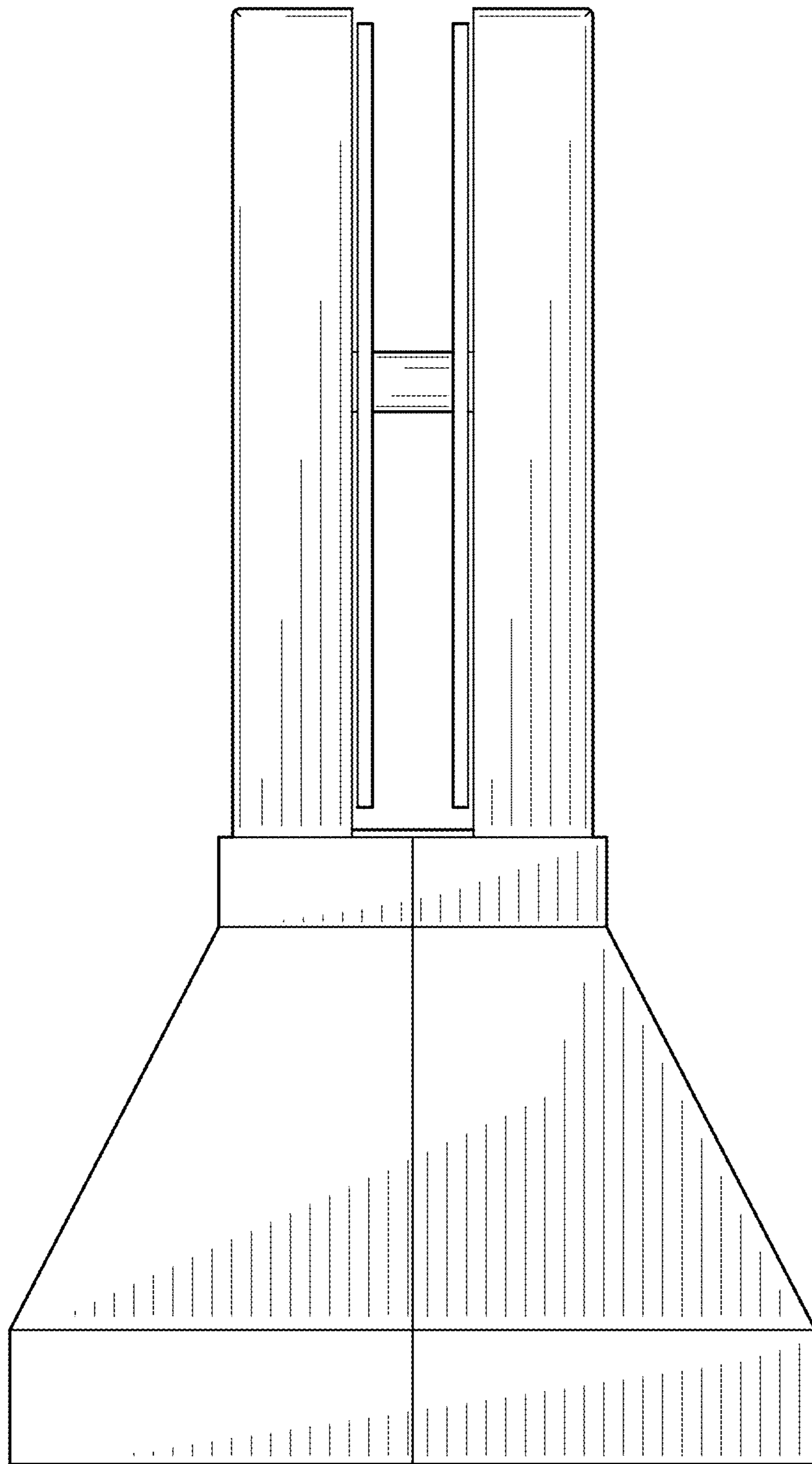


FIG.6

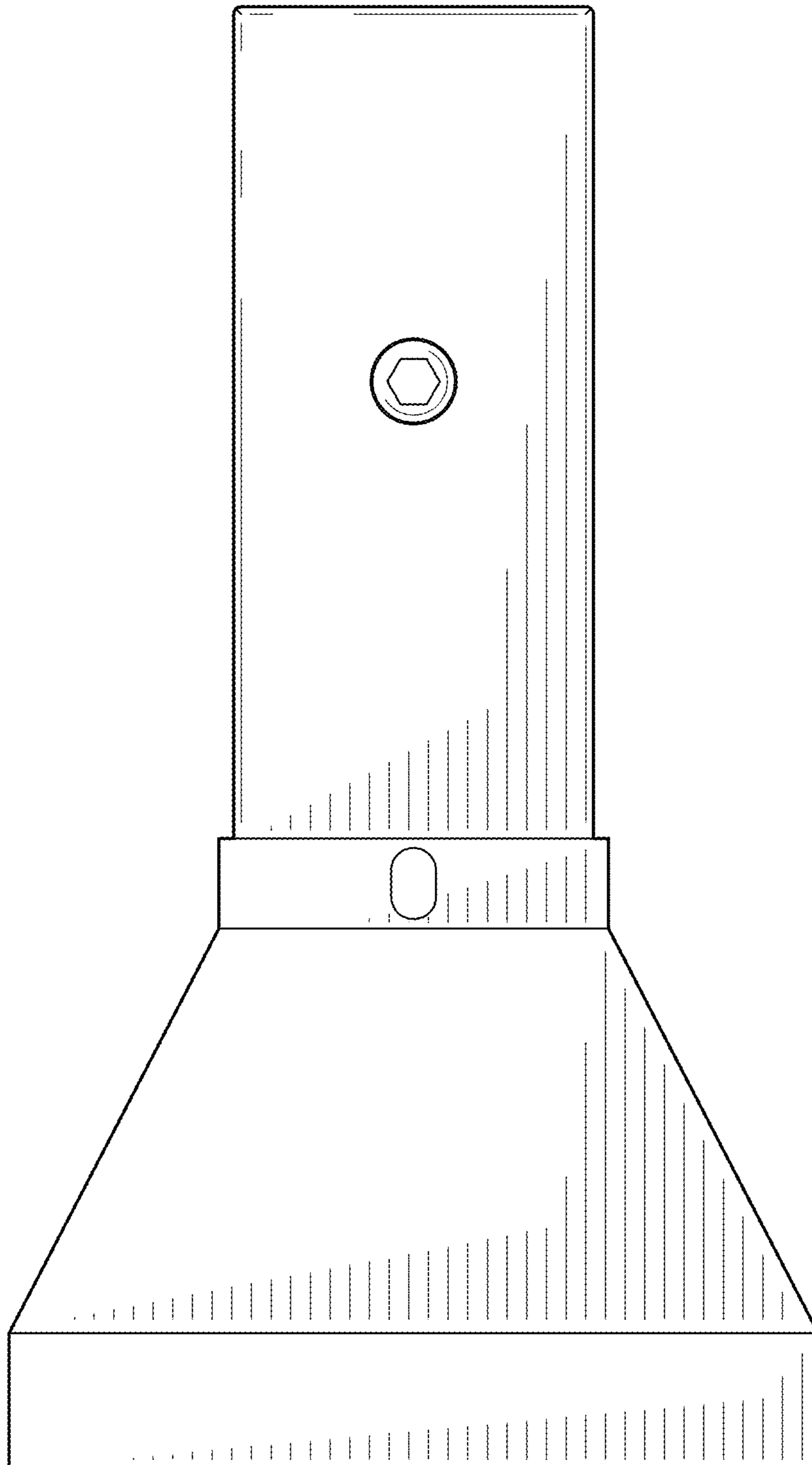


FIG.7

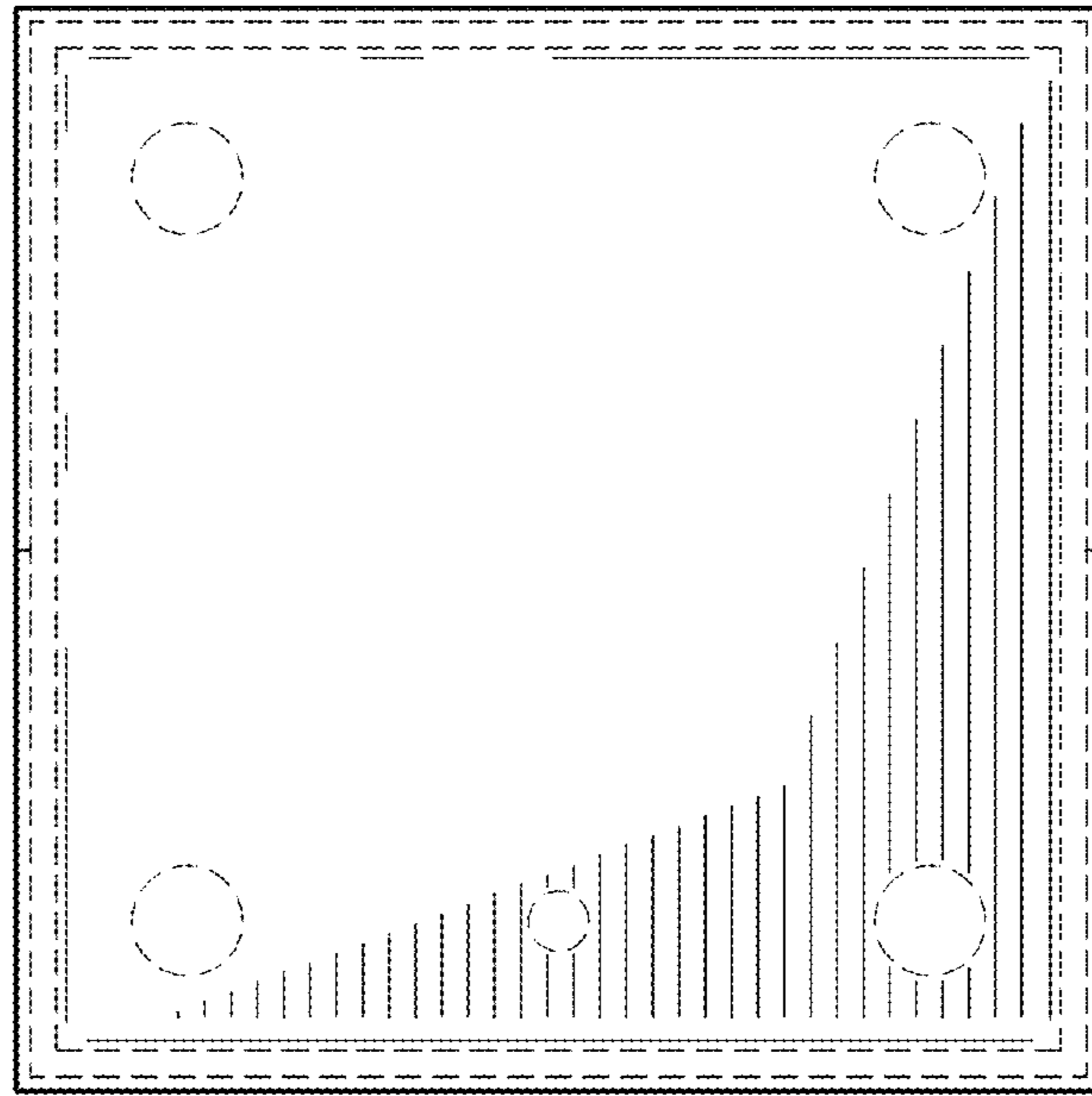


FIG.8