



US00D806265S

(12) **United States Design Patent** (10) **Patent No.:** **US D806,265 S**
Bizzarri et al. (45) **Date of Patent:** **** Dec. 26, 2017**

(54) **INSERT FOR RAILING TOP RAIL**
(71) Applicant: **CPG International LLC**, Skokie, IL (US)
(72) Inventors: **Paul Bizzarri**, Mason, OH (US); **Jason A. Davoll**, Chicago, IL (US); **Michael A. Gori**, Norton, OH (US); **Richard Arthur Pearson, II**, Campbell, MO (US); **Ronald Keith Turner**, Elmer, LA (US)

7,731,160 B2 6/2010 Terrels et al.
7,744,065 B2 6/2010 Terrels et al.
8,282,083 B1 10/2012 Poma
8,579,263 B2 11/2013 Petta
D765,009 S * 8/2016 Conrad D12/317
D771,276 S * 11/2016 Walker D25/119
D782,697 S * 3/2017 Bizzarri D25/121
D782,698 S * 3/2017 Bizzarri D25/121
2015/0115214 A1* 4/2015 Schneider E04F 11/1834
256/67

(73) Assignee: **CPG International LLC**, Skokie, IL (US)

<https://timbertech.com/products/railing/impression-rail> Available Jun. 17, 2016.*

(**) Term: **15 Years**

* cited by examiner

(21) Appl. No.: **29/554,585**

Primary Examiner — Susan Bennett Hattan
Assistant Examiner — Leanne Was-Englehart
(74) *Attorney, Agent, or Firm* — Buchanan Ingersoll & Rooney PC

(22) Filed: **Feb. 12, 2016**

(51) **LOC (10) Cl.** **25-02**

(52) **U.S. Cl.**
USPC **D25/38.1**

(58) **Field of Classification Search**
USPC D25/38.1, 41.1, 43, 44, 119, 120, 121, D25/122, 123, 124, 125, 126, 136, 164; 256/21, 59, 66, DIG. 6; 403/311
CPC F16B 7/0413; E06B 3/62; E06B 3/5409; E04F 11/18; E04F 11/1851
See application file for complete search history.

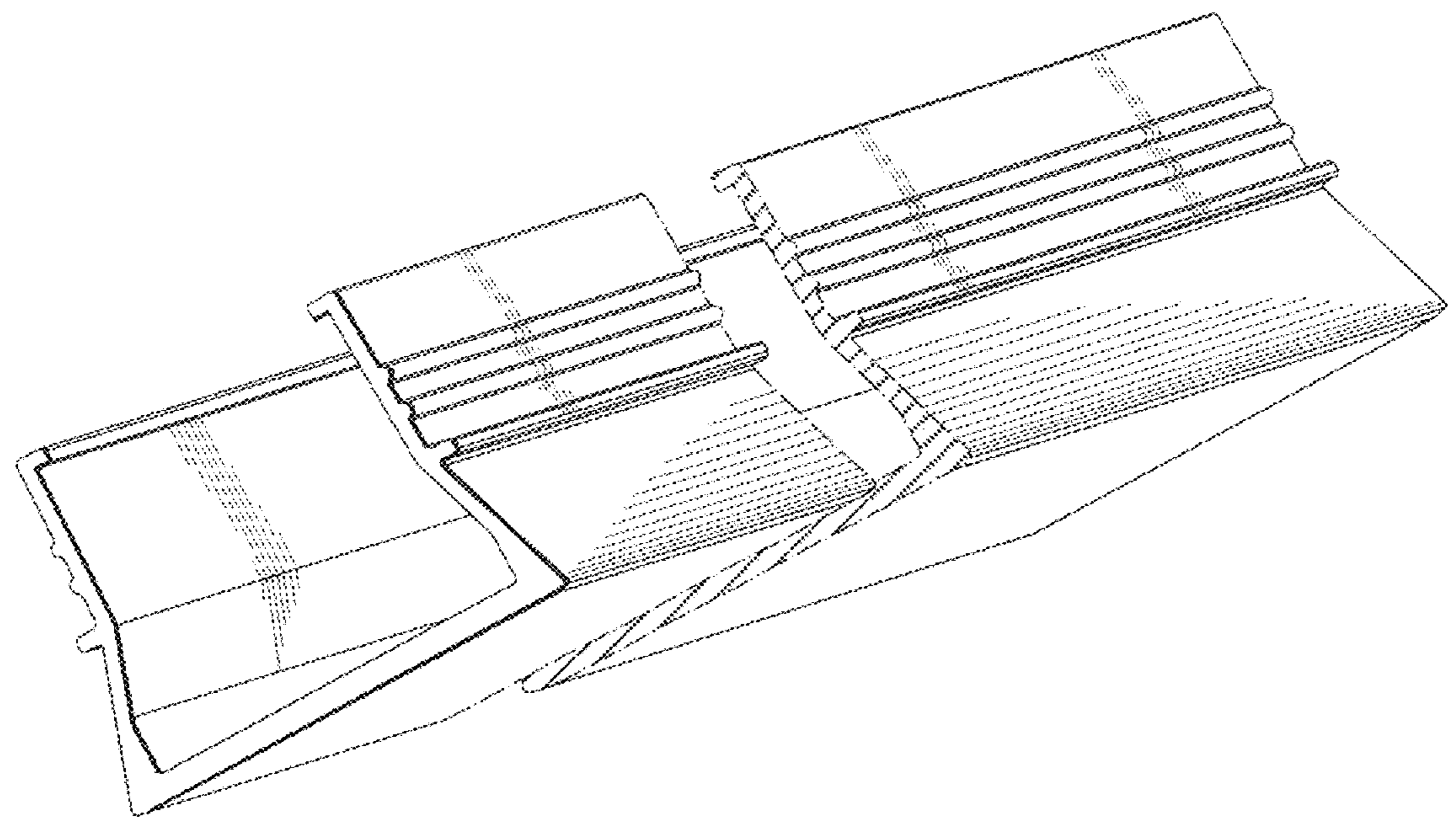
(57) **CLAIM**
The ornamental design for an insert for railing top rail, as shown and described.

(56) **References Cited**

U.S. PATENT DOCUMENTS
6,752,385 B2 * 6/2004 Zen E04F 11/1842
256/22
7,472,482 B2 1/2009 Pratt

DESCRIPTION
FIG. 1 is a perspective view of our insert for railing top rail; FIG. 2 is an end view thereof; FIG. 3 is a left side view thereof, the right side being a mirror image thereof; FIG. 4 is a top view thereof; and, FIG. 5 is a bottom view thereof.
The break lines depict bounds of the claim. The portion between the break lines forms no part of the claimed design.

1 Claim, 2 Drawing Sheets



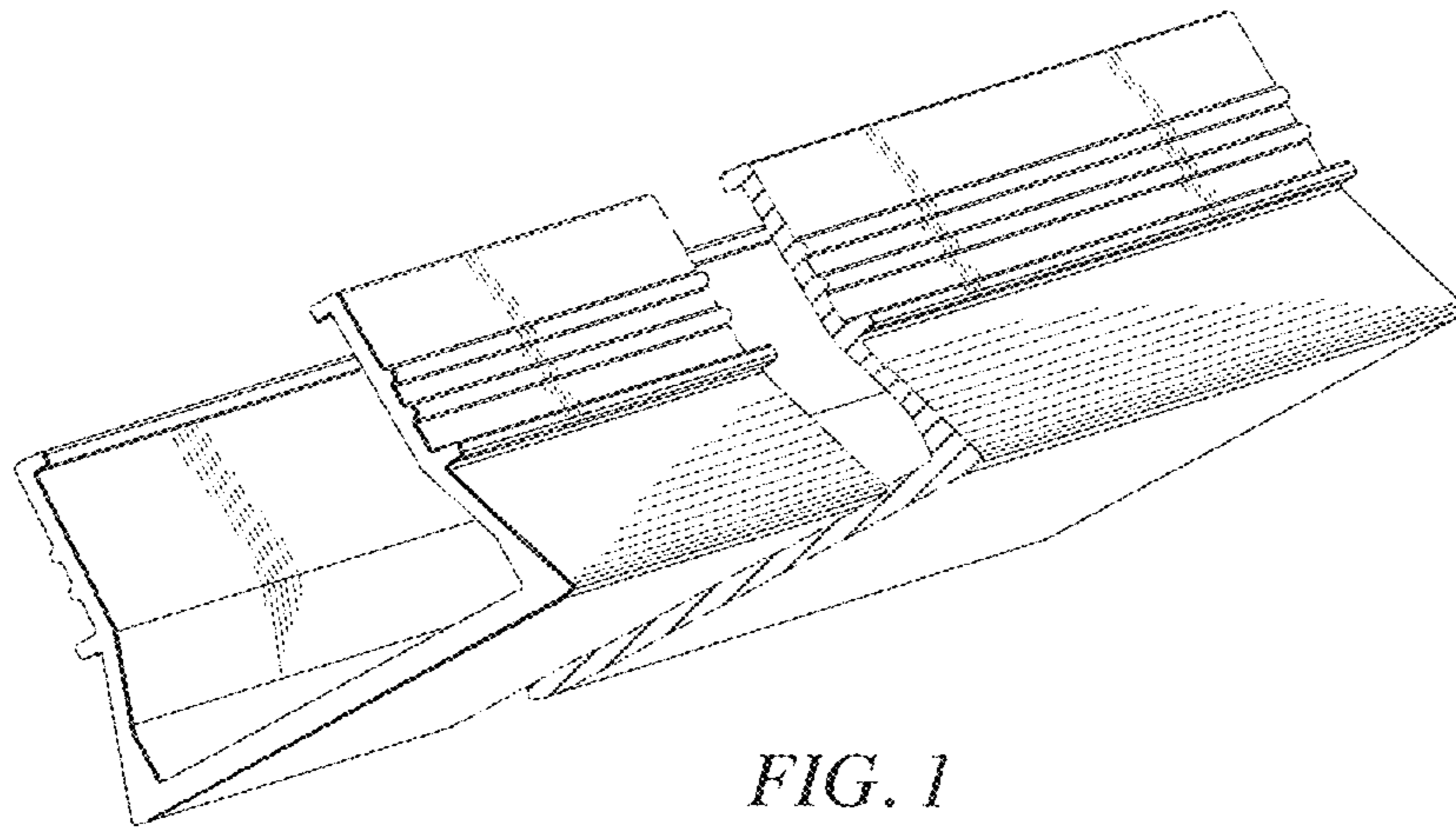


FIG. 1

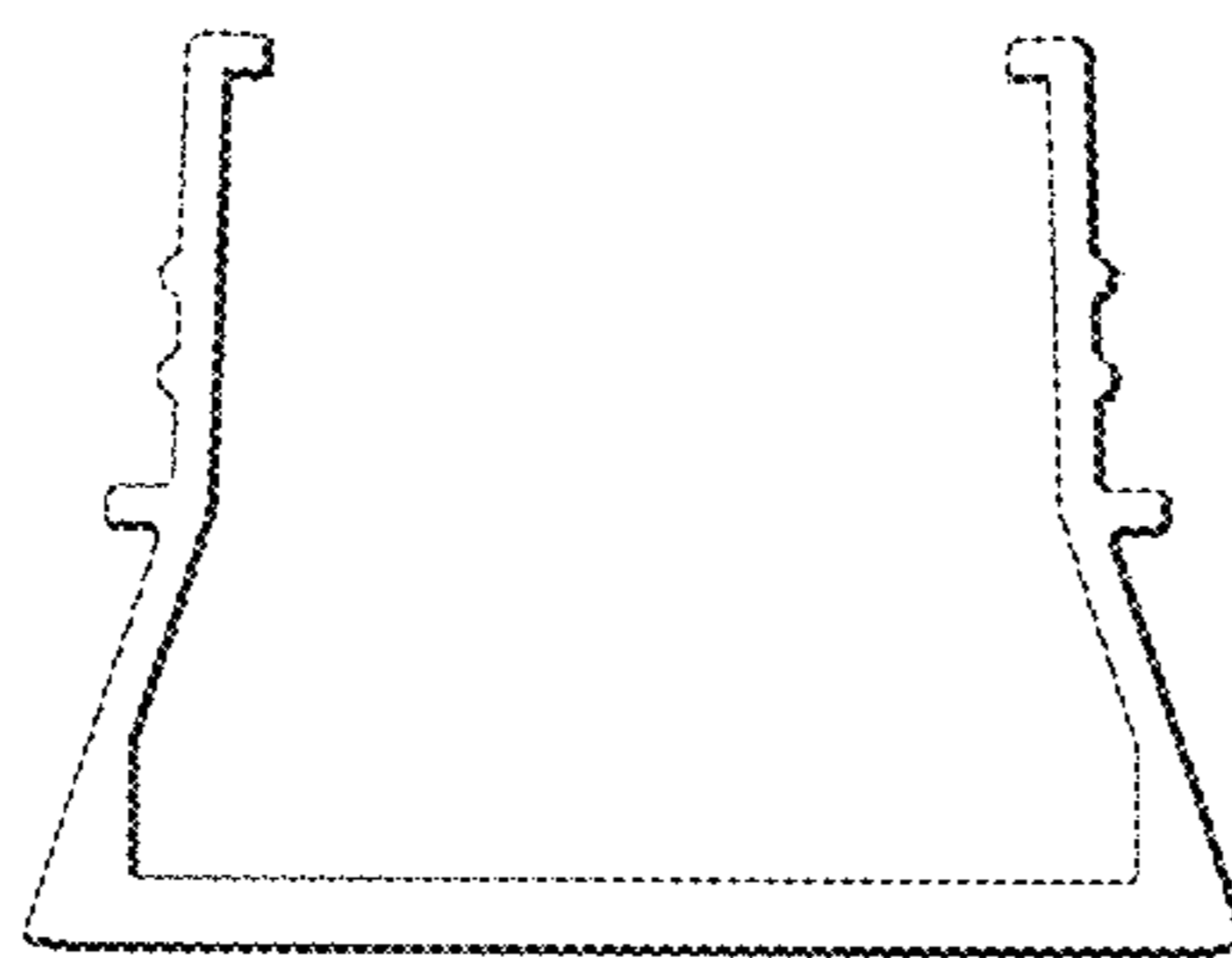


FIG. 2

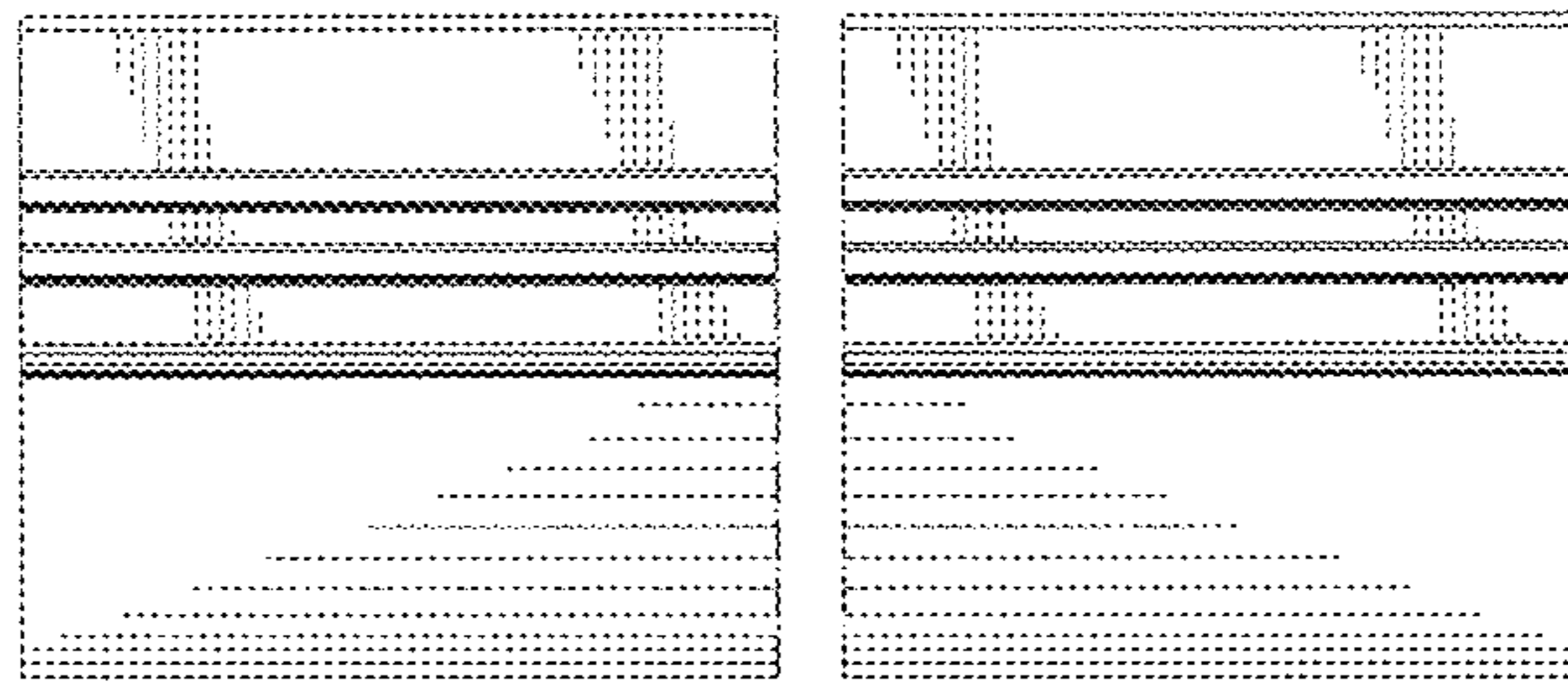


FIG. 3

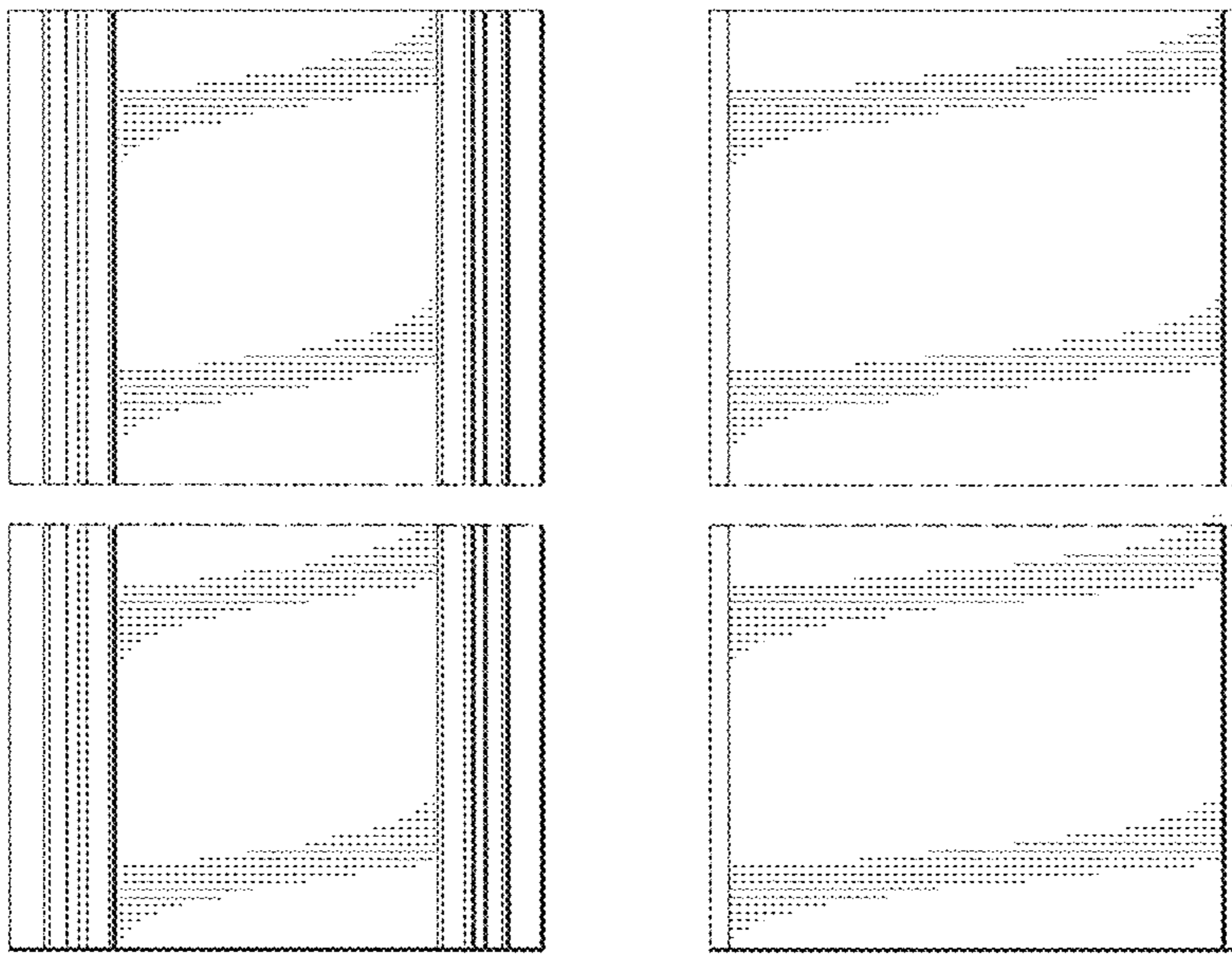


FIG. 4

FIG. 5