



US00D806263S

(12) **United States Design Patent** (10) **Patent No.:** **US D806,263 S**  
**Kitchen et al.** (45) **Date of Patent:** **\*\* Dec. 26, 2017**

(54) **TRACKS FOR AN OBSERVATION TOWER**

(71) Applicant: **William J. Kitchen**, Windermere, FL (US)

(72) Inventors: **William J. Kitchen**, Windermere, FL (US); **Michael A. Kitchen**, Windermere, FL (US); **Douglas H. Austin**, San Diego, CA (US); **Randy S. Robbins**, San Diego, CA (US); **Jonathan Sherman**, San Diego, CA (US)

(\*\*) Term: **15 Years**

(21) Appl. No.: **29/567,648**

(22) Filed: **Jun. 10, 2016**

(51) **LOC (10) Cl.** ..... **25-03**

(52) **U.S. Cl.**  
USPC ..... **D25/6**

(58) **Field of Classification Search**  
None  
See application file for complete search history.

(56) **References Cited**

**U.S. PATENT DOCUMENTS**

728,246 A 5/1903 Kremer  
771,322 A 10/1907 Pattee  
(Continued)

**FOREIGN PATENT DOCUMENTS**

DE 377094 A 6/1923  
DE 406720 A 11/1924  
(Continued)

**OTHER PUBLICATIONS**

Ramakrishnan, Meena. "Iconic SkySpire Tower Coming to Downtown San Diego." Jun. 21, 2016. Smart Meetings. <http://www.smartmeetings.com/destinations/91152/skyspire-tower-downtown-san-diego>.\*

(Continued)

*Primary Examiner* — Manpreet S Matharu

*Assistant Examiner* — Suzanne E Tisdell

(74) *Attorney, Agent, or Firm* — Polson Intellectual Property Law, PC; Margaret Polson

(57) **CLAIM**

The ornamental design for tracks for an observation tower, as shown and described.

**DESCRIPTION**

FIG. 1 is a front isometric view of our new design for an observation tower.

FIG. 2 is a back side elevation view of FIG. 1.

FIG. 3 is a front side elevation view of FIG. 1.

FIG. 4 is a left side elevation view of FIG. 1.

FIG. 5 is a right side elevation view of FIG. 1.

FIG. 6 is top plan view of FIG. 1.

FIG. 7 is a front isometric view of our new design for an observation tower, it being understood that this is the same as the embodiment of FIG. 1 other than the disclaimed areas, all other surfaces are the same as FIG. 1.

FIG. 8 is a back side elevation view of FIG. 7.

FIG. 9 is a front side elevation view of FIG. 7.

FIG. 10 is a left side elevation view of FIG. 7.

FIG. 11 is a right side elevation view of FIG. 7.

FIG. 12 is top plan view of FIG. 7.

FIG. 13 is a front isometric view of our new design for an observation tower, it being understood that this is the same as the embodiment of FIG. 1 other than the disclaimed areas, all other surfaces are the same as FIG. 1.

FIG. 14 is a back side elevation view of FIG. 13.

FIG. 15 is a front side elevation view of FIG. 13.

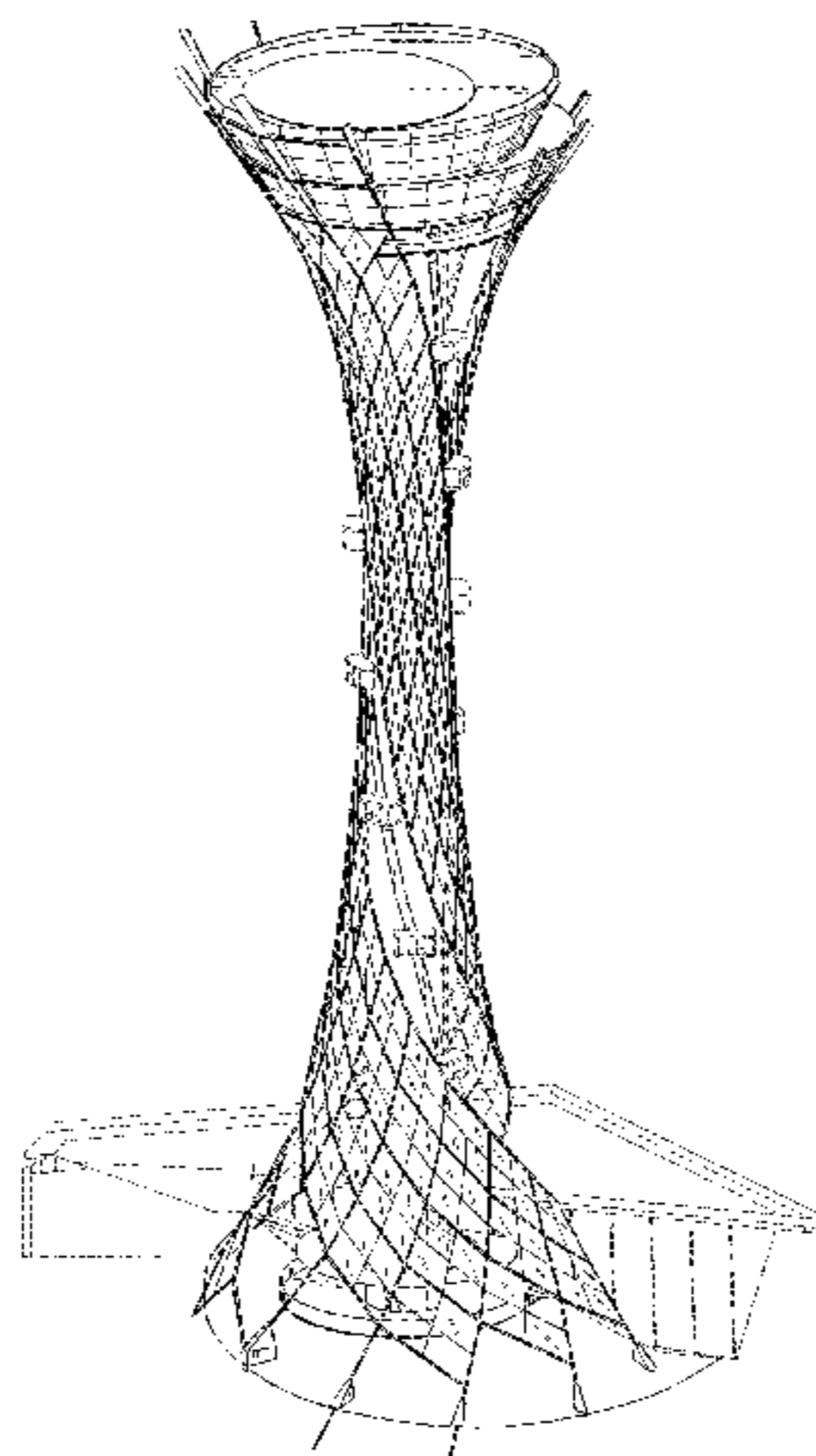
FIG. 16 is a left side elevation view of FIG. 13.

FIG. 17 is a right side elevation view of FIG. 13; and,

FIG. 18 is top plan view of FIG. 13.

Elements in evenly spaced broken lines depict environment and form no part of the claimed design. Dot-dash broken lines depict an unclaimed boundary.

**1 Claim, 18 Drawing Sheets**



(56)

References Cited

U.S. PATENT DOCUMENTS

944,407 A 12/1909 Beebe  
 973,921 A 10/1910 Dodge  
 2,128,492 A 4/1937 Mena  
 D197,765 S \* 3/1964 Lott ..... 52/236.3  
 3,125,189 A \* 3/1964 Grahm ..... E04B 1/346  
 52/247  
 D200,465 S \* 3/1965 Rasche ..... 52/236.3  
 D204,245 S \* 4/1966 Hamann ..... D25/31  
 3,440,781 A \* 4/1969 Lott ..... E04B 1/3404  
 52/175  
 3,488,967 A \* 1/1970 Toossi ..... E02B 17/027  
 114/121  
 D218,246 S 8/1970 House  
 D227,448 S \* 6/1973 Rosenblatt ..... D25/32  
 3,922,827 A \* 12/1975 Rosenblatt ..... E04H 5/12  
 52/245  
 4,058,945 A \* 11/1977 Knapp ..... B63B 3/13  
 114/312  
 D250,482 S \* 12/1978 Forstrom ..... D25/22  
 4,155,210 A \* 5/1979 de Leumont ..... E04H 7/20  
 52/236.2  
 D255,138 S \* 5/1980 Sermersheim ..... D21/814  
 D270,949 S \* 10/1983 Denton, Jr. .... D25/6  
 4,627,529 A 12/1986 Tarlton et al.  
 D292,938 S 11/1987 Tarlton et al.  
 D313,298 S 12/1990 Elmas et al.  
 D327,759 S 7/1992 Tarlton  
 5,170,598 A \* 12/1992 Kadar ..... E04B 1/165  
 261/DIG. 11

D342,794 S \* 12/1993 Muenzel ..... D25/6  
 D352,787 S \* 11/1994 Hulse ..... D25/6  
 5,628,690 A 5/1997 Spieldiener et al.  
 D387,875 S \* 12/1997 Pekin ..... D25/1  
 5,893,802 A 4/1999 Bohme  
 D435,666 S \* 12/2000 Barsomian ..... D25/6  
 D482,456 S \* 11/2003 Buhler ..... D25/31  
 6,953,377 B2 10/2005 Quercetti  
 D544,104 S \* 6/2007 Grotbeck ..... D25/56  
 D594,078 S 6/2009 Giacomoni et al.  
 8,490,549 B2 7/2013 Kitchen  
 9,016,210 B2 4/2015 Kitchen  
 D759,774 S 6/2016 Kitchen et al.  
 2006/0137563 A1 6/2006 Cummins  
 2009/0205264 A1\* 8/2009 Fisher ..... B66B 9/187  
 52/65  
 2014/0373466 A1\* 12/2014 Mockry ..... E04H 5/12  
 52/223.3  
 2015/0224410 A1 8/2015 Kitchen

FOREIGN PATENT DOCUMENTS

FR 2599988 12/1987  
 JP 2002-143569 5/2002  
 JP 2008-188384 8/2008

OTHER PUBLICATIONS

Pending U.S. Appl. No. 15/034,504, filed May 4, 2016, inventor Kitchen.

\* cited by examiner

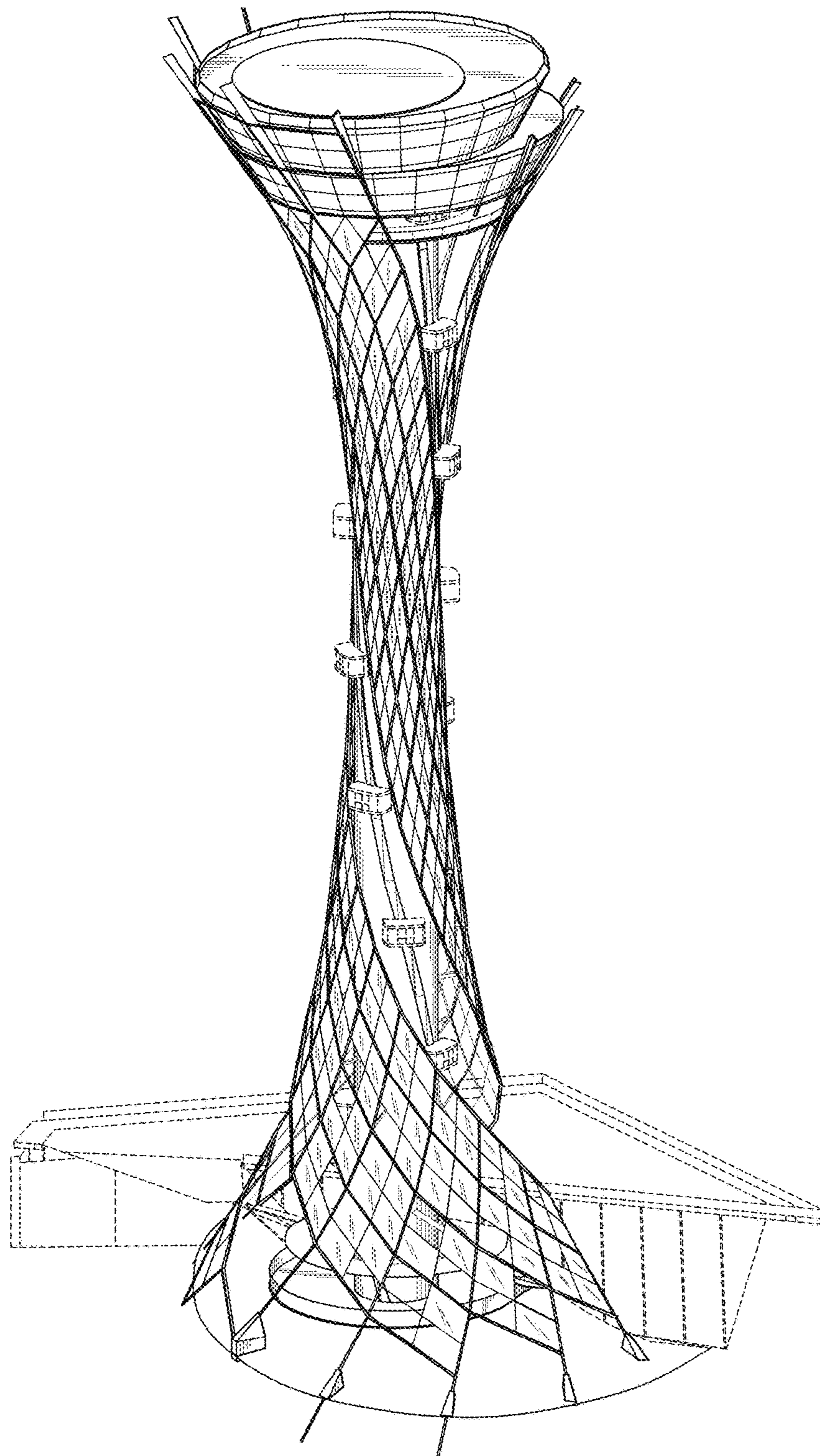


FIG. 1



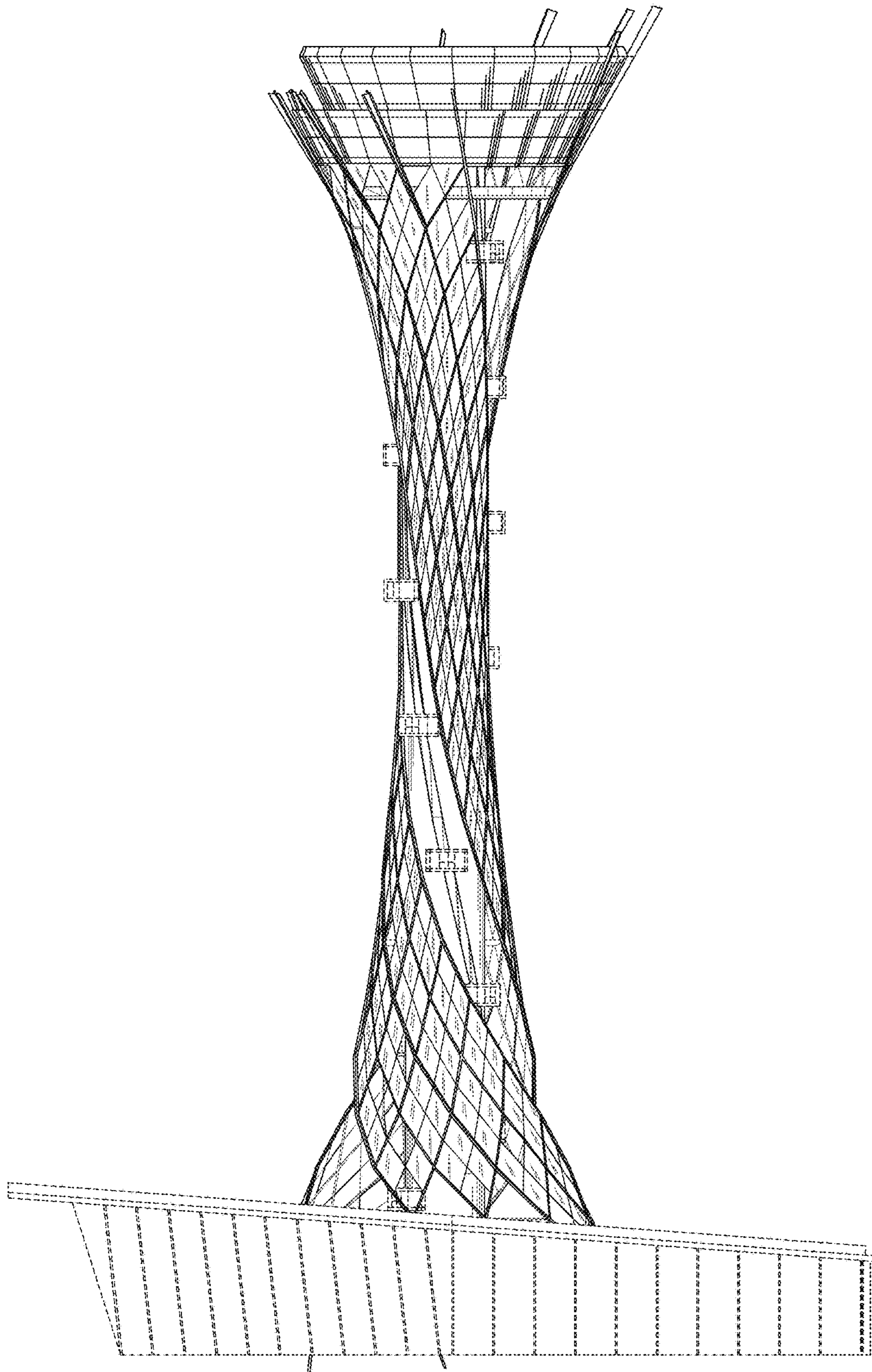


FIG. 2

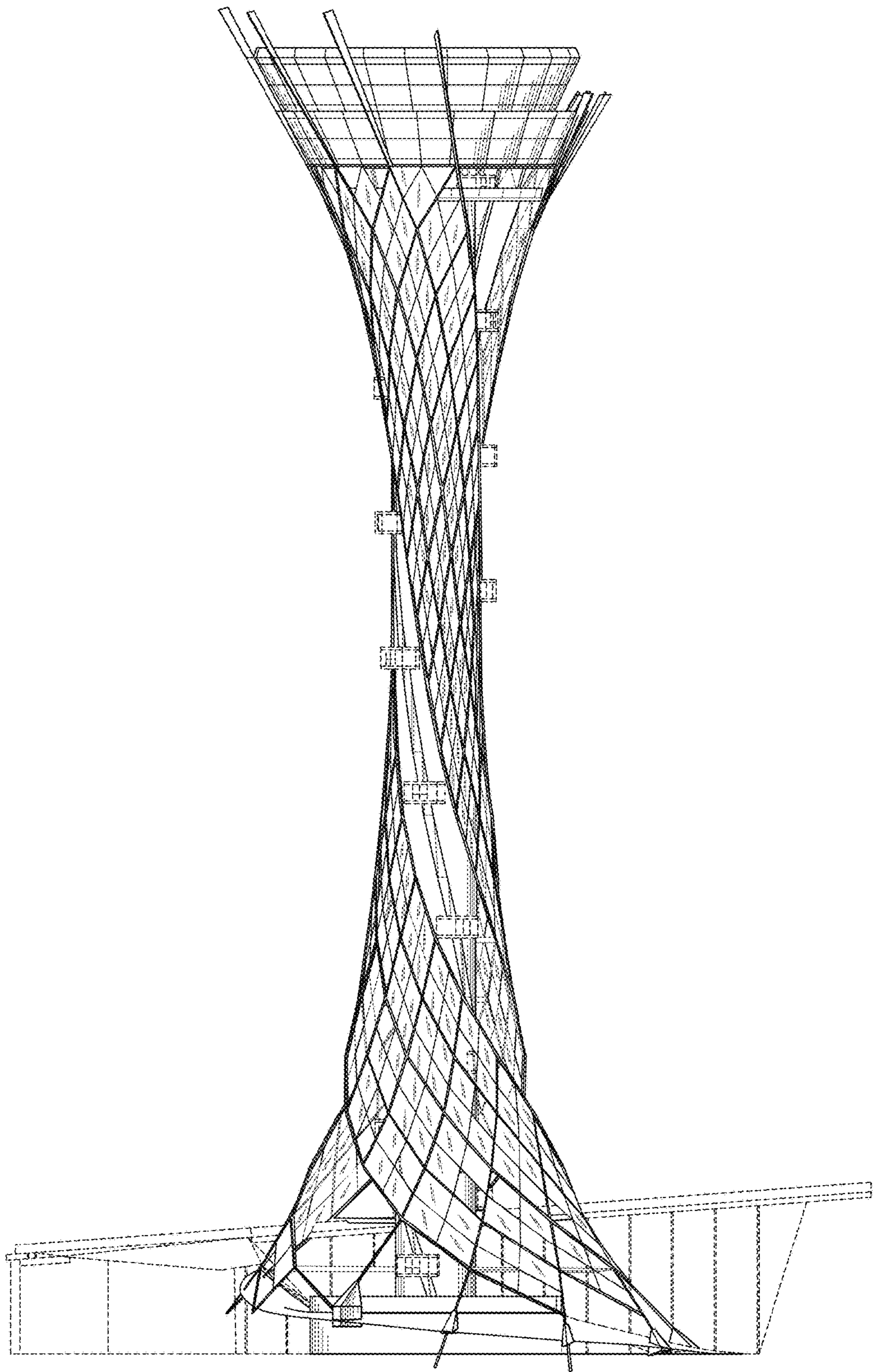


FIG.3



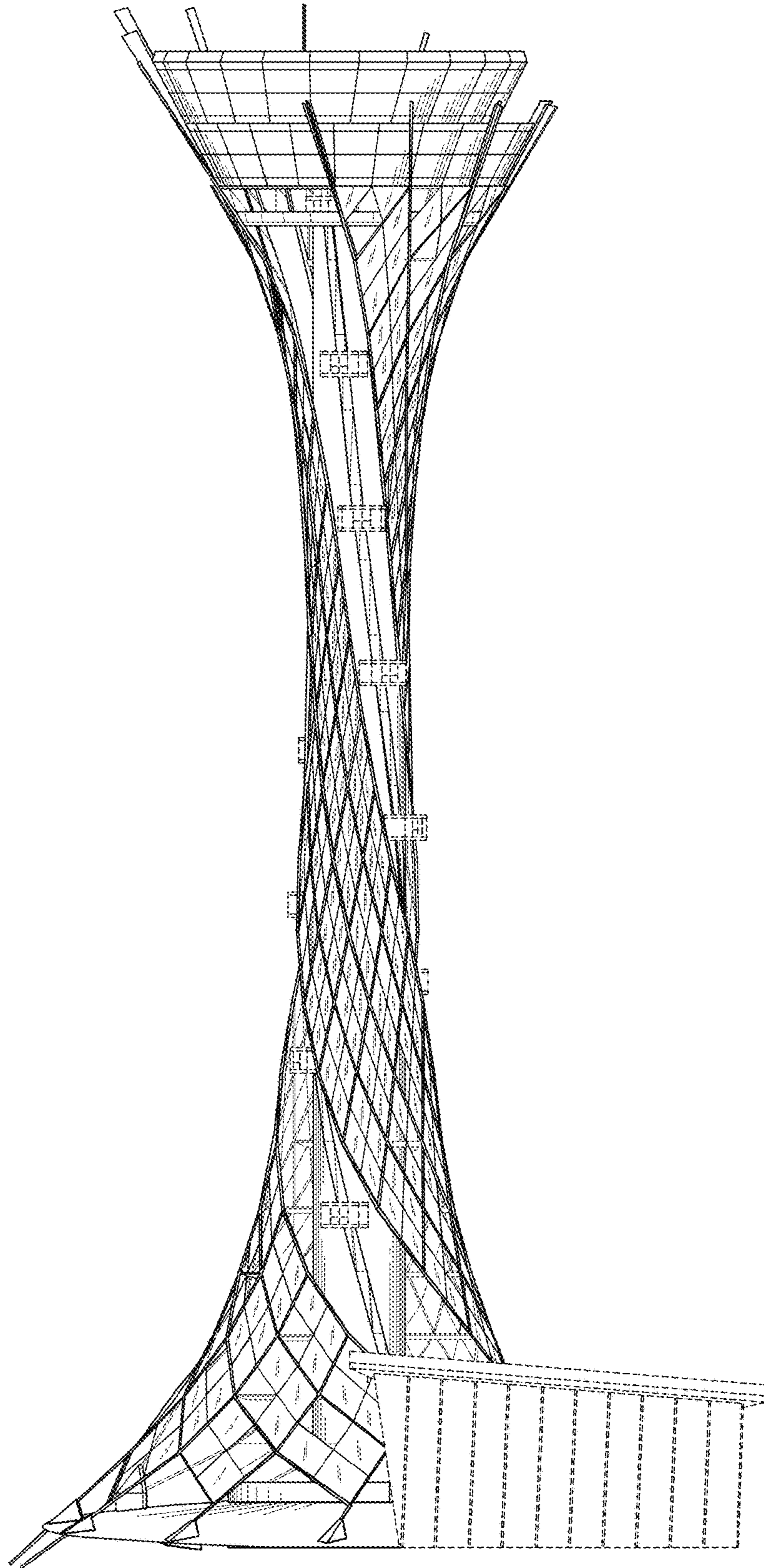


FIG.4

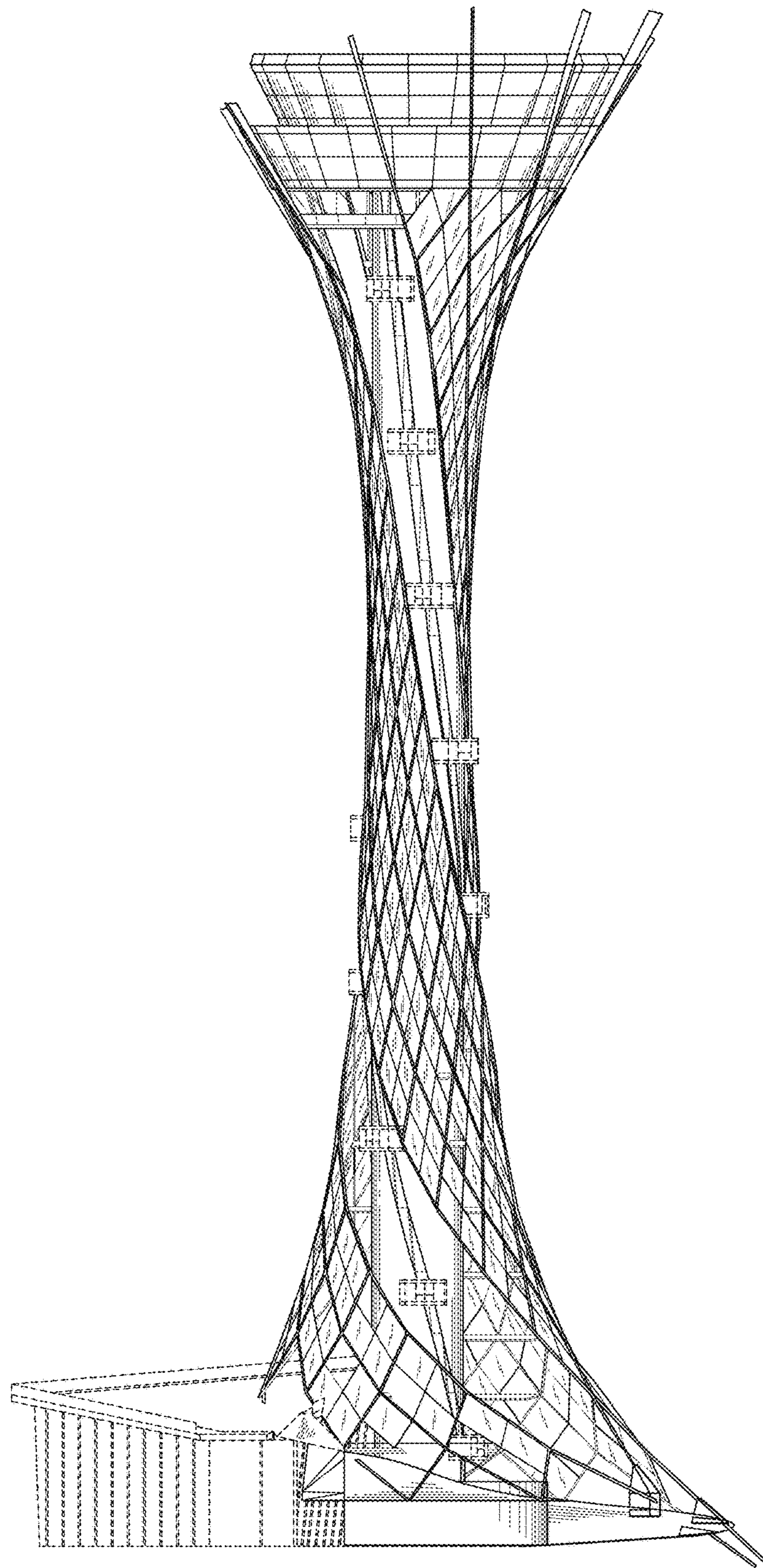


FIG. 5

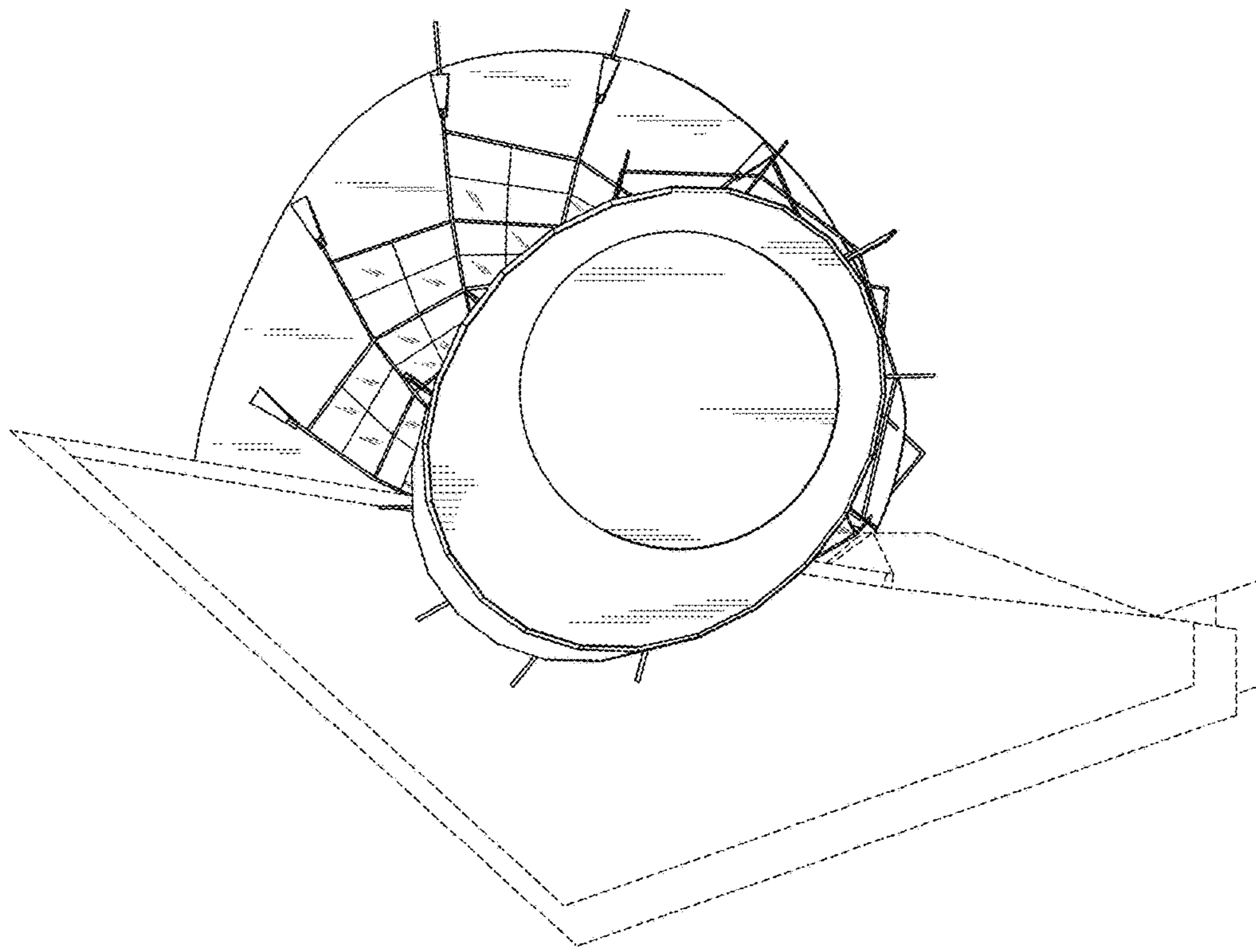


FIG. 6



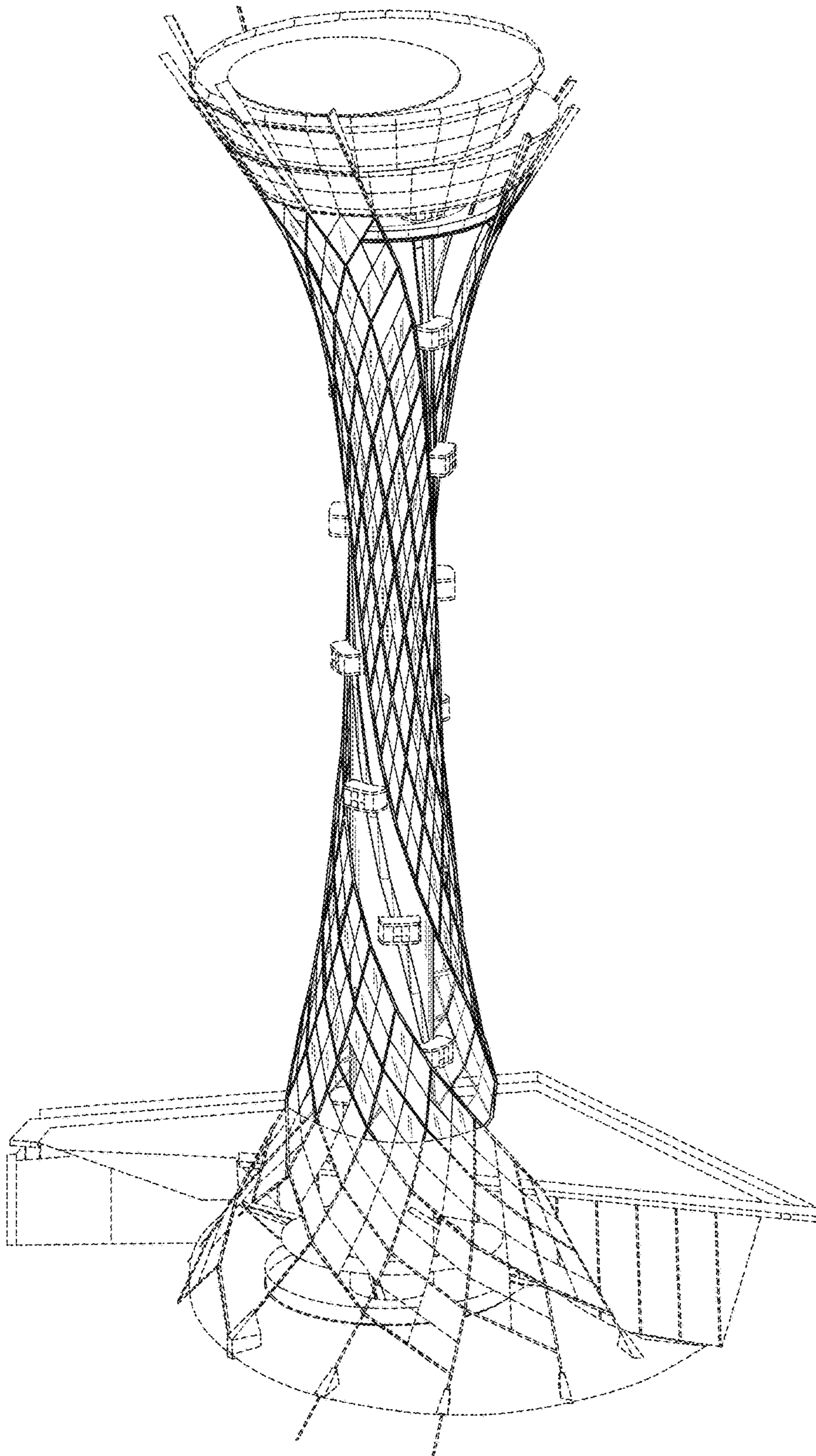


FIG.7

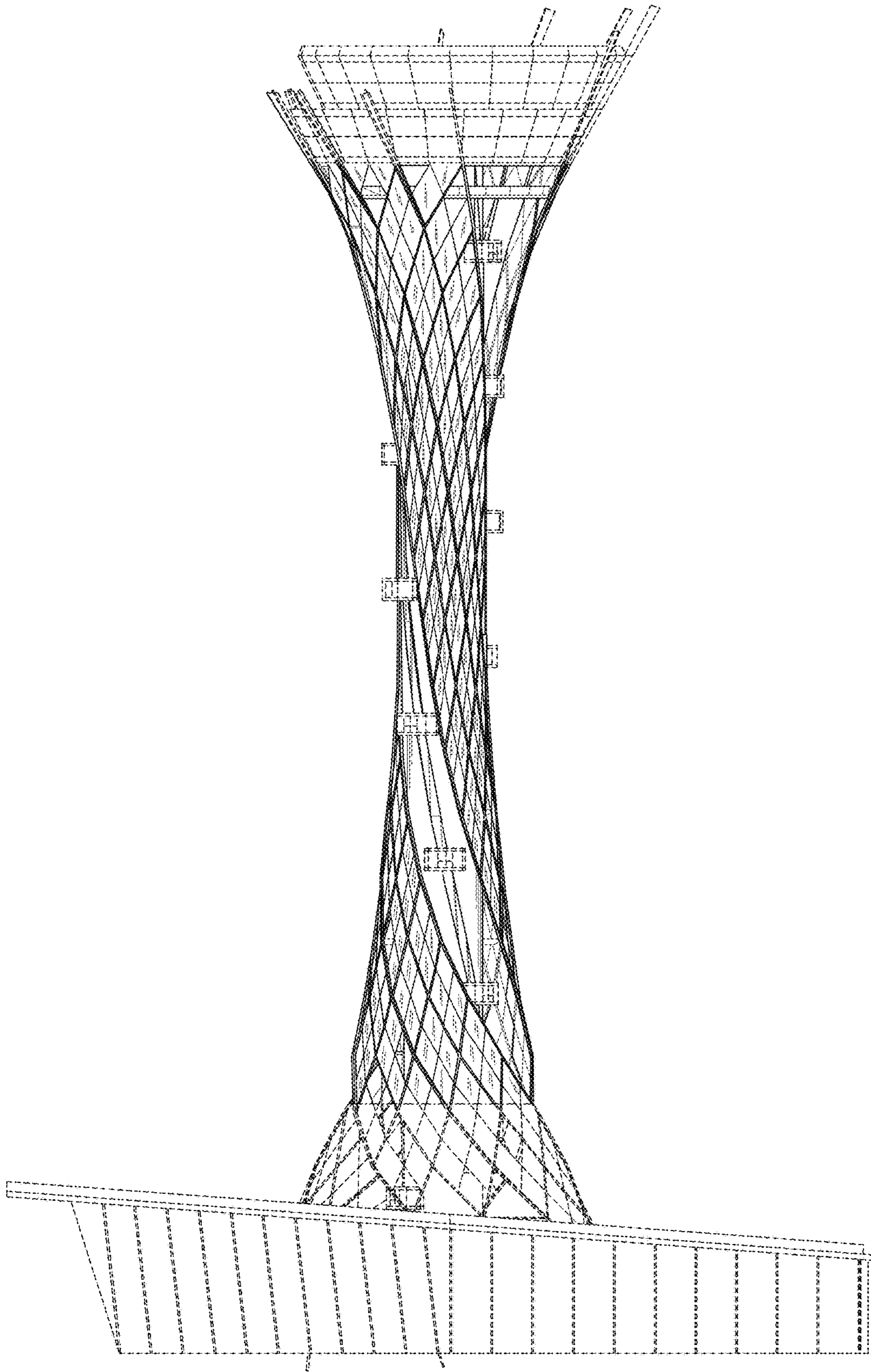


FIG.8



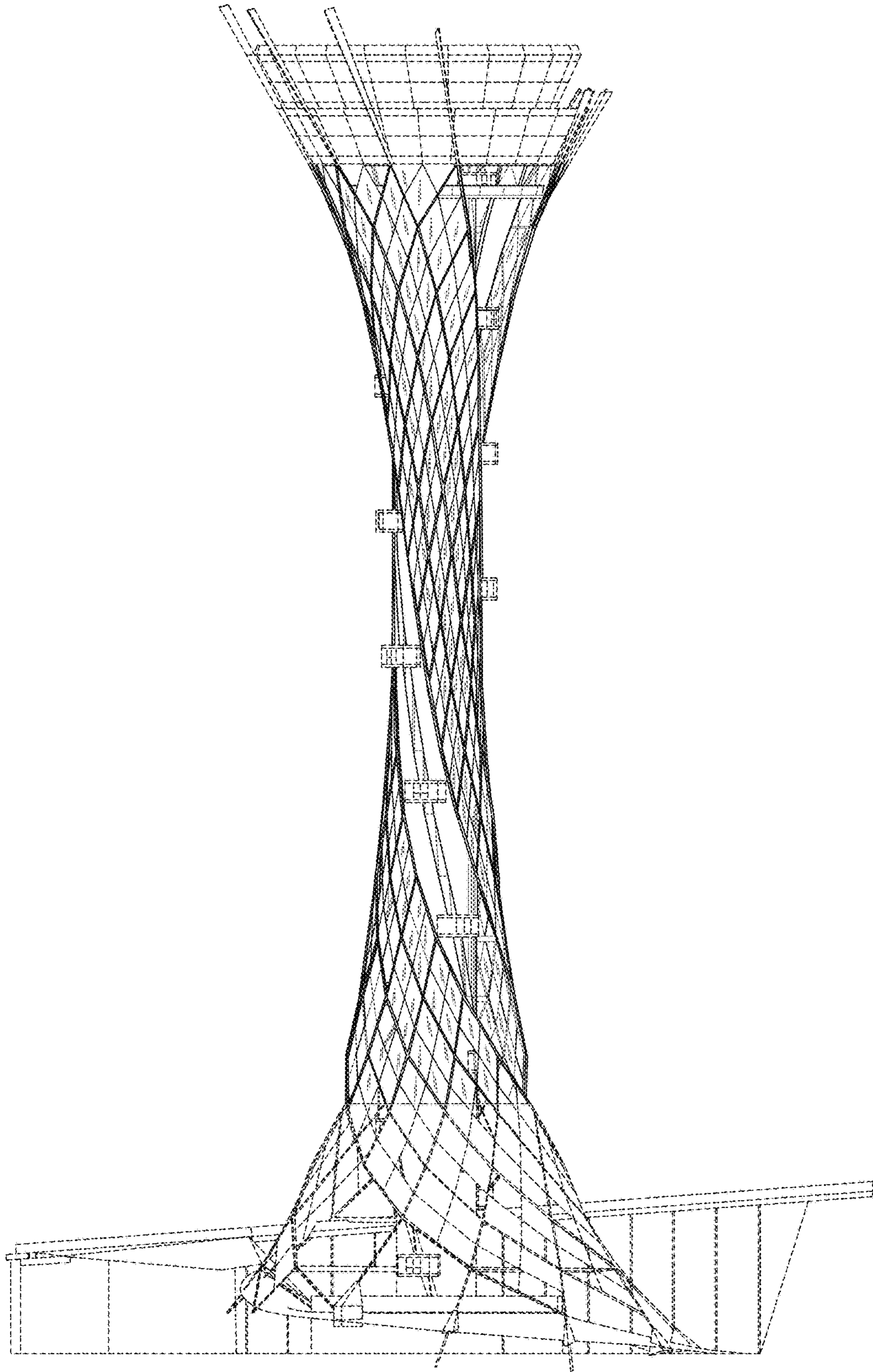


FIG.9



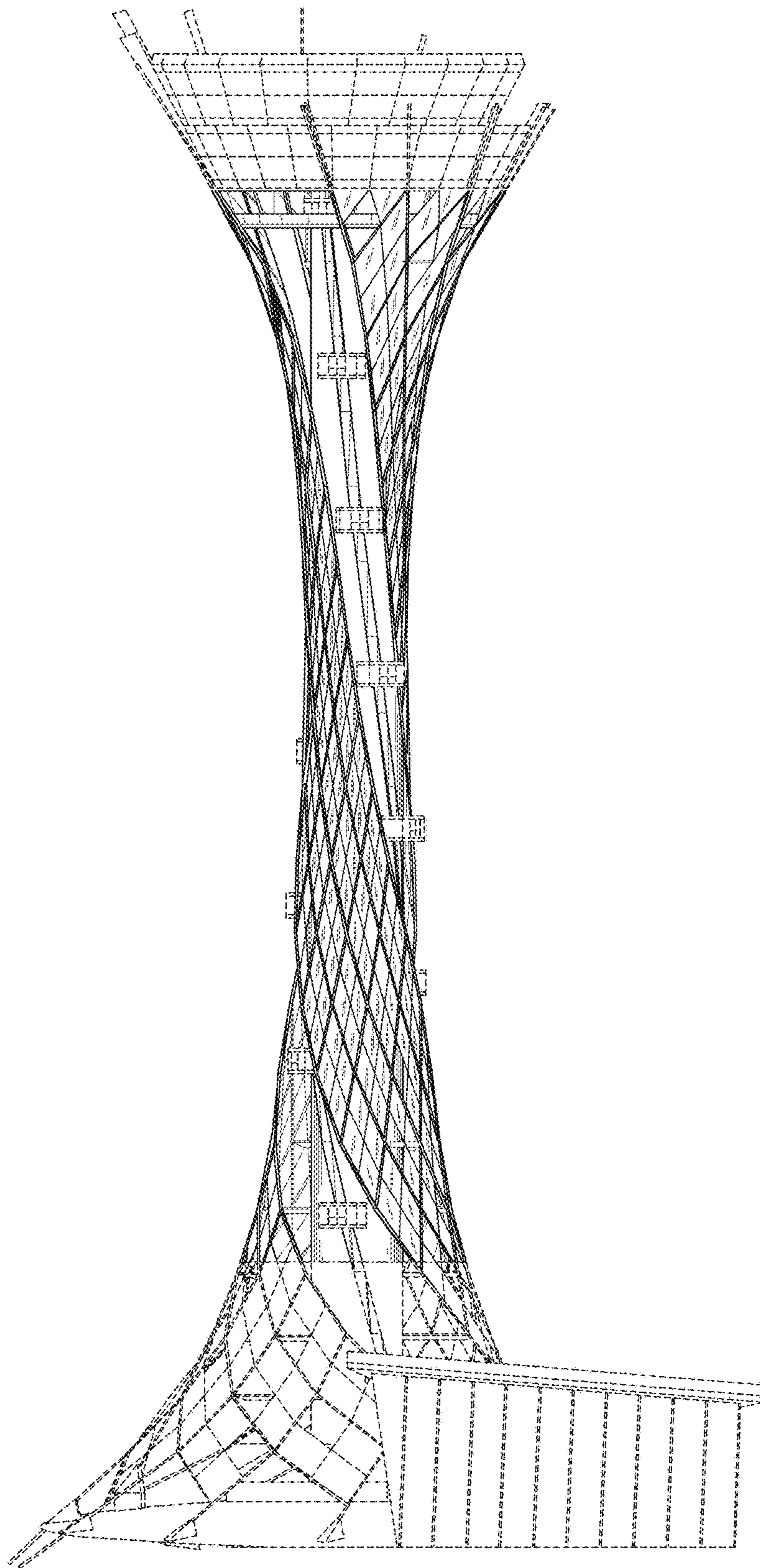


FIG. 10

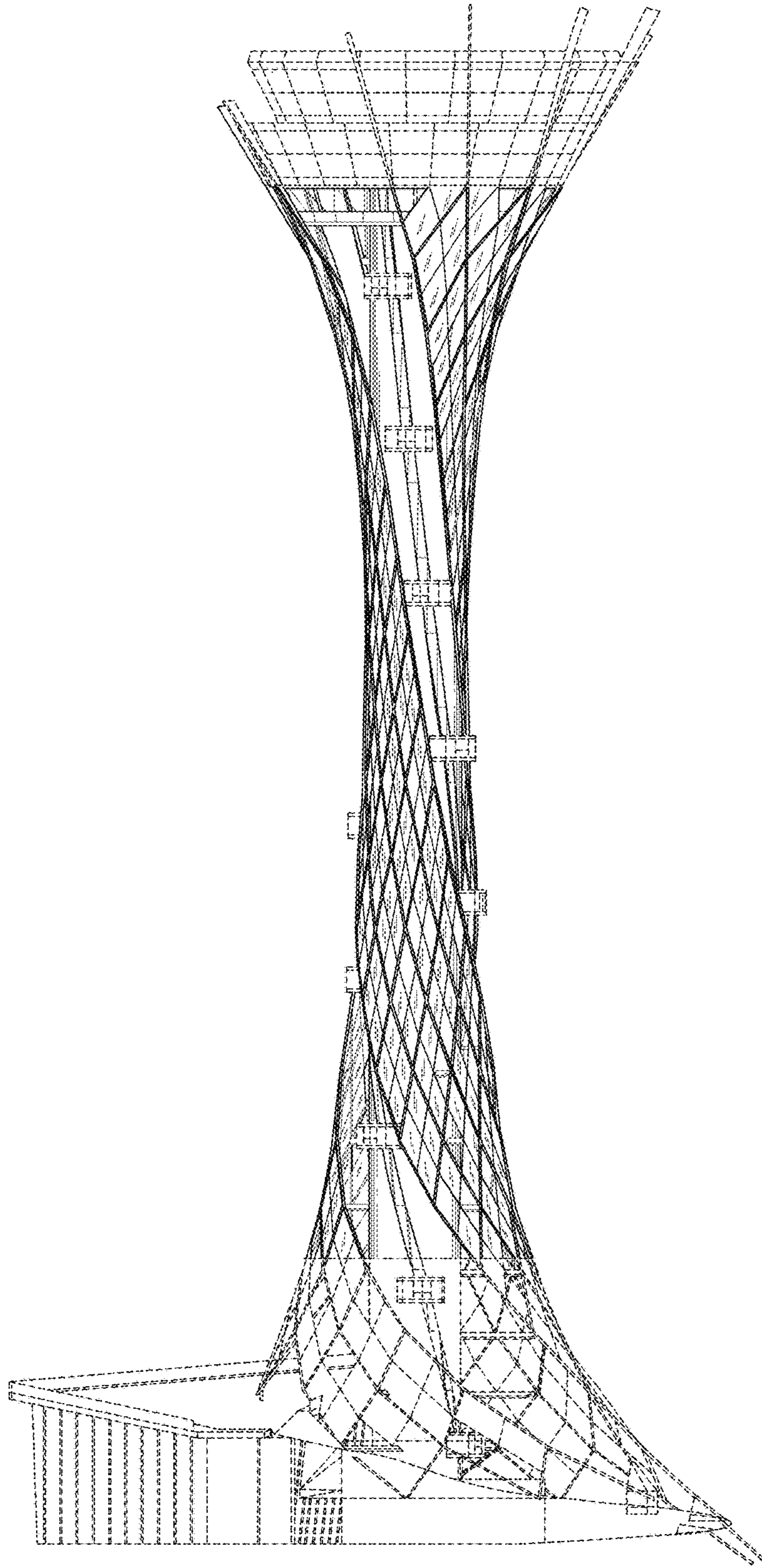


FIG.11

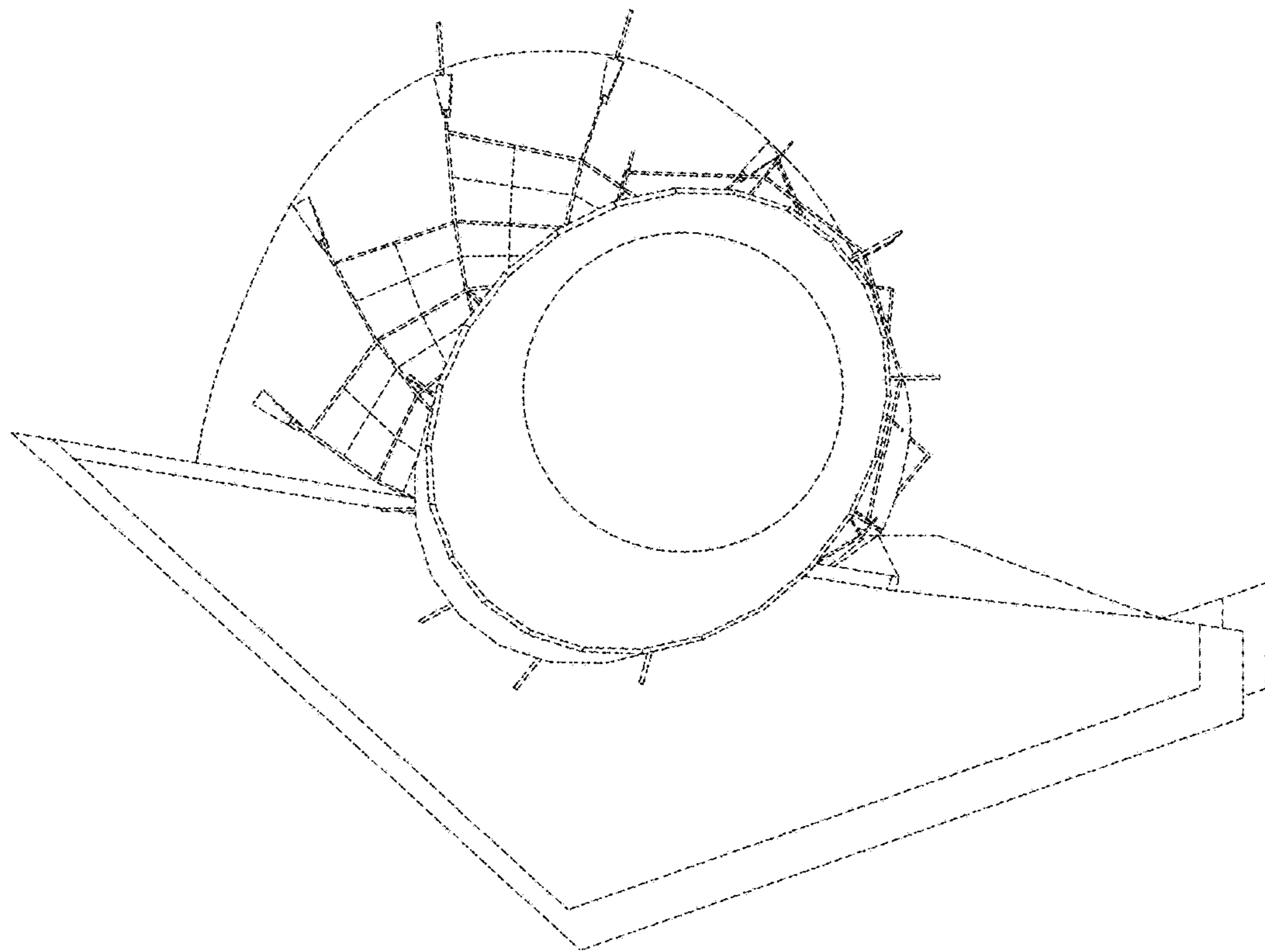


FIG.12



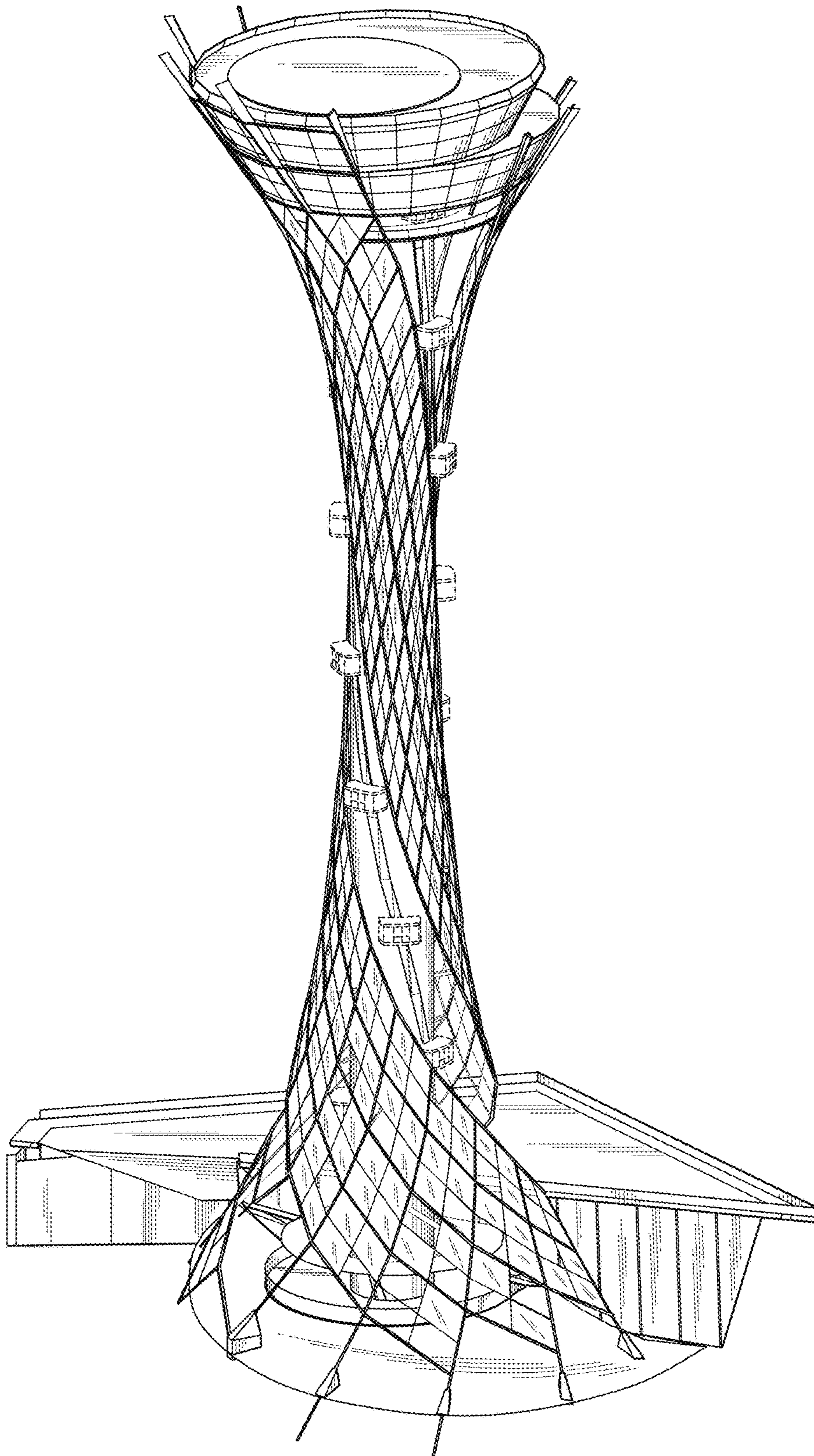


FIG.13

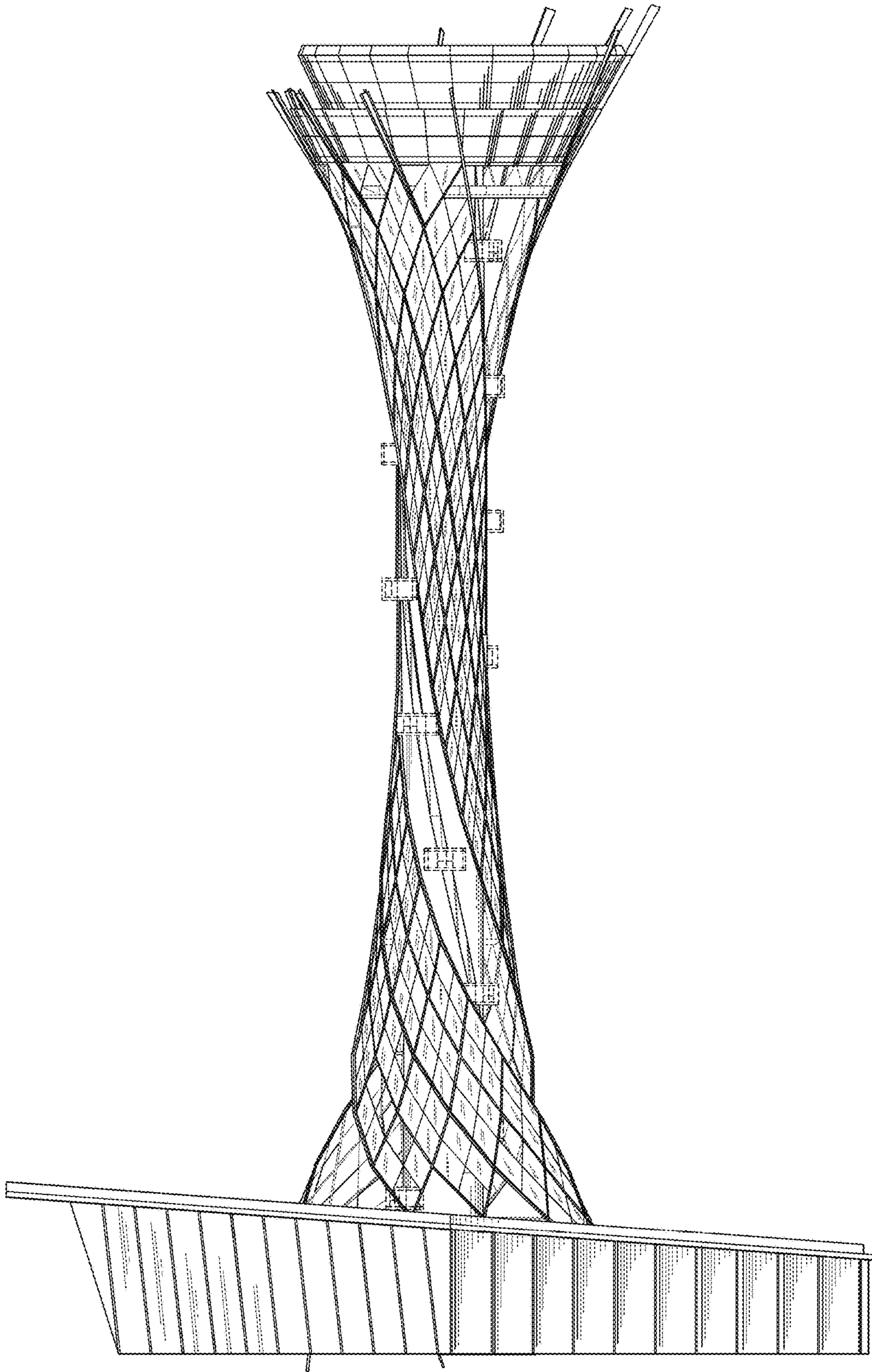


FIG.14



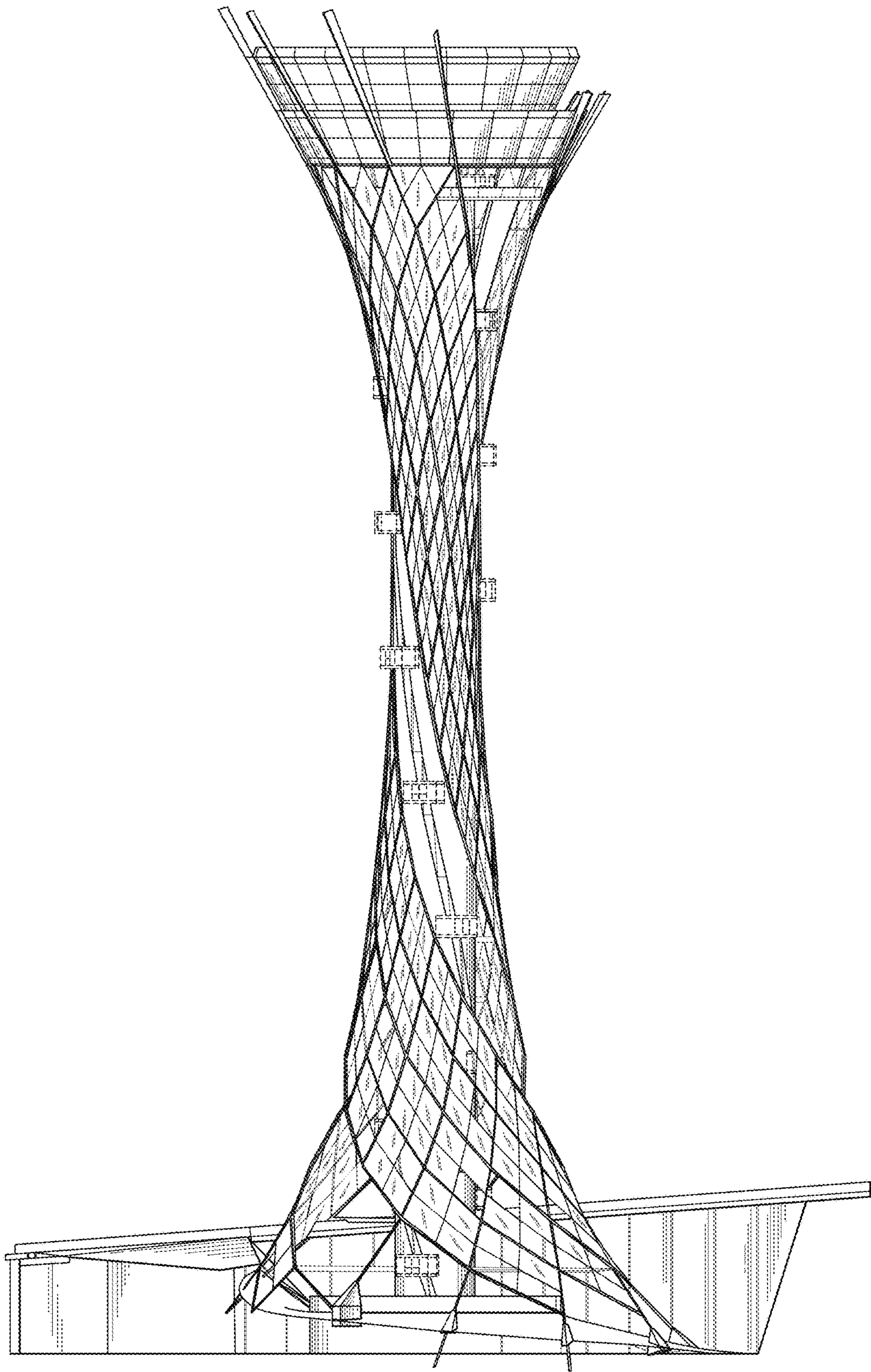


FIG.15



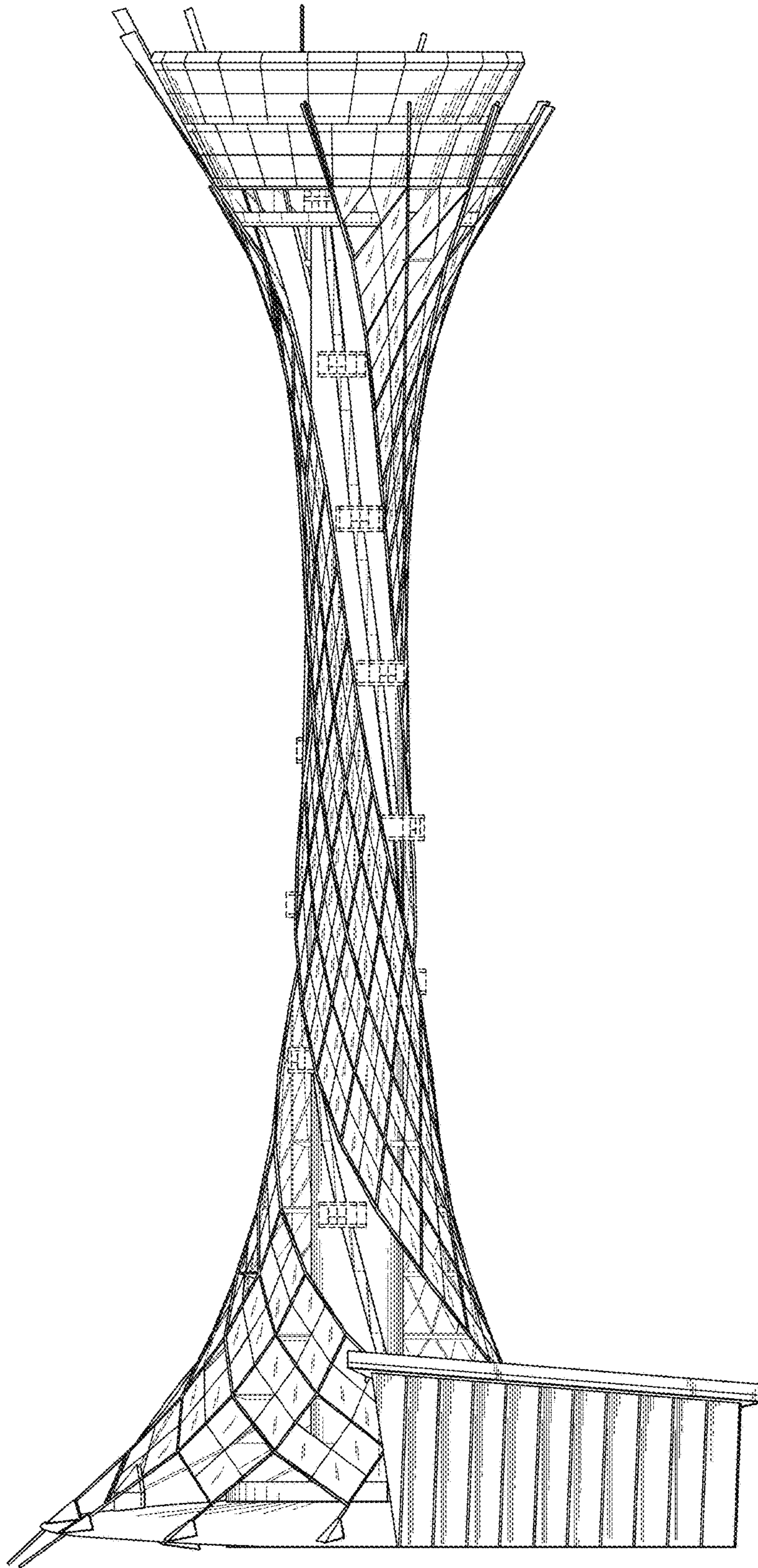


FIG.16

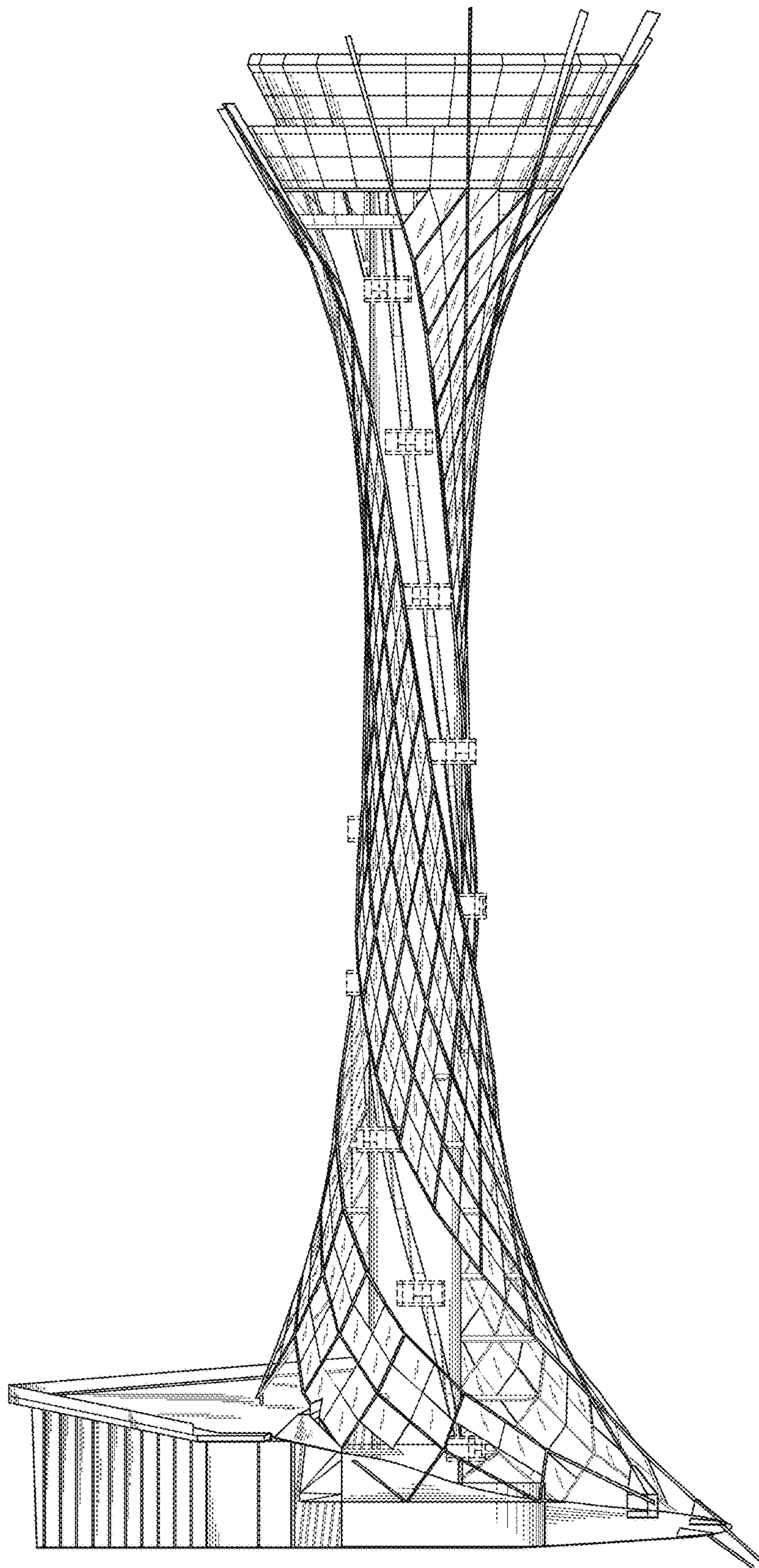


FIG. 17

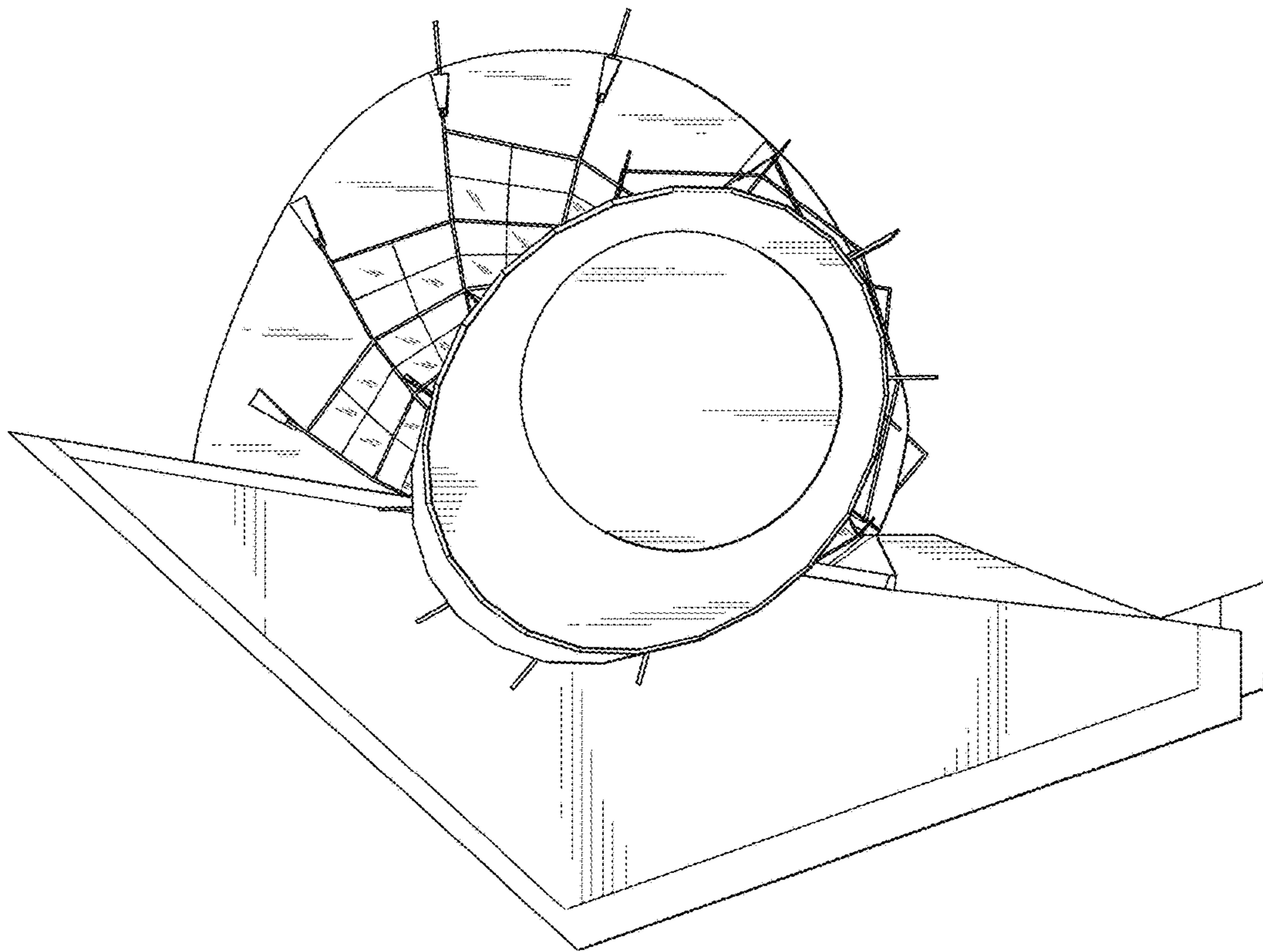


FIG.18