



US00D806261S

(12) **United States Design Patent** (10) **Patent No.:** **US D806,261 S**  
**Azoulay et al.** (45) **Date of Patent:** **\*\* Dec. 26, 2017**

(54) **MEDICATION PACKAGING PREPARATION DEVICE**

(71) Applicant: **McKesson Canada Corporation**,  
Saint-Laurent (CA)

(72) Inventors: **Xavier Azoulay**, Saint-Philippe (CA);  
**Mélanie Richard**, Pincourt (CA); **Steve Fontaine**,  
Saint-Laurent (CA); **Francois Gelin**, Terrebonne (CA)

(73) Assignee: **McKesson Financial Holdings Unlimited Company**,  
Hamilton (BM)

(\*\*) Term: **15 Years**

(21) Appl. No.: **29/559,778**

(22) Filed: **Mar. 31, 2016**

(51) **LOC (10) Cl.** ..... **24-00**

(52) **U.S. Cl.**  
USPC ..... **D24/231**

(58) **Field of Classification Search**  
USPC ..... D24/231, 226, 229, 118, 111; D10/40;  
206/531, 457, 534, 459.5, 459.1;  
215/230, 15; 368/10; 116/308, 227, 309;  
604/131; 222/36  
CPC .... B65D 83/0445; B65D 23/14; B65D 51/24;  
A61J 1/03; A61J 7/0481; A61J 7/04;  
A61B 5/14532; A61F 9/0026; G01F  
19/00; G09F 11/23  
See application file for complete search history.

(56) **References Cited**

U.S. PATENT DOCUMENTS

D249,125 S \* 8/1978 Wright ..... D10/40  
4,158,411 A \* 6/1979 Hall ..... B65D 83/0445  
206/531  
4,475,654 A \* 10/1984 Fruchter ..... A61J 1/03  
206/457

4,483,626 A \* 11/1984 Noble ..... A61J 7/0481  
368/10  
D291,120 S \* 7/1987 Schuster ..... D24/226  
4,802,438 A \* 2/1989 DeJonge ..... B65D 23/14  
116/308  
4,877,119 A \* 10/1989 Hosking ..... G01F 19/00  
116/227  
D305,685 S \* 1/1990 Lohman ..... D24/226  
(Continued)

OTHER PUBLICATIONS

Preparation des piluliers[online] [retrieved Apr. 29, 2016].  
Retrieved from the Internet: <URL: <http://www.oreus-pilulier.com/preparations-des-piluliers.asp>>. 1 page.  
(Continued)

*Primary Examiner* — Rhea Shields  
(74) *Attorney, Agent, or Firm* — Alston & Bird LLP

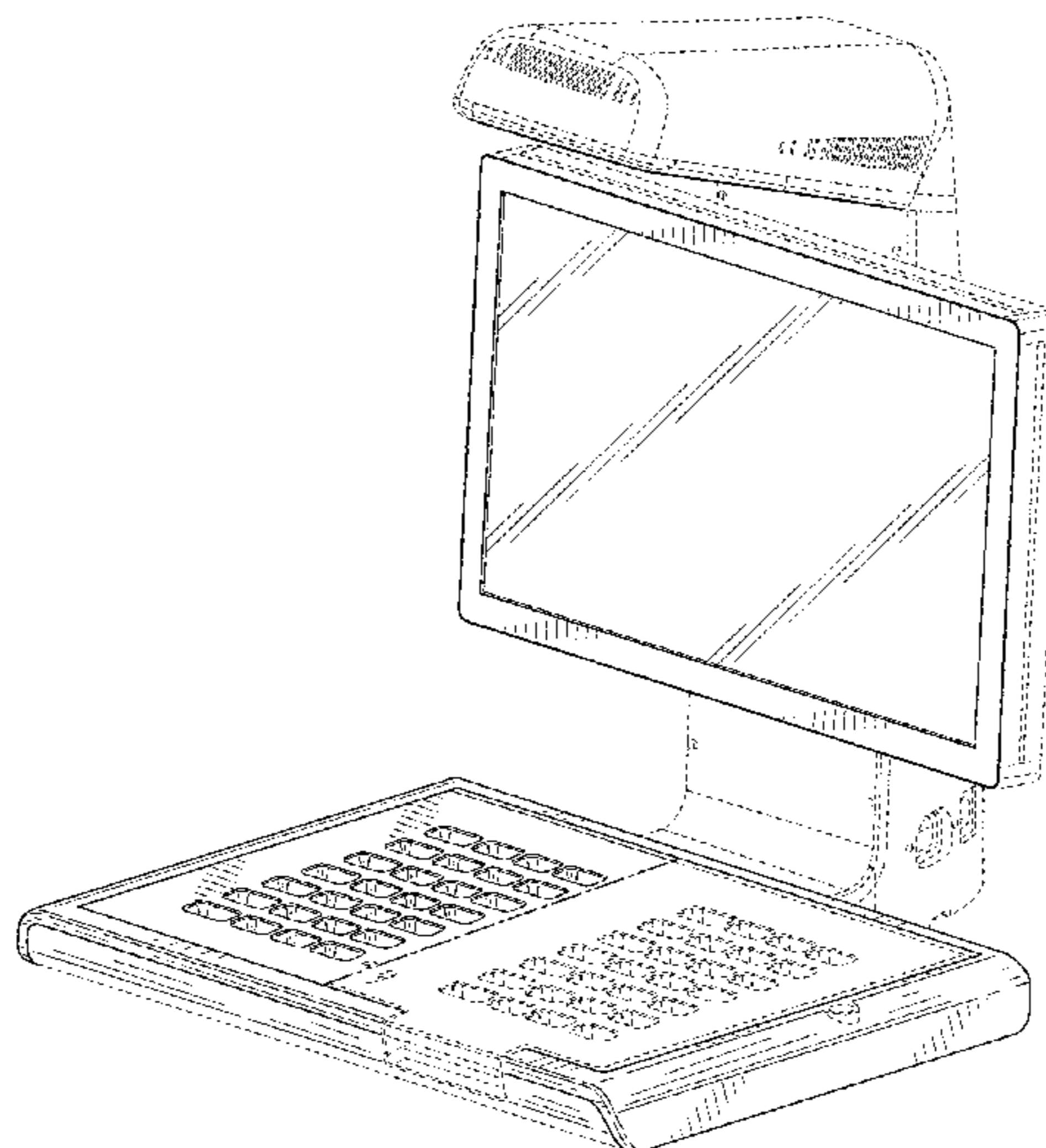
(57) **CLAIM**

The ornamental design for a medication packaging preparation device, as shown and described.

**DESCRIPTION**

FIG. 1 is a perspective view of a medication packaging preparation device showing our new design; FIG. 2 is another perspective view thereof; FIG. 3 is a front elevation view thereof; FIG. 4 is a rear elevation view thereof; FIG. 5 is a left side elevation view thereof; FIG. 6 is a right side elevation view thereof; FIG. 7 is a top plan view thereof; and, FIG. 8 is a bottom plan view thereof. In FIGS. 1 and 7, the dash-dot broken lines immediately adjacent to the shaded areas are for the purpose of illustrating the boundaries of the claimed design. Throughout the drawings the dash-dash broken lines are for the purpose of illustrating environment only and form no part of the claimed design.

**1 Claim, 8 Drawing Sheets**



(56)

References Cited

U.S. PATENT DOCUMENTS

4,962,491 A \* 10/1990 Schaeffer ..... A61J 7/0481  
 221/15  
 D318,119 S \* 7/1991 Dattilo ..... D24/226  
 D324,819 S \* 3/1992 Eisenberg ..... D24/229  
 5,382,243 A \* 1/1995 Mulholland ..... A61F 9/0026  
 222/36  
 5,662,224 A \* 9/1997 Nogues ..... A61J 7/04  
 206/534  
 D422,357 S \* 4/2000 Niedospial, Jr. .... D24/118  
 6,068,149 A \* 5/2000 Telega ..... B65D 51/24  
 116/308  
 6,324,123 B1 \* 11/2001 Durso ..... A61J 7/0481  
 221/15  
 D604,835 S \* 11/2009 Conley ..... D24/111  
 7,946,101 B1 5/2011 McGonagle et al.  
 8,700,210 B2 4/2014 Bufalini et al.  
 2003/0192468 A1 \* 10/2003 Goertzen ..... G09F 11/23  
 116/309  
 2005/0022274 A1 \* 1/2005 Campbell ..... A61B 5/14532  
 604/131  
 2008/0000792 A1 \* 1/2008 Koch ..... A61J 7/04  
 206/459.5  
 2011/0284415 A1 \* 11/2011 Balakier ..... A61J 7/04  
 206/459.1  
 2014/0008319 A1 \* 1/2014 Buxton-Dakides ..... A61J 1/03  
 215/230

OTHER PUBLICATIONS

Presentation Oreus-Multi [online] [retrieved Apr. 29, 2016].  
 Retrieved from the Internet: <URL: <http://www.oreus-pilulier.com/presentation-oreus-multi.asp>>. 1 page.  
 YouTube Synmed Search [online] [retrieved Mar. 18, 2016].  
 Retrieved from the Internet: <URL: <https://www.google.com/search?q=youtube+synmed&oq=youtube+synmed&aqs=chrome..69i57j015.3894j0j7&sourceid=chrome&ie=UTF-8>>. 2 pages.  
 SynMed® Multimed Automation User Story with Benoit Morin, Proxim Pharmacy, Canada [online] [retrieved Mar. 18, 2016].  
 Retrieved from the Internet: <URL: <https://www.youtube.com/watch?v=2R8PB68dASw>>. (dated Apr. 12, 2014) 2 pages.  
 MTS OnDemand Multi-Med [online] [retrieved Mar. 18, 2016].  
 Retrieved from the Internet: <URL: <https://www.youtube.com/watch?v=7q2iZDhqWmw>>. (dated Nov. 23, 2013) 2 pages.  
 SynMed® Automated Medication Distribution System [online] [Retrieved Mar. 18, 2016]. Retrieved from the Internet: <URL: <http://synmedrx.com/en/>>. 7 pages.

\* cited by examiner

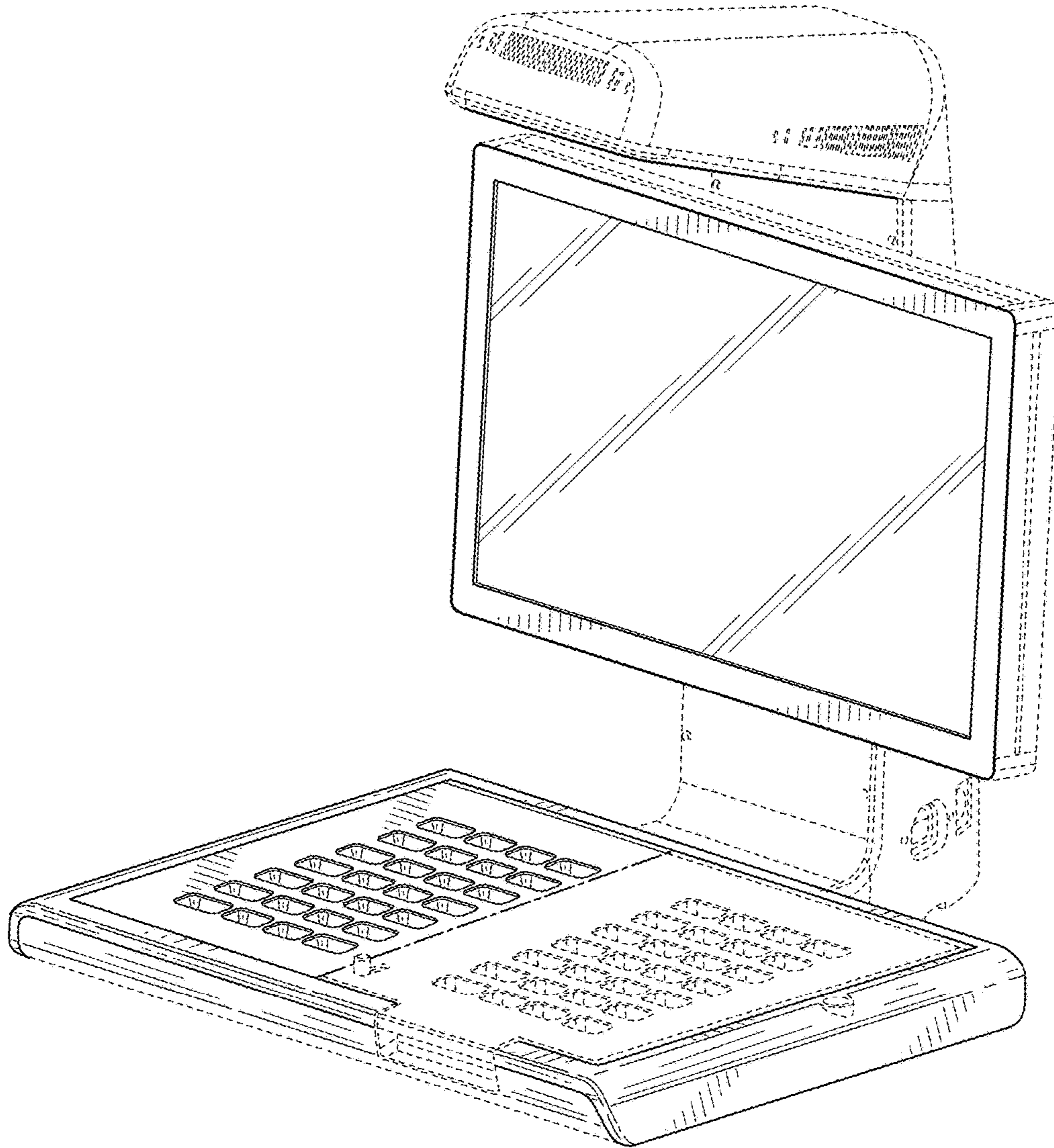


FIG. 1

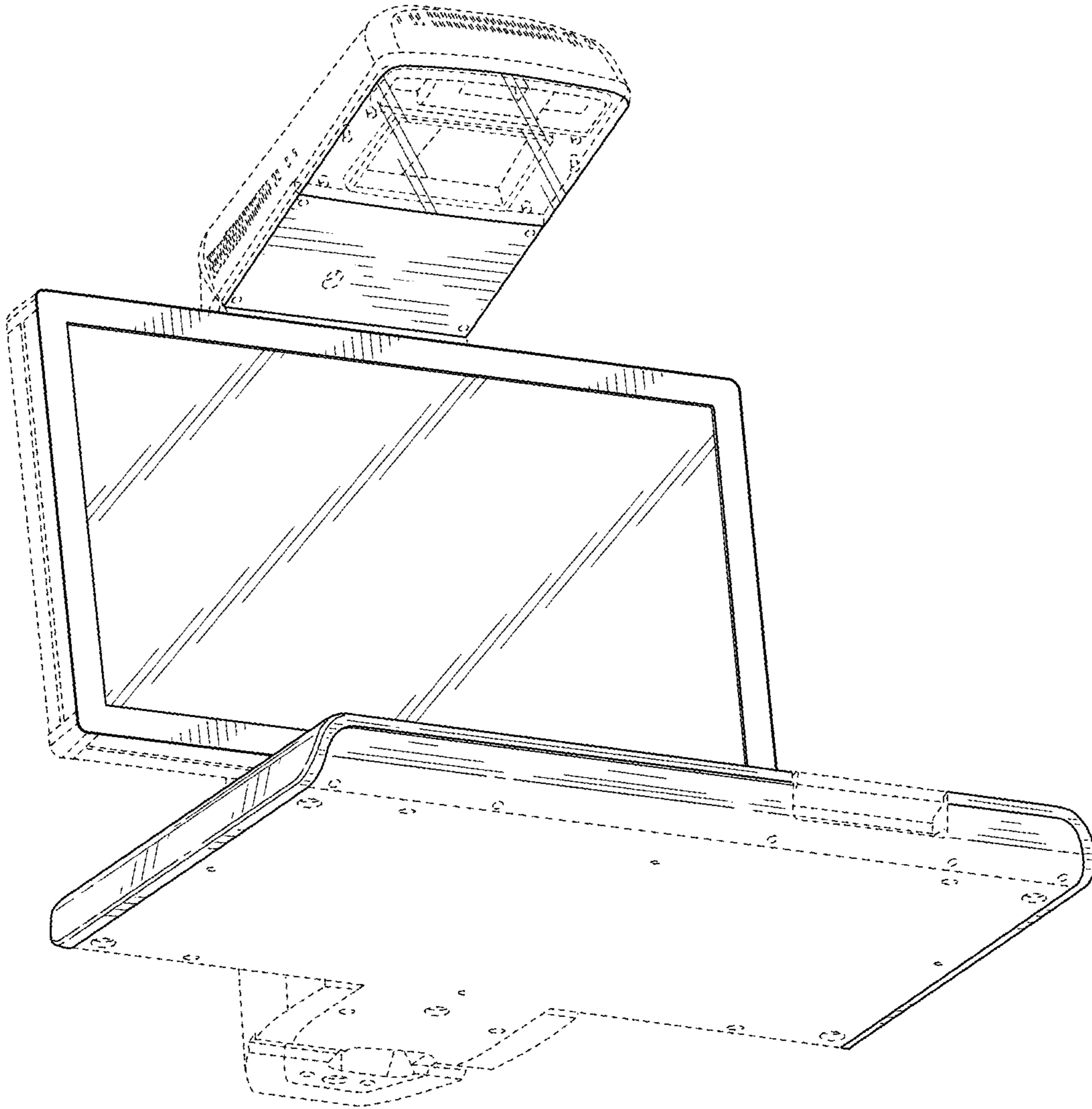


FIG. 2

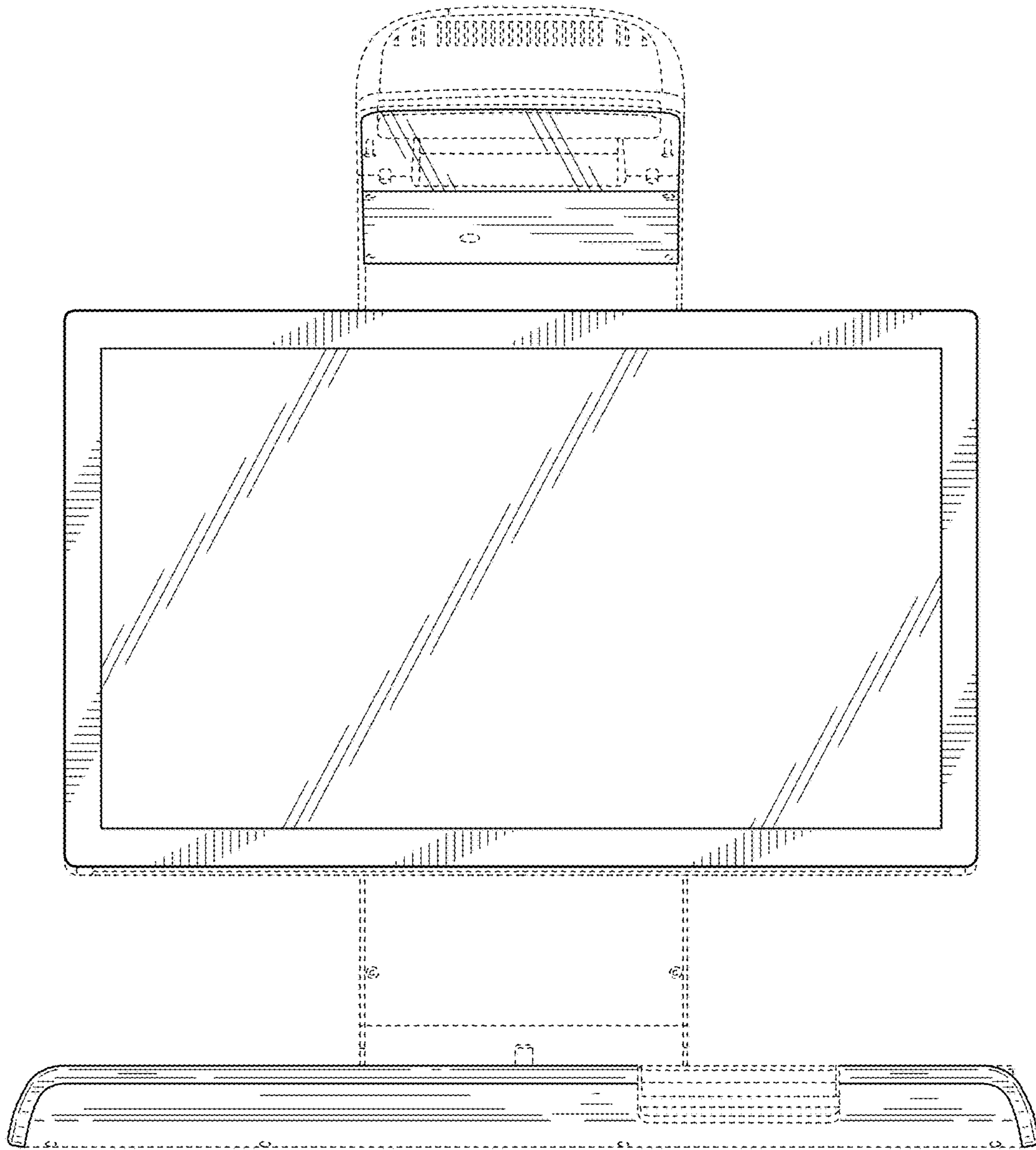


FIG. 3

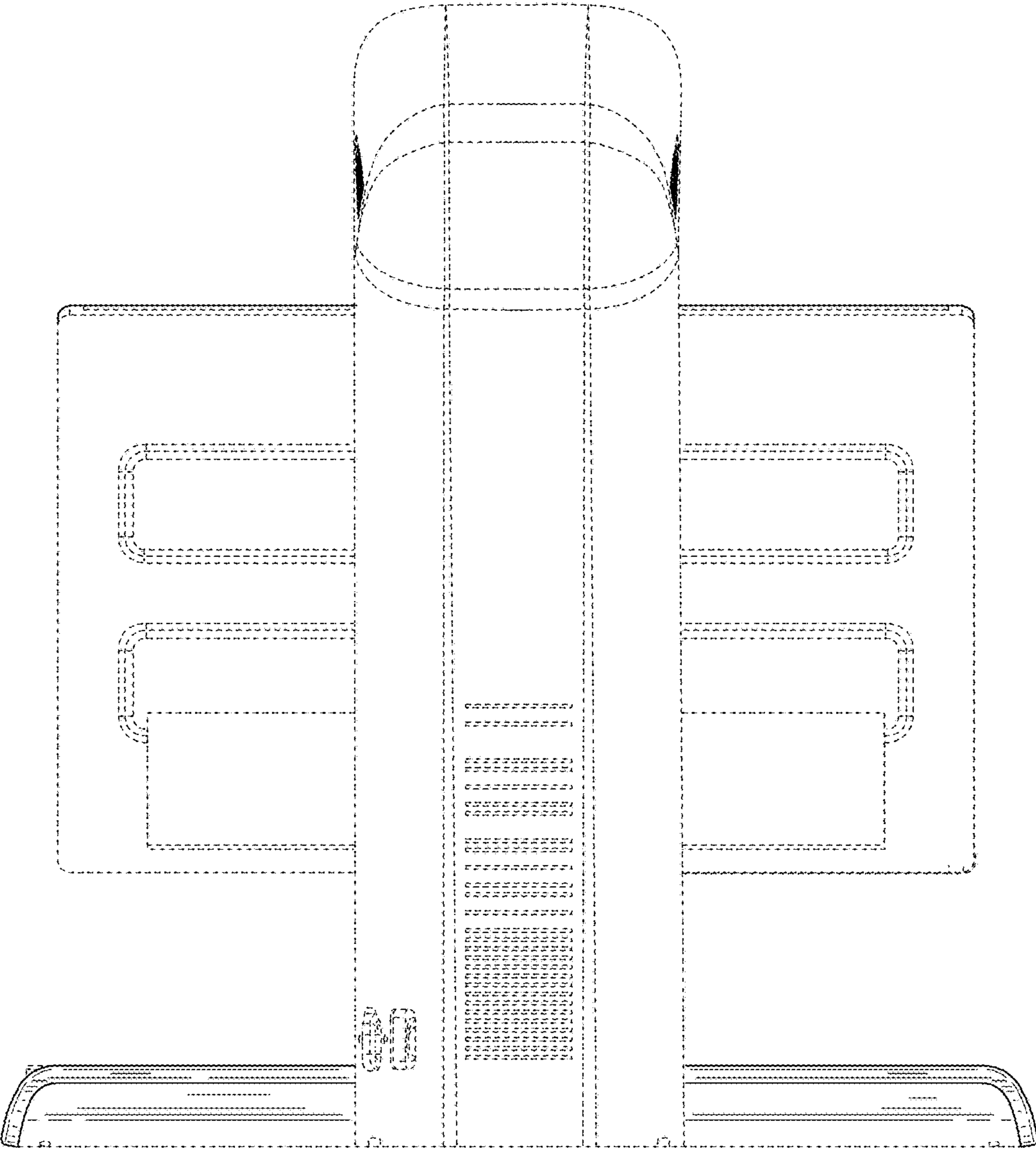


FIG. 4

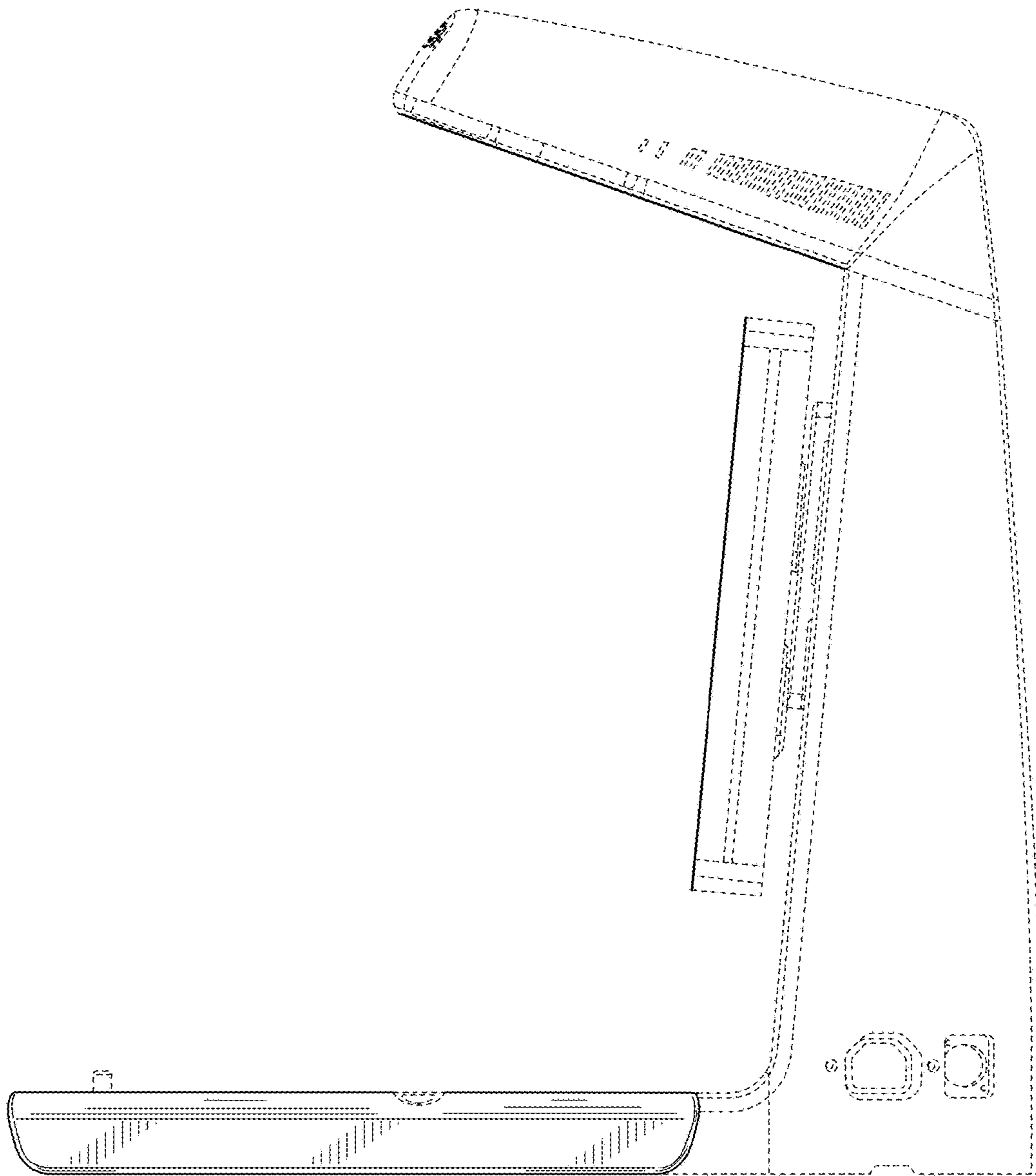


FIG. 5

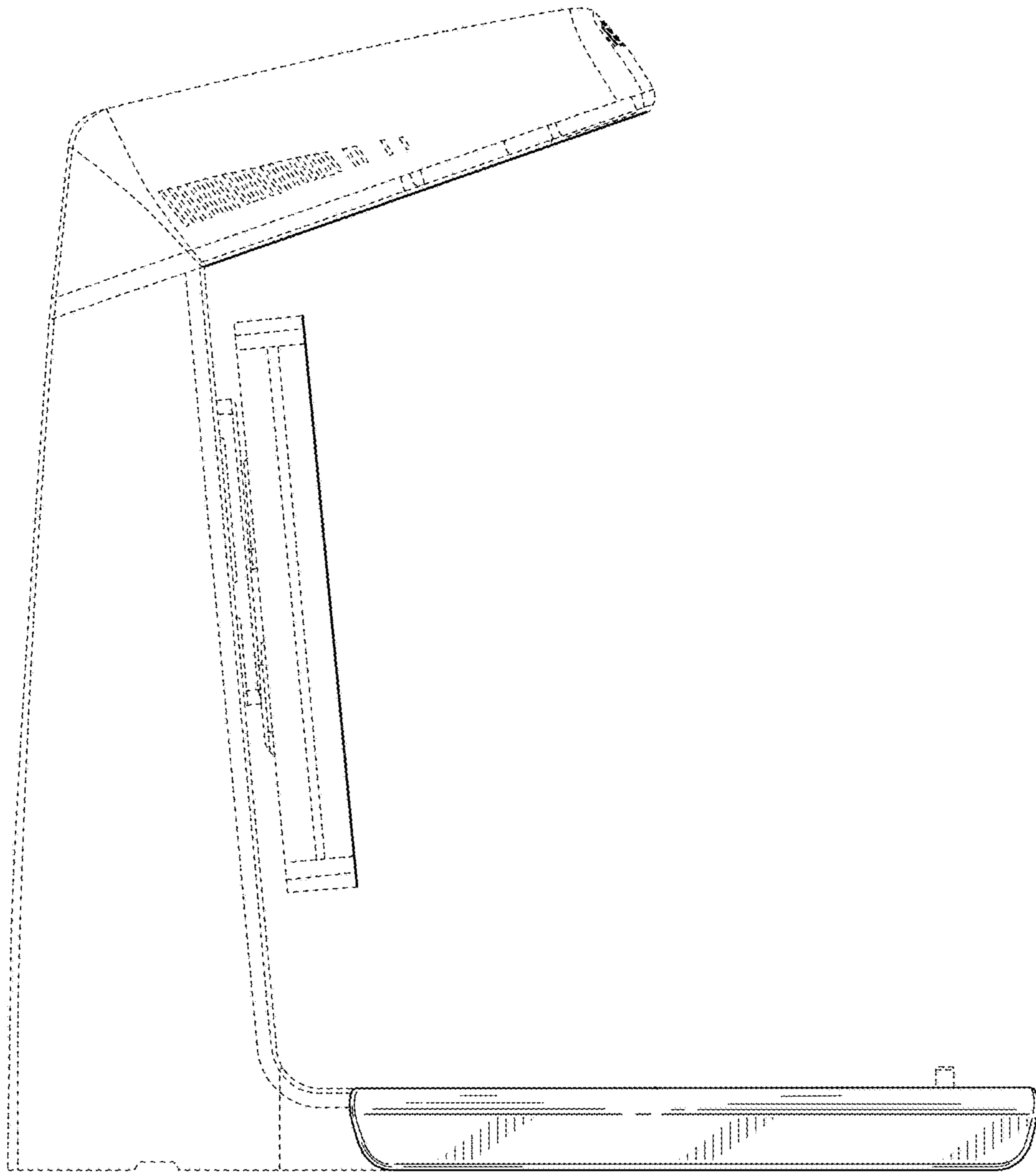


FIG. 6



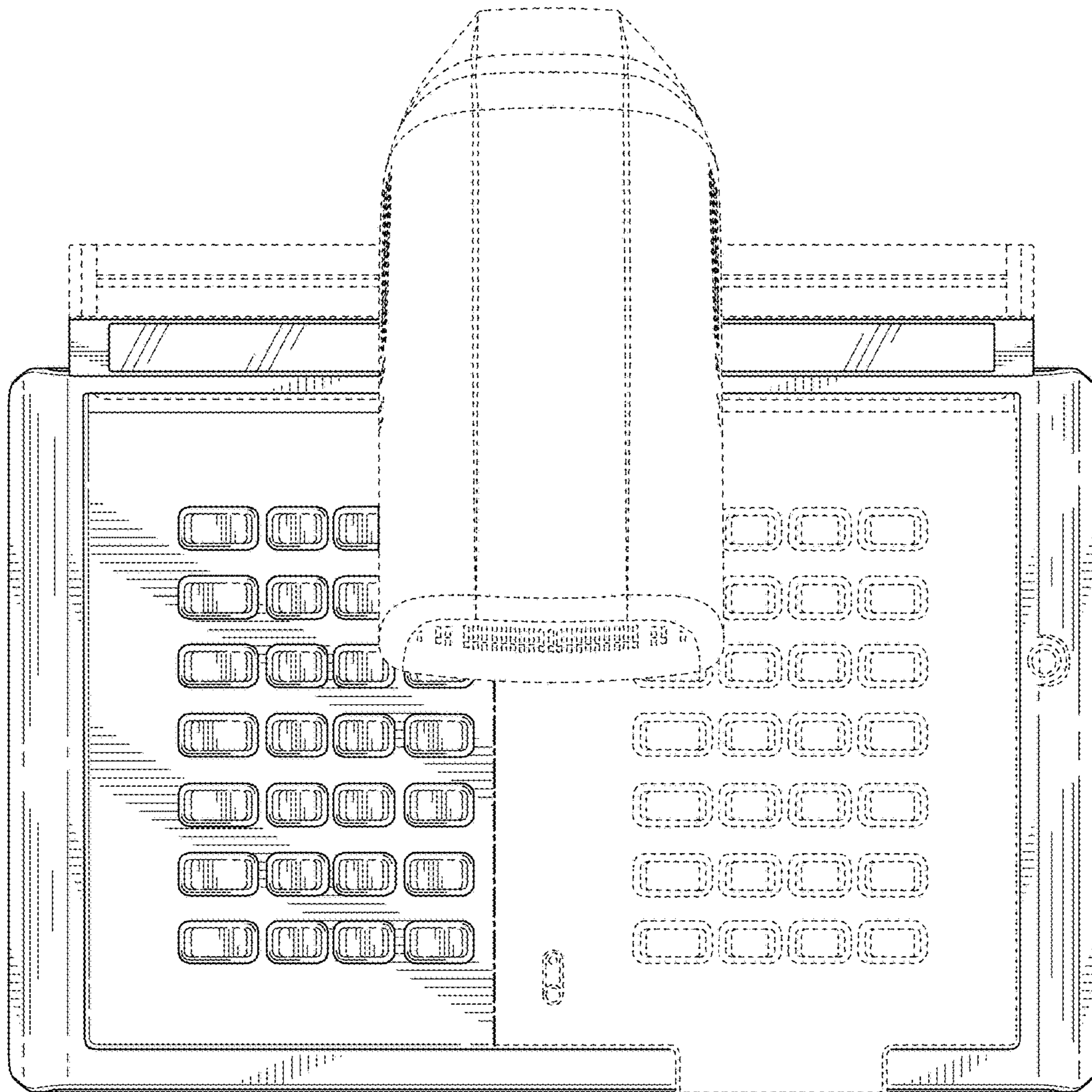


FIG. 7

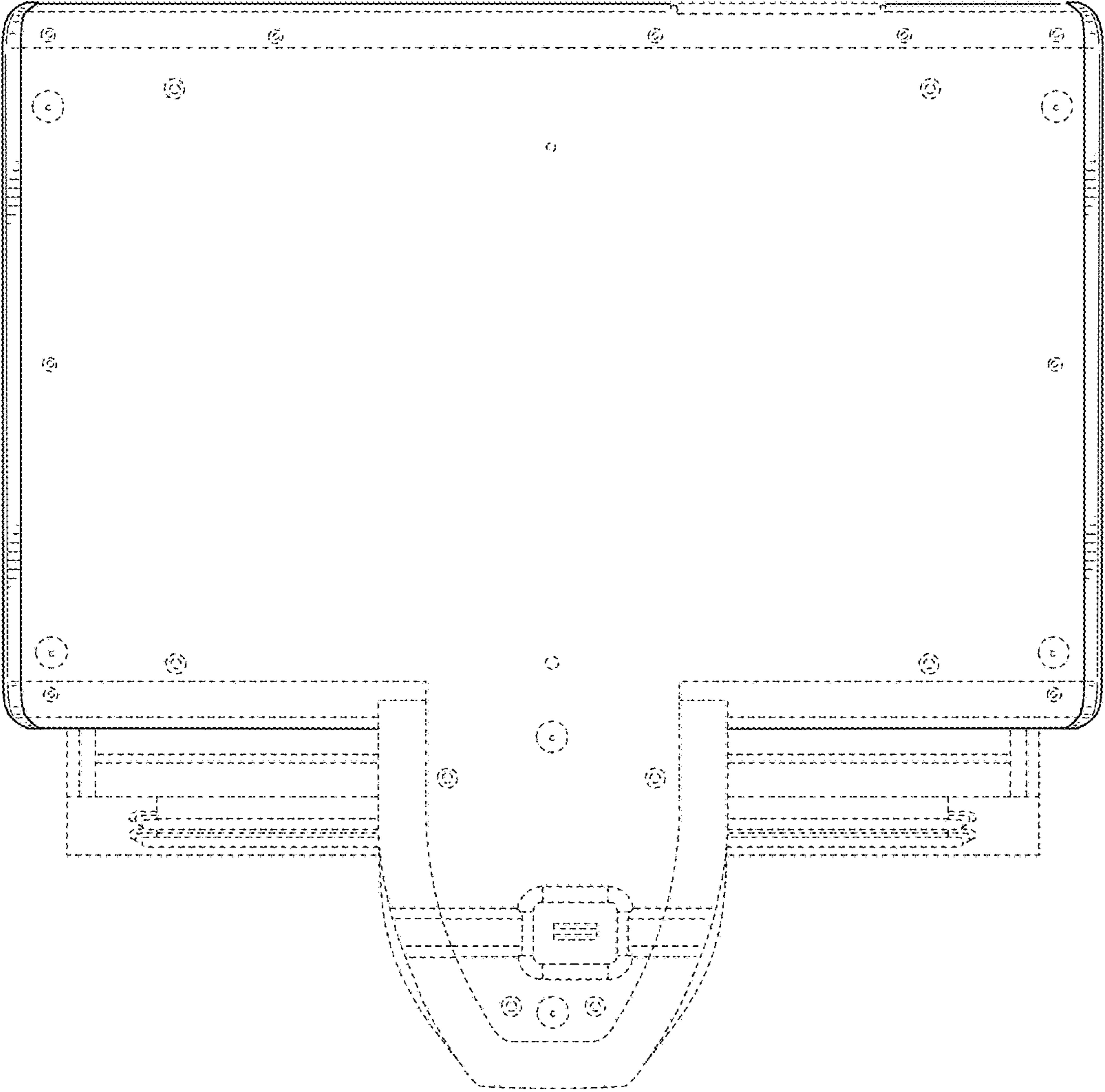


FIG. 8