



US00D806260S

(12) **United States Design Patent**
Malyarov et al.

(10) **Patent No.:** **US D806,260 S**
(45) **Date of Patent:** **** Dec. 26, 2017**

(54) **SAMPLE CARRIER**

(71) Applicant: **Siemens Healthcare Diagnostics Inc.**,
Tarrytown, NY (US)
(72) Inventors: **Ilya Malyarov**, Livingston, NJ (US);
Benjamin S. Pollack, Budd Lake, NJ
(US)
(73) Assignee: **Siemens Healthcare Diagnostics Inc.**,
Tarrytown, NY (US)

D500,363 S * 12/2004 Fanning D24/227
7,276,208 B2 * 10/2007 Sevigny B01L 9/06
211/74
7,867,768 B2 * 1/2011 Ryan G01N 35/04
198/345.1
D674,507 S * 1/2013 Suzuki D24/229
D700,975 S * 3/2014 Oonuma D24/216
D724,456 S * 3/2015 Antonzak D10/81
2014/0030166 A1 * 1/2014 Douglas F02B 63/044
422/507
2014/0124464 A1 * 5/2014 Nijakowski F16L 3/223
211/60.1

(**) Term: **15 Years**

* cited by examiner

(21) Appl. No.: **29/570,839**

Primary Examiner — Susan Bennett Hattan
Assistant Examiner — Rebecca Tsehaye

(22) Filed: **Jul. 12, 2016**

(51) **LOC (10) Cl.** **24-02**

(52) **U.S. Cl.**
USPC **D24/229**

(58) **Field of Classification Search**
USPC D24/216, 229, 230, 227, 224, 225, 226;
211/13.1, 85.13, 71.01, 126.01, 74, 60.1;
422/500, 551, 552
CPC .. B01L 3/00; B01L 3/50; B01L 3/5025; B01L
3/508; B01L 3/5082; B01L 3/5085
See application file for complete search history.

(56) **References Cited**

U.S. PATENT DOCUMENTS

D333,522 S * 2/1993 Gianino D24/229
5,368,820 A * 11/1994 Lautenschlager B01J 19/126
220/203.11

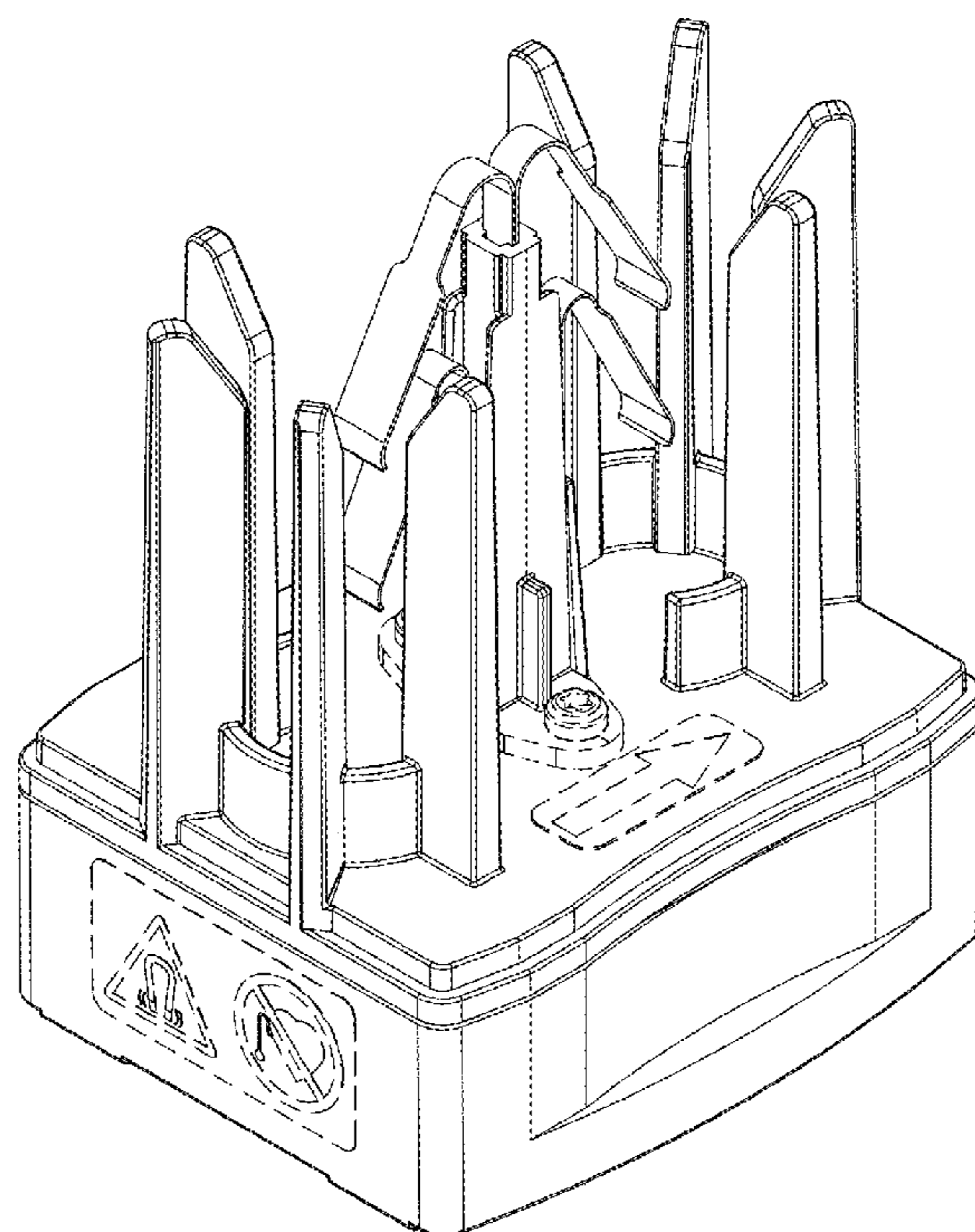
(57) **CLAIM**

We claim the ornamental design for a sample carrier, as shown and described.

DESCRIPTION

FIG. 1 is a perspective view of a sample carrier;
FIG. 2 is a bottom perspective view of a sample carrier;
FIG. 3 is a front elevational view of a sample carrier;
FIG. 4 is a rear elevational view of a sample carrier;
FIG. 5 is a left side elevational view of a sample carrier;
FIG. 6 is a right side elevational view of a sample carrier;
FIG. 7 is a top view of a sample carrier; and,
FIG. 8 is a bottom view of a sample carrier.
The broken lines in the drawings depict portions of the sample carrier that form no part of the claimed design.

1 Claim, 8 Drawing Sheets



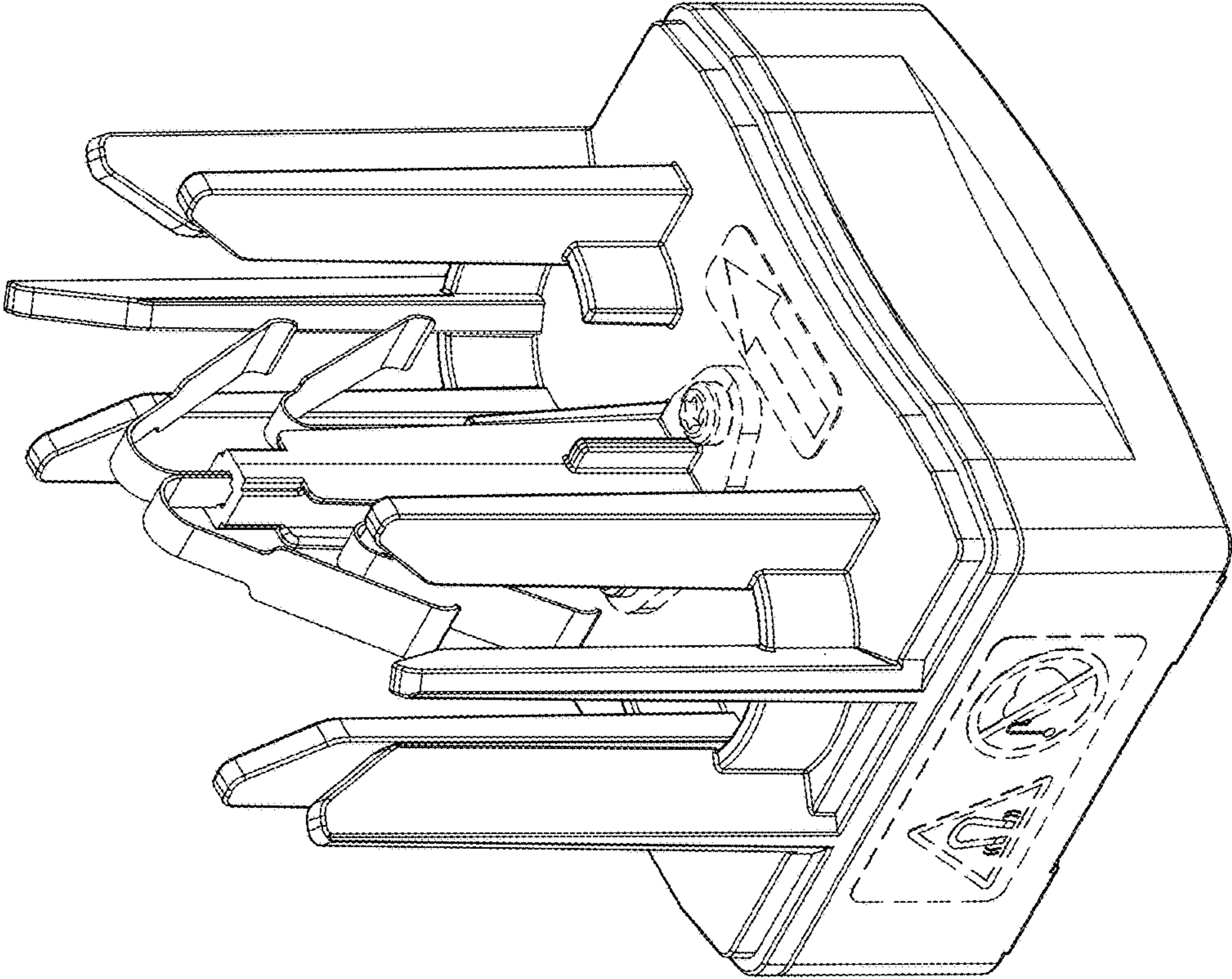


FIG. 1

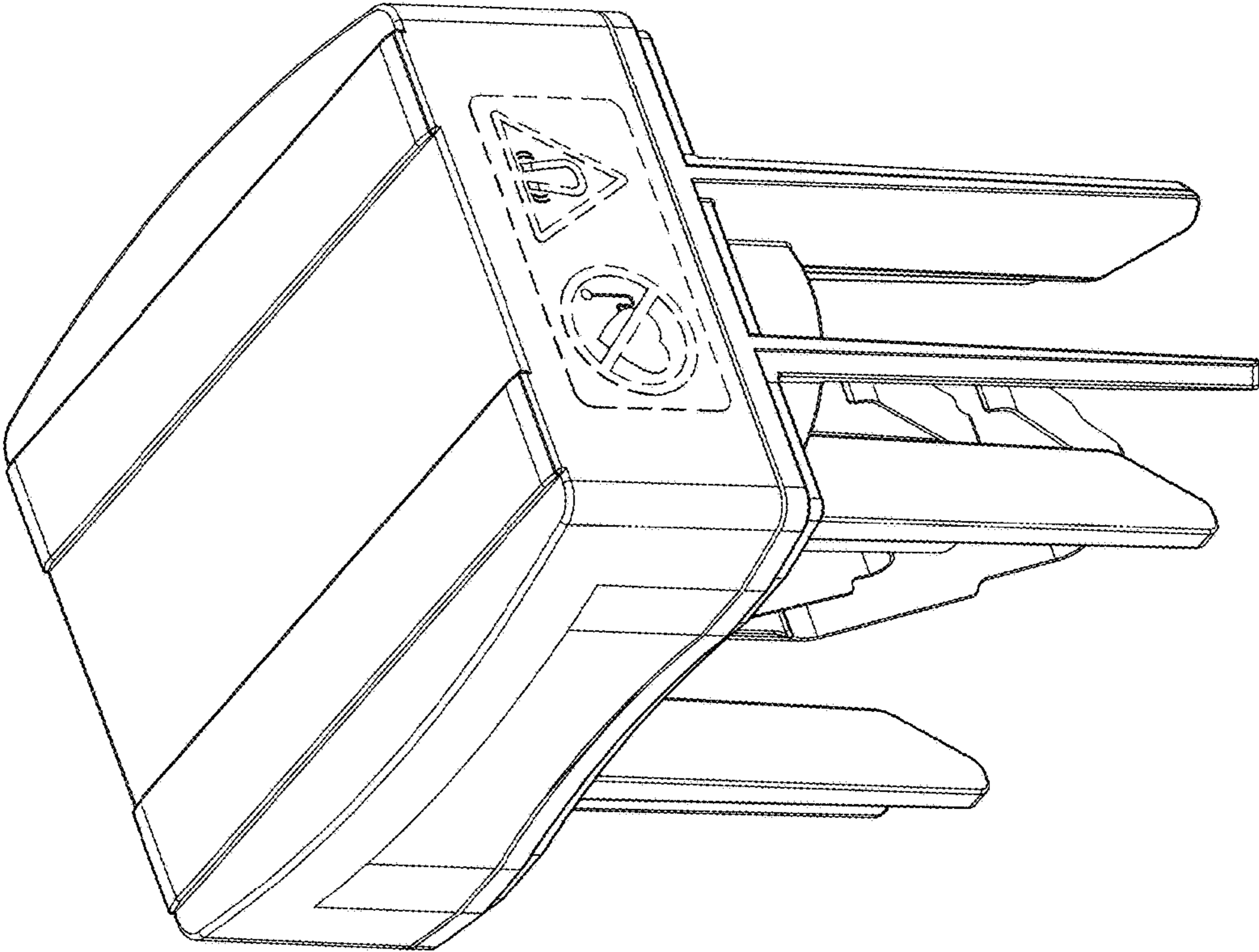


FIG. 2

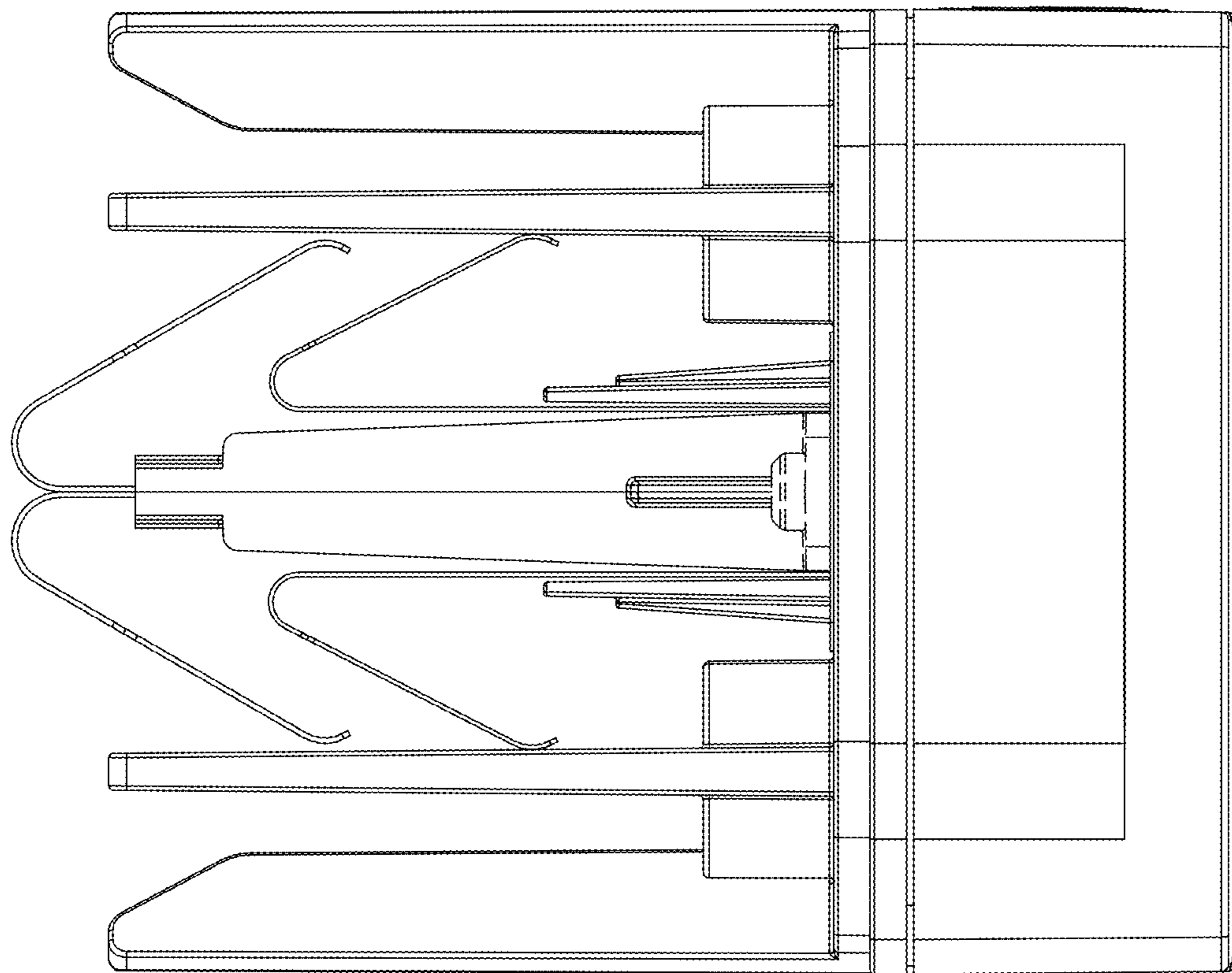


FIG. 3

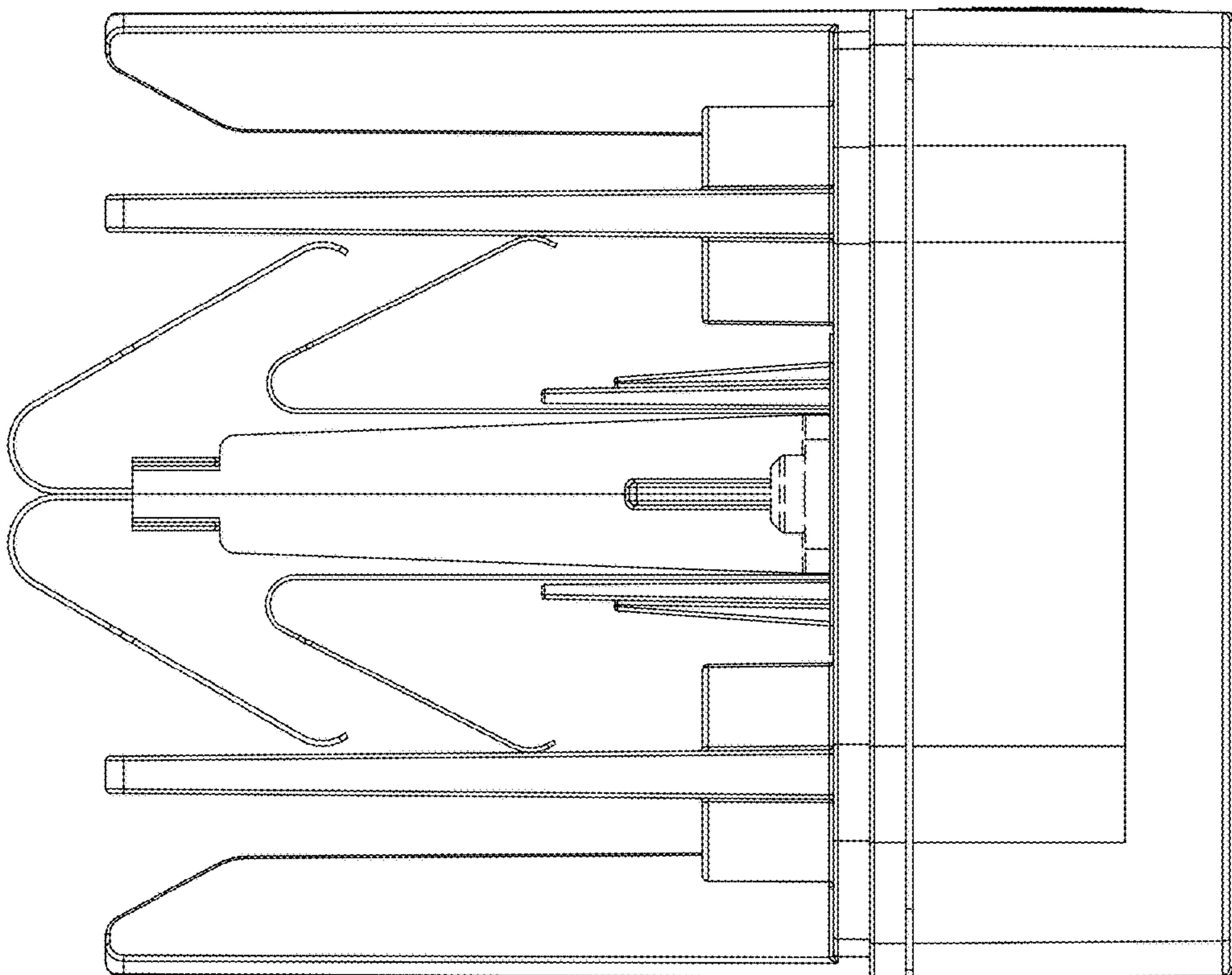


FIG. 4

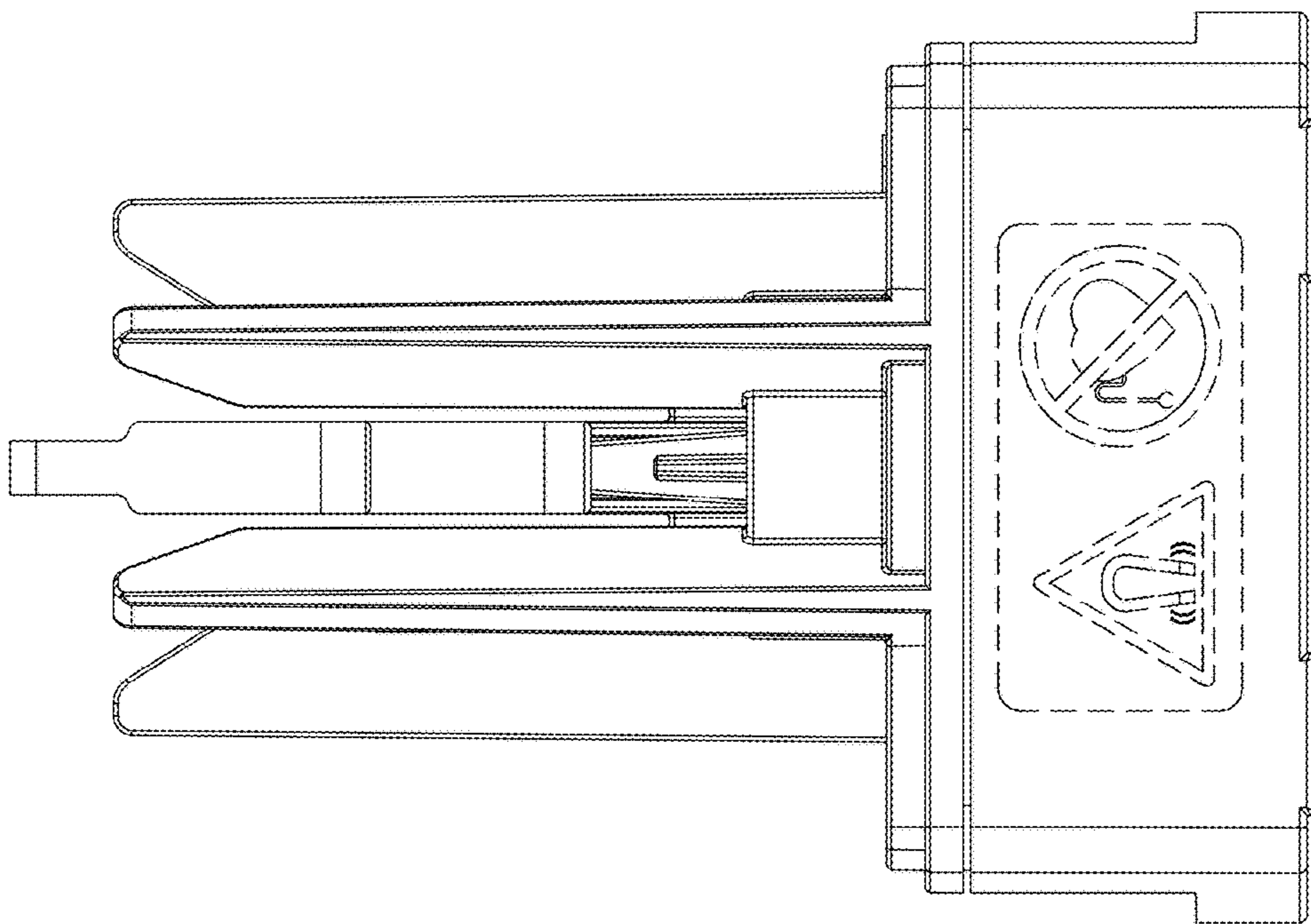


FIG. 5

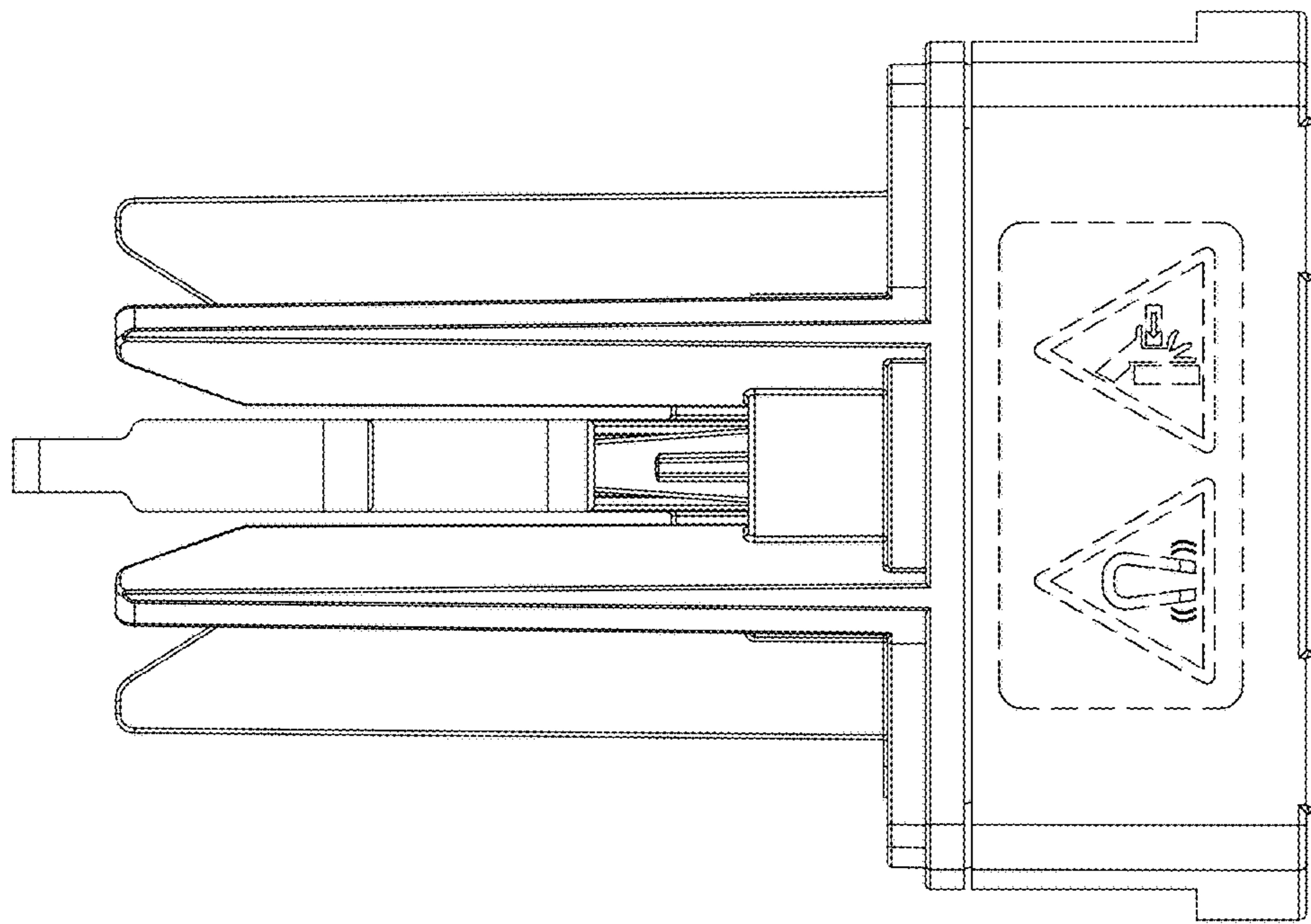


FIG. 6

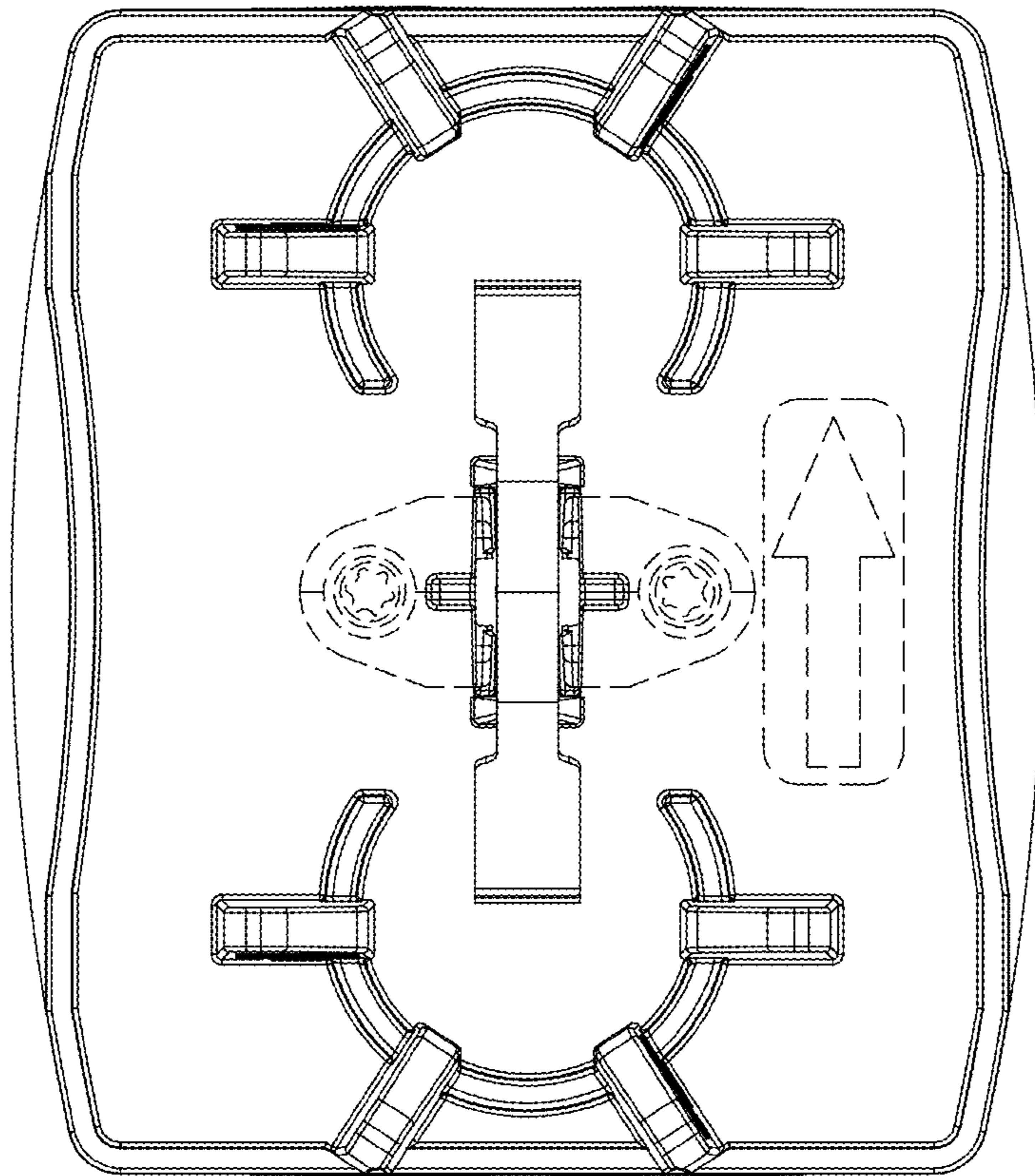


FIG. 7

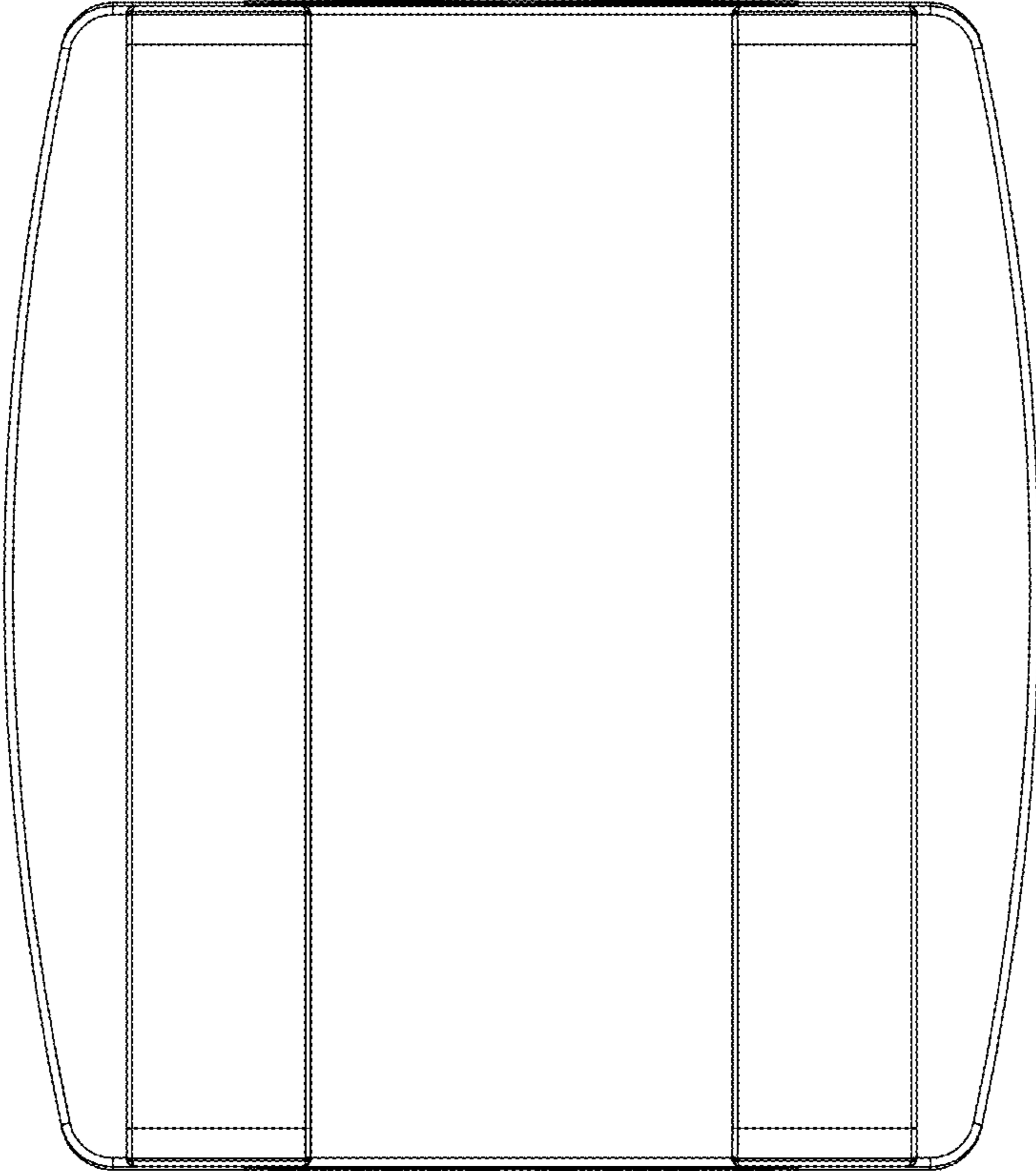


FIG. 8