



US00D806258S

(12) **United States Design Patent** (10) **Patent No.:** **US D806,258 S**
Sedic (45) **Date of Patent:** **** Dec. 26, 2017**

- (54) **EYE MASSAGER**
- (71) Applicant: **Filip Sedic**, Stockholm (SE)
- (72) Inventor: **Filip Sedic**, Stockholm (SE)
- (**) Term: **15 Years**
- (21) Appl. No.: **29/571,728**
- (22) Filed: **Jul. 21, 2016**

D706,439 S 6/2014 Hahr et al.
 D716,055 S * 10/2014 Kassem Llano D4/138
 D722,383 S 2/2015 Cole et al.
 D752,298 S 3/2016 Stephens
 2014/0213945 A1 7/2014 Kojima

OTHER PUBLICATIONS

Foreo, "Iris," Feb. 24, 2016 [Retrieved on May 5, 2016]. Retrieved from the internet <URL: <http://www.google.com/images>>.

* cited by examiner

Primary Examiner — Wan Laymon

(74) *Attorney, Agent, or Firm* — Fenwick & West LLP

(57) **CLAIM**

I claim the ornamental design for an eye massager, as shown and described.

DESCRIPTION

FIG. 1 is a perspective view of an embodiment of an eye massager.
 FIG. 2 is a front view of the embodiment of the eye massager.
 FIG. 3 is a back view of the embodiment of the eye massager.
 FIG. 4 is a right side view of the embodiment of the eye massager.
 FIG. 5 is a left side view of the embodiment of the eye massager.
 FIG. 6 is a top view of the embodiment of the eye massager; and,
 FIG. 7 is a bottom view of the embodiment of the eye massager.
 The broken lines are directed to environment and are for illustrative purposes only; the broken lines form no part of the claimed design.

Related U.S. Application Data

- (63) Continuation of application No. 29/530,588, filed on Jun. 17, 2015, now Pat. No. Des. 765,870.

Foreign Application Priority Data

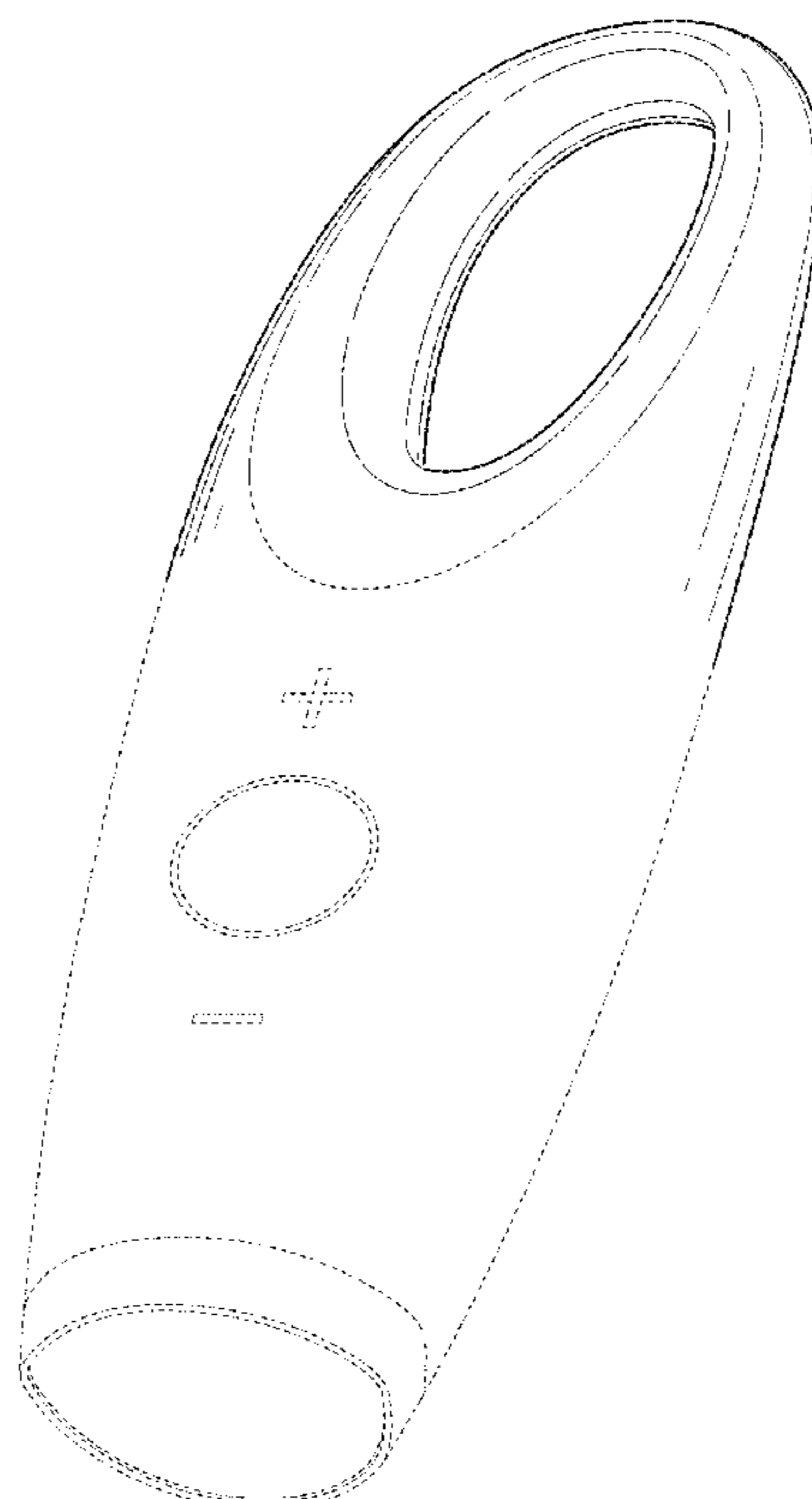
- Jun. 1, 2015 (CN) 2015 3 0173017
- (51) **LOC (10) Cl.** **28-03**
- (52) **U.S. Cl.**
USPC **D24/200**
- (58) **Field of Classification Search**
USPC D24/200, 214–215; D28/38, 41, 73;
D4/104, 111, 138, 129; D7/393, 395;
D8/107, 303
CPC A61H 15/0085
See application file for complete search history.

References Cited

U.S. PATENT DOCUMENTS

- D212,145 S 8/1968 Madl
- 6,001,070 A 12/1999 Gebhard
- D481,463 S 10/2003 Cook et al.
- D706,436 S * 6/2014 Hahr D24/215

1 Claim, 6 Drawing Sheets



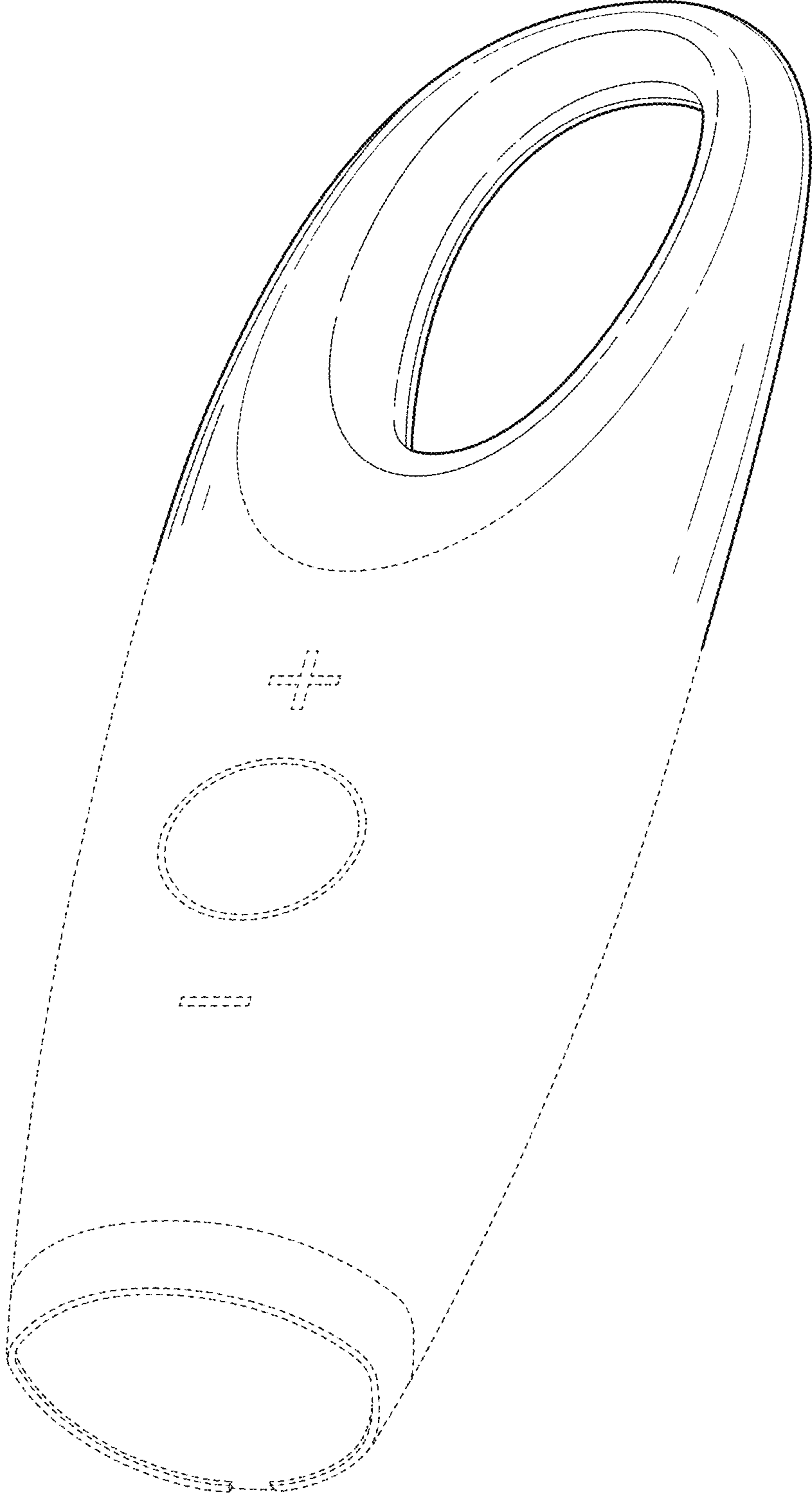


FIG. 1

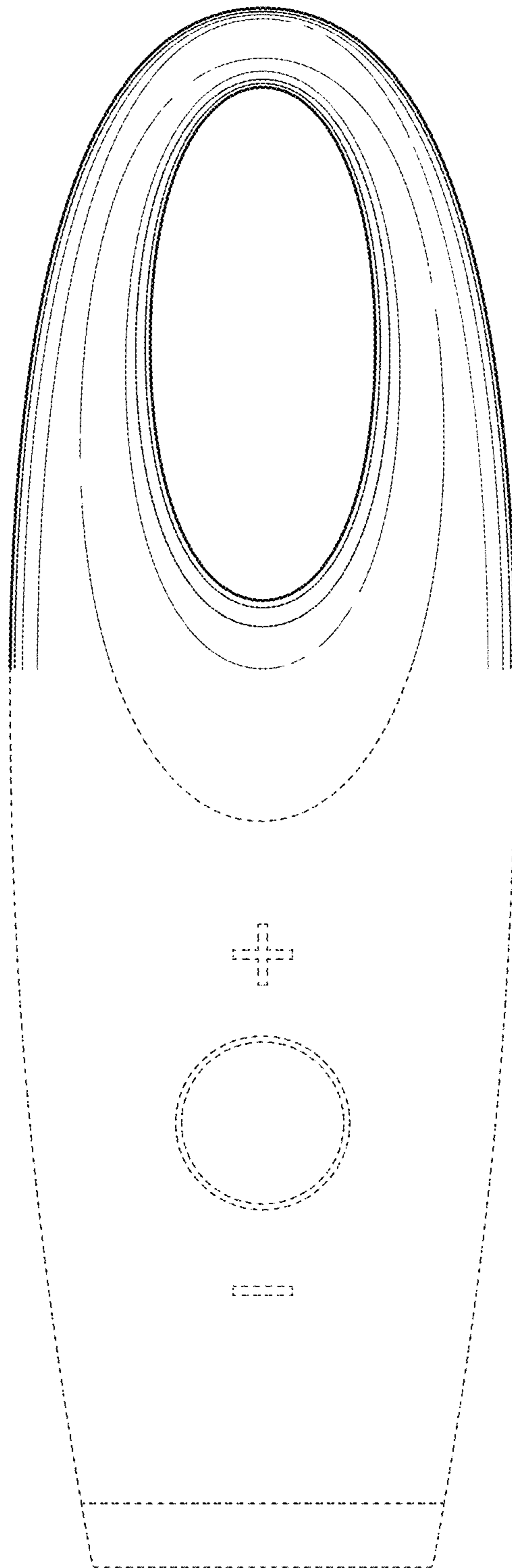


FIG. 2

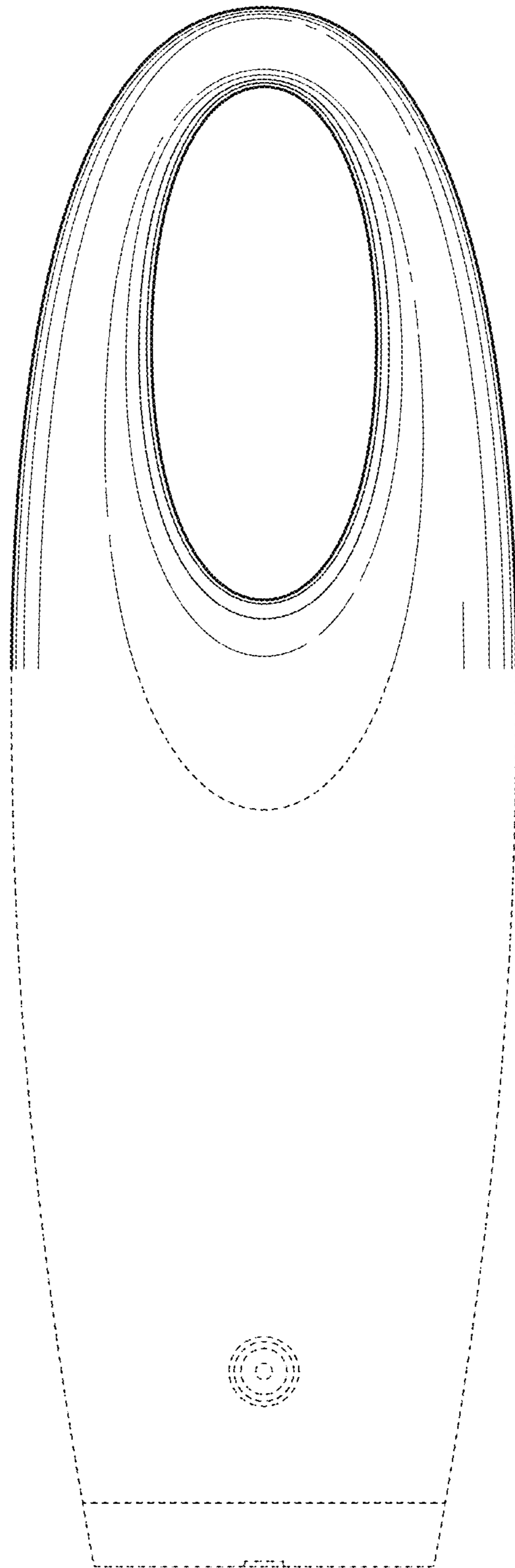


FIG. 3

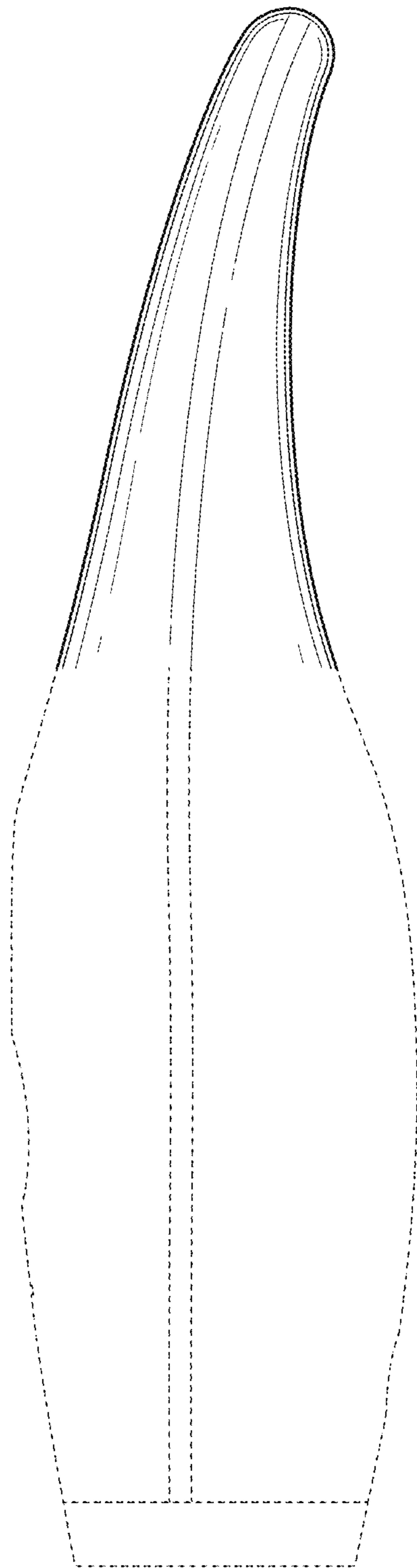


FIG. 4

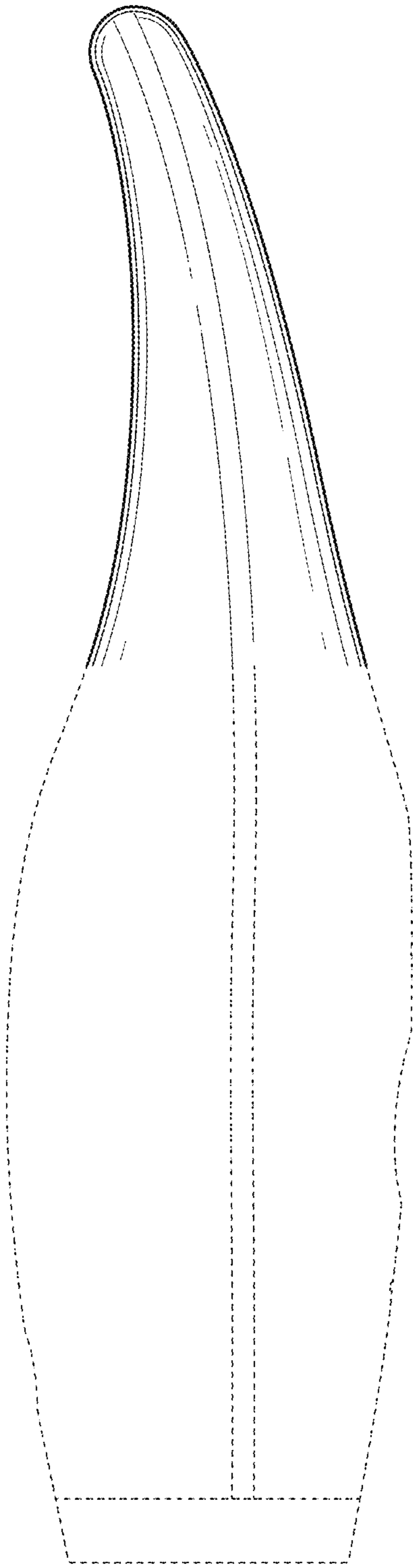


FIG. 5

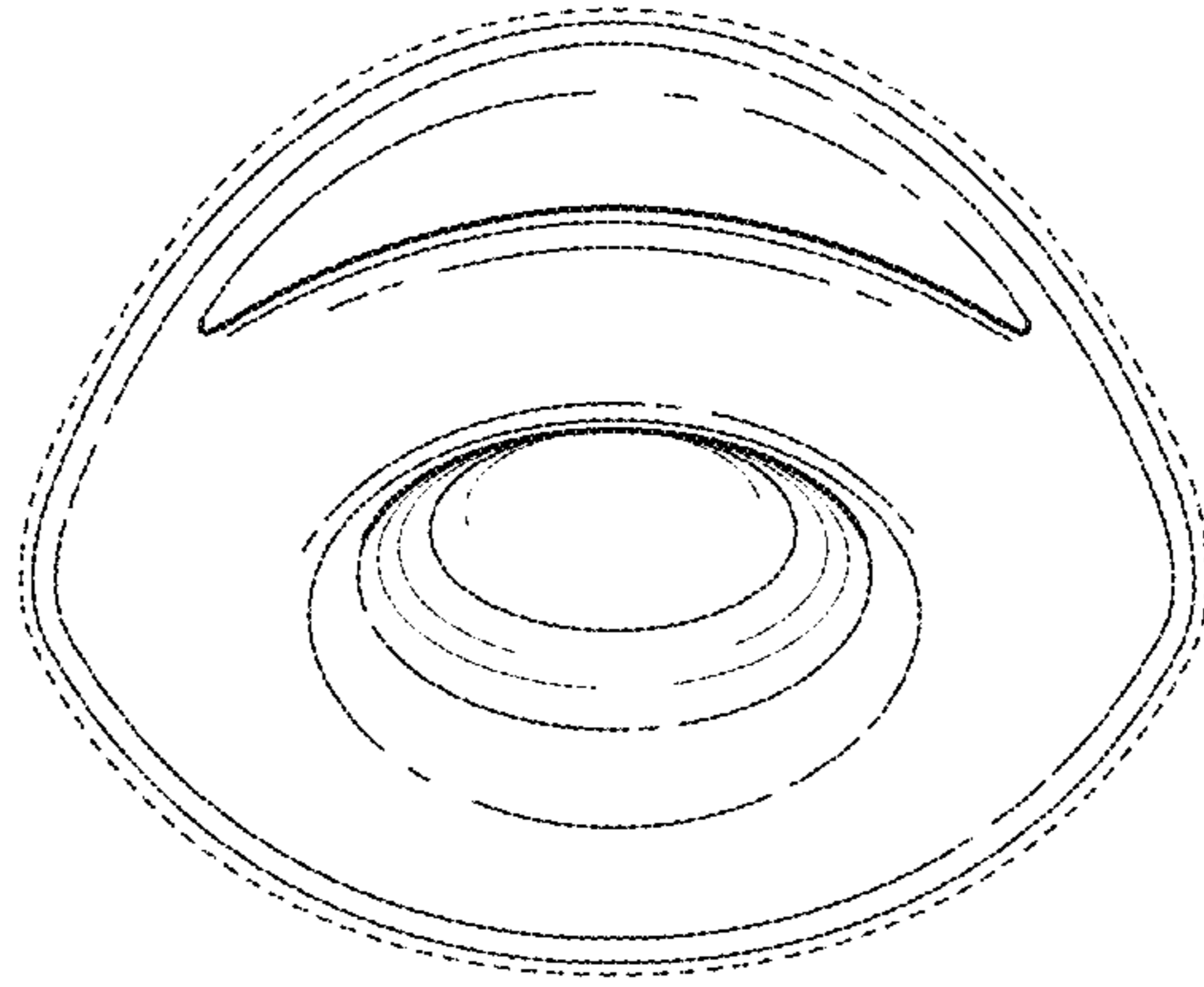


FIG. 6

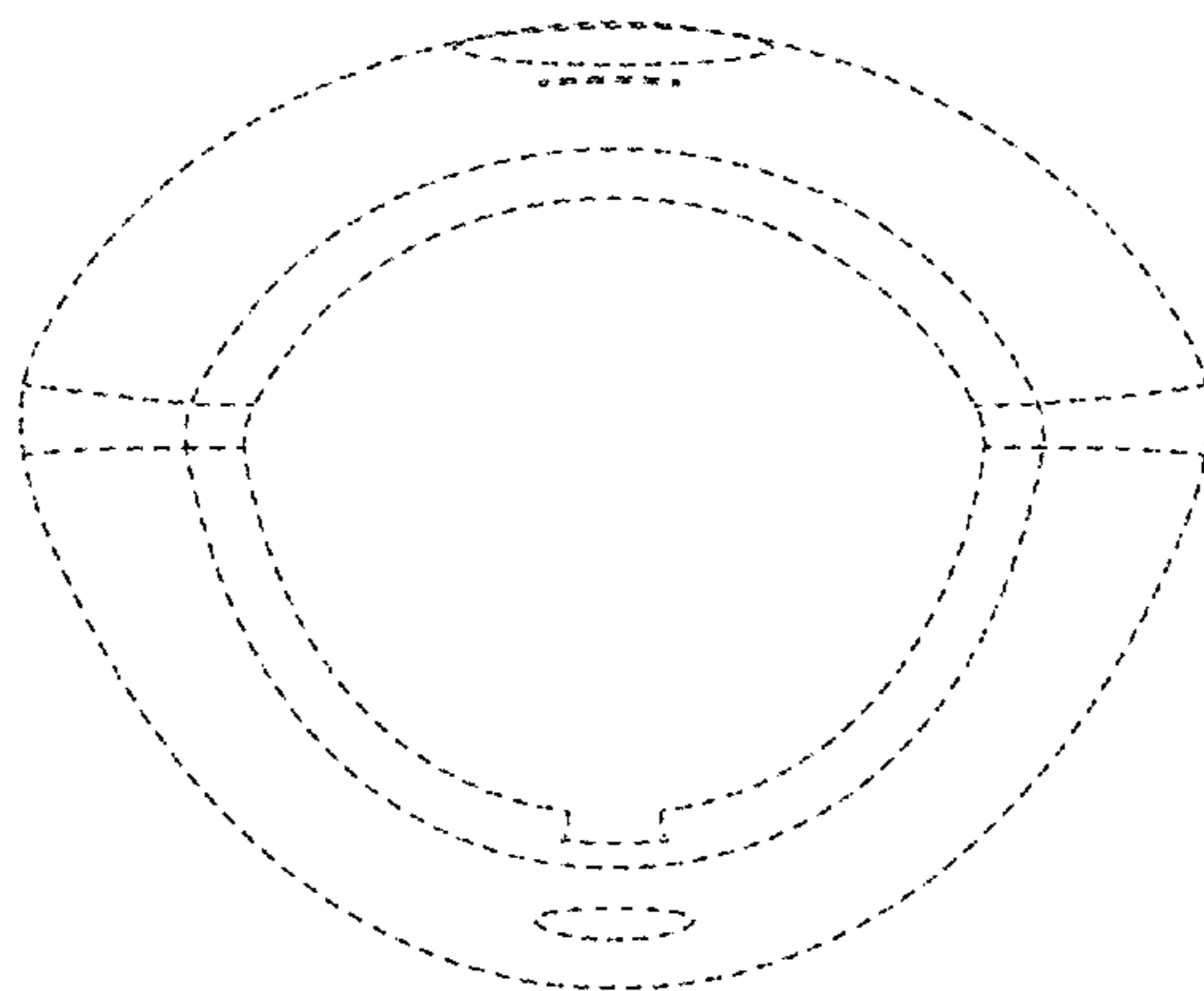


FIG. 7