



US00D806257S

(12) **United States Design Patent**  
**Gramza et al.**

(10) **Patent No.:** **US D806,257 S**

(45) **Date of Patent:** **\*\* Dec. 26, 2017**

- (54) **BACK BRACE**
- (71) Applicant: **3M INNOVATIVE PROPERTIES COMPANY**, St. Paul, MN (US)
- (72) Inventors: **Beth E. Gramza**, Cincinnati, OH (US); **Sherry A. Hinds**, Goshen, OH (US); **Anna K. Peterson**, Cincinnati, OH (US); **Angela L. Pan**, Arden Hills, MN (US)
- (73) Assignee: **3M INNOVATIVE PROPERTIES COMPANY**, St. Paul, MN (US)

- 4,926,845 A \* 5/1990 Harris ..... A61F 5/028  
128/876
- 5,078,283 A \* 1/1992 Wilson ..... A47F 5/101  
160/135
- 5,399,150 A \* 3/1995 Saunders ..... A61F 5/028  
128/100.1
- 5,411,262 A \* 5/1995 Smith ..... A63F 9/12  
273/156
- 5,445,601 A \* 8/1995 Harlow ..... A61F 5/028  
128/845
- D388,169 S \* 12/1997 Harris ..... D24/133

(Continued)

- (\*\*) Term: **15 Years**
- (21) Appl. No.: **29/548,892**
- (22) Filed: **Dec. 17, 2015**
- (51) **LOC (10) Cl.** ..... **24-01**
- (52) **U.S. Cl.**  
USPC ..... **D24/190**
- (58) **Field of Classification Search**  
USPC ..... D24/188-190, 200, 206; D21/683, 687,  
D21/688, 689; D29/100, 101.3, 101.5;  
D2/624, 627, 629, 634, 635; D8/16, 19  
CPC .... A61F 5/028; A61F 5/03; A61F 7/02; A61F  
5/34; A61H 2201/1628; A61H 2205/081;  
A41D 13/0525; A41D 13/0531; A41C  
1/08

See application file for complete search history.

(56) **References Cited**  
U.S. PATENT DOCUMENTS

- 3,452,748 A \* 7/1969 Caprio ..... A61F 5/028  
128/95.1
- 3,873,998 A \* 4/1975 Norris ..... F41H 1/02  
2/2.5
- 4,475,543 A \* 10/1984 Brooks ..... A61L 15/07  
602/19
- D296,595 S \* 7/1988 Flosi ..... D29/101.3
- 4,836,787 A \* 6/1989 Boo ..... A63H 33/048  
434/403

**OTHER PUBLICATIONS**

Modern Pentagon Brass Chandelier as seen on Alibaba.com, online site visited May 8, 2017, <URL: [https://www.alibaba.com/product-detail/Modern-pentagon-brass-chandelier-frosted-white\\_60236559314.html](https://www.alibaba.com/product-detail/Modern-pentagon-brass-chandelier-frosted-white_60236559314.html)>.\*

*Primary Examiner* — George D Kirschbaum  
*Assistant Examiner* — Jennifer Watkins  
(74) *Attorney, Agent, or Firm* — Irina Hass

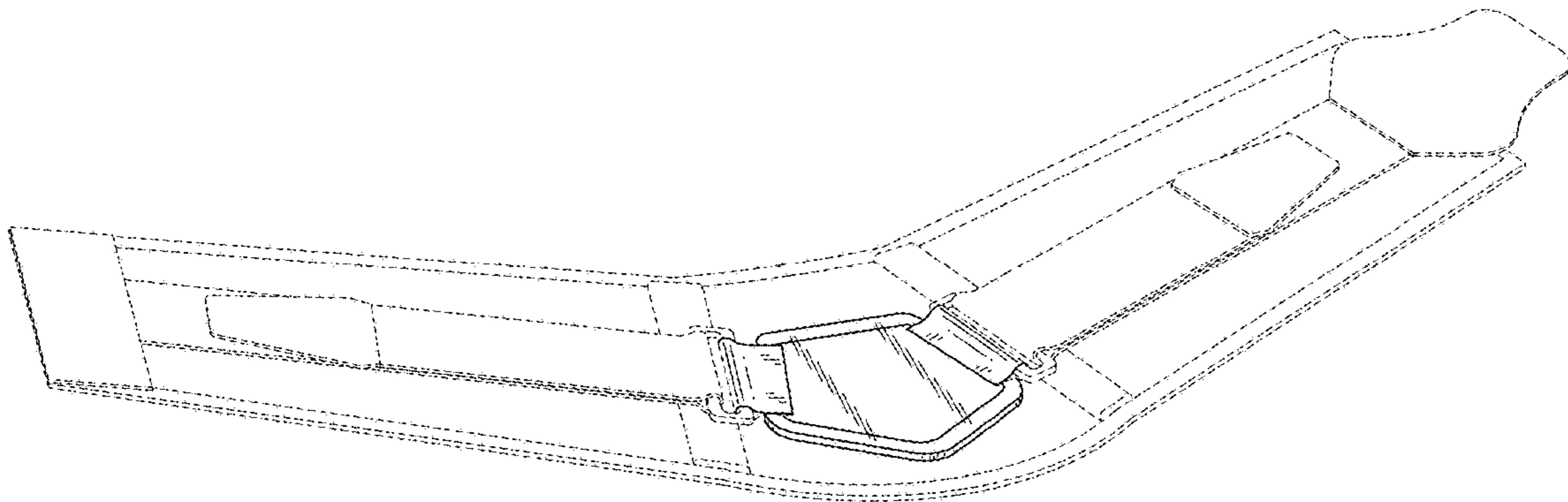
(57) **CLAIM**

The ornamental design for a back brace, as shown and described.

**DESCRIPTION**

FIG. 1 is a perspective view showing a new design for a back brace;  
FIG. 2 is a front view thereof;  
FIG. 3 is a rear view thereof;  
FIG. 4 is a bottom view thereof;  
FIG. 5 is a top view thereof;  
FIG. 6 is a left side view thereof; and,  
FIG. 7 is a right side view thereof.  
The broken lines in the figures are for the purpose of illustrating portions of the back brace and form no part of the claim.

**1 Claim, 2 Drawing Sheets**



(56)

**References Cited**

U.S. PATENT DOCUMENTS

5,950,249 A \* 9/1999 Clement ..... A63B 71/12  
2/463  
D441,869 S \* 5/2001 Bloor ..... D24/189  
6,319,217 B1 \* 11/2001 Darcey ..... A61F 5/028  
128/845  
D501,694 S \* 2/2005 Cannon ..... D11/90  
D601,705 S \* 10/2009 Bauerfeind ..... D24/189  
D660,439 S \* 5/2012 Chen ..... D24/190  
D716,957 S \* 11/2014 Chiang ..... D24/191  
D744,168 S \* 11/2015 Best ..... D29/101.3  
D750,328 S \* 2/2016 Feight ..... D29/101.5  
2015/0100007 A1 \* 4/2015 Gilmer ..... A61F 5/05883  
602/17  
2015/0230959 A1 \* 8/2015 Gilmer ..... A61F 5/0102  
602/17

\* cited by examiner

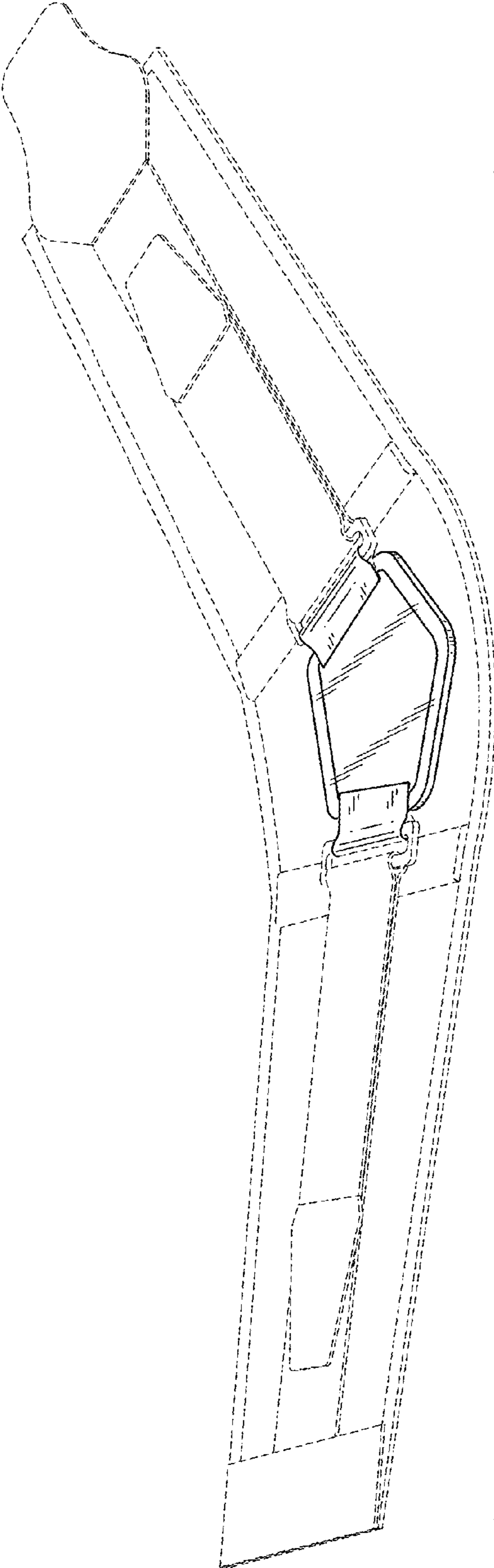


FIG. 1

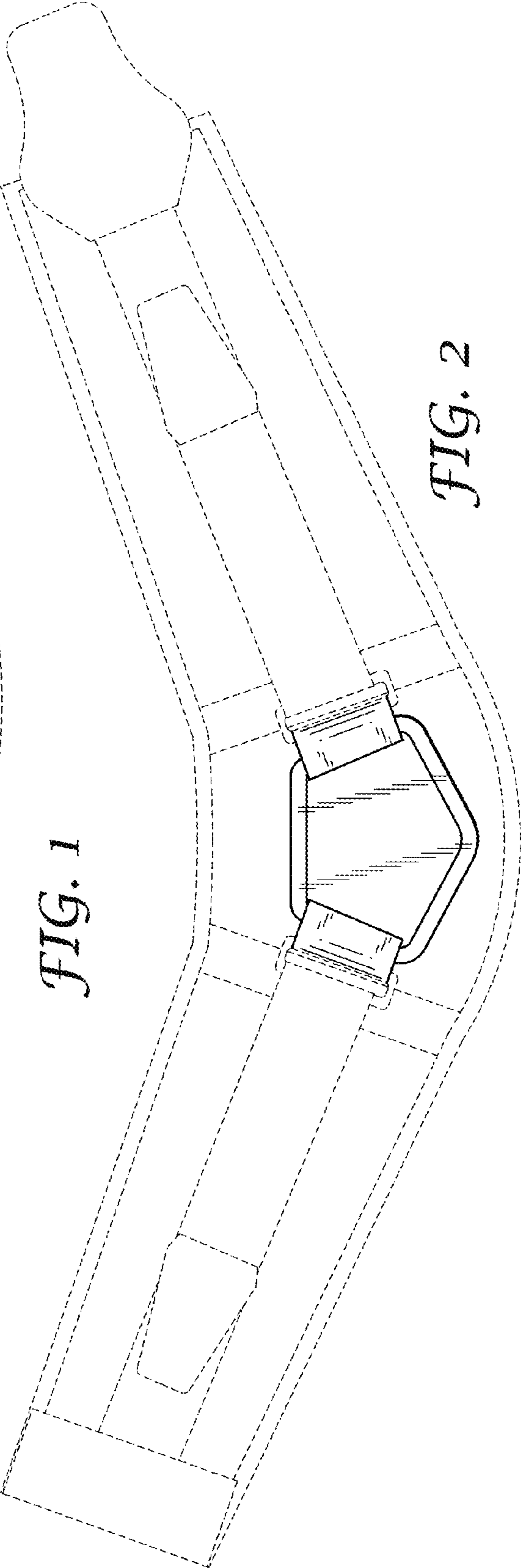


FIG. 2

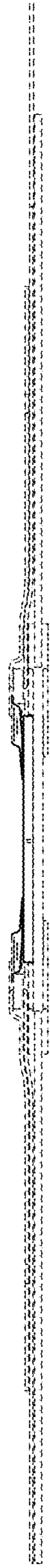
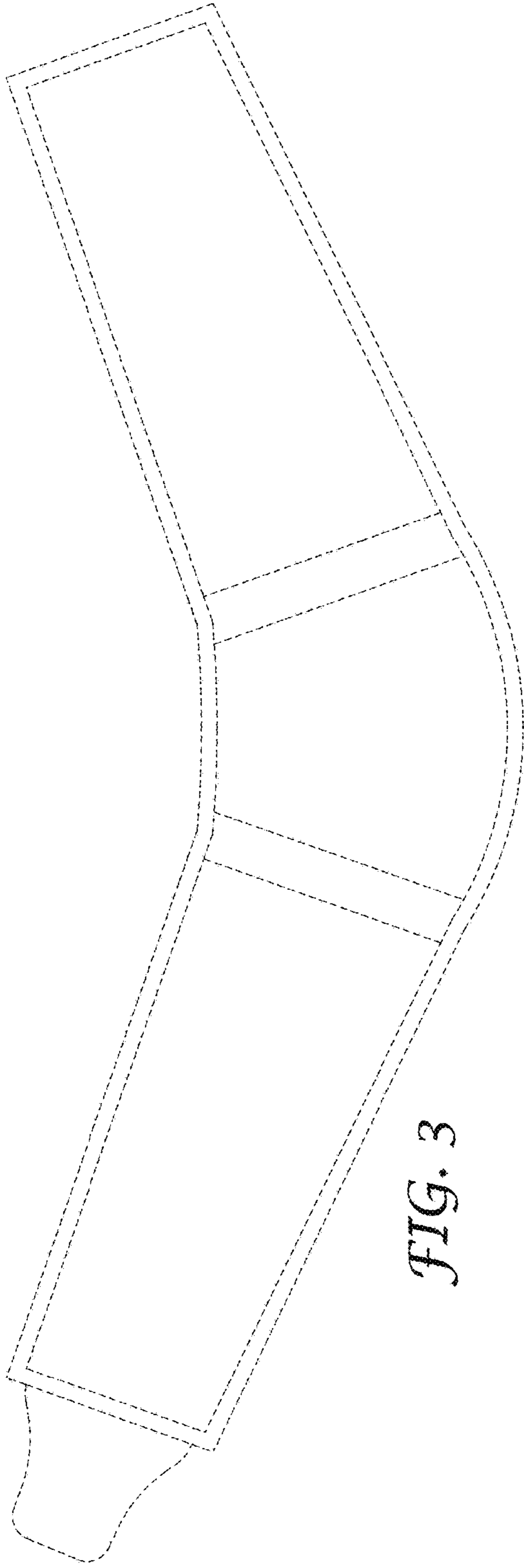


FIG. 4

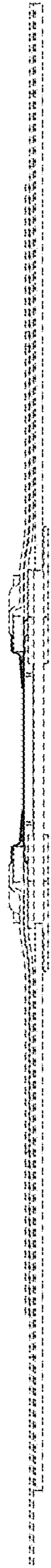


FIG. 5



FIG. 6



FIG. 7