



US00D806256S

(12) **United States Design Patent** (10) **Patent No.:** **US D806,256 S**
Allen et al. (45) **Date of Patent:** **** Dec. 26, 2017**

- (54) **MEDICAL DRESSING**
- (71) Applicant: **Smith & Nephew PLC**, London (GB)
- (72) Inventors: **Julie Allen**, Hull (GB); **Sarah Jenny Collinson**, Hull (GB); **Philip Gowans**, York (GB); **Steven Carl Mehta**, Lincoln (GB); **Derek Nicolini**, Hull (GB)
- (73) Assignee: **SMITH & NEPHEW PLC**, London (GB)

- 4,564,010 A 1/1986 Coughlan et al.
- 4,587,146 A 5/1986 Anhauser et al.
- 4,605,399 A 8/1986 Weston et al.
- 4,627,429 A 12/1986 Tsuk
- D292,826 S 11/1987 Sproles
- 4,808,172 A 2/1989 Murata

(Continued)

FOREIGN PATENT DOCUMENTS

- AU 674837 B2 1/1997
- CN 1212613 A 3/1999

(Continued)

- (**) Term: **15 Years**
- (21) Appl. No.: **29/581,835**
- (22) Filed: **Oct. 21, 2016**

OTHER PUBLICATIONS

- US 7,186,244, 03/2007, Hunt et al. (withdrawn)
- (Continued)

Related U.S. Application Data

- (63) Continuation of application No. 14/403,036, filed as application No. PCT/IB2013/001469 on May 22, 2013.
- (51) **LOC (10) Cl.** **24-01**
- (52) **U.S. Cl.**
USPC **D24/189**
- (58) **Field of Classification Search**
USPC D24/188-192
CPC .. A61M 1/0088; A61M 27/00; A61M 1/0031;
A61M 1/0092; A61M 1/0023
See application file for complete search history.

Primary Examiner — George D. Kirschbaum

Assistant Examiner — Jennifer L Watkins

(74) *Attorney, Agent, or Firm* — Knobbe, Martens, Olson & Bear LLP

(57) **CLAIM**

The ornamental design for a medical dressing, as shown and described.

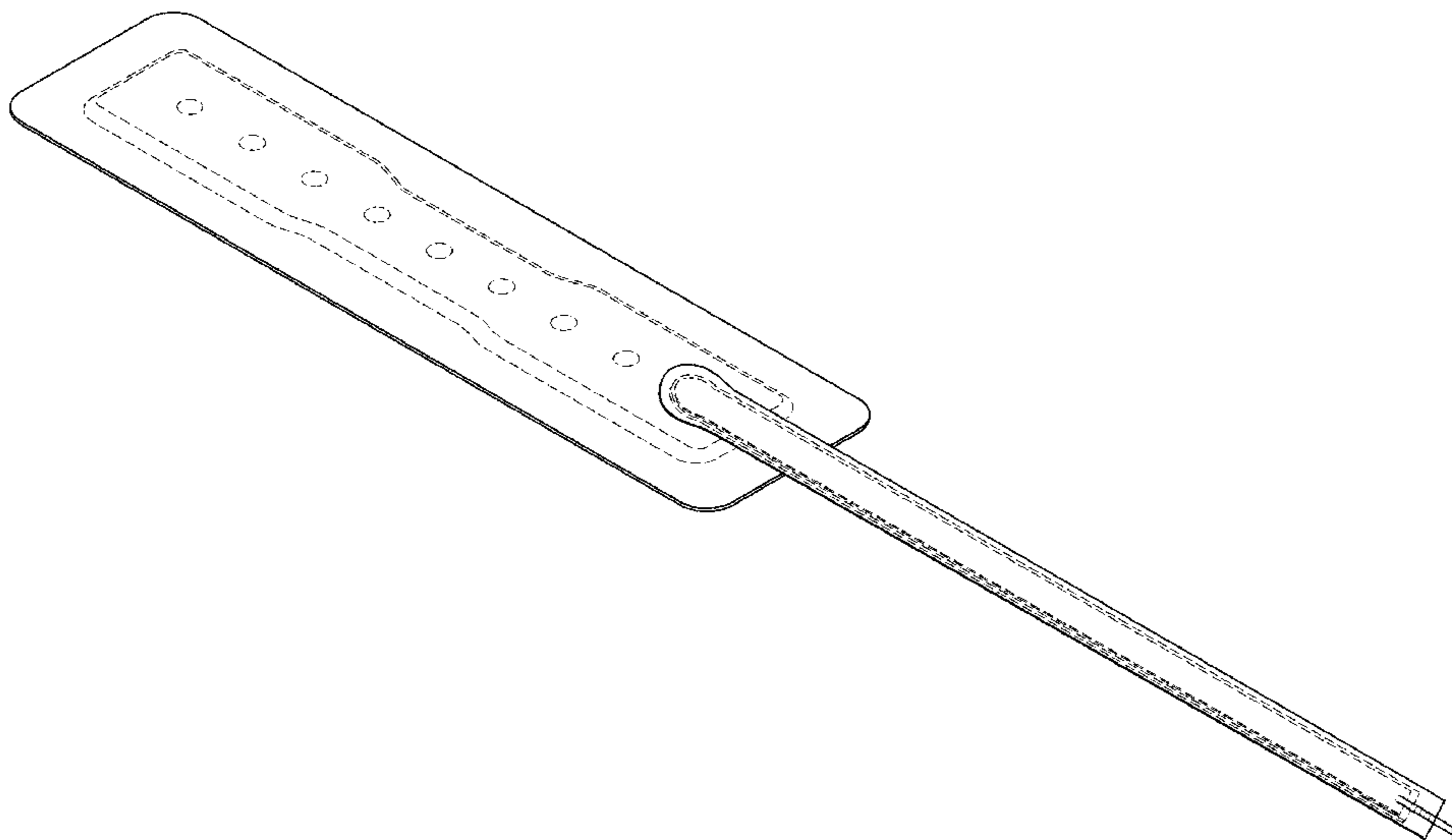
DESCRIPTION

FIG. 1 is a perspective top view of an ornamental design of an embodiment of a medical dressing.
 FIG. 2 is a top view of the medical dressing of FIG. 1.
 FIG. 3 is a bottom view of the medical dressing of FIG. 1.
 FIG. 4 is a rear view of the medical dressing of FIG. 1.
 FIG. 5 is a front view of the medical dressing of FIG. 1; and,
 FIG. 6 is a right side view of the medical dressing of FIG. 1, the left side being a mirror thereof.
 The broken lines illustrate portions of the medical dressing which form no part of the claimed design.

1 Claim, 5 Drawing Sheets

(56) **References Cited**
 U.S. PATENT DOCUMENTS

- 2,613,696 A 10/1952 MacIntyre
- 2,682,873 A 7/1954 Evans et al.
- 3,342,183 A 9/1967 Edenbaum
- 3,568,675 A 3/1971 Harvey
- 3,935,863 A 2/1976 Kliger
- D267,510 S 1/1983 Golub



(56)

References Cited

U.S. PATENT DOCUMENTS

4,846,164	A	7/1989	Martz	6,685,681	B2	2/2004	Lockwood et al.
4,917,112	A	4/1990	Kalt	6,706,940	B2	3/2004	Worthley
4,921,492	A	5/1990	Schultz	6,719,742	B1	4/2004	McCormack et al.
4,969,880	A	11/1990	Zamierowski	6,752,794	B2	6/2004	Lockwood et al.
5,052,381	A	10/1991	Gilbert et al.	6,755,807	B2	6/2004	Risk et al.
5,056,510	A	10/1991	Gilman	6,762,337	B2	7/2004	Boukanov et al.
5,100,396	A	3/1992	Zamierowski	6,764,459	B1	7/2004	Donaldson
5,115,801	A	5/1992	Cartmell et al.	D495,056	S	8/2004	Watanabe
5,160,328	A	11/1992	Cartmell et al.	6,776,769	B2	8/2004	Smith
5,176,663	A	1/1993	Svedman et al.	6,787,682	B2	9/2004	Gilman
5,197,945	A	3/1993	Cole et al.	6,855,135	B2	2/2005	Lockwood et al.
5,261,893	A	11/1993	Zamierowski	6,936,037	B2	8/2005	Bubb et al.
5,266,371	A	11/1993	Sugii et al.	D509,299	S	9/2005	Watanabe
5,336,219	A	8/1994	Krantz	6,951,553	B2	10/2005	Bubb et al.
5,354,261	A	10/1994	Clark et al.	D515,701	S	2/2006	Horhota et al.
D352,782	S	11/1994	Kirk et al.	6,998,511	B2	2/2006	Worthley
5,364,381	A	11/1994	Soga et al.	7,004,915	B2	2/2006	Boynton et al.
5,380,294	A	1/1995	Persson	7,049,478	B1	5/2006	Smith et al.
D357,742	S	4/1995	Peery et al.	7,070,584	B2	7/2006	Johnson et al.
5,437,651	A	8/1995	Todd et al.	7,108,683	B2	9/2006	Zamierowski
D362,505	S	9/1995	Fabricant	7,118,545	B2	10/2006	Boyde
5,447,492	A	9/1995	Cartmell et al.	7,195,624	B2	3/2007	Lockwood et al.
5,456,660	A	10/1995	Reich et al.	7,198,046	B1	4/2007	Argenta
5,480,377	A	1/1996	Cartmell et al.	7,216,651	B2	5/2007	Argenta et al.
5,497,788	A	3/1996	Inman et al.	7,279,612	B1	10/2007	Heaton et al.
D369,907	S	5/1996	Sayovitz et al.	7,294,751	B2	11/2007	Propp et al.
D370,127	S	5/1996	Bonaddio et al.	7,294,752	B1	11/2007	Propp
5,527,293	A	6/1996	Zamierowski	7,316,672	B1	1/2008	Hunt et al.
D372,098	S	7/1996	Lattin et al.	7,338,482	B2	3/2008	Lockwood et al.
5,538,500	A	7/1996	Peterson	D571,922	S	6/2008	Freeland
5,549,584	A	8/1996	Gross	7,381,859	B2	6/2008	Hunt et al.
5,562,107	A	10/1996	Lavender et al.	D572,367	S	7/2008	Freeland
5,579,765	A	12/1996	Cox et al.	D572,824	S	7/2008	Propp
5,599,289	A	2/1997	Castellana	D572,825	S	7/2008	Freeland
5,603,946	A	2/1997	Constantine	7,429,689	B2	9/2008	Chen et al.
5,636,643	A	6/1997	Argenta et al.	7,438,705	B2	10/2008	Karpowicz et al.
5,637,080	A	6/1997	Geng	7,476,205	B2	1/2009	Erdmann
5,645,081	A	7/1997	Argenta et al.	7,485,112	B2	2/2009	Karpowicz et al.
D382,343	S	8/1997	Wandell et al.	7,503,910	B2	3/2009	Adahan
5,662,599	A	9/1997	Reich et al.	7,511,187	B2	3/2009	Kelly
D384,745	S	10/1997	Lattin et al.	7,531,711	B2	5/2009	Sigurjonsson et al.
D385,038	S	10/1997	Shultz	7,534,927	B2	5/2009	Lockwood
5,678,564	A	10/1997	Lawrence et al.	7,563,940	B2	7/2009	Kurata
5,701,917	A	12/1997	Khouri	7,569,742	B2	8/2009	Haggstrom et al.
5,702,356	A	12/1997	Hathman	7,576,256	B2	8/2009	Björnberg et al.
D389,581	S	1/1998	Fein	D600,354	S	9/2009	Sachi
5,704,905	A	1/1998	Jensen et al.	7,605,298	B2	10/2009	Bechert et al.
5,713,384	A	2/1998	Roach et al.	D604,424	S	11/2009	Coubetergues
5,795,584	A	8/1998	Totakura et al.	7,615,036	B2	11/2009	Joshi et al.
5,827,213	A	10/1998	Jensen	7,622,629	B2	11/2009	Aail
5,840,052	A	11/1998	Johns	D605,299	S	12/2009	Iwahashi et al.
5,843,025	A	12/1998	Shaari	7,625,362	B2	12/2009	Boehringer et al.
5,897,541	A	4/1999	Uitenbroek et al.	7,645,269	B2	1/2010	Zamierowski
5,911,222	A	6/1999	Lawrence et al.	D609,922	S	2/2010	Bridges et al.
5,998,694	A	12/1999	Jensen et al.	7,670,323	B2	3/2010	Hunt et al.
6,011,194	A	1/2000	Buglino et al.	7,678,102	B1	3/2010	Heaton
6,040,493	A	3/2000	Cooke et al.	7,686,785	B2	3/2010	Boehringer et al.
D424,699	S	5/2000	Allen	7,722,582	B2	5/2010	Lina et al.
6,071,267	A	6/2000	Zamierowski	7,723,561	B2	5/2010	Propp
6,075,177	A	6/2000	Bahia et al.	D618,810	S	6/2010	Tanigawa et al.
6,124,520	A	9/2000	Roberts	D620,122	S	7/2010	Cotton
6,124,521	A	9/2000	Roberts	D620,123	S	7/2010	Igwebuike
6,142,982	A	11/2000	Hunt et al.	7,749,531	B2	7/2010	Booher
6,297,423	B1	10/2001	Schoenfeldt et al.	7,759,537	B2	7/2010	Bishop et al.
6,345,623	B1	2/2002	Heaton et al.	7,759,539	B2	7/2010	Shaw et al.
6,362,390	B1	3/2002	Carlucci et al.	7,775,998	B2	8/2010	Riesinger
6,458,109	B1	10/2002	Henley et al.	7,776,028	B2	8/2010	Miller et al.
6,468,295	B2	10/2002	Augustine et al.	7,779,625	B2	8/2010	Joshi et al.
6,506,175	B1	1/2003	Goldstein	7,794,438	B2	9/2010	Henley et al.
6,528,696	B1	3/2003	Ireland	D625,017	S	10/2010	Iwahashi et al.
D477,086	S	7/2003	Tsuruda et al.	D625,018	S	10/2010	Smith et al.
6,586,653	B2	7/2003	Graeme, III et al.	D631,166	S	1/2011	Leffew et al.
6,613,953	B1	9/2003	Altura	7,862,718	B2	1/2011	Doyen et al.
6,626,891	B2	9/2003	Ohmstede	7,880,050	B2	2/2011	Robinson et al.
6,648,862	B2	11/2003	Watson	7,922,703	B2	4/2011	Riesinger
				7,935,066	B2	5/2011	Shives et al.
				7,959,624	B2	6/2011	Reisinger
				7,964,766	B2	6/2011	Blott et al.
				7,976,519	B2	7/2011	Bubb et al.

(56)

References Cited

U.S. PATENT DOCUMENTS

7,981,098 B2	7/2011	Boehringer et al.	2004/0106888 A1	6/2004	Lutri et al.
D642,594 S	8/2011	Mattson et al.	2004/0138602 A1	7/2004	Rossen
7,988,673 B2	8/2011	Wright et al.	2004/0162512 A1	8/2004	Liedtke et al.
8,021,347 B2	9/2011	Vitaris et al.	2004/0241214 A1	12/2004	Kirkwood et al.
8,080,702 B2	12/2011	Blott et al.	2004/0243042 A1	12/2004	Lipman
8,083,712 B2	12/2011	Biggie et al.	2005/0015036 A1	1/2005	Lutri et al.
8,092,436 B2	1/2012	Christensen	2006/0009744 A1	1/2006	Erdman et al.
8,133,211 B2	3/2012	Cavanaugh, II et al.	2006/0020234 A1	1/2006	Chou et al.
8,147,468 B2	4/2012	Barta et al.	2006/0079852 A1	4/2006	Bubb et al.
8,148,595 B2	4/2012	Robinson et al.	2006/0100586 A1	5/2006	Karpowicz
8,152,785 B2	4/2012	Vitaris	2006/0122548 A1	6/2006	Abrams
8,158,844 B2	4/2012	McNeil	2006/0206047 A1	9/2006	Lampe et al.
8,162,907 B2	4/2012	Heagle	2007/0003604 A1	1/2007	Jones
8,168,848 B2	5/2012	Lockwood et al.	2007/0078467 A1	4/2007	Mullen
8,187,237 B2	5/2012	Seegert	2007/0100308 A1	5/2007	Miyairi
8,188,331 B2	5/2012	Barta et al.	2007/0282236 A1	12/2007	LaGreca
8,192,409 B2	6/2012	Hardman et al.	2008/0058691 A1	3/2008	Sorensen
8,202,261 B2	6/2012	Kazala, Jr. et al.	2008/0167592 A1	7/2008	Greer
8,212,101 B2	7/2012	Propp	2008/0167593 A1	7/2008	Fleischmann
8,241,261 B2	8/2012	Randolph et al.	2008/0195017 A1*	8/2008	Robinson A61F 13/00068 602/44
8,246,606 B2	8/2012	Stevenson et al.	2008/0271804 A1*	11/2008	Biggie A61M 1/0088 138/137
8,252,971 B2	8/2012	Aali et al.	2009/0012501 A1	1/2009	Boehringer et al.
8,267,908 B2	9/2012	Coulthard	2009/0054855 A1	2/2009	Blott et al.
8,298,200 B2	10/2012	Vess et al.	2009/0099519 A1*	4/2009	Kaplan A61F 7/12 604/113
8,314,283 B2	11/2012	Kingsford et al.	2009/0124988 A1	5/2009	Coulthard
8,328,858 B2	12/2012	Barsky et al.	2009/0126103 A1	5/2009	Dietrich et al.
8,361,043 B2	1/2013	Hu et al.	2009/0131892 A1	5/2009	Karpowicz et al.
8,372,049 B2	2/2013	Jaeb et al.	2009/0157016 A1	6/2009	Adahan
8,382,731 B2	2/2013	Johannison	2009/0227935 A1	9/2009	Zanella et al.
8,403,899 B2	3/2013	Sherman	2009/0227968 A1	9/2009	Vess
8,404,921 B2	3/2013	Lee et al.	2009/0227969 A1	9/2009	Jaeb et al.
D679,819 S	4/2013	Peron	2009/0240185 A1	9/2009	Jaeb et al.
D679,820 S	4/2013	Peron	2009/0264837 A1	10/2009	Adahan
8,444,611 B2	5/2013	Wilkes et al.	2009/0281471 A1	11/2009	Iwahashi et al.
8,506,554 B2	8/2013	Adahan	2009/0293887 A1	12/2009	Wilkes et al.
8,535,296 B2	9/2013	Blott et al.	2009/0299249 A1	12/2009	Wilkes et al.
8,540,699 B2	9/2013	Miller et al.	2009/0299251 A1	12/2009	Buan
8,545,466 B2	10/2013	Andresen et al.	2009/0299255 A1	12/2009	Kazala, Jr. et al.
D705,428 S	5/2014	Cheney et al.	2009/0299257 A1	12/2009	Long et al.
D705,429 S	5/2014	Cheney et al.	2009/0299303 A1	12/2009	Seegert
8,715,256 B2	5/2014	Greener	2009/0299308 A1	12/2009	Kazala et al.
8,764,732 B2	7/2014	Hartwell	2009/0299340 A1	12/2009	Kazala et al.
8,791,316 B2	7/2014	Greener	2009/0299341 A1	12/2009	Kazala et al.
8,795,247 B2	8/2014	Bennett et al.	2009/0312728 A1	12/2009	Randolph et al.
8,801,685 B2	8/2014	Armstrong et al.	2010/0036334 A1	2/2010	Heagle et al.
8,808,274 B2	8/2014	Hartwell	2010/0055158 A1	3/2010	Vitaris et al.
8,814,842 B2	8/2014	Coulthard et al.	2010/0069850 A1	3/2010	Fabo
D713,967 S	9/2014	Adoni	2010/0069858 A1	3/2010	Olson
D714,433 S	9/2014	Armstrong et al.	2010/0069863 A1	3/2010	Olson
8,864,748 B2	10/2014	Coulthard et al.	2010/0069885 A1	3/2010	Stevenson et al.
8,905,985 B2	12/2014	Allen et al.	2010/0084074 A1	4/2010	McClernon et al.
8,951,235 B2	2/2015	Allen et al.	2010/0106120 A1	4/2010	Holm
9,033,942 B2	5/2015	Vess	2010/0106121 A1	4/2010	Holm
9,050,398 B2	6/2015	Armstrong et al.	2010/0121286 A1	5/2010	Locke et al.
9,061,095 B2	6/2015	Adie et al.	2010/0122417 A1	5/2010	Vrzalik et al.
D746,435 S	12/2015	Armstrong et al.	2010/0125234 A1	5/2010	Smith
9,220,822 B2	12/2015	Hartwell et al.	2010/0125258 A1	5/2010	Coulthard et al.
RE45,864 E	1/2016	Peron	2010/0160901 A1	6/2010	Hu et al.
D750,789 S *	3/2016	Mackay D24/189	2010/0210986 A1	8/2010	Sanders
D755,980 S *	5/2016	Jakobsen D24/189	2010/0217177 A1	8/2010	Cali et al.
RE46,289 E	1/2017	Peron	2010/0262091 A1	10/2010	Larsson
D790,071 S *	6/2017	Ahsani D24/189	2010/0268198 A1	10/2010	Buan et al.
2001/0051178 A1	12/2001	Blatchford et al.	2010/0305490 A1	12/2010	Coulthard et al.
2002/0019602 A1	2/2002	Geng	2010/0305526 A1	12/2010	Robinson et al.
2002/0110672 A1	8/2002	Muratore-Pallatino et al.	2010/0318052 A1	12/2010	Ha et al.
2002/0169405 A1	11/2002	Roberts	2010/0324510 A1*	12/2010	Andresen A61M 1/0088 604/319
2003/0009122 A1	1/2003	Veras	2010/0324516 A1	12/2010	Braga et al.
2003/0045825 A1	3/2003	Etheredge, III	2011/0004172 A1	1/2011	Eckstein et al.
2003/0069563 A1	4/2003	Johnson	2011/0022013 A1	1/2011	Boynton et al.
2003/0114818 A1	6/2003	Benecke et al.	2011/0052664 A1	3/2011	Tennican et al.
2003/0180341 A1	9/2003	Gooch et al.	2011/0054423 A1	3/2011	Blott et al.
2003/0199800 A1	10/2003	Levin	2011/0092927 A1	4/2011	Wilkes et al.
2003/0212359 A1	11/2003	Butler	2011/0098621 A1	4/2011	Fabo et al.
2004/0030304 A1	2/2004	Hunt et al.	2011/0106030 A1	5/2011	Scholz
2004/0078011 A1	4/2004	Stevens	2011/0112492 A1	5/2011	Bharti et al.

(56)

References Cited

U.S. PATENT DOCUMENTS

2011/0130712 A1 6/2011 Topaz
 2011/0137222 A1 6/2011 Masini
 2011/0178375 A1 7/2011 Forster
 2011/0218509 A1 9/2011 Dontas
 2011/0230849 A1* 9/2011 Coulthard A61M 1/0088
 604/319
 2011/0245788 A1 10/2011 Marquez Canada
 2011/0247636 A1 10/2011 Pollack
 2011/0282309 A1* 11/2011 Adie A61M 1/0088
 604/319
 2012/0065664 A1 3/2012 Avitable et al.
 2012/0095426 A1 4/2012 Visscher et al.
 2012/0101465 A1 4/2012 Mcguire, Jr.
 2012/0123311 A1 5/2012 Weidemann-Hendrickson et al.
 2012/0165764 A1* 6/2012 Allen A61M 1/0031
 604/319
 2012/0172778 A1 7/2012 Rastegar et al.
 2012/0203145 A1 8/2012 Nilsson
 2012/0203189 A1 8/2012 Barta et al.
 2012/0232502 A1 9/2012 Lowing
 2012/0238932 A1 9/2012 Atteia et al.
 2012/0302976 A1 11/2012 Locke et al.
 2013/0030395 A1 1/2013 Croizat et al.
 2014/0121615 A1 5/2014 Locke et al.
 2014/0194835 A1 7/2014 Ehlert
 2014/0343520 A1 11/2014 Bennett et al.
 2015/0141941 A1 5/2015 Allen et al.
 2015/0174304 A1 6/2015 Askem et al.
 2015/0190288 A1* 7/2015 Dunn A61F 13/00068
 604/319
 2016/0144084 A1 5/2016 Collinson et al.

FOREIGN PATENT DOCUMENTS

CN 1874806 A 12/2006
 CN 101600464 12/2009
 DE 90 17 289 4/1992
 DE 198 44 355 4/2000
 EP 0 541 251 5/1993
 EP 0 619 105 A1 10/1994
 EP 0 392 640 6/1995
 EP 0 441 418 7/1995
 EP 0 465 601 B1 1/1997
 EP 0 751 757 1/1997
 EP 0 777 504 B1 10/1998
 EP 0 941 726 9/1999
 EP 1 018 967 7/2000
 EP 0 865 304 B1 7/2001
 EP 0 853 950 B1 10/2002
 EP 0 708 620 5/2003
 EP 1 088 569 B1 8/2003
 EP 0 993 317 9/2003
 EP 1 440 667 7/2004
 EP 1 448 261 8/2004
 EP 1 452 156 9/2004
 EP 1 100 574 2/2005
 EP 0 688 189 6/2005
 EP 1 284 777 4/2006
 EP 0 982 015 8/2006
 EP 0 620 720 B1 11/2006
 EP 1 171 065 3/2007
 EP 1 227 853 1/2008
 EP 1 476 217 3/2008
 EP 1 233 808 7/2008
 EP 1 977 776 10/2008
 EP 2 098 257 A1 9/2009
 EP 1 513 478 12/2009
 EP 2 127 690 12/2009
 EP 1 905 465 1/2010
 EP 2 127 690 3/2010
 EP 2 161 011 3/2010
 EP 2 172 164 4/2010
 EP 2 319 550 5/2011
 EP 2 335 749 A1 6/2011

EP 1 578 477 9/2011
 EP 2 366 721 9/2011
 EP 1 487 389 10/2011
 EP 1 169 071 2/2012
 EP 2 529 766 12/2012
 EP 2 413 858 1/2013
 EP 2 545 946 3/2013
 EP 2 659 915 11/2013
 EP 2 628 500 5/2014
 EP 1 339 366 6/2014
 EP 2 051 675 6/2014
 GB 2 099 306 12/1982
 GB 2 307 180 6/2000
 GB 2 336 546 6/2000
 GB 2 344 531 7/2000
 GB 2 435 422 8/2007
 WO 94/23677 10/1994
 WO 95/04511 2/1995
 WO 95/14451 6/1995
 WO 96/21410 7/1996
 WO 97/11658 4/1997
 WO 99/01173 1/1999
 WO 99/39671 8/1999
 WO 00/07653 2/2000
 WO 00/42957 7/2000
 WO 01/85248 11/2001
 WO 02/17840 3/2002
 WO 02/26180 4/2002
 WO 02/38096 5/2002
 WO 02/076379 10/2002
 WO 03/057070 7/2003
 WO 03/086232 10/2003
 WO 2004/073566 9/2004
 WO 2005/016179 2/2005
 WO 2005/061025 7/2005
 WO 2006/052338 5/2006
 WO 2006/052745 5/2006
 WO 2007/006306 1/2007
 WO 2007/013049 2/2007
 WO 2007/013064 2/2007
 WO 2007/016590 2/2007
 WO 2007/019038 2/2007
 WO 2007/085396 8/2007
 WO 2007/092397 8/2007
 WO 2007/095180 8/2007
 WO 2007/106590 9/2007
 WO 2007/106591 9/2007
 WO 2008/008032 1/2008
 WO 2008/012278 1/2008
 WO 2008/027449 3/2008
 WO 2008/043067 4/2008
 WO 2008/049277 5/2008
 WO 2008/100437 8/2008
 WO 2008/100440 8/2008
 WO 2008/100446 8/2008
 WO 2008/131895 11/2008
 WO 2008/135997 11/2008
 WO 2008/141470 11/2008
 WO 2009/002260 12/2008
 WO 2009/019227 2/2009
 WO 2009/019229 2/2009
 WO 2009/146441 3/2009
 WO 2009/068665 6/2009
 WO 2009/086580 7/2009
 WO 2009/088925 7/2009
 WO 2009/103031 8/2009
 WO 2009/111655 9/2009
 WO 2009/111657 9/2009
 WO 2009/137194 11/2009
 WO 2009/140376 11/2009
 WO 2009/145894 12/2009
 WO 2009/158125 12/2009
 WO 2009/158126 12/2009
 WO 2009/158127 12/2009
 WO 2009/158129 12/2009
 WO 2010/014177 2/2010
 WO 2010/033271 3/2010
 WO 2010/033272 3/2010
 WO 2010/033574 3/2010

(56)

References Cited

FOREIGN PATENT DOCUMENTS

WO	WO 2010/033769	3/2010
WO	WO 2010/035017	4/2010
WO	WO 2010/051073	5/2010
WO	WO 2010/059712	5/2010
WO	WO 2010/059730	5/2010
WO	WO 2010/072395	7/2010
WO	WO 2010/078166	7/2010
WO	WO 2010/082872	7/2010
WO	WO 2010/089448	8/2010
WO	WO 2010/139926	12/2010
WO	WO 2010/147533	12/2010
WO	WO 2010/147592	12/2010
WO	WO 2011/019476	2/2011
WO	WO 2011/023275	3/2011
WO	WO 2011/023650	3/2011
WO	WO 2011/049562	4/2011
WO	WO 2011/087871	7/2011
WO	WO 2011/100851	8/2011
WO	WO 2011/115908	9/2011
WO	WO 2011/128651	10/2011
WO	WO 2011/135285	11/2011
WO	WO 2012/009370	1/2012
WO	WO 2012/074512	6/2012
WO	WO 2012/142002	10/2012
WO	WO 2012/146656	11/2012
WO	WO 2012/150235	11/2012
WO	WO 2012/166428	12/2012
WO	WO 2013/016239	1/2013
WO	WO 2013/019438	2/2013

WO	WO 2013/043972	3/2013
WO	WO 2013/123005	8/2013
WO	WO 2014/043238	9/2014
WO	WO 2014/158526	10/2014

OTHER PUBLICATIONS

European Extended Search Report, re EPO Application No. 09839009.9, dated Feb. 23, 2016.

International Invitation to Pay and Partial Search Report re PCT/IB2013/001469, dated Nov. 25, 2013.

Allevyn Educational Booklet, Smith & Nephew Medical Ltd, Apr. 2014.

Allevyn Wound Dressings Pamphlet, Smith & Nephew, Inc., 2008.

International Search Report and Written Opinion for International Application No. PCT/IB2013/001469, dated Feb. 7, 2014.

KCI Licensing, Prevena™ Incision Management System, Jan. 2010.

KCI Licensing, Prevena™ Incision Management System Patient Guide, Jan. 2010.

KCI, Prevena™ Incision Management System Clinician Guide, Jan. 2010.

Smith & Nephew, "PICO Simplified Negative Pressure Wound Therapy", sales brochure in 2 pages, Jul. 2011, Australia and New Zealand.

Design U.S. Appl. No. 29/551,890.

Design U.S. Appl. No. 29/548,270.

Teder et al., "Continuous Wound Irrigation in the Pig," Journal of Investigative Surgery, vol. 3, 1990, pp. 399-407.

* cited by examiner

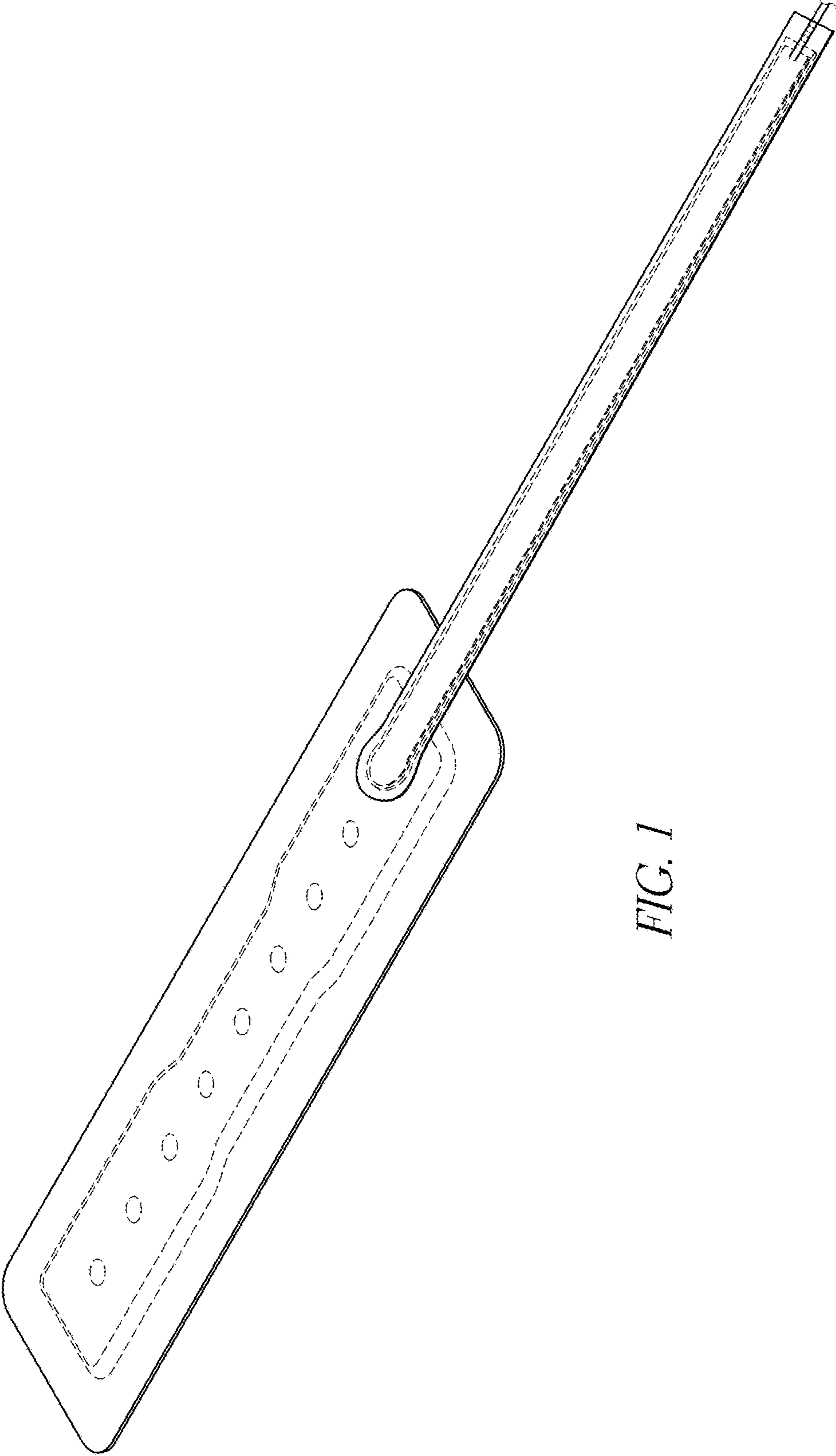


FIG. 1

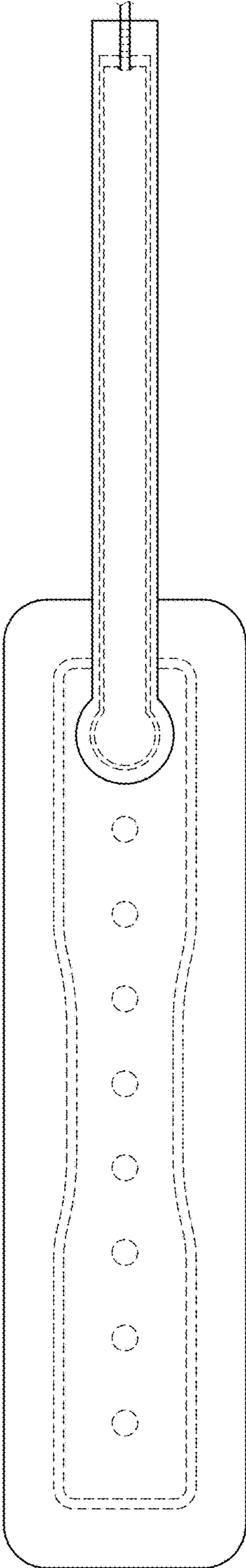


FIG. 2

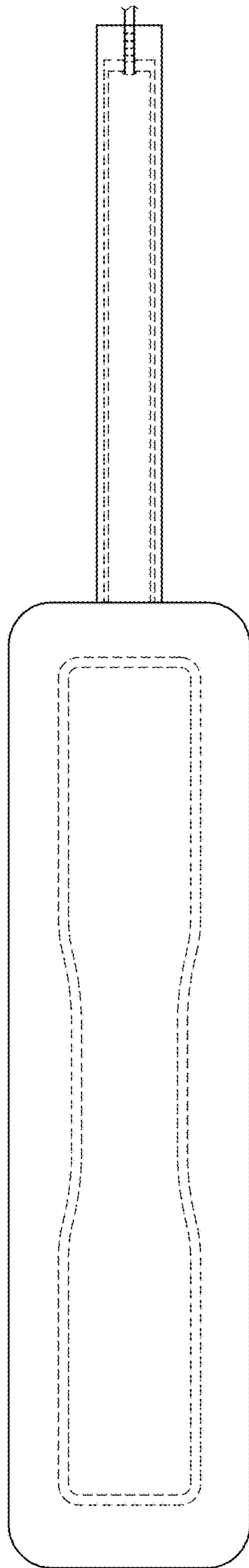


FIG. 3



FIG. 4

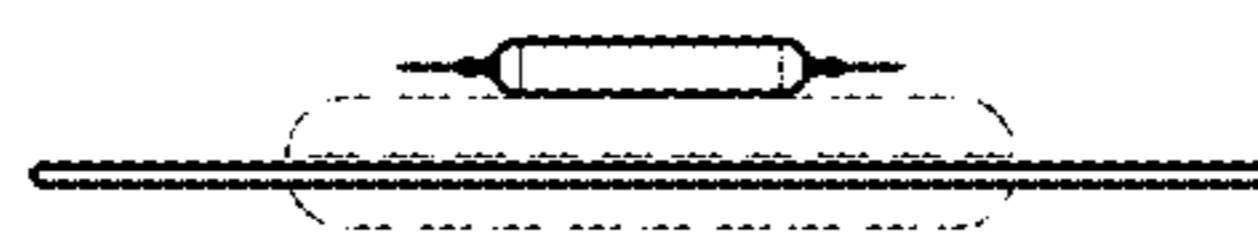


FIG. 5

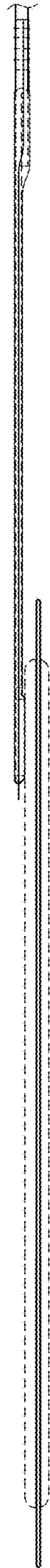


FIG. 6