



US00D806254S

(12) **United States Design Patent**
Im et al.

(10) **Patent No.:** **US D806,254 S**
(45) **Date of Patent:** **** Dec. 26, 2017**

(54) **APPARATUS FOR MEDICAL DIAGNOSIS**

(71) Applicant: **SAMSUNG ELECTRONICS CO., LTD.**, Suwon-si, Gyeonggi-do (KR)

(72) Inventors: **Seungbin Im**, Yongin-si (KR);
Sungchan Ko, Suwon-si (KR)

(73) Assignee: **SAMSUNG ELECTRONICS CO., LTD.**, Gyeonggi-Do (KR)

(**) Term: **15 Years**

(21) Appl. No.: **29/566,926**

(22) Filed: **Jun. 3, 2016**

(30) **Foreign Application Priority Data**

Dec. 7, 2015 (KR) 30-2015-0062269

(51) **LOC (10) Cl.** **24-01**

(52) **U.S. Cl.**
USPC **D24/186**

(58) **Field of Classification Search**

USPC D24/134, 164, 165, 167, 169, 186, 187,
D24/200; D10/57, 108, 116.1, 106.1;
D21/529, 324; 374/208; 600/301, 316,
600/322, 345, 372, 398, 483-485, 500,
600/506, 529, 549, 554-555, 586, 588;
D13/164, 171, 162, 174; D19/100;
D26/89, 104; D14/460, 218;
359/827-828; 396/530-532, 448; 200/4
CPC G01K 1/14; G01K 13/002; A61B 5/0002;
A61B 5/14532; A61B 5/1455; A61B
5/0408; A61B 3/16; A61B 5/0205; A61B
5/021; A61B 5/0535; A61B 7/003; A61B
5/01; A61B 5/05; A61B 5/483; A61B
5/4356; G03B 17/14; G03B 17/00; G03B

(Continued)

(56) **References Cited**

U.S. PATENT DOCUMENTS

4,017,878 A * 4/1977 Hagiwara G03B 17/14
396/530
4,307,954 A * 12/1981 Ludwig G03B 17/14
359/828

(Continued)

FOREIGN PATENT DOCUMENTS

EM 001425631-0004 12/2014
KR 300724441 S 1/2014
KR 30-0799682-0001 S 6/2015

Primary Examiner — Karen Kearney

Assistant Examiner — Mark Cavanna

(74) *Attorney, Agent, or Firm* — Cantor Colburn LLP

(57) **CLAIM**

The ornamental design for an apparatus for medical diagnosis, as shown and described.

DESCRIPTION

FIG. 1 is a top perspective view of an apparatus for medical diagnosis showing our new design;

FIG. 2 is a front view thereof;

FIG. 3 is a rear view thereof;

FIG. 4 is a left side view thereof;

FIG. 5 is a right side view thereof;

FIG. 6 is a top view thereof;

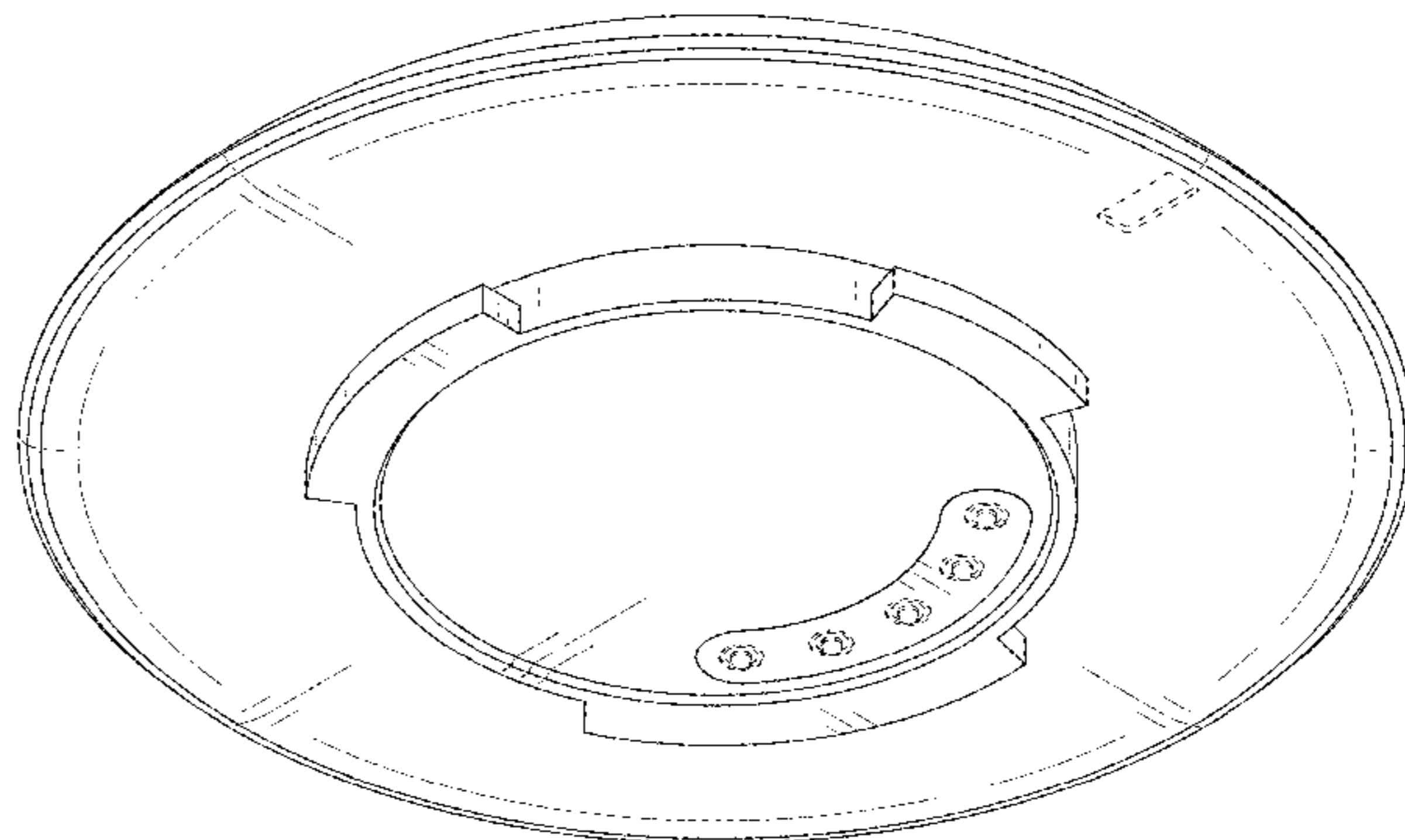
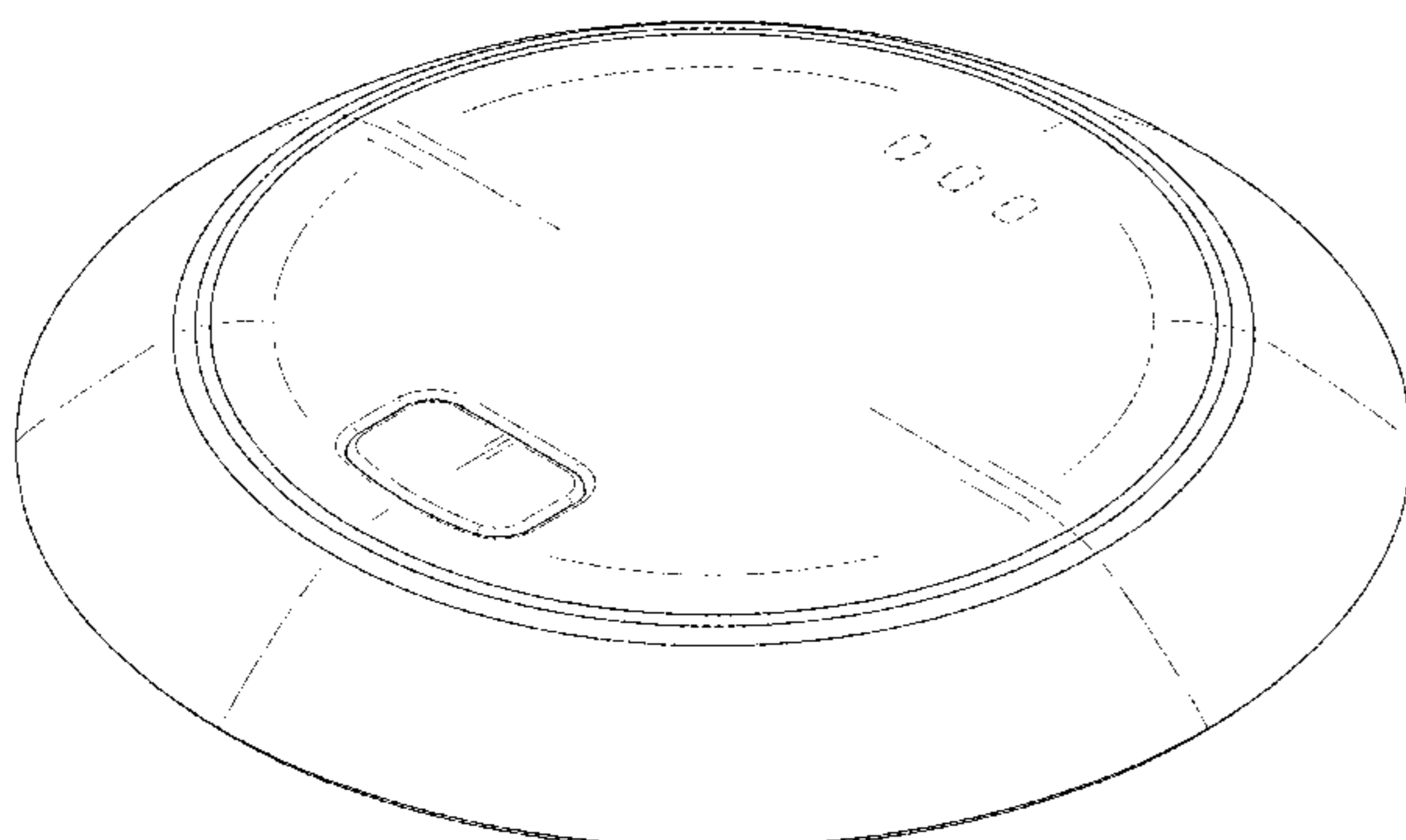
FIG. 7 is a bottom view thereof;

FIG. 8 is another perspective view thereof; and,

FIG. 9 is a top perspective exploded view of an apparatus for medical diagnosis with a measuring instrument module in dot-dot-dash broken lines provided to illustrate an example environment.

The short dash-dash broken lines in the figures show portions of the apparatus for medical diagnosis that form no part of the claimed design. The dot-dot-dash lines in FIG. 9 showing the additional measuring instrument module are included for the purpose of illustrating environment structure and form no part of the claimed design.

1 Claim, 7 Drawing Sheets



(58) **Field of Classification Search**
 CPC 17/565; G02B 7/14; G02B 13/001; G02B
 15/10; H01H 25/008
 See application file for complete search history.

(56) **References Cited**

U.S. PATENT DOCUMENTS

4,659,203 A * 4/1987 Niwa G02B 7/14
 396/531
 4,766,453 A * 8/1988 Shiokama G03B 17/14
 396/532
 4,920,966 A * 5/1990 Hon A61B 5/4356
 600/588
 D317,137 S * 5/1991 Kulikowski D10/108
 D328,617 S * 8/1992 Emmel D10/116.1
 D332,833 S * 1/1993 Lauks D10/78
 D377,983 S * 2/1997 Sabri D24/167
 D413,673 S * 9/1999 Jacobs D24/165
 D415,480 S * 10/1999 Kendall D14/460
 D423,956 S * 5/2000 Chen D10/57
 D429,336 S * 8/2000 Francis D24/167
 D452,012 S * 12/2001 Phillips D24/186
 D464,630 S * 10/2002 Woodworth D13/171
 D492,999 S * 7/2004 Lax D24/167
 D494,633 S * 8/2004 Nussberger D21/324
 D502,414 S * 3/2005 Shibata D10/57
 D516,221 S * 2/2006 Wohlstadter D24/216
 D520,962 S * 5/2006 Seal D13/164
 D537,480 S * 2/2007 Sullivan D19/100
 D556,938 S * 12/2007 Russello D26/89
 7,314,453 B2 * 1/2008 Kuo A61B 5/14532
 600/309
 D586,671 S * 2/2009 Eide D10/57
 D597,211 S * 7/2009 Ewing D24/187
 D597,216 S * 7/2009 McGuigan D24/216
 D600,811 S * 9/2009 Rounds D24/169
 D602,796 S * 10/2009 Lhuillery D10/97
 7,600,930 B2 * 10/2009 Wang G03B 17/00
 396/448
 D607,600 S * 1/2010 Keith D26/104
 D608,451 S * 1/2010 Hanoun D24/186
 D616,550 S * 5/2010 Lhuillery D24/169
 D617,461 S * 6/2010 Kaushal D10/81
 D618,355 S * 6/2010 Delaey D24/185

D622,844 S * 8/2010 Alexander D24/134
 D631,552 S * 1/2011 Kasabach D24/186
 D634,714 S * 3/2011 Kim D13/162
 D642,690 S * 8/2011 Altmann D24/186
 D654,880 S * 2/2012 Lam D13/174
 D659,840 S * 5/2012 Cheng D24/137
 D664,258 S * 7/2012 Harkin D24/169
 D666,929 S * 9/2012 Tyler D10/57
 D685,790 S * 7/2013 Tang D14/218
 8,573,868 B2 * 11/2013 Hasuda G03B 17/565
 396/531
 D701,964 S * 4/2014 Yoneta D24/187
 8,687,299 B1 * 4/2014 Sanford G02B 15/10
 359/827
 D713,963 S * 9/2014 Liedtke D24/169
 D717,459 S * 11/2014 Lin D24/216
 8,894,585 B2 * 11/2014 Hasbun A61B 5/0051
 600/301
 8,894,933 B2 * 11/2014 Cadio A61B 5/14532
 422/68.1
 D718,868 S * 12/2014 Schroderus D24/167
 D726,924 S * 4/2015 Tseng D24/186
 D729,179 S * 5/2015 Cheung D13/171
 D729,773 S * 5/2015 Salojarvi D14/218
 D748,807 S * 2/2016 Wawro D24/186
 D755,396 S * 5/2016 Rechberg D24/186
 D757,275 S * 5/2016 Lee D24/187
 D757,585 S * 5/2016 Hojmose D10/106.1
 D765,252 S * 8/2016 Emeric D24/169
 D767,770 S * 9/2016 Purfey D24/186
 D783,838 S * 4/2017 Zhao D24/186
 2002/0188181 A1 * 12/2002 Boit G06F 1/1632
 600/300
 2010/0116629 A1 * 5/2010 Borissov H01H 25/008
 200/4
 2011/0034786 A1 * 2/2011 Cadio A61B 5/14532
 600/316
 2011/0055447 A1 * 3/2011 Costa G06F 1/1632
 710/304
 2012/0172760 A1 * 7/2012 Roe A61B 5/150022
 600/583
 2015/0039007 A1 * 2/2015 Chen A61B 5/1411
 606/183
 2015/0305621 A1 * 10/2015 Khan A61B 5/0053
 600/587

* cited by examiner

FIG. 1

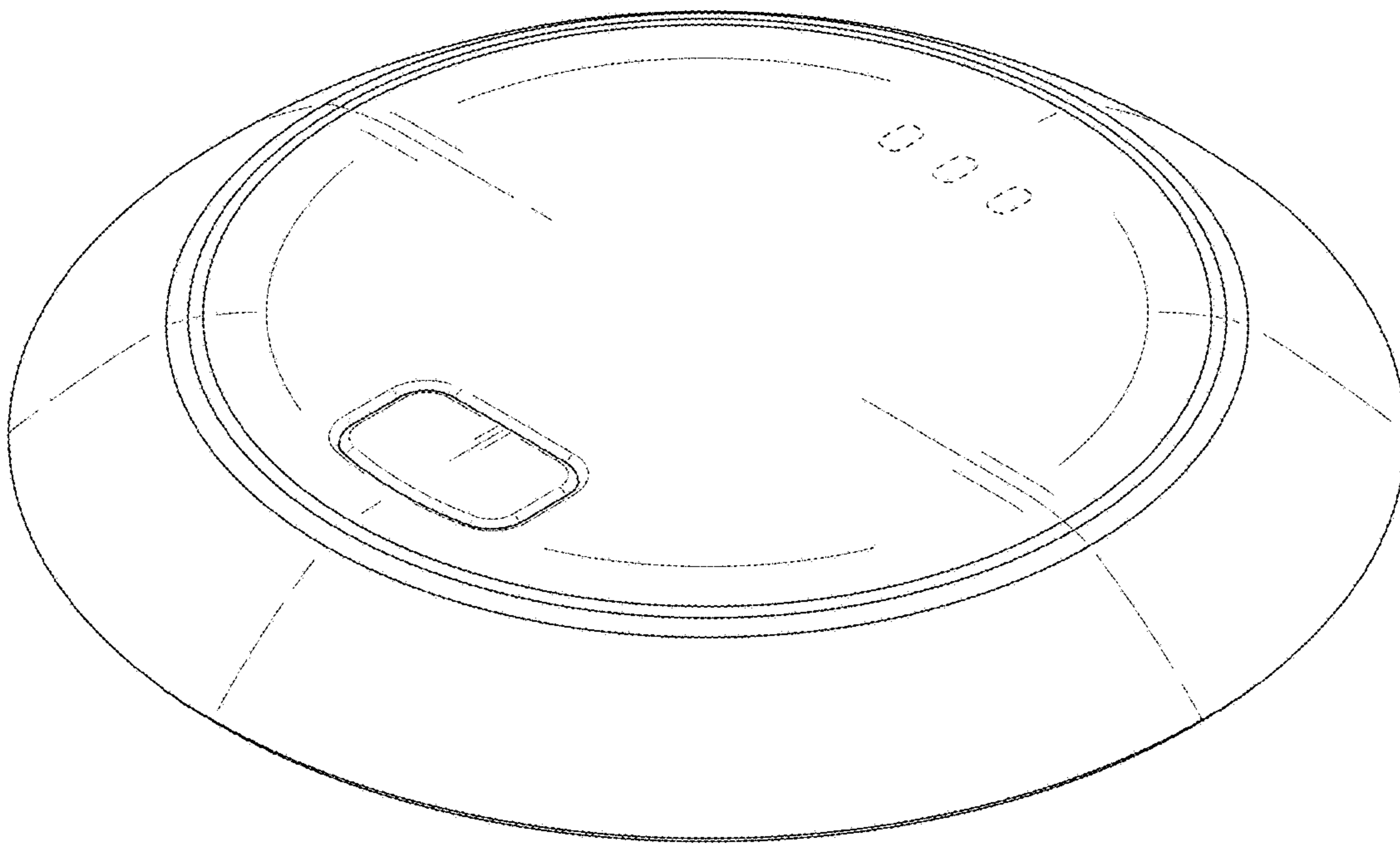


FIG. 2

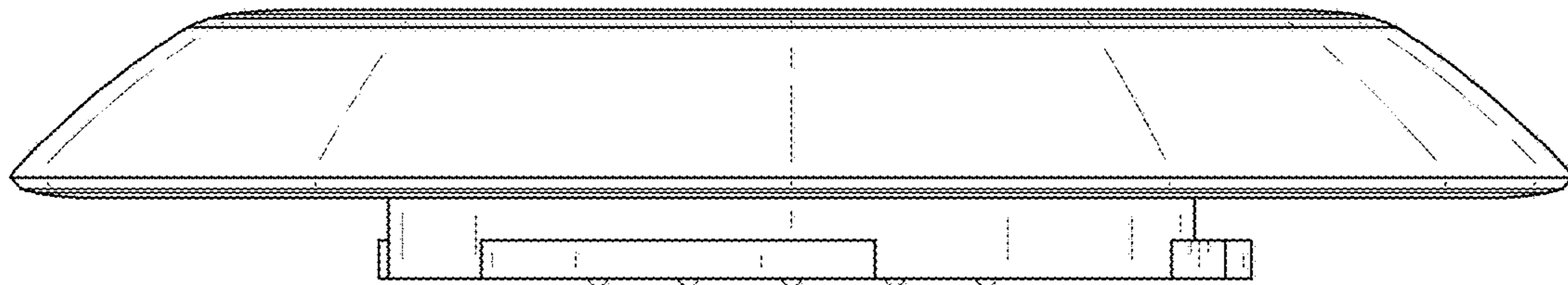


FIG. 3

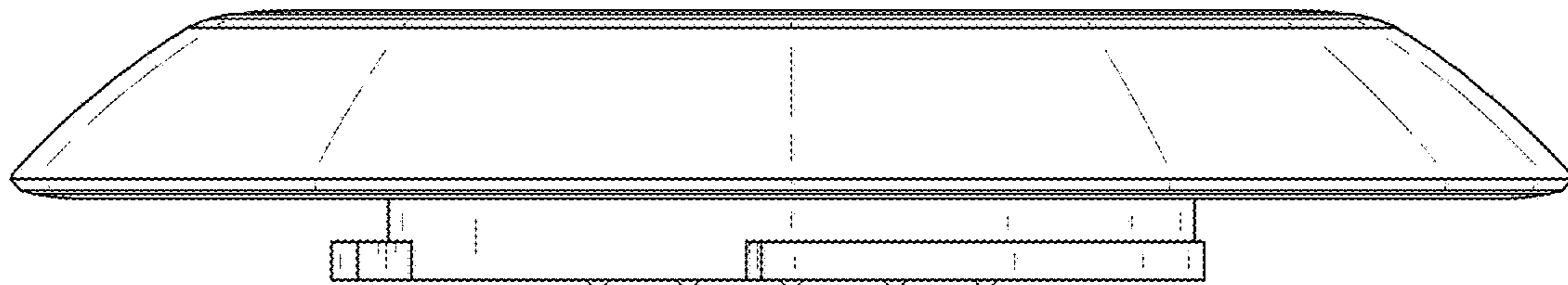


FIG. 4

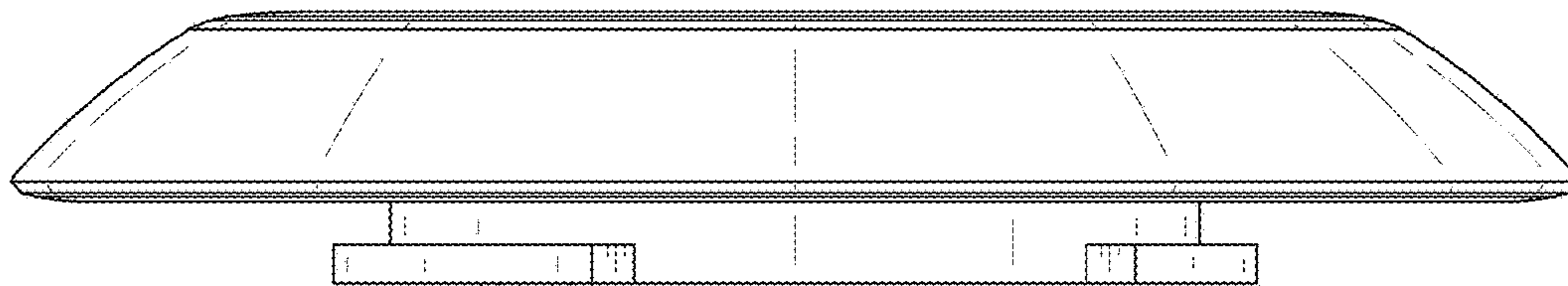


FIG. 5

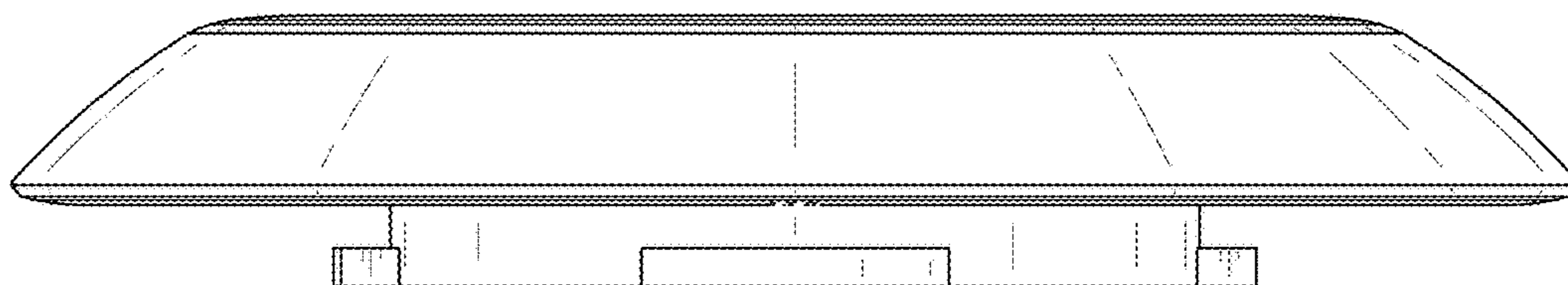


FIG. 6

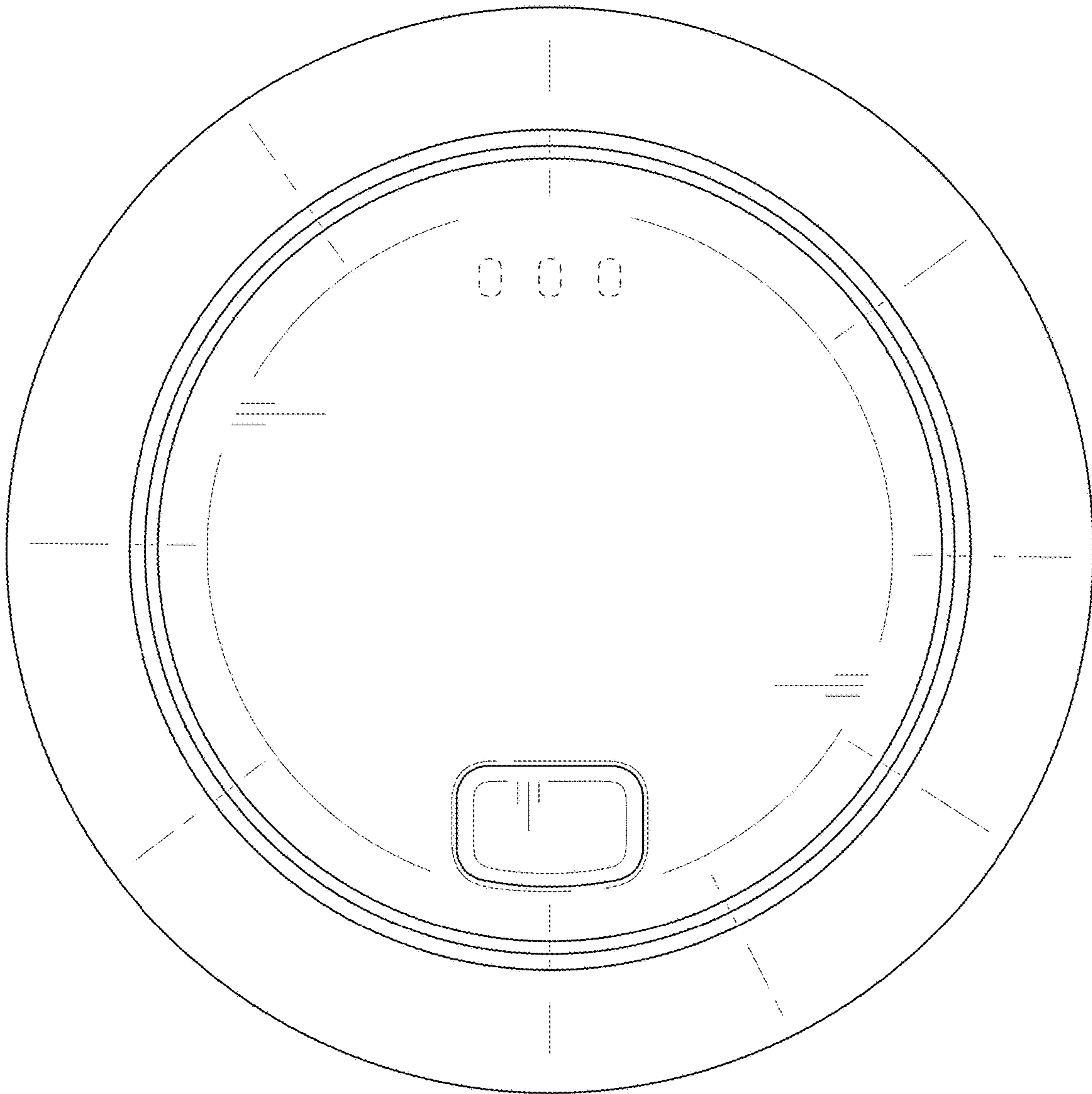


FIG. 7

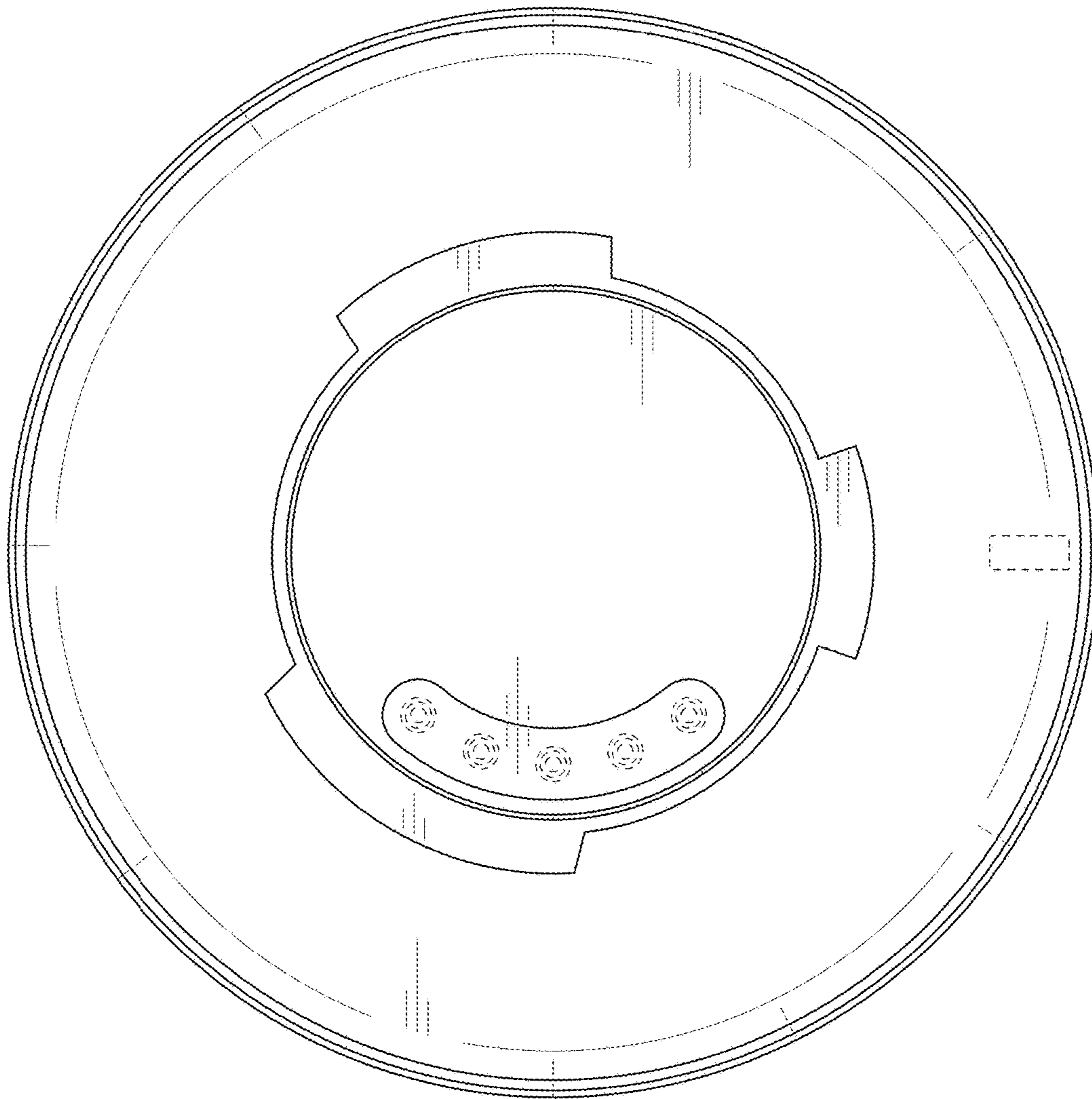


FIG. 8

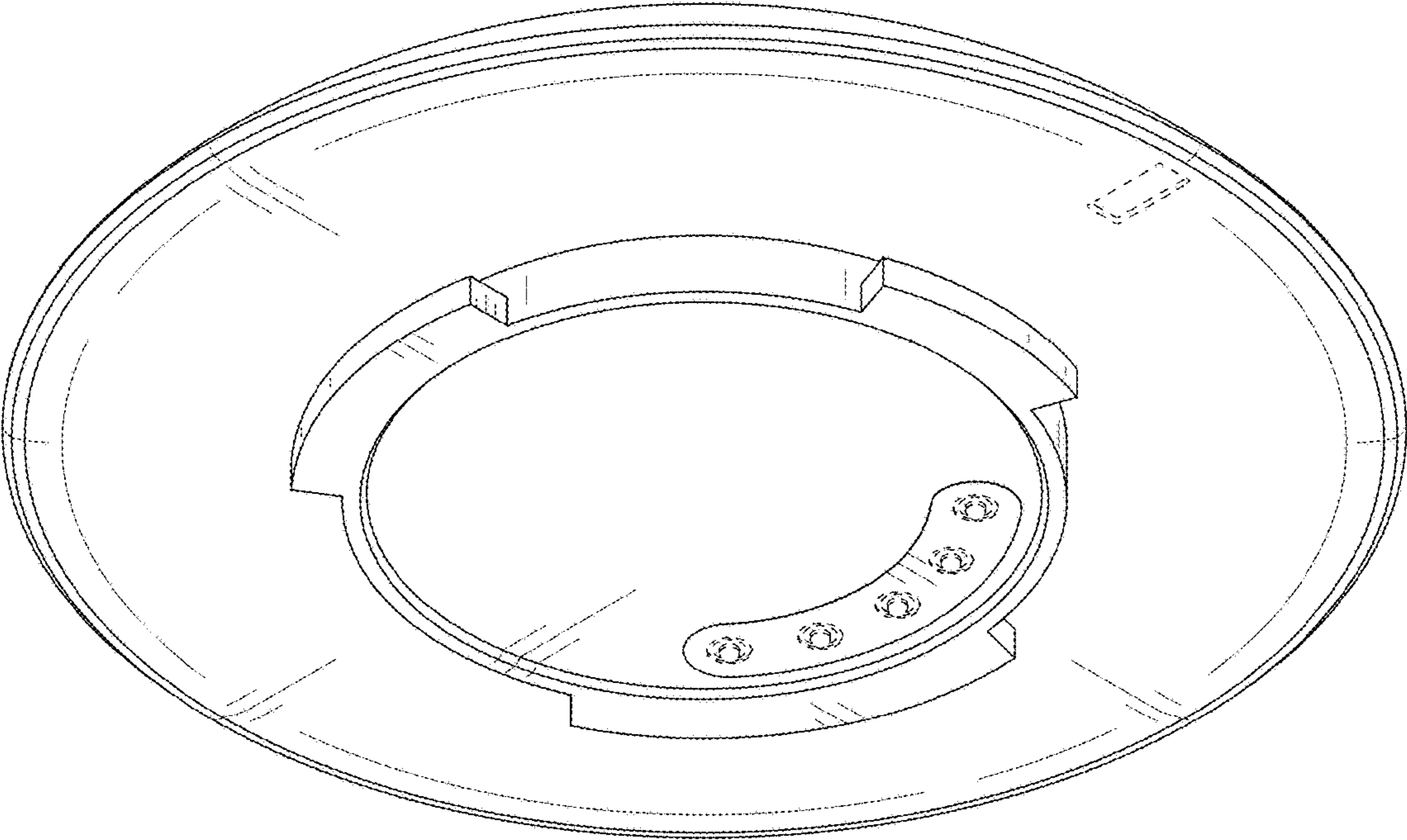


FIG. 9

