



US00D806253S

(12) **United States Design Patent** (10) **Patent No.:** **US D806,253 S**
Lockenwitz (45) **Date of Patent:** **** Dec. 26, 2017**

(54) **HEARING AID**

(71) Applicant: **Oticon A/S**, Smørum (DK)

(72) Inventor: **Christian Lockenwitz**, København (DK)

(73) Assignee: **OTICON A/S**, Smørum (DK)

(**) Term: **15 Years**

(21) Appl. No.: **29/582,651**

(22) Filed: **Oct. 28, 2016**

(30) **Foreign Application Priority Data**

Apr. 28, 2016 (EM) 003098615-0001
 Apr. 28, 2016 (EM) 003098615-0002

(51) **LOC (10) Cl.** **24-99**

(52) **U.S. Cl.**
USPC **D24/174**

(58) **Field of Classification Search**

USPC D24/173-175; D14/205, 223-226, 249
 CPC .. H04R 2225/025; H04R 25/60; H04R 25/63;
 H04R 25/67; H04R 25/602; H04R
 25/604; H04R 25/608; H04R 25/65;
 H04R 25/652

See application file for complete search history.

(56) **References Cited**

U.S. PATENT DOCUMENTS

D647,204 S * 10/2011 Borregaard D24/175
 D674,094 S * 1/2013 Takano D24/174

D698,027 S * 1/2014 Olsen D24/174
 D705,936 S * 5/2014 Lockenwitz D24/174
 8,873,784 B2 * 10/2014 Borregaard H04R 25/602
 381/322
 D734,472 S * 7/2015 Meinertz D24/174
 D773,671 S * 12/2016 Johner D24/174

* cited by examiner

Primary Examiner — Anhdao Doan

(74) *Attorney, Agent, or Firm* — Birch, Stewart, Kolasch & Birch, LLP

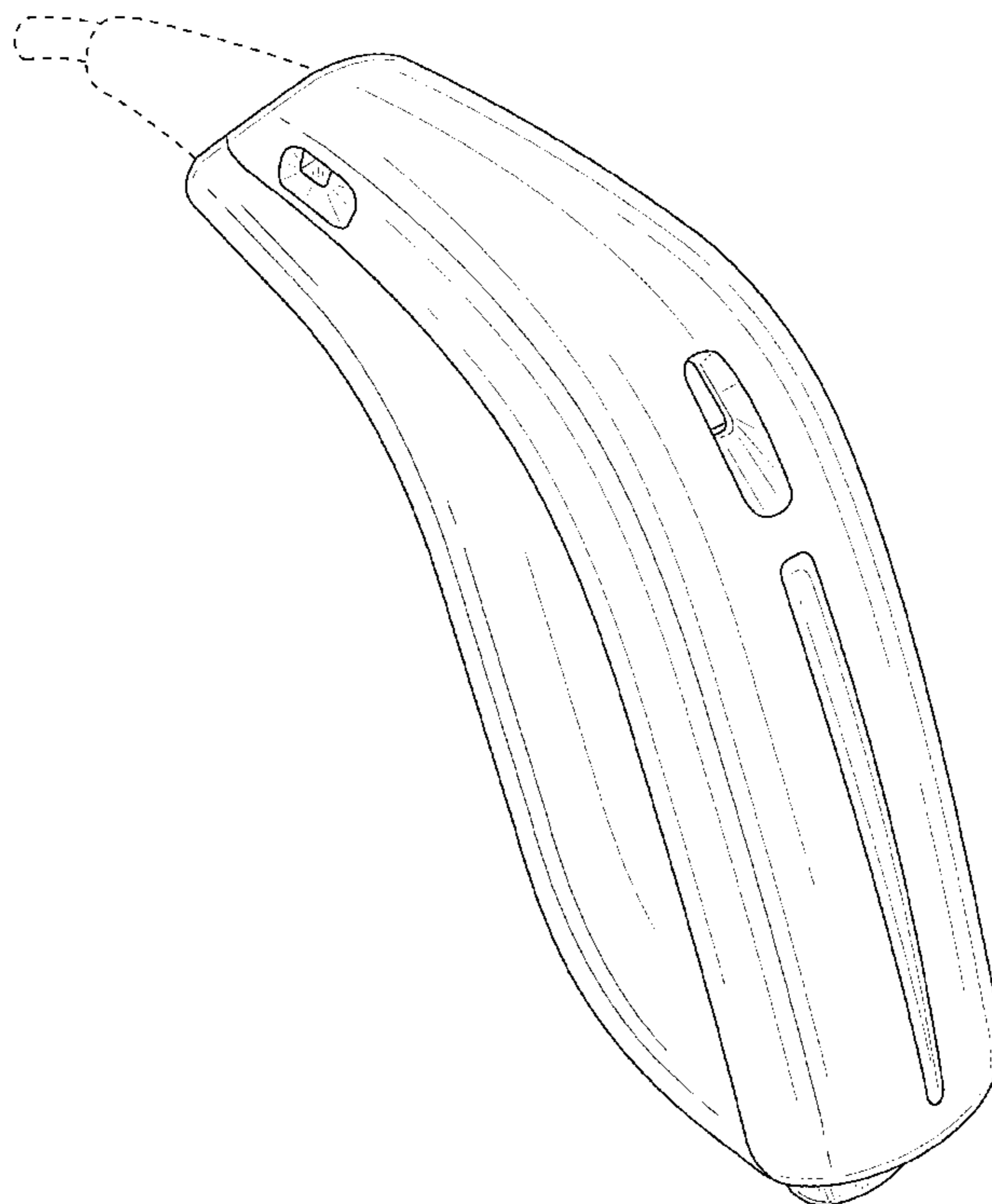
(57) **CLAIM**

The ornamental design for a hearing aid, as shown and described.

DESCRIPTION

FIG. 1 is a perspective view of the hearing aid;
 FIG. 2 is a left side view of the hearing aid;
 FIG. 3 is a right side view of the hearing aid;
 FIG. 4 is a front view of the hearing aid;
 FIG. 5 is a rear view of the hearing aid;
 FIG. 6 is a top view of the hearing aid; and,
 FIG. 7 is a bottom side of the hearing aid.
 The broken lines immediately adjacent the shaded areas represent the bounds of the claim, while all other broken lines are directed to environment and are for illustrative purposes only; the broken lines form no part of the claimed design.

1 Claim, 7 Drawing Sheets



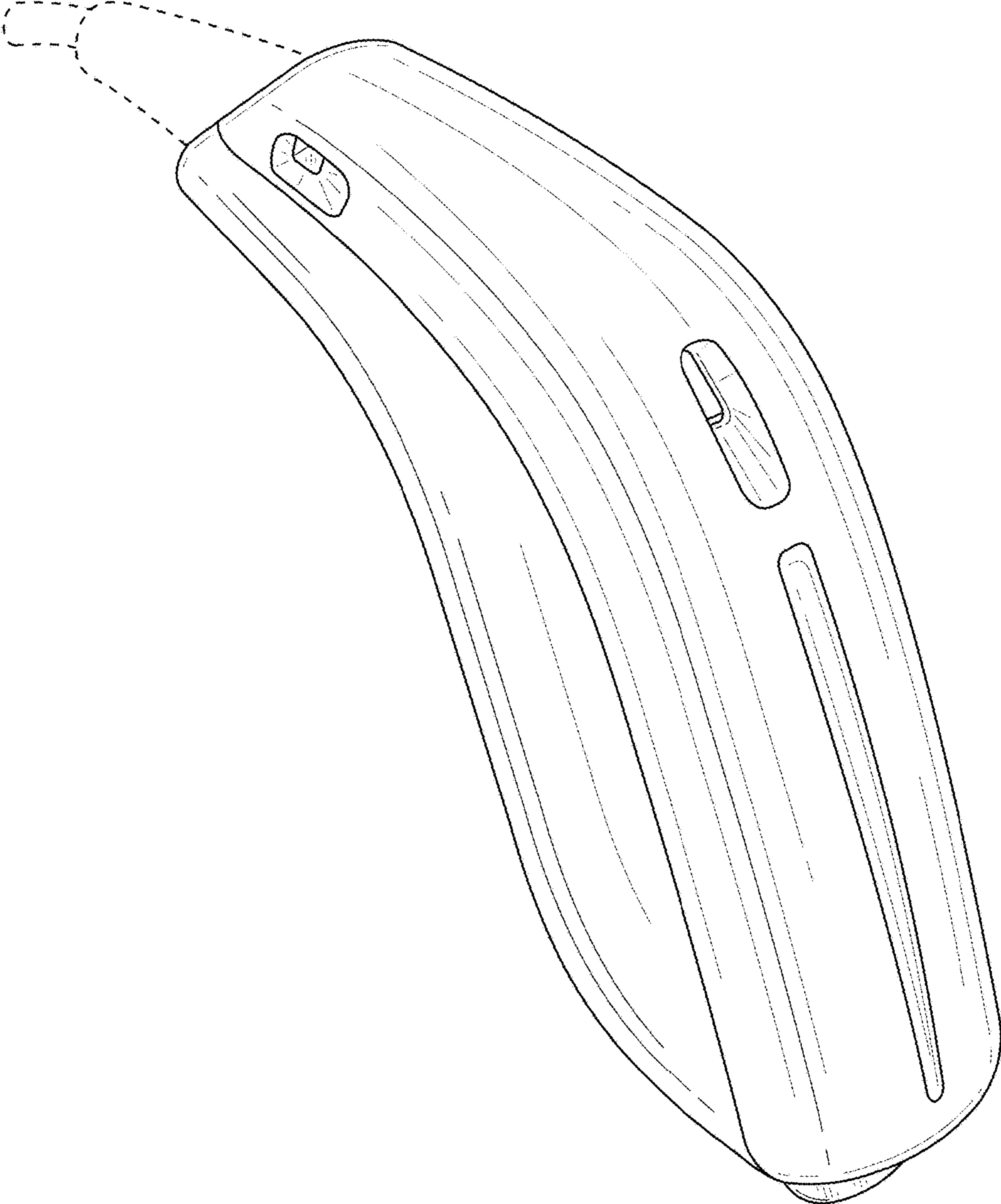


FIG. 1

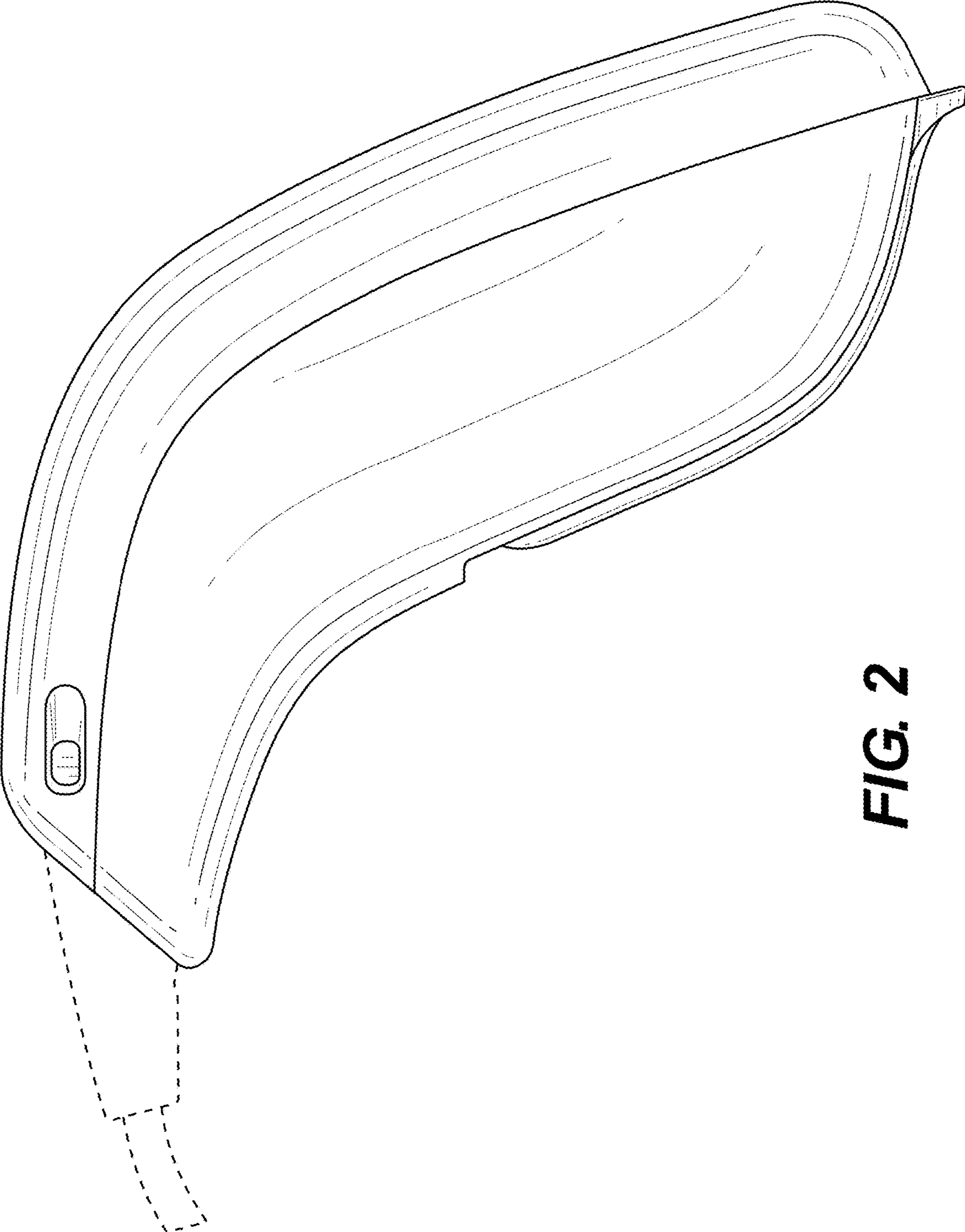


FIG. 2

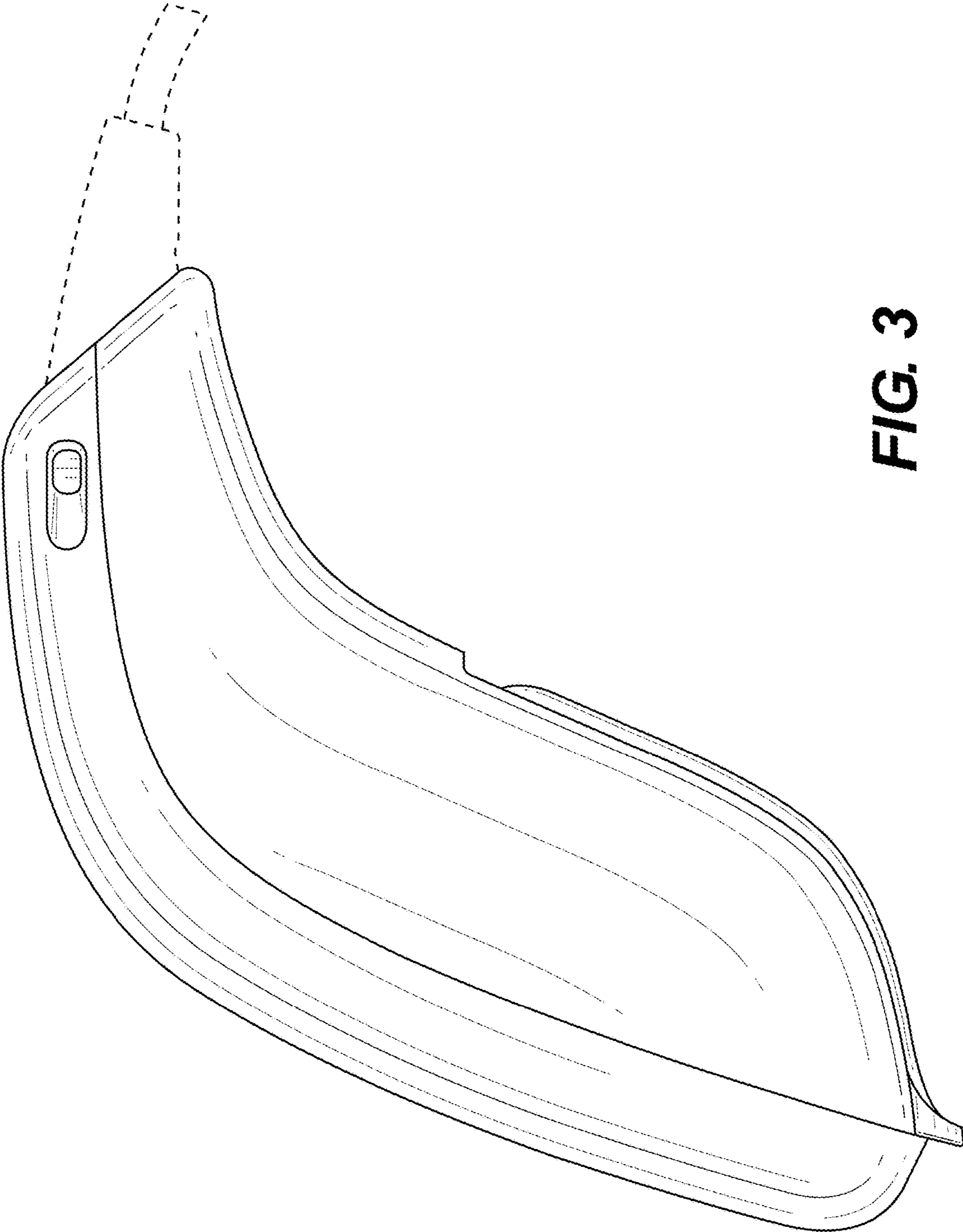


FIG. 3

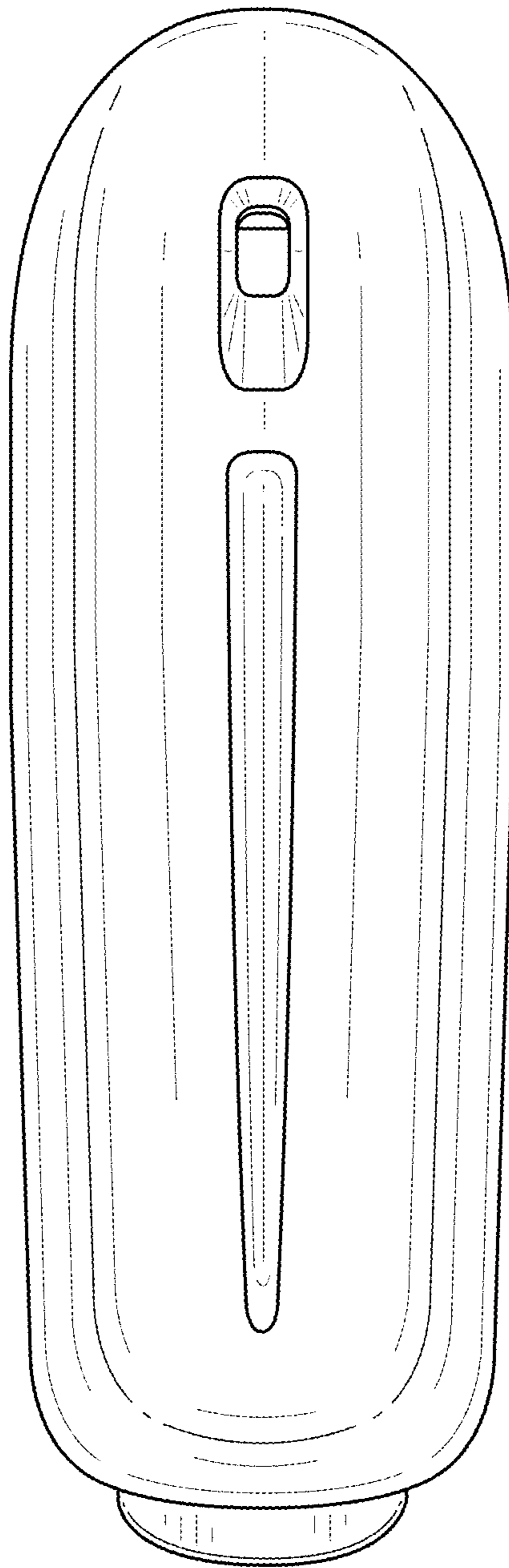


FIG. 4

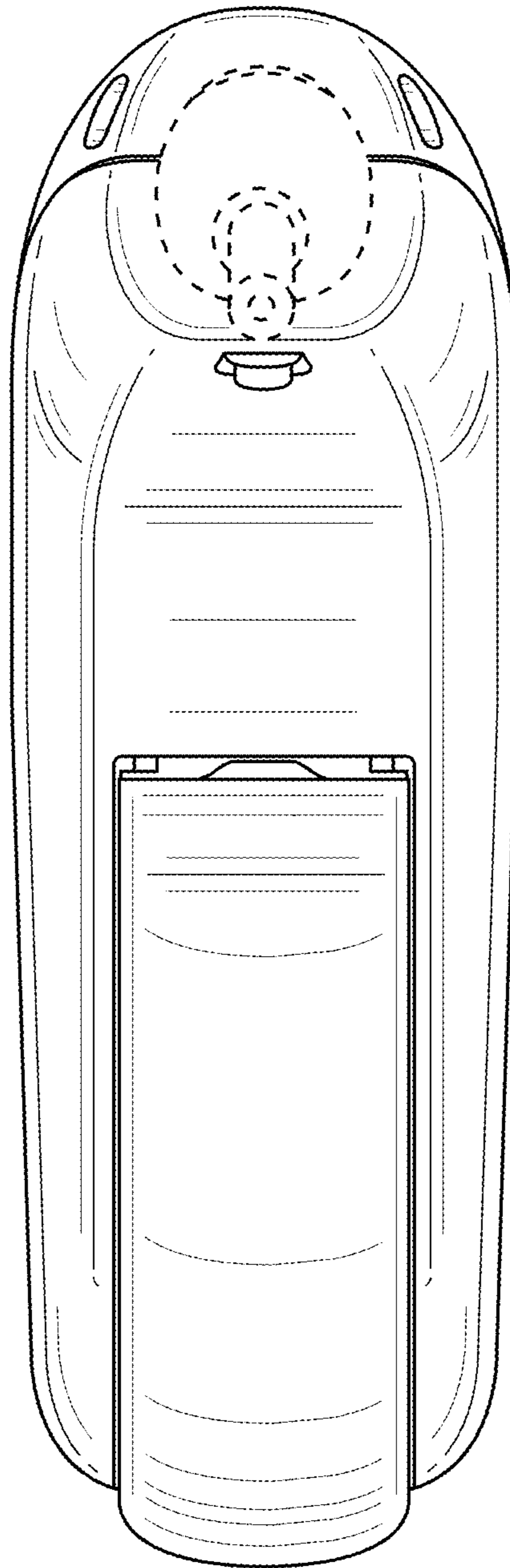


FIG. 5

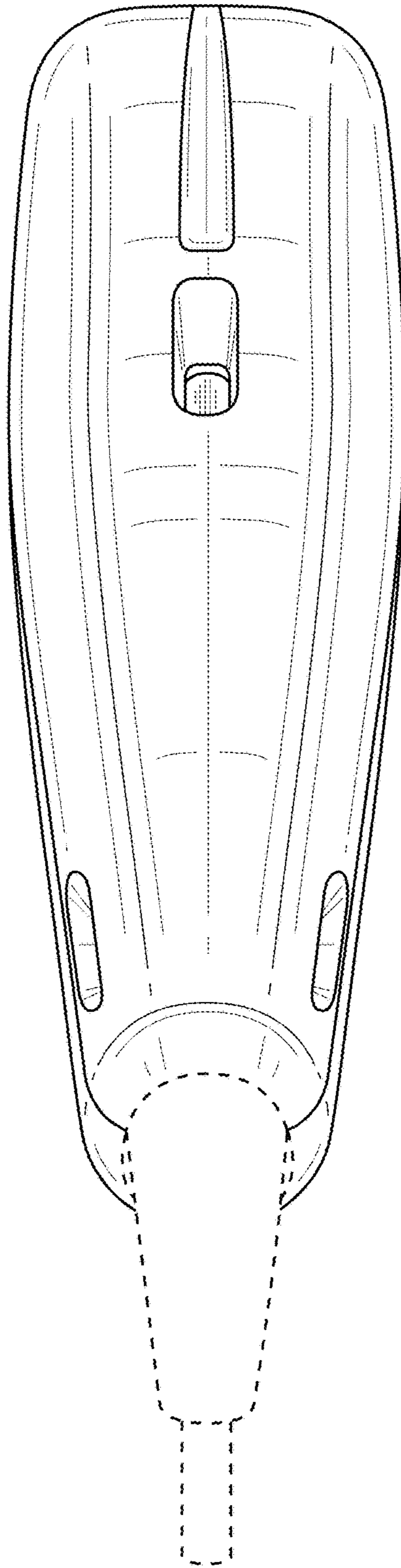


FIG. 6

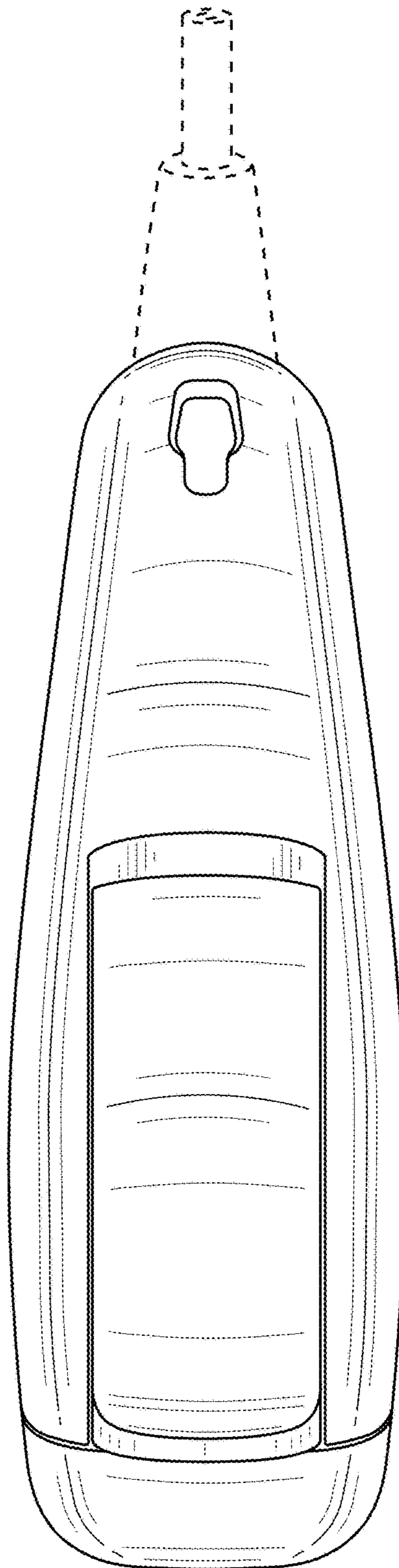


FIG. 7