



US00D806250S

(12) **United States Design Patent** (10) **Patent No.:** **US D806,250 S**  
**Im et al.** (45) **Date of Patent:** **\*\* Dec. 26, 2017**

(54) **MEDICAL DEVICE**

(71) Applicant: **SAMSUNG ELECTRONICS CO., LTD.**, Suwon-si, Gyeonggi-do (KR)

(72) Inventors: **Seungbin Im**, Yongin-si (KR);  
**Sungchan Ko**, Suwon-si (KR)

(73) Assignee: **SAMSUNG ELECTRONICS CO., LTD.**, Gyeonggi-Do (KR)

(\*\*) Term: **15 Years**

(21) Appl. No.: **29/566,919**

(22) Filed: **Jun. 3, 2016**

(30) **Foreign Application Priority Data**

Dec. 7, 2015 (KR) ..... 30-2015-0062267

(51) **LOC (10) Cl.** ..... **24-02**

(52) **U.S. Cl.**  
USPC ..... **D24/165**

(58) **Field of Classification Search**  
USPC ..... D24/107, 184-186, 164-168; D10/30,  
D10/46, 70, 96, 98, 104.1; 600/301,  
600/481-483, 485, 490, 493-495, 500,  
600/503, 509; 128/900  
CPC . A61B 5/02141; A61B 5/022; A61B 5/02225;  
A61B 5/02233

See application file for complete search history.

(56) **References Cited**

**U.S. PATENT DOCUMENTS**

6,015,386 A \* 1/2000 Kensey ..... A61B 5/0031  
128/900  
D442,094 S \* 5/2001 Seo ..... D10/65  
D492,783 S \* 7/2004 Lax ..... D24/167  
D511,467 S \* 11/2005 Sanoner ..... D10/70  
D555,018 S \* 11/2007 Au Yeung ..... D10/70  
D574,496 S \* 8/2008 Kitamura ..... D24/165

D714,668 S \* 10/2014 Loeb ..... D10/98  
D739,941 S \* 9/2015 Uozumi ..... D24/165  
D744,656 S \* 12/2015 Schempp ..... D24/165  
D760,904 S \* 7/2016 Jensen ..... D24/167

(Continued)

**FOREIGN PATENT DOCUMENTS**

KR 300328859 S 7/2003  
KR 300368550 S 12/2004  
KR 300393208 S 9/2005

*Primary Examiner* — Wan Laymon

*Assistant Examiner* — Clint A Samuel

(74) *Attorney, Agent, or Firm* — Cantor Colburn LLP

(57) **CLAIM**

The ornamental design for a medical device, as shown and described.

**DESCRIPTION**

FIG. 1 is a top perspective view of a medical device showing our new design;

FIG. 2 is a front view thereof;

FIG. 3 is a rear view thereof;

FIG. 4 is a left side view thereof;

FIG. 5 is a right side view thereof;

FIG. 6 is a top view thereof;

FIG. 7 is a bottom view thereof;

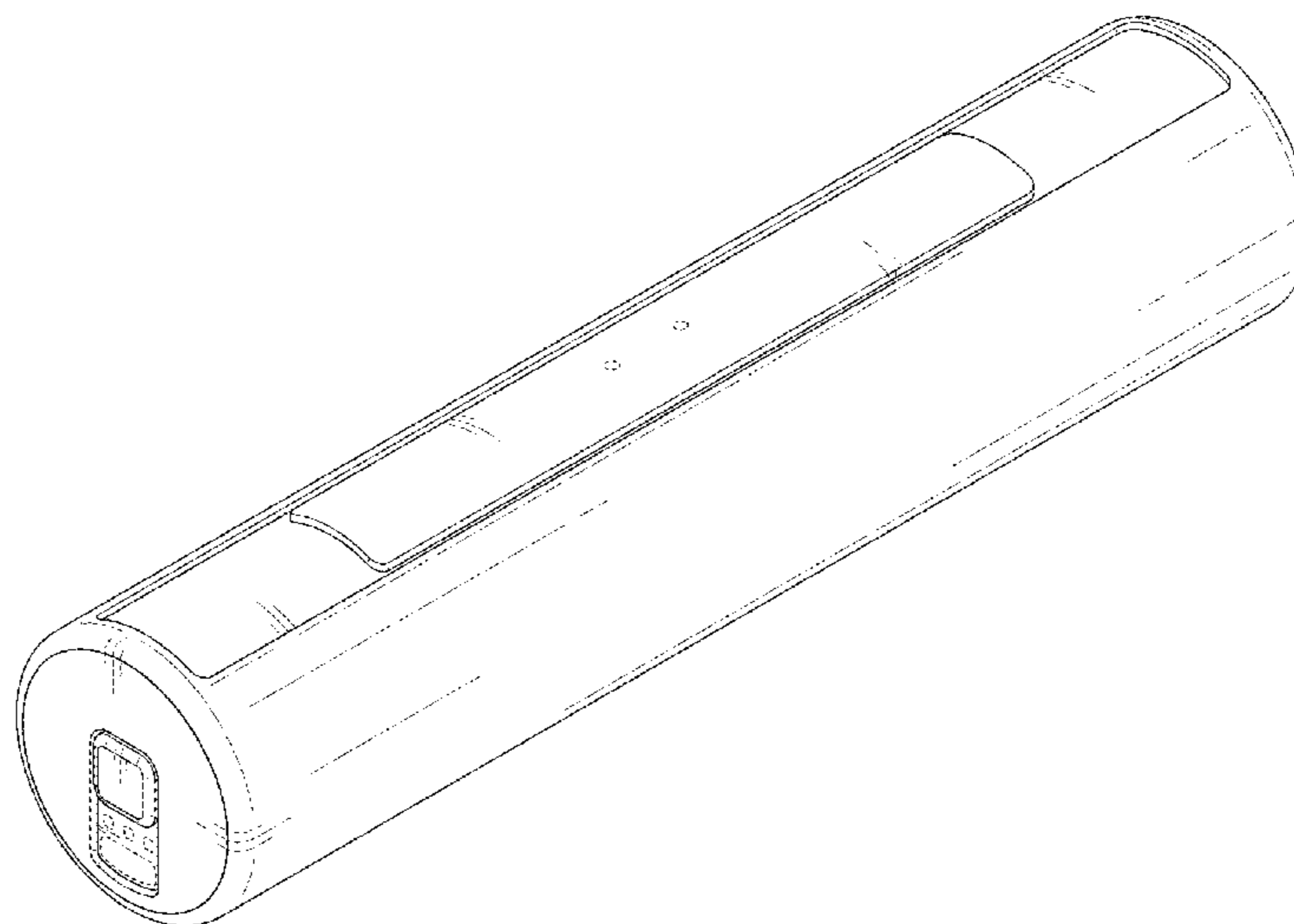
FIG. 8 is another perspective view thereof;

FIG. 9 is a bottom perspective view of a medical device with an additional environmental structure in dot-dot-dash broken lines provided to illustrate an example environment; and,

FIG. 10 is a top perspective view of a medical device with the additional environmental structure in dot-dot-dash broken lines as shown in a state of use.

The short dash-dash broken lines in the figures show portions of the medical device that form no part of the claimed design. The dot-dot-dash broken lines in FIGS. 9 and 10 show environmental structure and form no part of the claimed design.

**1 Claim, 7 Drawing Sheets**



(56)

**References Cited**

U.S. PATENT DOCUMENTS

2015/0182138 A1\* 7/2015 Yoshino ..... A61B 5/02233  
600/499  
2016/0120433 A1\* 5/2016 Hughes ..... A61B 5/0468  
600/483

\* cited by examiner

FIG. 1

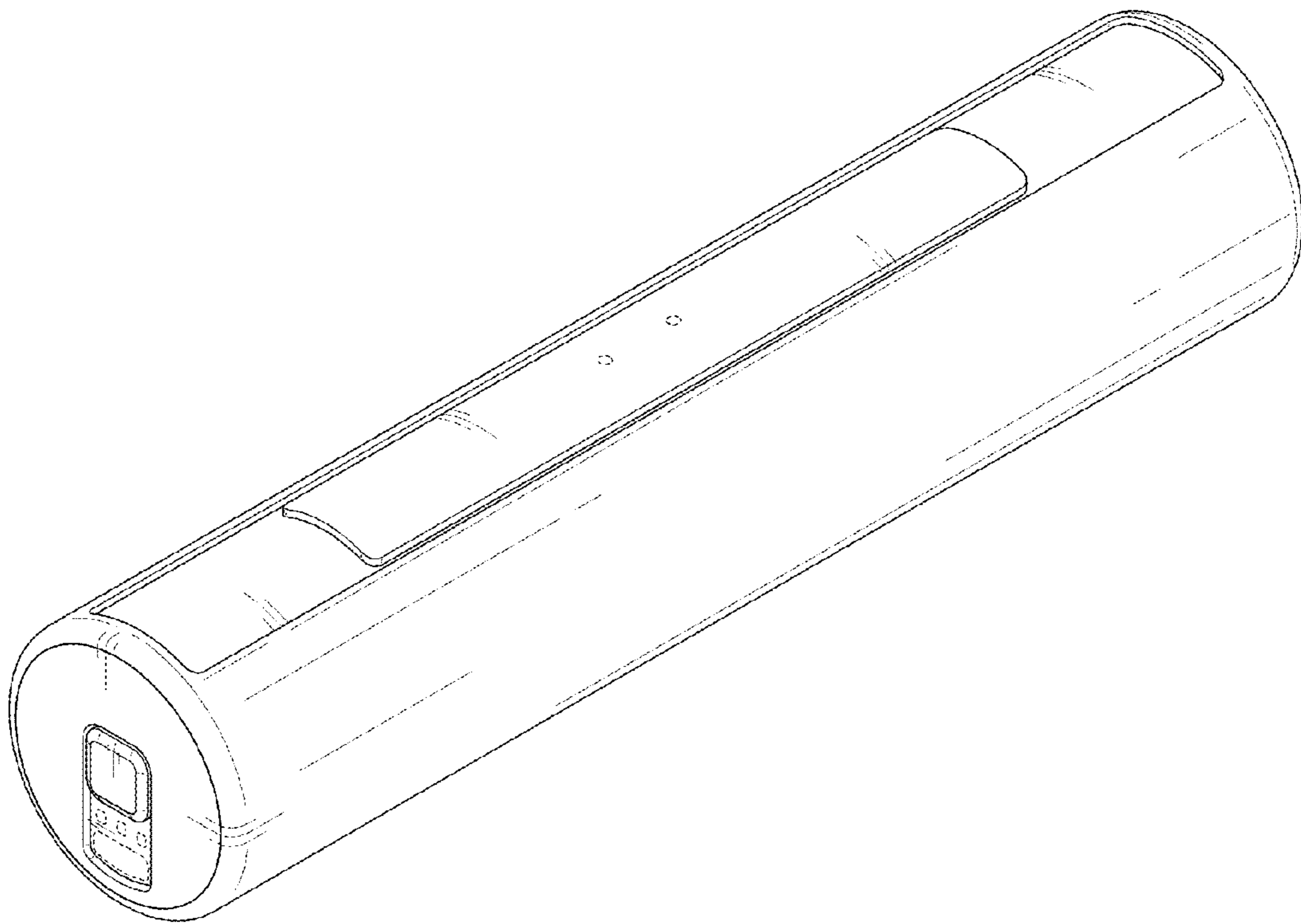


FIG. 2

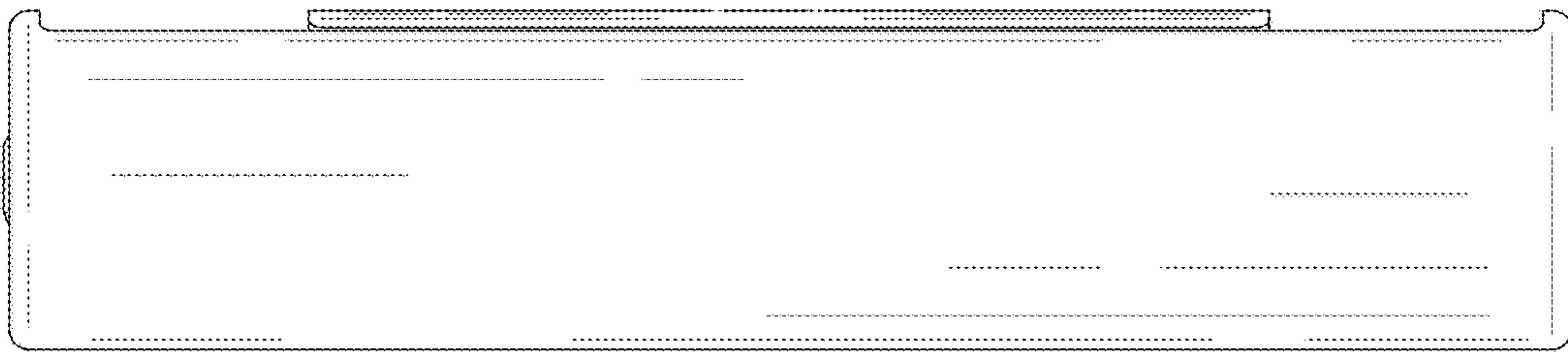


FIG. 3

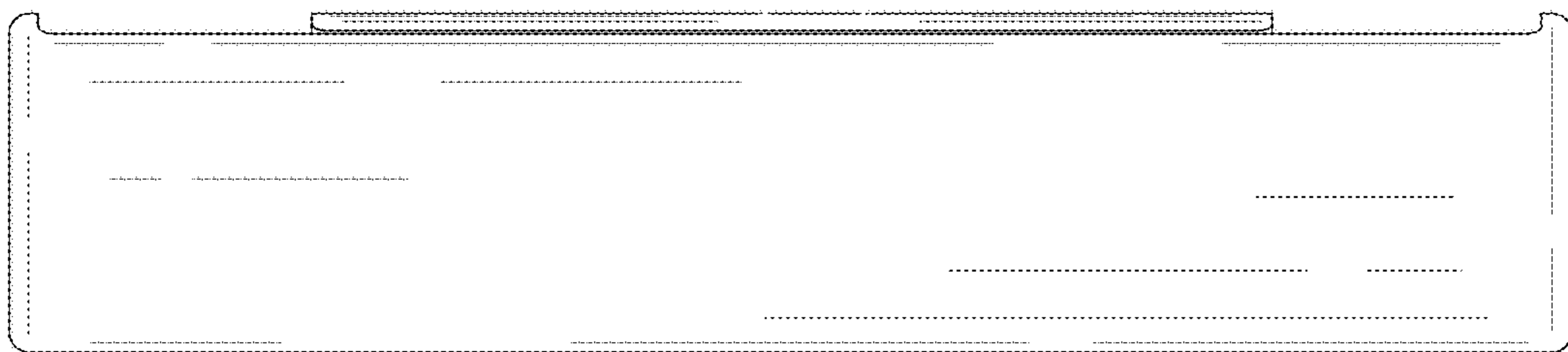


FIG. 4

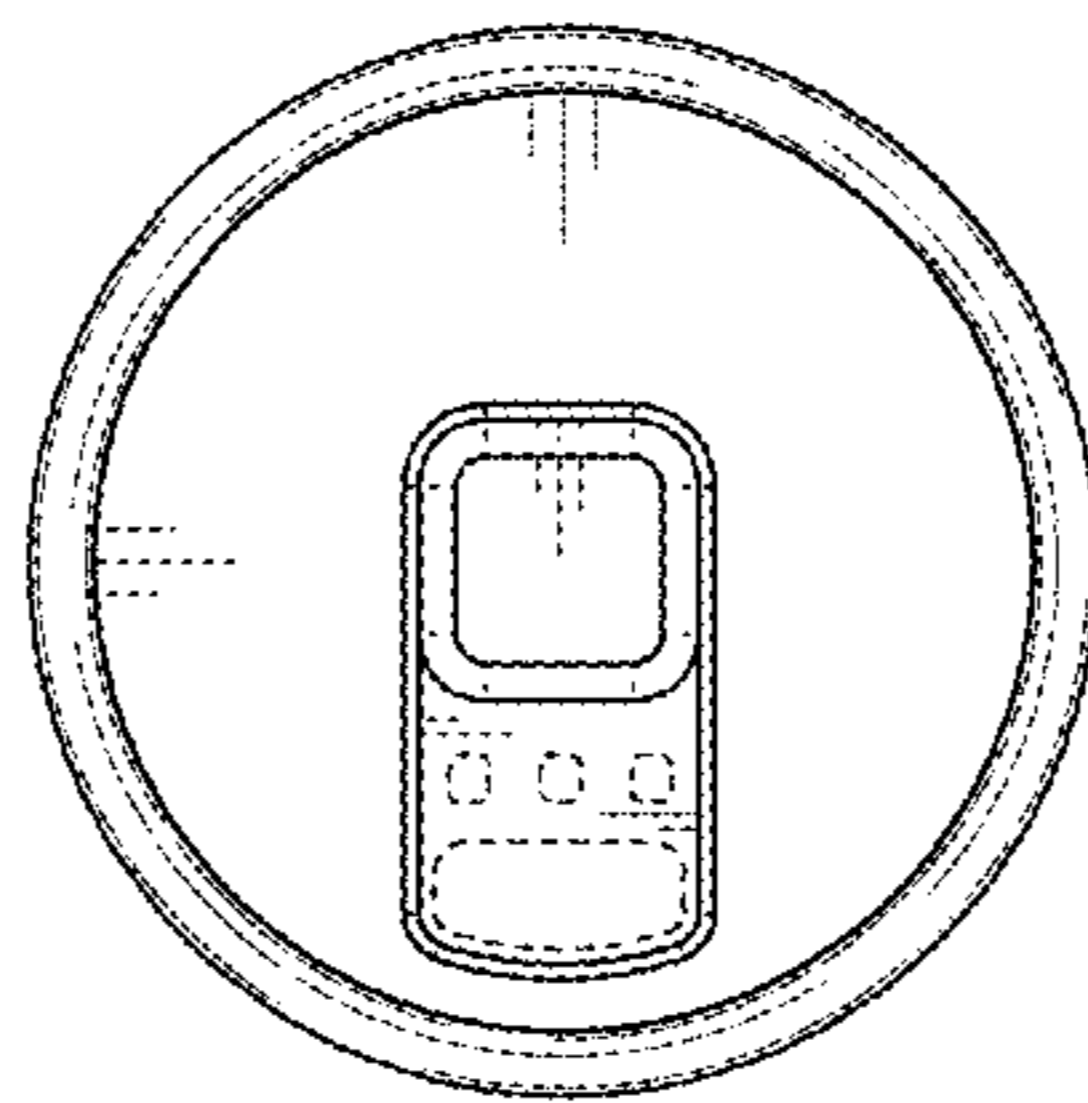


FIG. 5

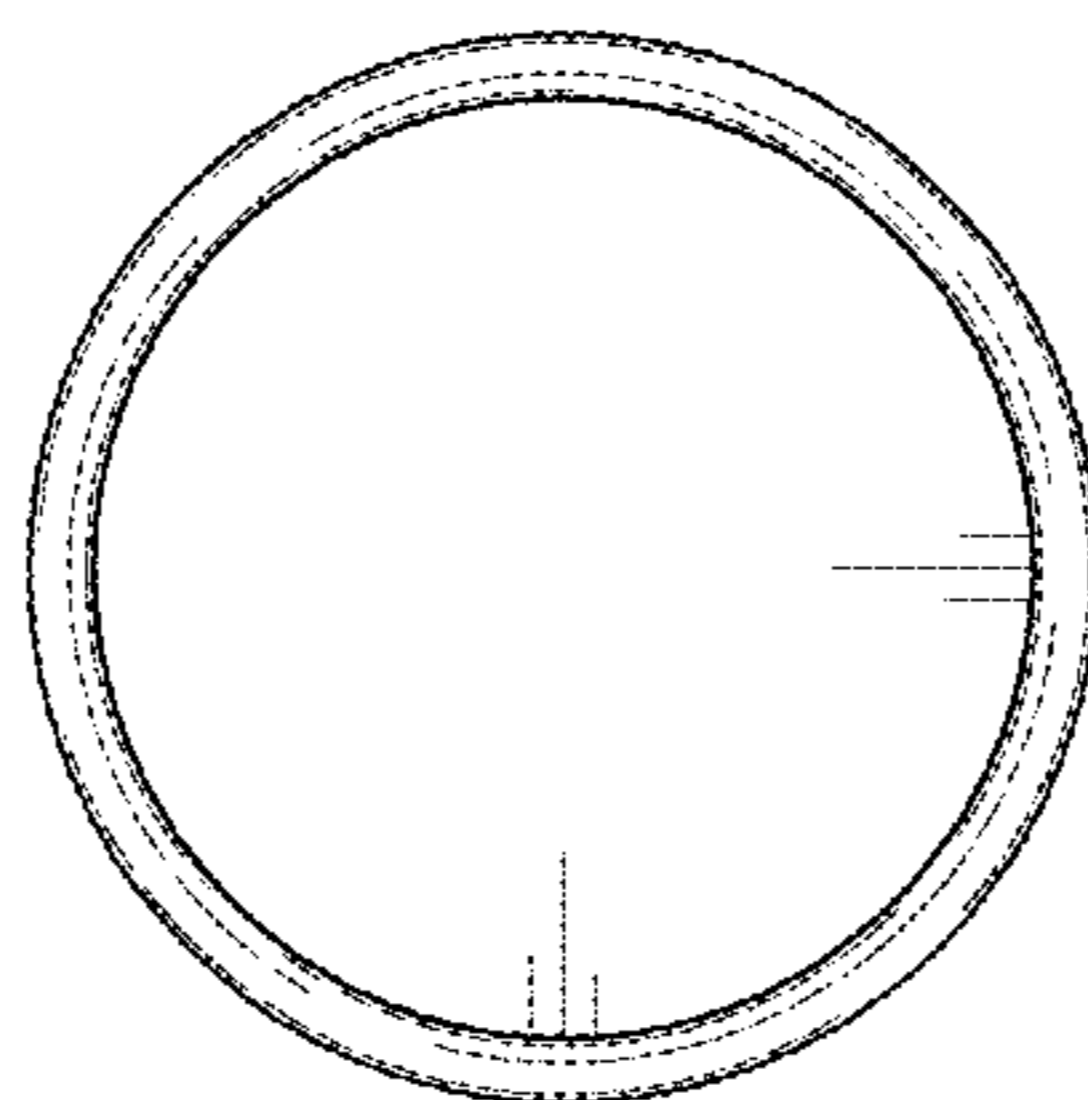


FIG. 6

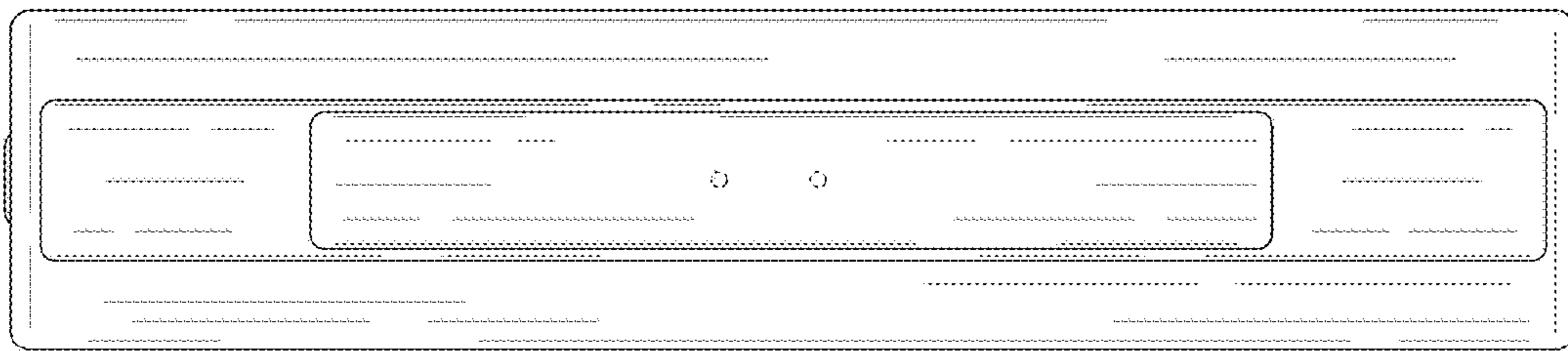


FIG. 7

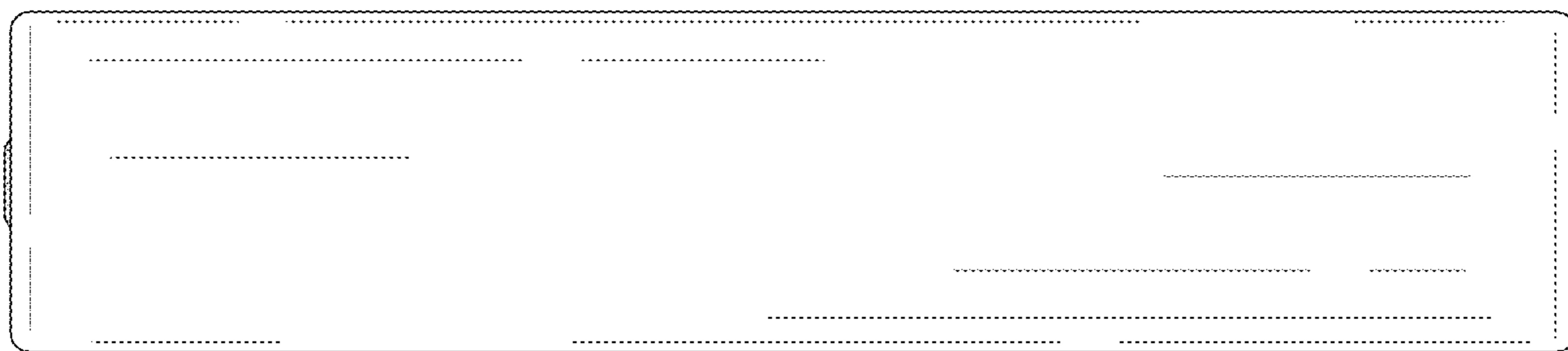


FIG. 8

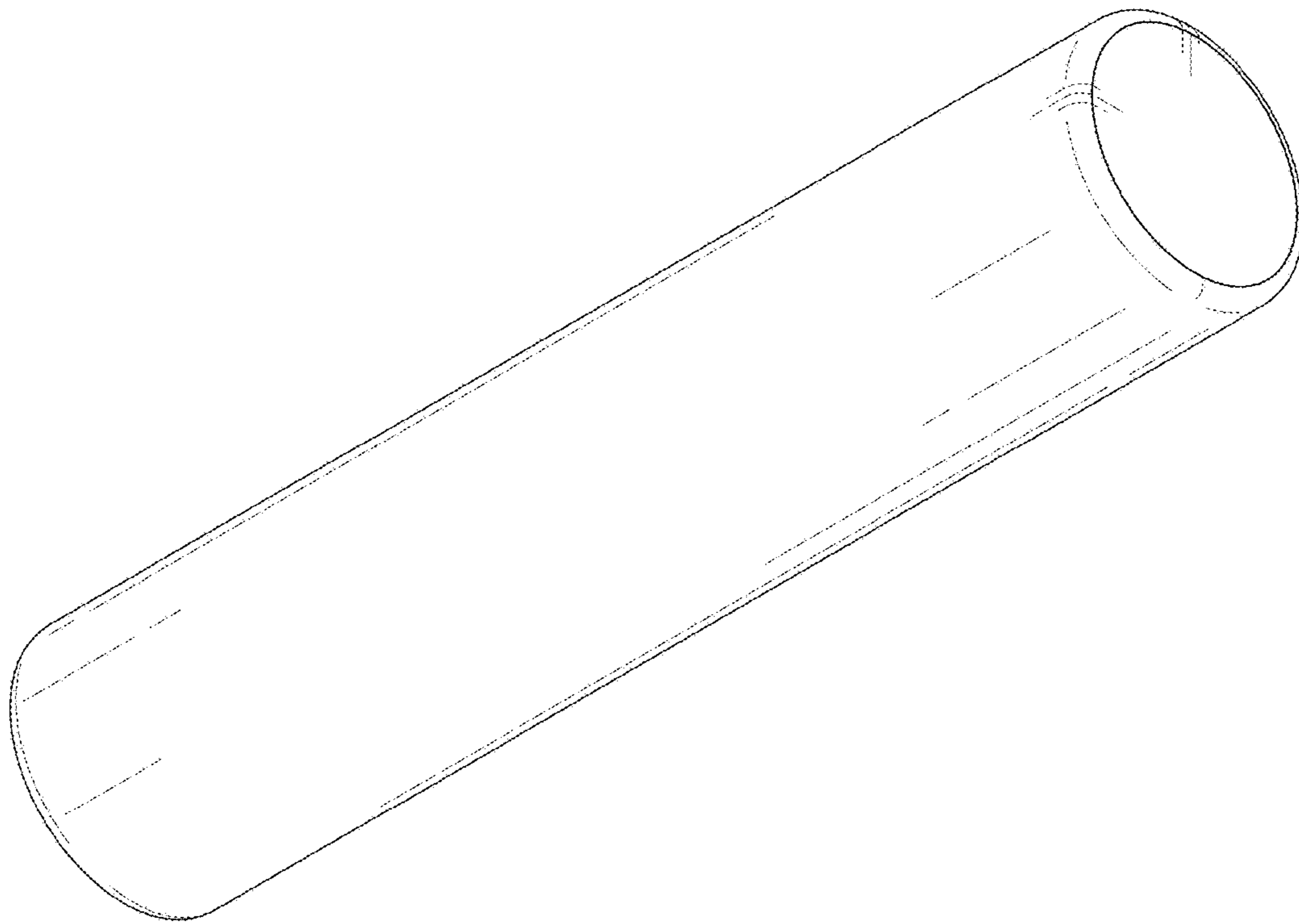


FIG. 9

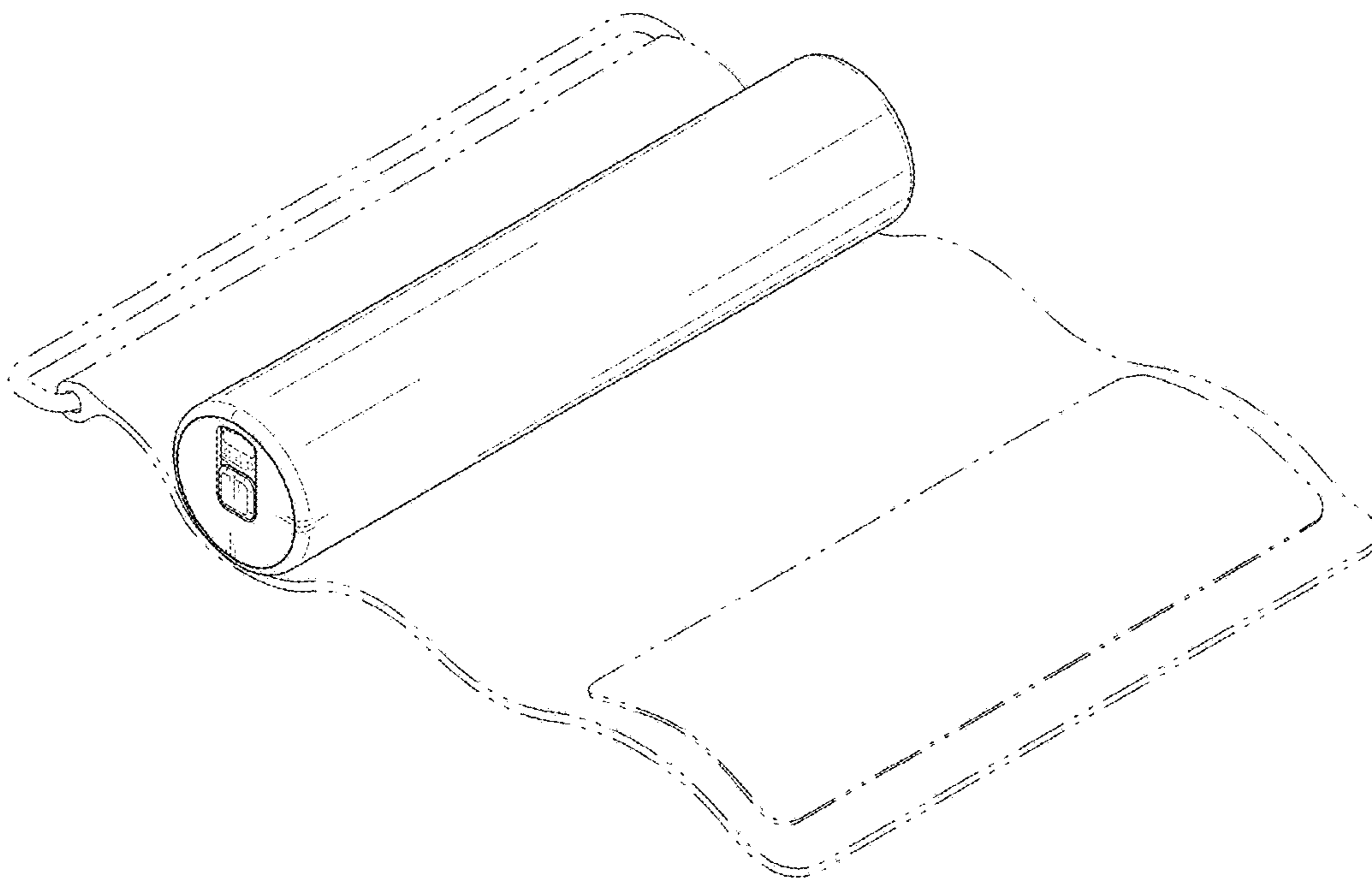




FIG. 10

