



US00D806247S

(12) **United States Design Patent**  
**Kheradpir et al.**

(10) **Patent No.:** **US D806,247 S**

(45) **Date of Patent:** **\*\* Dec. 26, 2017**

- (54) **BIOPSY POINTER TOOL**
- (71) Applicants: **Leila Kheradpir**, Toronto (CA); **Kyle Richard Dupont**, Toronto (CA); **Jakub Jankowski**, Toronto (CA); **Samson Ng**, Toronto (CA)
- (72) Inventors: **Leila Kheradpir**, Toronto (CA); **Kyle Richard Dupont**, Toronto (CA); **Jakub Jankowski**, Toronto (CA); **Samson Ng**, Toronto (CA)
- (73) Assignee: **SYNAPTIVE MEDICAL (BARBADOS) INC.**, Bridgetown (BB)
- (\*\*) Term: **15 Years**
- (21) Appl. No.: **29/557,339**
- (22) Filed: **Mar. 8, 2016**
- (51) **LOC (10) Cl.** ..... **24-02**
- (52) **U.S. Cl.**  
USPC ..... **D24/147**
- (58) **Field of Classification Search**  
USPC ..... D24/108, 112, 133, 134, 137, 138, 140, D24/146, 147  
CPC .... A61B 2034/2055; A61B 2090/3983; A61B 2034/252; A61B 5/064; A61B 5/103  
See application file for complete search history.

- 7,643,862 B2 \* 1/2010 Schoenefeld ..... A61B 90/36 600/407
- 7,993,353 B2 \* 8/2011 Roßner ..... A61B 90/39 600/429
- 8,205,616 B2 \* 6/2012 Miyazaki ..... A61B 90/50 128/845
- 8,357,165 B2 \* 1/2013 Grant ..... A61B 90/36 606/86 R
- 8,800,939 B2 \* 8/2014 Karsak ..... A61B 17/1703 248/74.1
- D732,663 S \* 6/2015 Miner ..... D24/128
- 2003/0181918 A1 \* 9/2003 Smothers ..... A61B 6/547 606/86 R
- 2005/0113846 A1 \* 5/2005 Carson ..... A61B 34/20 606/130

\* cited by examiner

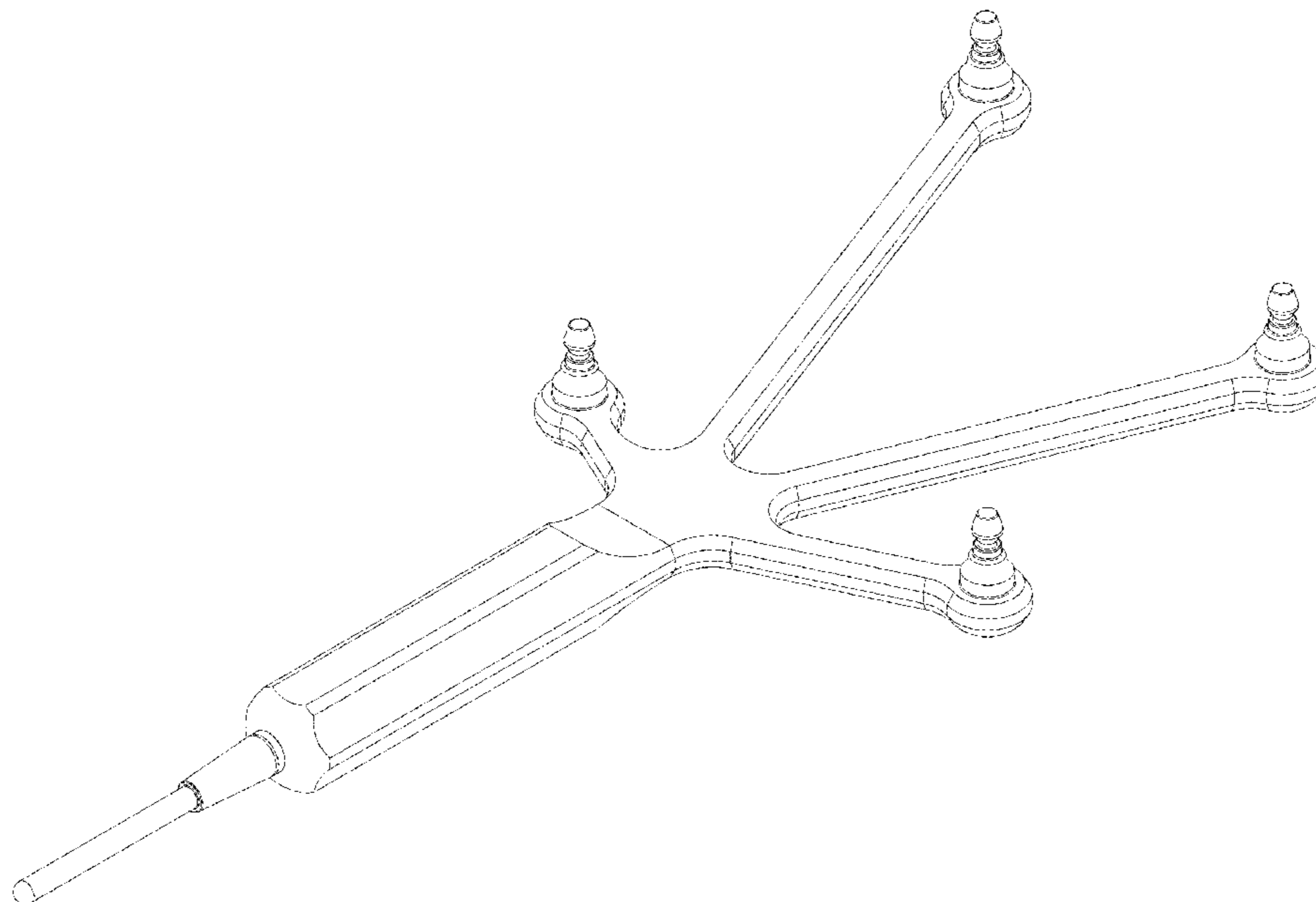
*Primary Examiner* — Thomas Johannes  
*Assistant Examiner* — Samantha Q Lawrence  
(74) *Attorney, Agent, or Firm* — Perry + Currier Inc.

- (56) **References Cited**  
U.S. PATENT DOCUMENTS  
D420,132 S \* 2/2000 Bucholz ..... D24/140  
6,711,431 B2 \* 3/2004 Sarin ..... A61B 5/103 600/426  
7,491,198 B2 \* 2/2009 Kockro ..... A61B 90/36 600/117

(57) **CLAIM**  
We claim the ornamental design for a biopsy pointer tool, as shown and described.

**DESCRIPTION**  
FIG. 1 is a front perspective view of a pointer tool;  
FIG. 2 is a front elevation view thereof;  
FIG. 3 is a rear elevation view thereof;  
FIG. 4 is a front plan view thereof;  
FIG. 5 is a rear plan view thereof;  
FIG. 6 is a left side elevation view thereof; and,  
FIG. 7 is a right side elevation view thereof.  
The broken lines are for illustrative purposes only and form no part of the claimed design.

**1 Claim, 7 Drawing Sheets**



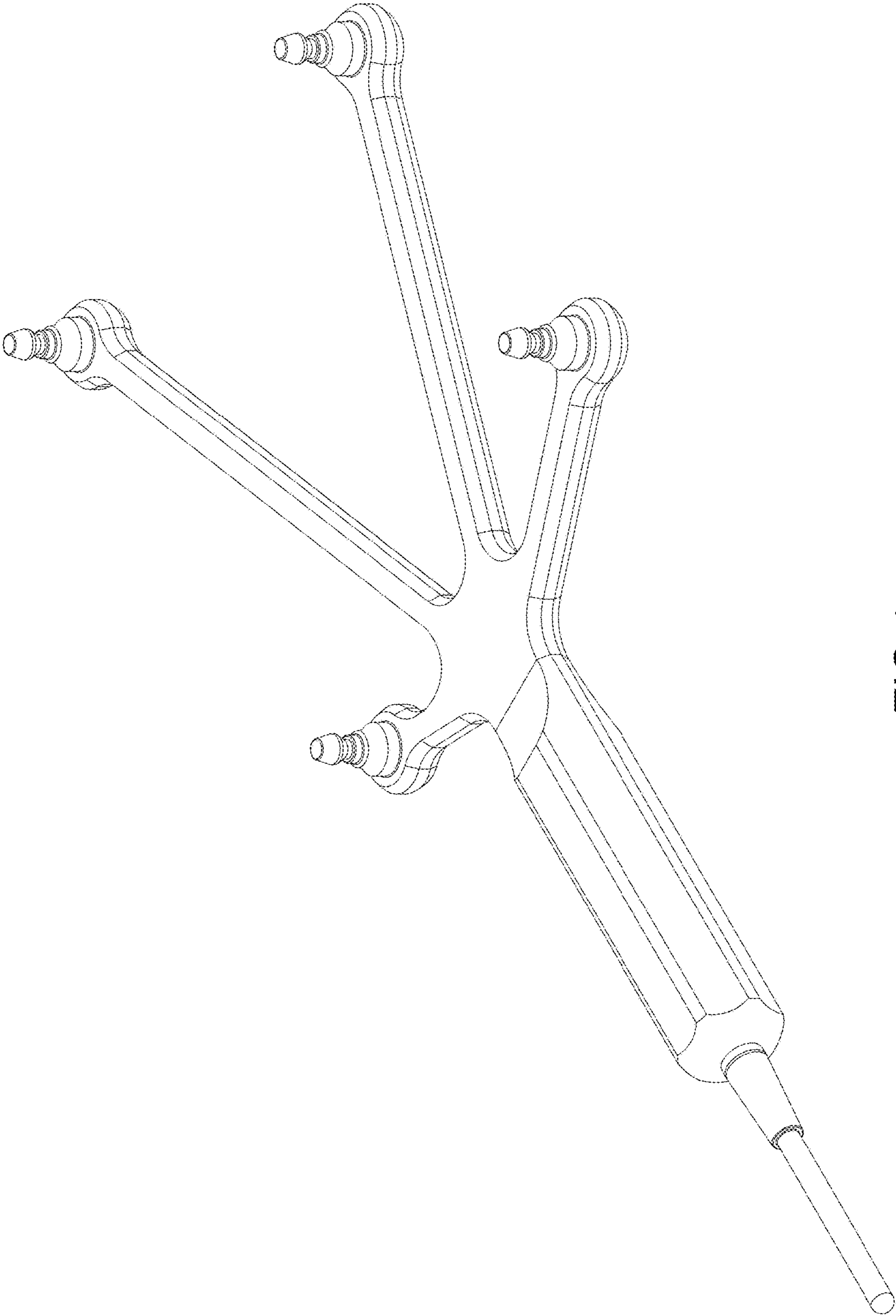


FIG.1

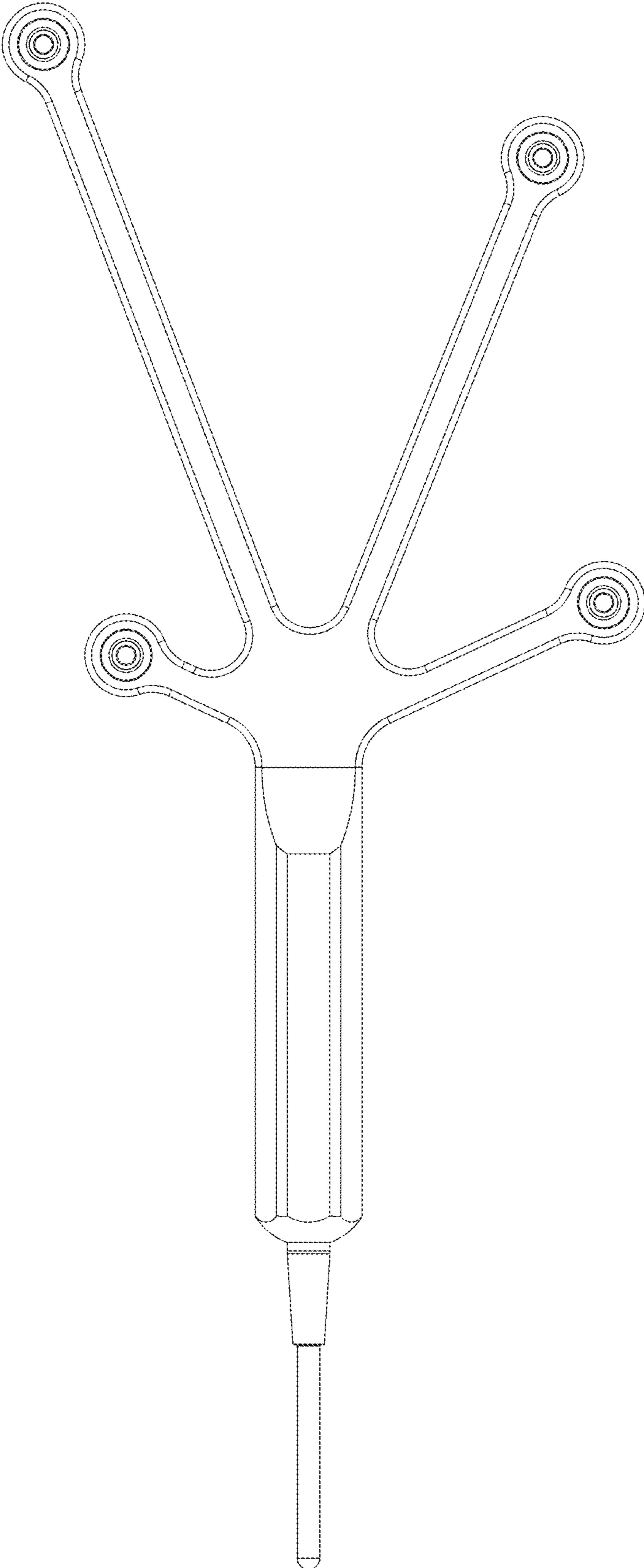


FIG.2

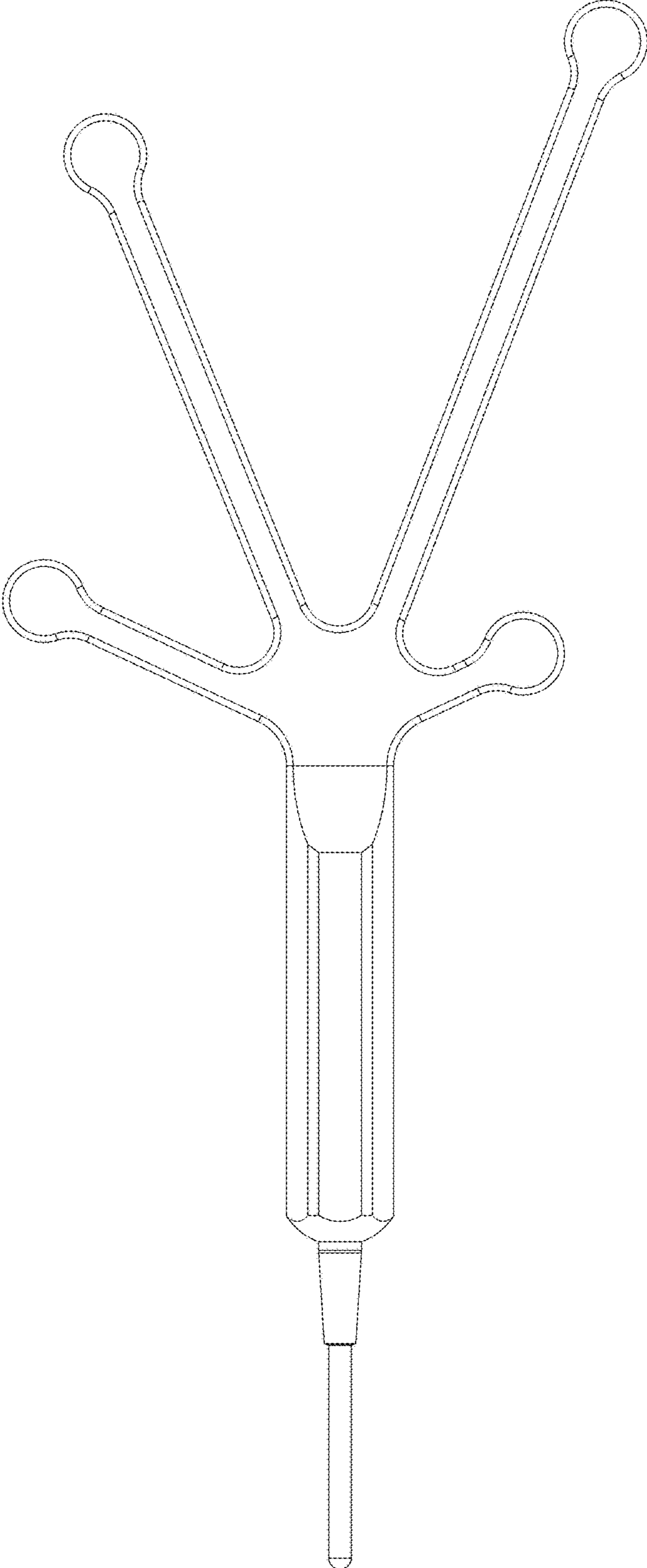


FIG.3

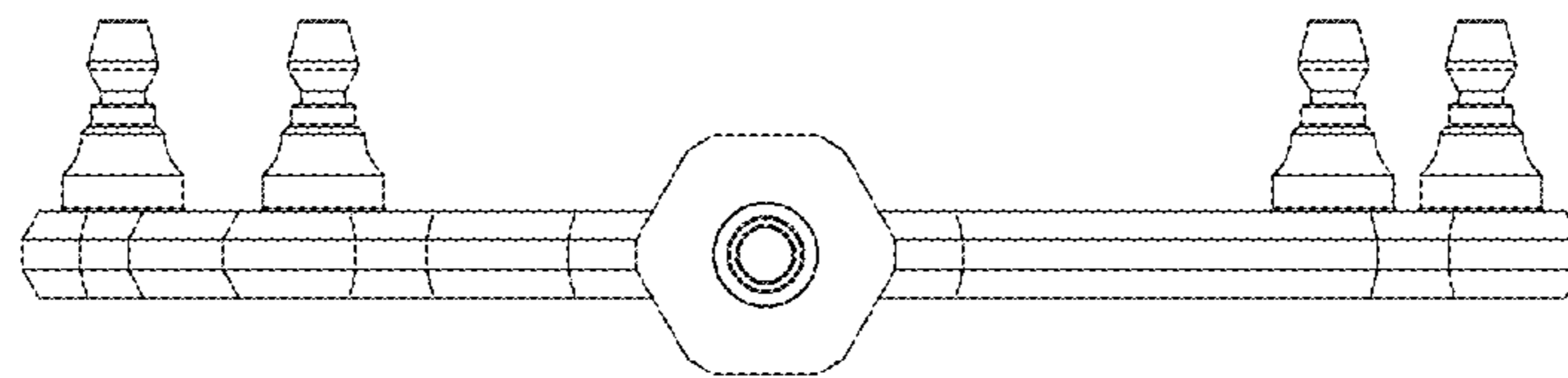


FIG.4

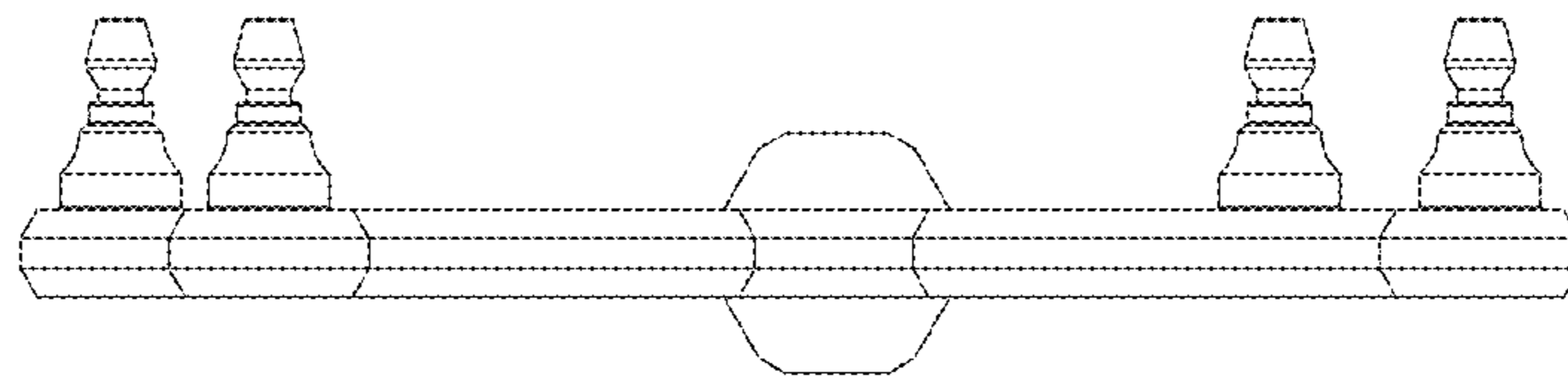


FIG.5

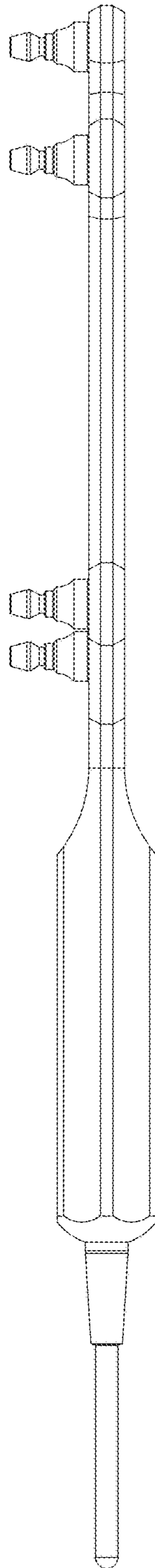


FIG.6

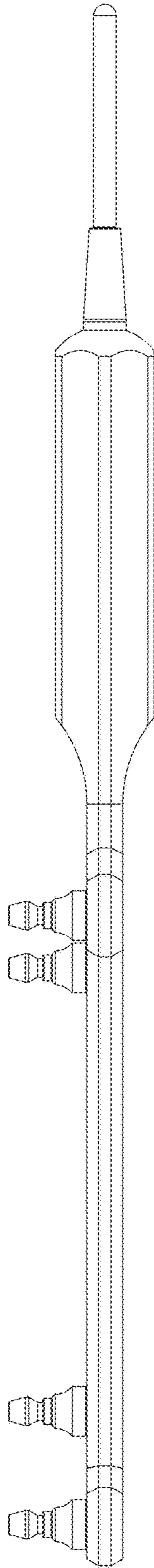


FIG.7