



US00D806246S

(12) **United States Design Patent** (10) **Patent No.:** **US D806,246 S**
Schraga (45) **Date of Patent:** **** Dec. 26, 2017**

(54) **LANCET COVER**

(71) Applicant: **Steven Schraga**, Surfside, FL (US)

(72) Inventor: **Steven Schraga**, Surfside, FL (US)

(**) Term: **15 Years**

(21) Appl. No.: **29/555,896**

(22) Filed: **Feb. 25, 2016**

(51) **LOC (10) Cl.** **24-02**

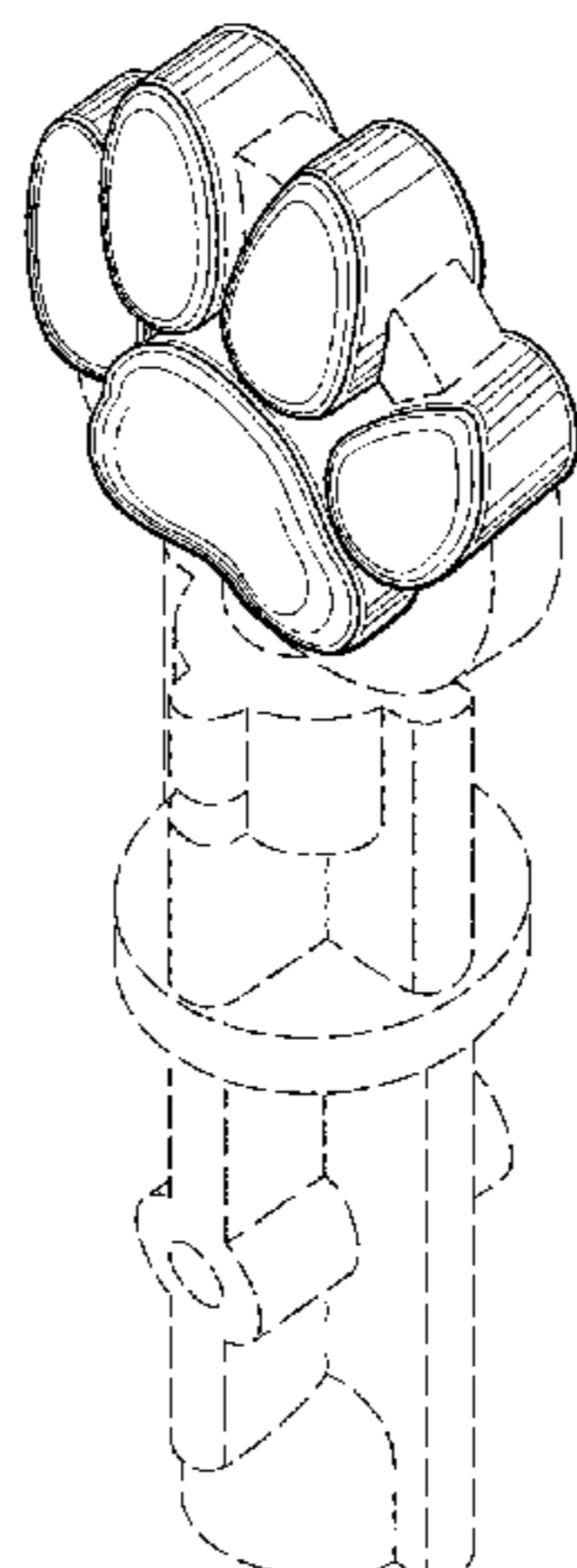
(52) **U.S. Cl.**
 USPC **D24/146**

(58) **Field of Classification Search**
 USPC D24/146, 147, 127, 130, 133; 606/167,
 606/181, 182, 184; 30/342; D30/131,
 D30/133, 130, 155, 199; D1/101, 107,
 D1/129, 199
 CPC A61B 5/150022; A61B 5/1411; A61B
 5/150412; A61B 5/150519
 See application file for complete search history.

4,157,086 A	6/1979	Maiorano et al.
4,203,446 A	5/1980	Hofert et al.
4,219,055 A	8/1980	Wright
4,252,159 A	2/1981	Maki
4,257,561 A	3/1981	McKinney
4,274,453 A	6/1981	Lee
4,338,871 A	7/1982	van der Lely
4,357,971 A	11/1982	Friedman
4,373,526 A	2/1983	Kling
4,388,925 A	6/1983	Burns
4,414,975 A	11/1983	Ryder et al.
4,426,105 A	1/1984	Plaquin et al.
4,434,820 A	3/1984	Glass
4,438,770 A	3/1984	Unger et al.
4,445,896 A	5/1984	Gianturco
4,449,529 A	5/1984	Burns et al.
4,469,110 A	9/1984	Slama
4,475,915 A	10/1984	Sloane
4,489,766 A	12/1984	Montada
4,517,978 A	5/1985	Levin et al.
4,527,561 A	7/1985	Burns
4,535,769 A	8/1985	Burns
4,539,988 A	9/1985	Shirley et al.
4,553,541 A	11/1985	Burns
4,573,976 A	3/1986	Sampson et al.
4,610,620 A	9/1986	Gray
4,624,253 A	11/1986	Burns
4,628,929 A	12/1986	Intengan et al.
4,643,189 A	2/1987	Mintz
4,653,513 A	3/1987	Dombrowski
4,655,750 A	4/1987	Vaillancourt
4,665,959 A	5/1987	Takagi
4,677,979 A	7/1987	Burns
4,715,374 A	12/1987	Maggio
4,735,202 A	4/1988	Williams
4,735,203 A	4/1988	Ryder et al.
4,752,290 A	6/1988	Schramm
4,758,230 A	7/1988	Rycroft
4,758,231 A	7/1988	Haber et al.
4,778,454 A	10/1988	LaDow
4,785,858 A	11/1988	Valentini et al.
4,794,926 A	1/1989	Munsch et al.
4,817,603 A	4/1989	Turner et al.
4,823,806 A	4/1989	Bajada
RE32,922 E	5/1989	Levin et al.
4,828,547 A	5/1989	Sahi et al.
4,834,667 A	5/1989	Fowler et al.
4,841,885 A	6/1989	Santino
4,841,985 A	6/1989	Wanamaker
4,858,607 A	8/1989	Jordan et al.
4,863,436 A	9/1989	Glick
4,869,249 A	9/1989	Crossman et al.
4,882,101 A	11/1989	Ohkita et al.

(56) **References Cited**
 U.S. PATENT DOCUMENTS

55,775 A	6/1866	Klee
676,678 A	6/1901	Ellifrits
931,791 A	8/1909	Niergarth
1,135,465 A	4/1915	Pollock
2,586,581 A	2/1952	Tschischeck
2,711,738 A	6/1955	Kelly et al.
2,848,809 A	8/1958	Crowder
2,861,570 A	11/1958	Beecher
3,358,689 A	12/1967	Higgins
3,483,810 A	12/1969	Peters et al.
3,589,213 A	6/1971	Gourley
3,760,809 A	9/1973	Campbell, Jr.
3,807,464 A	4/1974	Pitesky
3,833,030 A	9/1974	Waldbauer, Jr. et al.
3,875,979 A	4/1975	Hults
3,906,626 A	9/1975	Riuli
3,907,009 A	9/1975	Dobbins
4,018,223 A	4/1977	Ethington
4,064,871 A	12/1977	Reno
4,098,276 A	7/1978	Bloom et al.
4,139,011 A	2/1979	Benoit et al.



US D806,246 S

4,883,101 A	11/1989	Strong	5,462,535 A	10/1995	Bonnichsen et al.
4,889,117 A	12/1989	Stevens	5,464,418 A	11/1995	Schraga
4,892,097 A	1/1990	Ranalletta et al.	5,468,233 A	11/1995	Schraga
4,895,147 A	1/1990	Bodicky et al.	5,469,964 A	11/1995	Bailey
4,897,083 A	1/1990	Martell	5,476,101 A	12/1995	Schramm et al.
4,907,600 A	3/1990	Spencer	5,476,474 A	12/1995	Davis et al.
4,908,023 A	3/1990	Yuen	5,487,748 A	1/1996	Marshall et al.
4,924,879 A	5/1990	O'Brien	5,496,340 A	3/1996	Abidin et al.
4,944,736 A	7/1990	Holtz	5,501,672 A	3/1996	Firth et al.
4,969,883 A	11/1990	Gilbert et al.	5,509,345 A	4/1996	Cyktich
4,976,724 A	12/1990	Nieto et al.	5,514,152 A	5/1996	Smith
4,983,178 A	1/1991	Schnell	5,518,004 A	5/1996	Schraga
4,990,154 A	2/1991	Brown et al.	5,527,333 A	6/1996	Nikkels et al.
4,994,045 A	2/1991	Ranford	5,527,334 A	6/1996	Kanner et al.
4,994,068 A	2/1991	Hufnagle	5,529,581 A	6/1996	Cusack
5,024,660 A	6/1991	McNaughton	5,531,713 A	7/1996	Mastronardi et al.
5,026,388 A	6/1991	Ingalz	5,540,709 A	7/1996	Ramel
5,054,499 A	10/1991	Swierczek	5,545,174 A	8/1996	Schenk et al.
5,057,079 A	10/1991	Tiemann et al.	5,554,166 A	9/1996	Lange et al.
5,070,885 A	12/1991	Bonaldo	5,569,286 A	10/1996	Peckham et al.
5,074,872 A	12/1991	Brown et al.	5,569,287 A	10/1996	Tezuka et al.
5,085,640 A	2/1992	Gibbs	5,571,132 A	11/1996	Mawhirt et al.
5,086,780 A	2/1992	Schmitt	D376,203 S	12/1996	Schraga
5,088,996 A	2/1992	Kopfer et al.	5,584,846 A	12/1996	Mawhirt et al.
5,092,842 A	3/1992	Bechtold et al.	5,599,323 A	2/1997	Bonnichsen et al.
5,100,427 A	3/1992	Crossman et al.	5,613,978 A	3/1997	Harding
5,116,351 A	5/1992	Frassetti	5,628,764 A	5/1997	Schraga
5,125,921 A	6/1992	Duschek	5,628,765 A	5/1997	Morita
5,133,730 A	7/1992	Biro et al.	5,630,828 A	5/1997	Mawhirt et al.
5,141,496 A	8/1992	Dalto et al.	5,643,306 A	7/1997	Schraga
5,147,326 A	9/1992	Talonn et al.	5,662,672 A	9/1997	Pambianchi et al.
5,147,375 A	9/1992	Sullivan et al.	5,697,916 A	12/1997	Schraga
5,160,326 A	11/1992	Talonn et al.	5,706,942 A	1/1998	Vila et al.
5,181,609 A	1/1993	Spielmann et al.	5,707,384 A	1/1998	Kim
5,188,620 A	2/1993	Jepson et al.	5,709,700 A	1/1998	Hirota
5,196,025 A	3/1993	Ranalletta et al.	5,730,753 A	3/1998	Morita
5,201,716 A	4/1993	Richard	5,733,300 A	3/1998	Pambianchi et al.
5,207,696 A	5/1993	Matwijcow	5,735,823 A	4/1998	Berger
5,207,699 A	5/1993	Coe	5,738,665 A	4/1998	Caizza et al.
5,212,879 A	5/1993	Biro et al.	5,741,288 A	4/1998	Rife
5,219,333 A	6/1993	Sagstetter et al.	RE35,803 E	5/1998	Lange et al.
5,222,945 A	6/1993	Basnight	5,746,761 A	5/1998	Turchin
5,224,950 A	7/1993	Prywes	5,755,733 A	5/1998	Morita
5,230,707 A	7/1993	Laderoute	5,772,636 A	6/1998	Brimhall et al.
5,241,969 A	9/1993	Carson et al.	5,772,677 A	6/1998	Mawhirt et al.
5,247,972 A	9/1993	Tetreault	5,792,122 A	8/1998	Brimhall et al.
5,250,026 A	10/1993	Ehrlich et al.	5,797,940 A	8/1998	Mawhirt et al.
5,250,063 A	10/1993	Abidin et al.	5,797,942 A	8/1998	Schraga
5,269,799 A	12/1993	Daniel	5,836,920 A	11/1998	Robertson
5,269,800 A	12/1993	Davis, Jr.	5,868,771 A	2/1999	Herbert et al.
5,279,581 A	1/1994	Firth et al.	5,871,494 A	2/1999	Simons et al.
5,282,822 A	2/1994	Macors et al.	5,873,856 A	2/1999	Hjertman et al.
5,297,599 A	3/1994	Bucheli	5,873,887 A	2/1999	King et al.
5,304,136 A	4/1994	Erskine et al.	5,879,367 A	3/1999	Latterell et al.
5,304,192 A	4/1994	Crouse	5,891,103 A	4/1999	Burns
5,304,193 A	4/1994	Zhadanov	5,908,434 A	6/1999	Schraga
5,312,347 A	5/1994	Osborne et al.	5,916,230 A	6/1999	Brenneman et al.
5,312,354 A	5/1994	Allen et al.	5,947,934 A	9/1999	Hansen et al.
5,312,365 A	5/1994	Firth et al.	5,951,530 A	9/1999	Steengaard et al.
5,314,441 A	5/1994	Cusack et al.	5,951,582 A	9/1999	Thorne et al.
5,318,581 A	6/1994	Sunmo	5,954,738 A	9/1999	LeVaughn et al.
5,318,583 A	6/1994	Rabenau et al.	5,968,021 A	10/1999	Ejlersen
5,318,584 A	6/1994	Lange et al.	5,971,941 A	10/1999	Simons et al.
5,324,303 A	6/1994	Strong et al.	5,971,966 A	10/1999	Lav
5,330,492 A	7/1994	Haugen	5,980,491 A	11/1999	Hansen
5,336,199 A	8/1994	Castillo et al.	5,984,906 A	11/1999	Bonnichsen et al.
5,346,480 A	9/1994	Hess et al.	5,984,940 A	11/1999	Davis et al.
5,350,392 A	9/1994	Purcell et al.	6,010,519 A	1/2000	Mawhirt et al.
5,356,406 A	10/1994	Schraga	6,015,397 A	1/2000	Elson et al.
5,356,420 A	10/1994	Czernecki et al.	6,022,366 A	2/2000	Schraga
5,361,902 A	11/1994	Abidin et al.	6,042,595 A	3/2000	Morita
5,366,470 A	11/1994	Ramel	6,045,567 A	4/2000	Taylor et al.
5,395,387 A	3/1995	Burns	6,050,977 A	4/2000	Adams
5,395,388 A	3/1995	Schraga	6,053,930 A	4/2000	Ruppert
5,402,798 A	4/1995	Swierczek et al.	6,056,765 A	5/2000	Bajaj et al.
5,417,662 A	5/1995	Hjertman et al.	6,071,294 A	6/2000	Simons et al.
5,423,847 A	6/1995	Strong et al.	6,074,372 A	6/2000	Hansen
5,439,473 A	8/1995	Jorgensen	6,077,253 A	6/2000	Cosme
5,454,828 A	10/1995	Schraga	D428,150 S	7/2000	Ruf et al.

Primary Examiner — Thomas Johannes
Assistant Examiner — Samantha Q Lawrence
(74) *Attorney, Agent, or Firm* — Malloy & Malloy, P.L.

(57) **CLAIM**

The ornamental design for a lancet cover, as shown and described.

DESCRIPTION

FIG. 1 is a front perspective view illustrating my design for a lancet cover;

FIG. 2 is a front view thereof;

FIG. 3 is a left view thereof;

FIG. 4 is a top view thereof;

FIG. 5 is a right view thereof;

FIG. 6 is a bottom view thereof; and,

FIG. 7 is a rear view thereof.

The broken lines shown in FIGS. 1-7 illustrate environment and form no part of the claimed design.

1 Claim, 6 Drawing Sheets

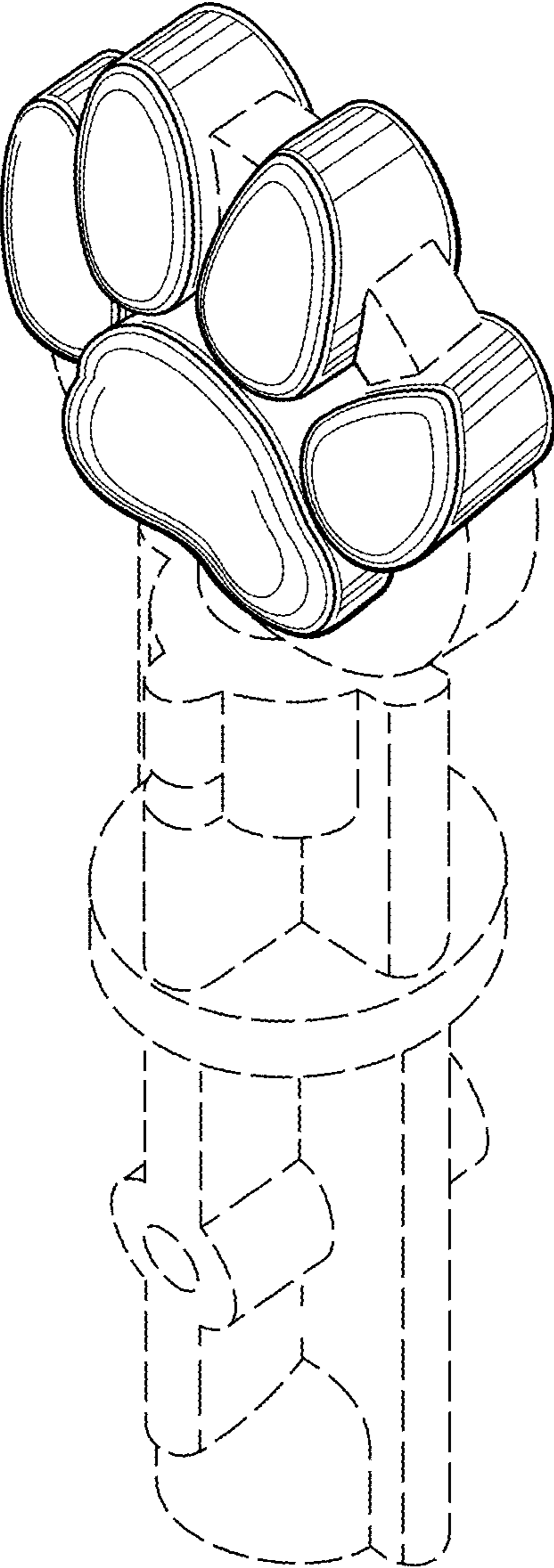


FIG. 1

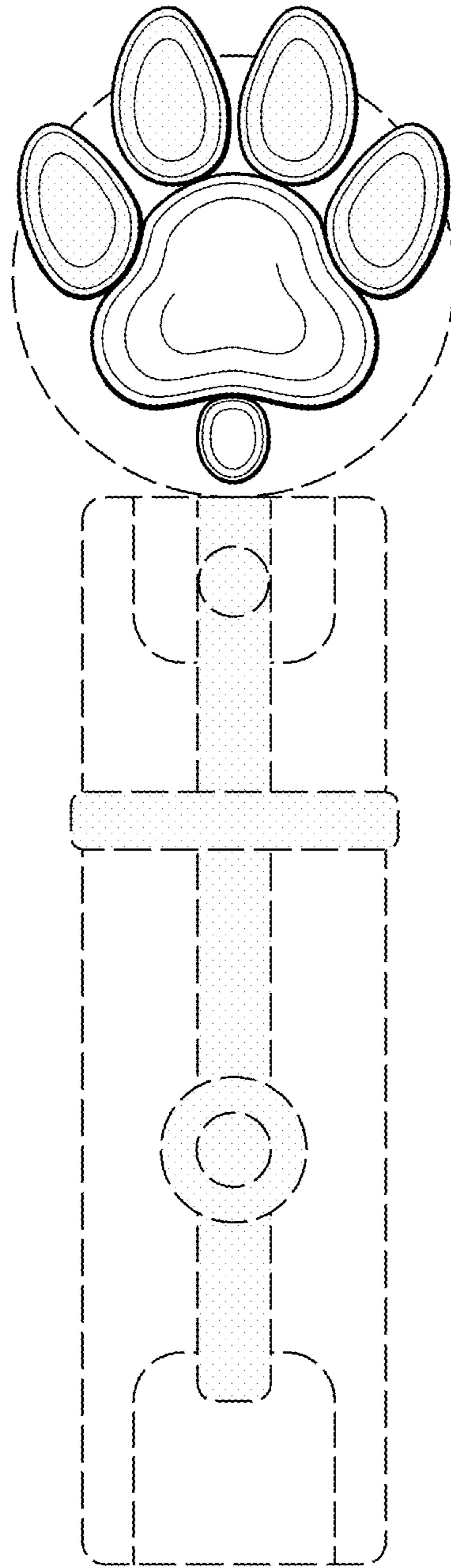


FIG. 2

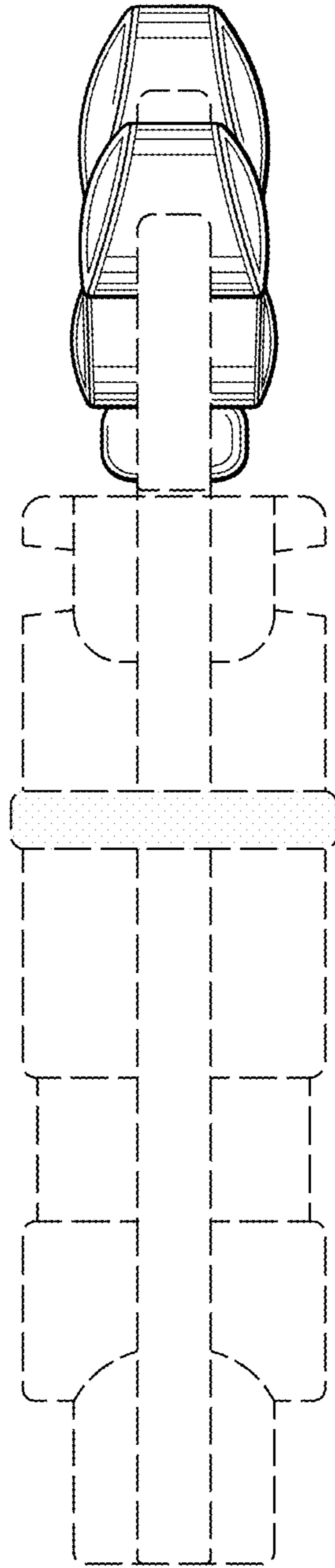


FIG. 3

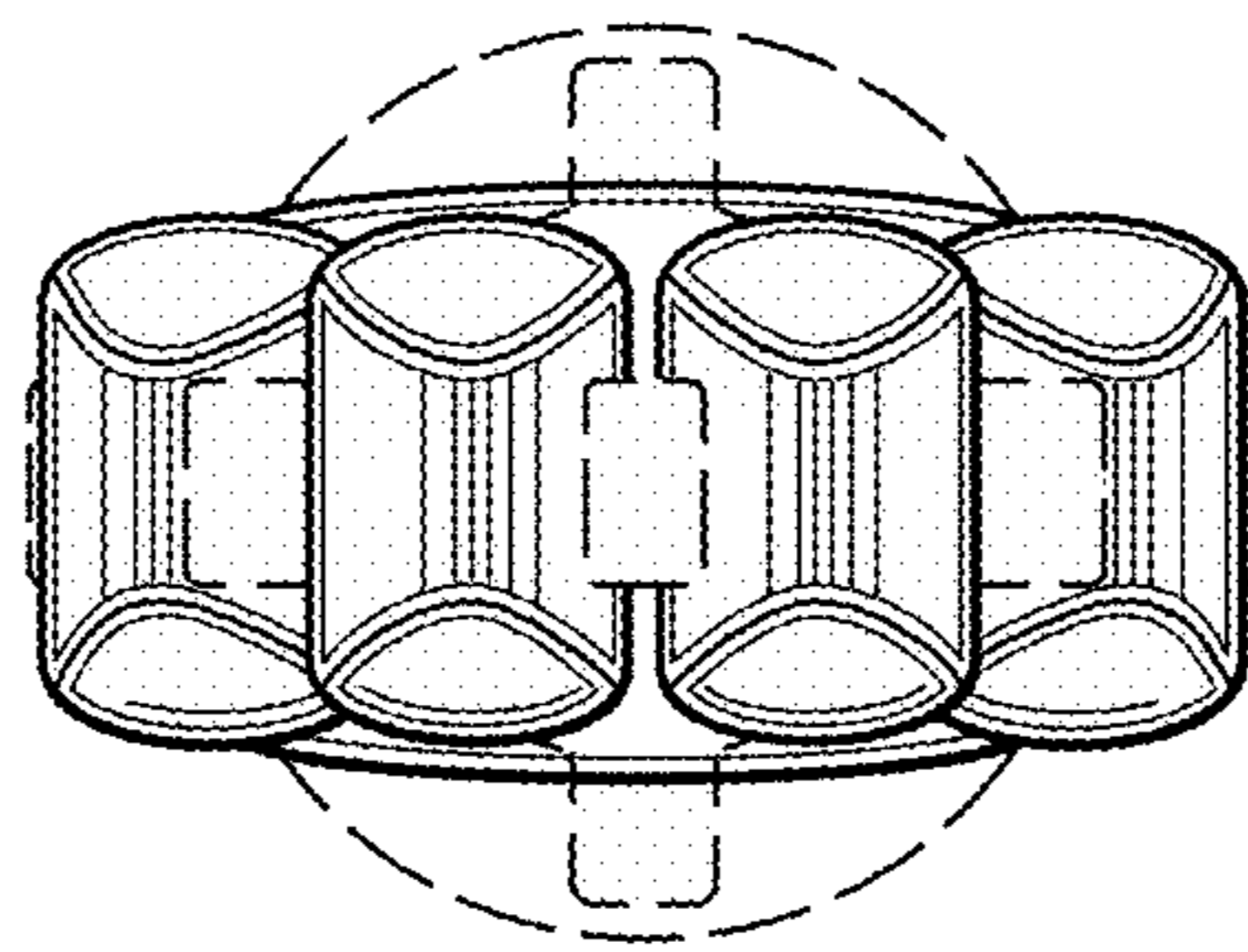


FIG. 4

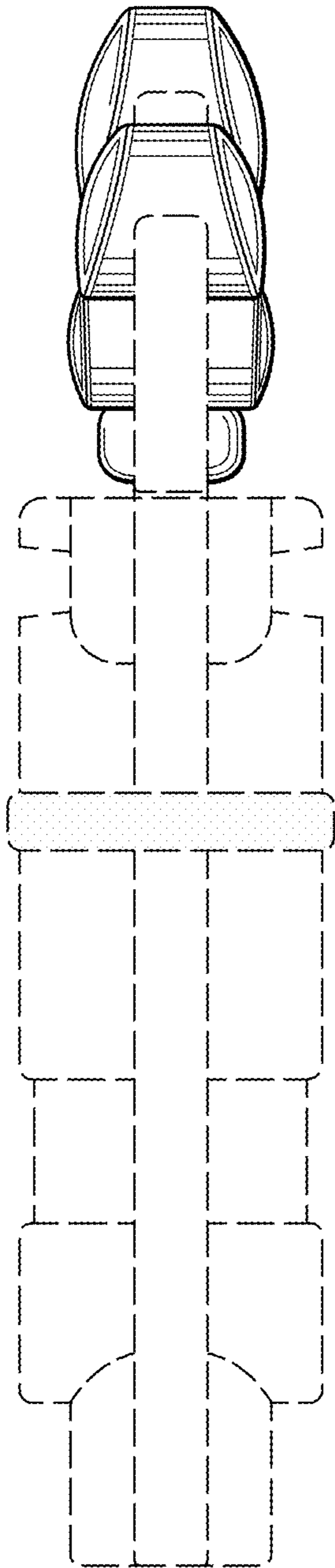


FIG. 5

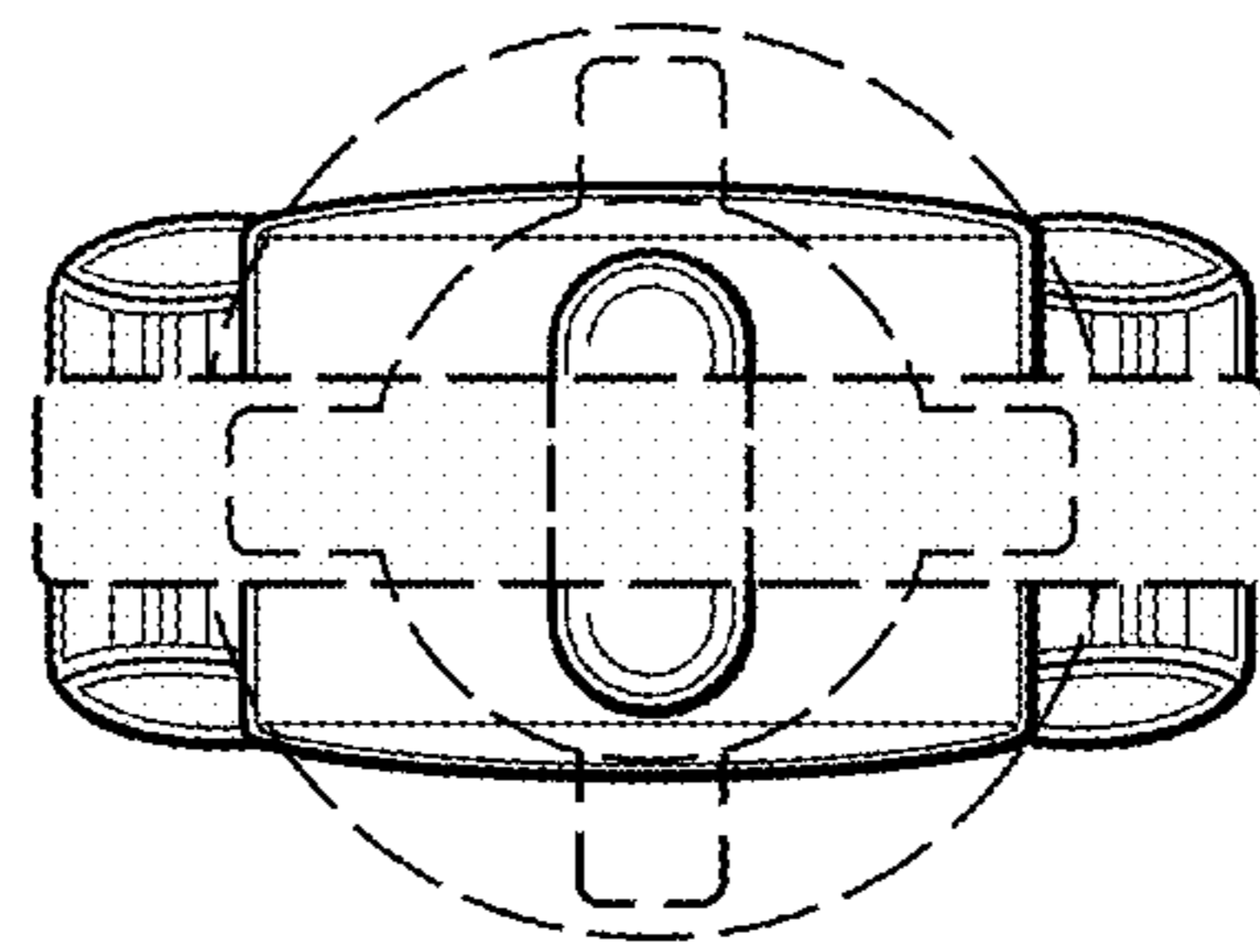


FIG. 6

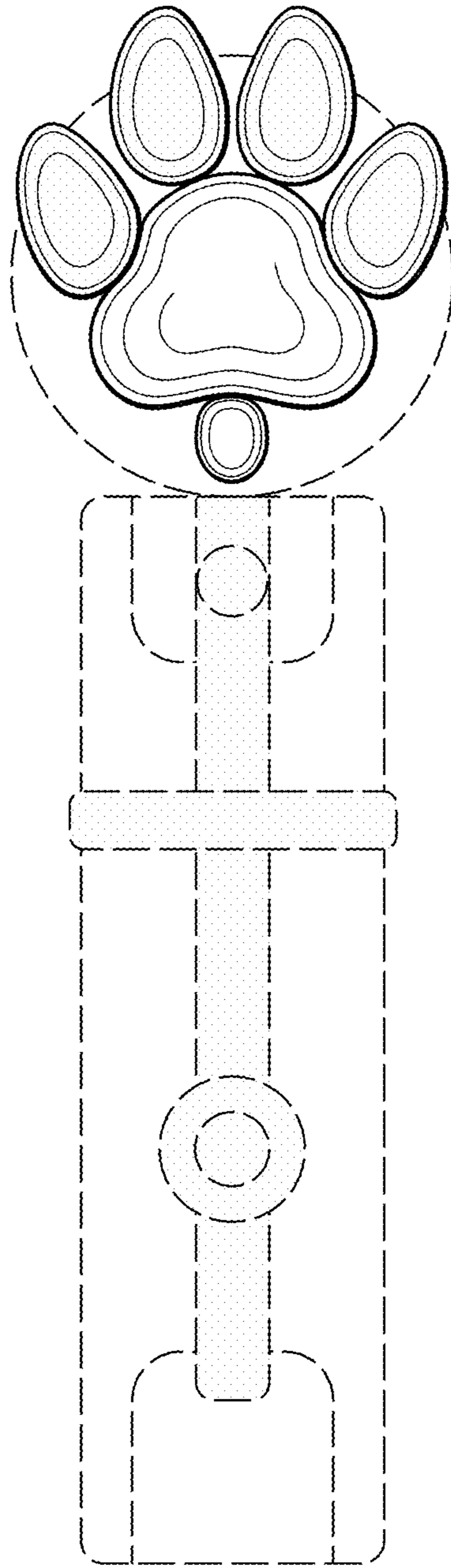


FIG. 7