



US00D806241S

(12) **United States Design Patent** (10) **Patent No.:** **US D806,241 S**
Swinney et al. (45) **Date of Patent:** **** Dec. 26, 2017**

(54) **SEPTUM SEAL**
(71) Applicant: **Becton, Dickinson and Company**,
Franklin Lakes, NJ (US)
(72) Inventors: **Monica Rixman Swinney**, Medford,
MA (US); **Yiping Ma**, Layton, UT
(US); **Patrick Downie**, Apex, NC (US);
Nicole Lewis Wiley, Pittsboro, NC
(US)
(73) Assignee: **Becton, Dickinson and Company**,
Franklin Lakes, NJ (US)
(**) Term: **15 Years**

5,312,363 A 5/1994 Ryan et al.
5,350,363 A 9/1994 Goode et al.
5,368,801 A 11/1994 Vaillancourt
5,538,505 A 7/1996 Weinstein et al.
5,613,956 A 3/1997 Patterson et al.
5,651,940 A * 7/1997 Buonaiuto B01L 3/50825
215/312
5,797,897 A 8/1998 Jepson et al.
5,882,601 A * 3/1999 Kath B01J 19/0046
422/547
5,897,840 A * 4/1999 Owens, Jr. A61B 10/007
220/505
5,968,011 A 10/1999 Larsen et al.
6,276,661 B1 * 8/2001 Laird A61B 17/3462
137/317
6,426,046 B1 * 7/2002 Cassells B65D 51/002
215/200

(Continued)

(21) Appl. No.: **29/570,398**
(22) Filed: **Jul. 7, 2016**
(51) **LOC (10) Cl.** **24-02**
(52) **U.S. Cl.**
USPC **D24/129**
(58) **Field of Classification Search**
USPC D24/127-131, 112-114, 133, 186;
606/181, 185; 604/264, 523-528, 272,
604/187, 158, 164.01-164.11, 181, 184,
604/227; 600/101, 139, 143;
128/200.24, 207.14, 207.15; 422/570
CPC ... G01N 35/1079; A61M 25/065; A61M 5/42;
A61M 25/0612; A61M 25/00; A61M
39/00; A61M 27/00; A61M 25/0043;
A61M 25/0067; A61M 25/0097; A61F
2/958
See application file for complete search history.

Primary Examiner — David Muller
(74) Attorney, Agent, or Firm — Dickinson Wright, PLLC

(57) **CLAIM**

The ornamental design for a septum seal, as shown and described.

DESCRIPTION

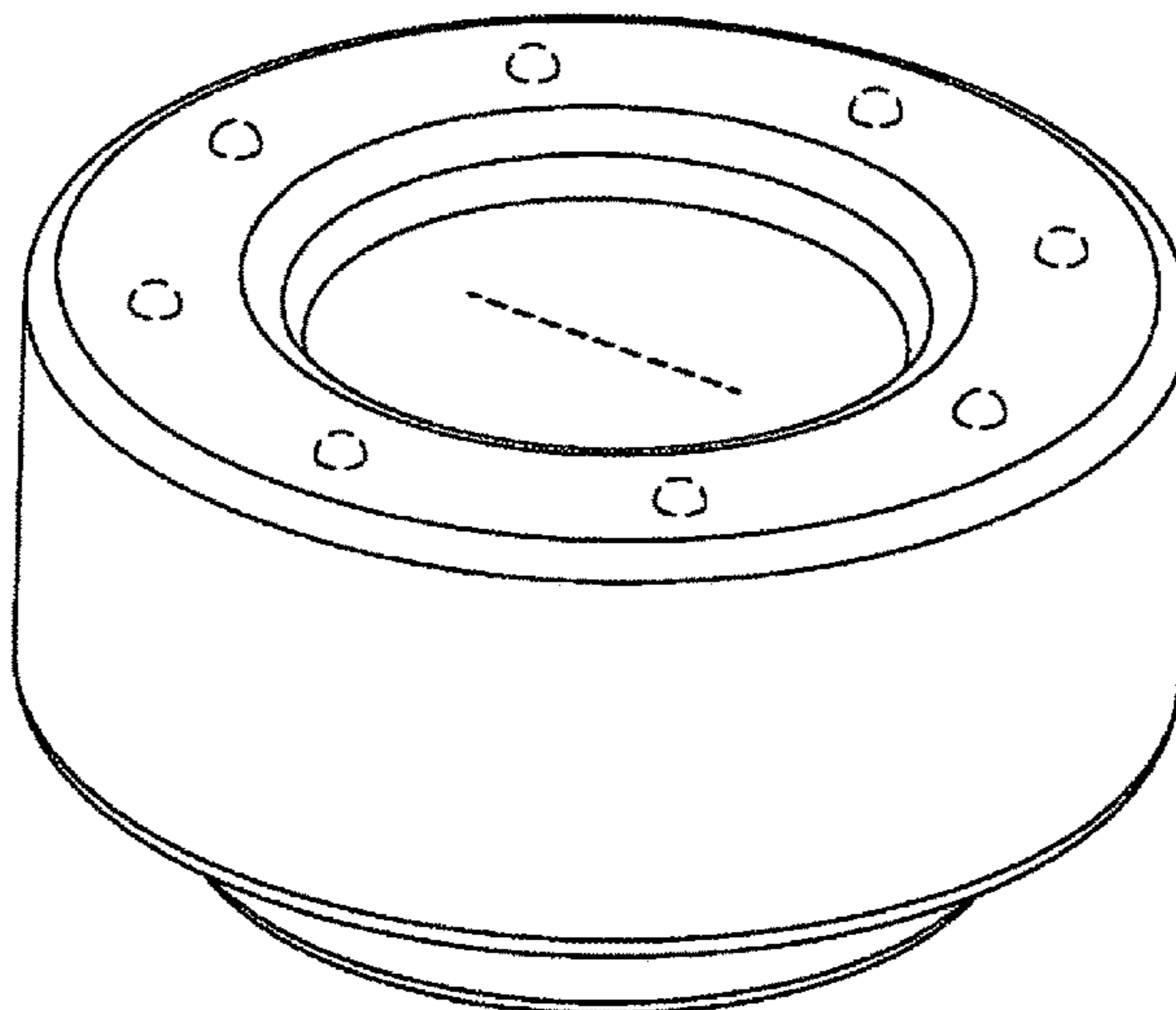
FIG. 1 is a top perspective view of a septum seal showing our new design;
FIG. 2 is a bottom perspective view thereof;
FIG. 3 is a top plan view thereof;
FIG. 4 is a front elevational view thereof. The right, left, and rear elevational views are the same as the front elevational view;
FIG. 5 is a bottom plan view thereof;
FIG. 6 is a cross-sectional view thereof, taken along the line 6-6 in FIG. 3; and,
FIG. 7 is a cross-sectional view thereof, taken along the line 7-7 in FIG. 3.
The broken lines in the drawings represent portions of the septum seal that form no part of the claimed design.

(56) **References Cited**

U.S. PATENT DOCUMENTS

4,219,912 A 9/1980 Adams
5,209,737 A * 5/1993 Ritchart A61B 17/3462
604/167.03
5,273,545 A 12/1993 Hunt et al.

1 Claim, 4 Drawing Sheets



(56)

References Cited

U.S. PATENT DOCUMENTS

6,454,745	B1 *	9/2002	Donnan	A61M 5/3134 604/181
6,455,005	B1 *	9/2002	Berray	B01L 3/50853 215/247
6,685,674	B2	2/2004	Douglas et al.	
6,716,396	B1 *	4/2004	Anderson	B01L 3/0275 215/232
7,699,808	B2	4/2010	Marrs et al.	
7,731,691	B2	6/2010	Cote et al.	
7,771,412	B2	8/2010	Anderson et al.	
7,892,216	B2	2/2011	Fangrow	
7,993,306	B2	8/2011	Marrs et al.	
7,993,609	B2 *	8/2011	LaValley	A61L 2/26 206/222
8,142,736	B2 *	3/2012	Qian	B01L 3/50825 422/500
8,177,084	B2 *	5/2012	Fox	B01L 3/50825 215/247
8,226,614	B2	7/2012	Turner et al.	
8,387,811	B2 *	3/2013	Livingston	B01L 3/50825 215/247
8,551,047	B2	10/2013	Burns et al.	
2005/0267487	A1	12/2005	Christensen et al.	

* cited by examiner

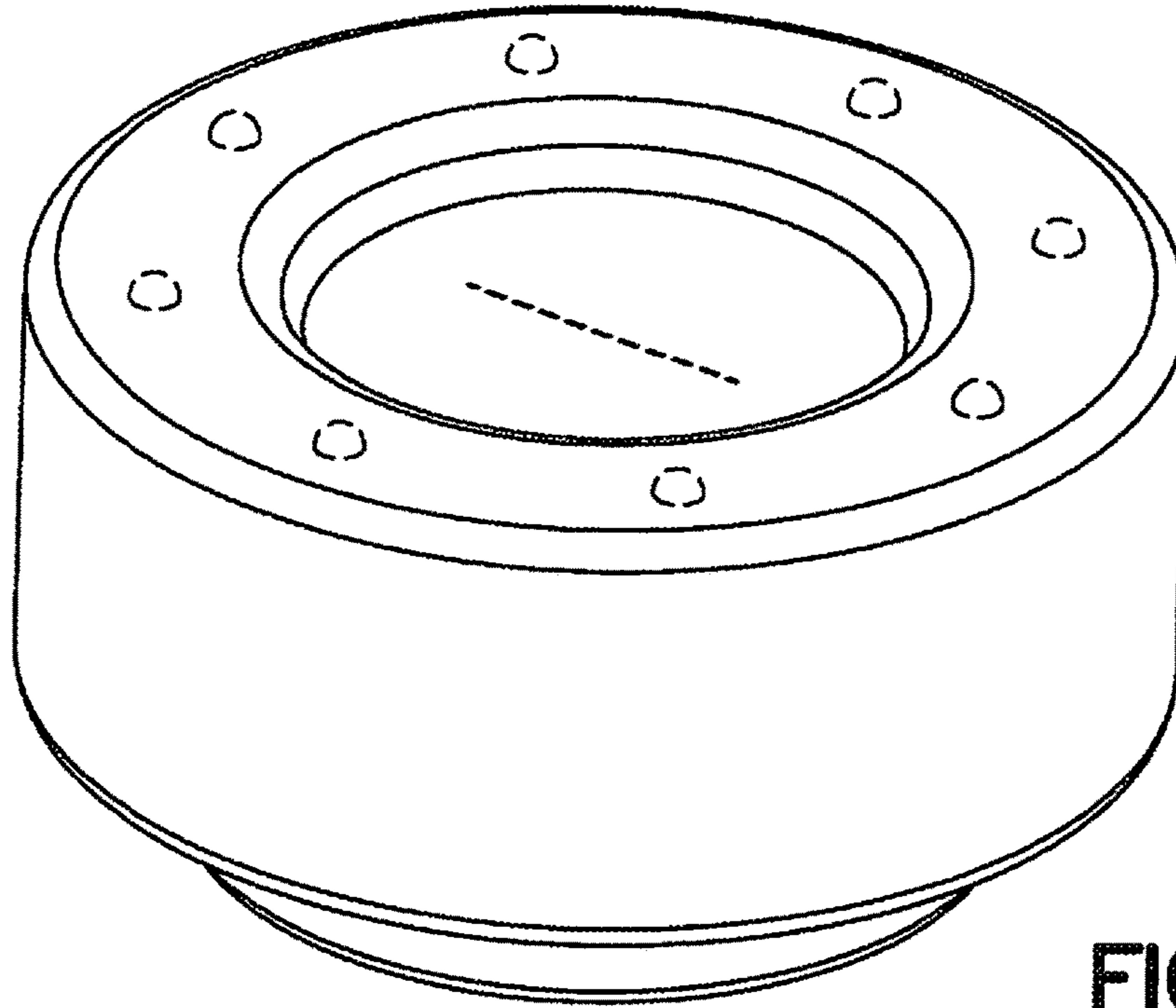


FIG. 1

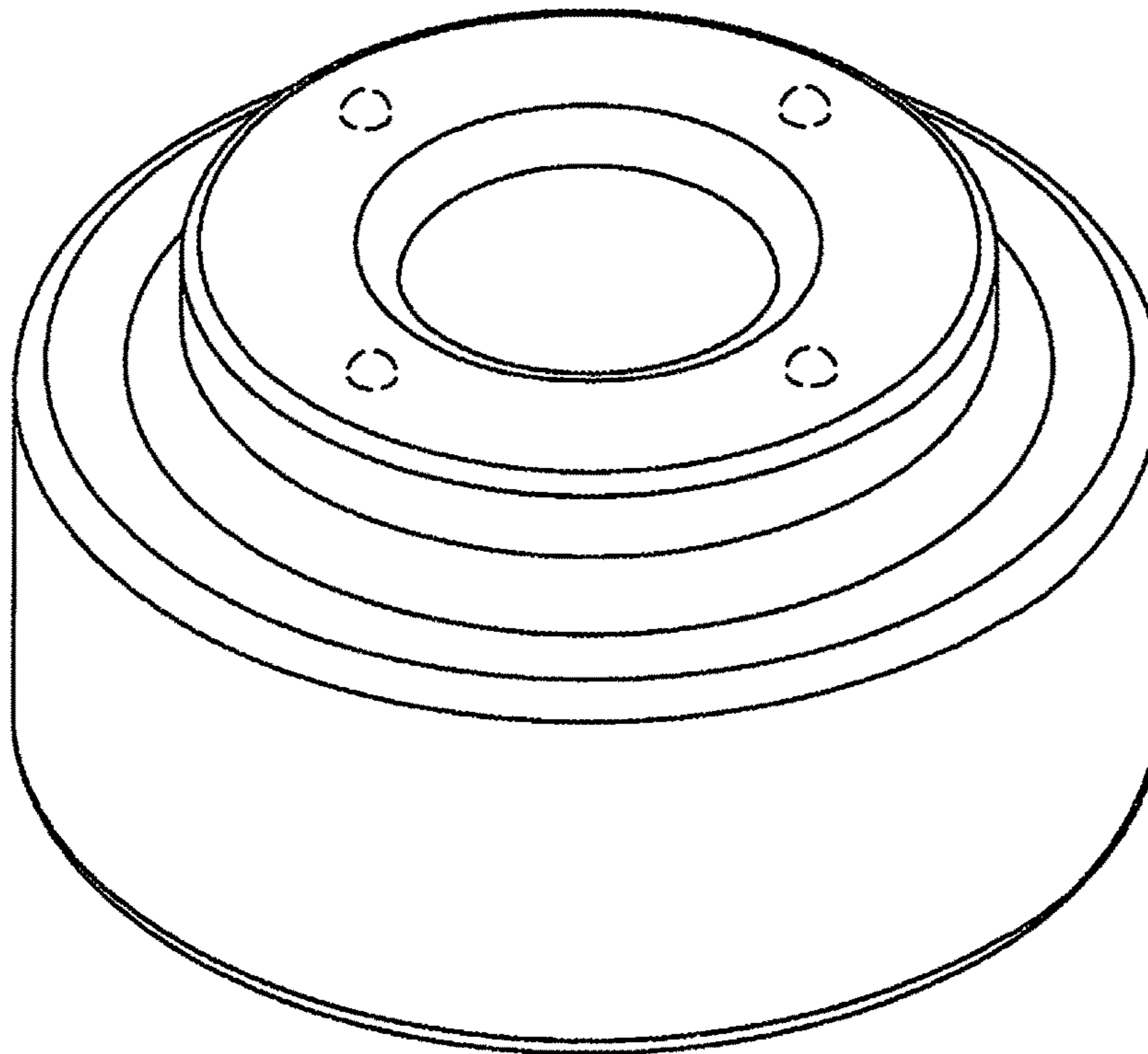


FIG. 2

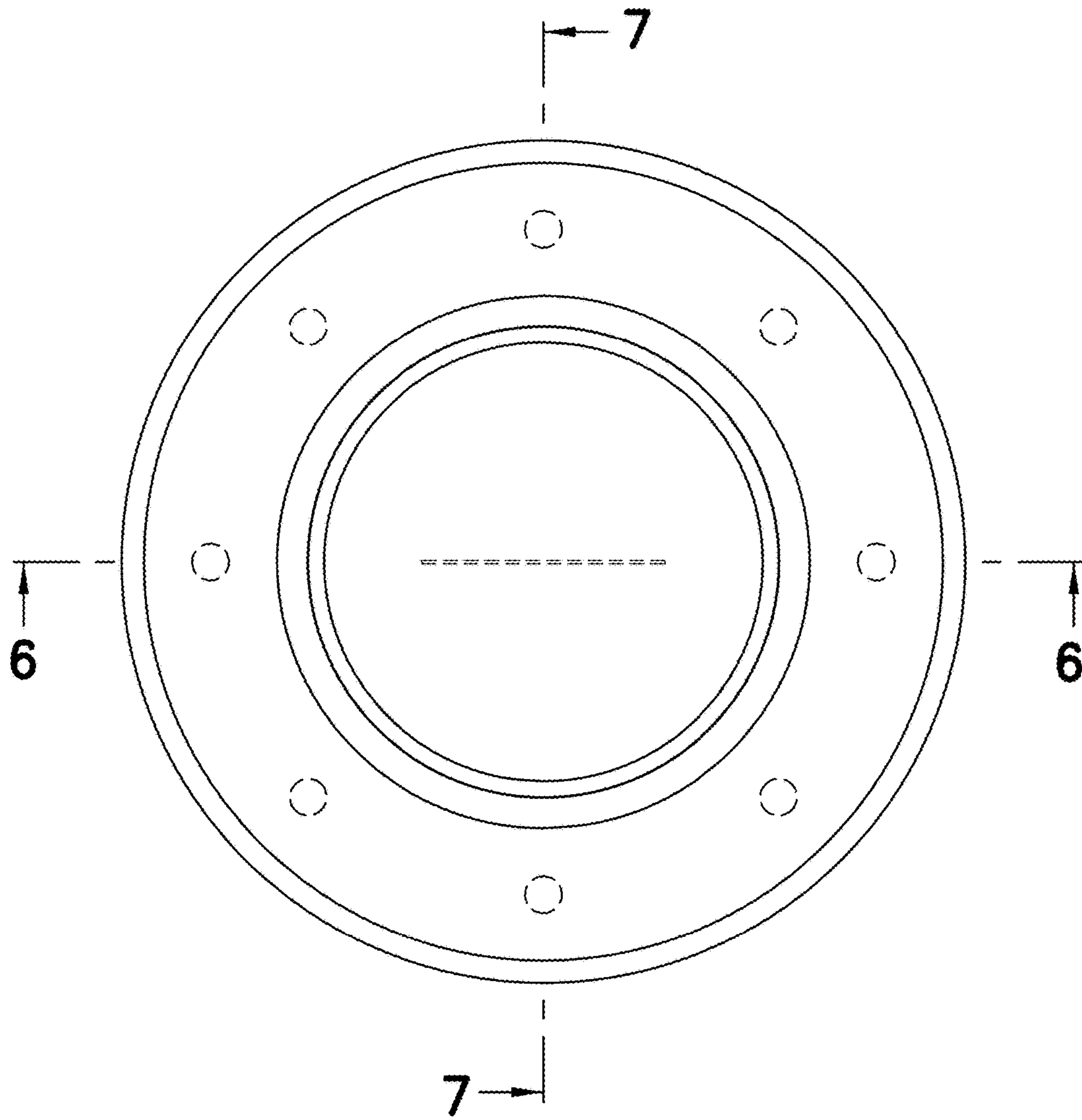


FIG.3

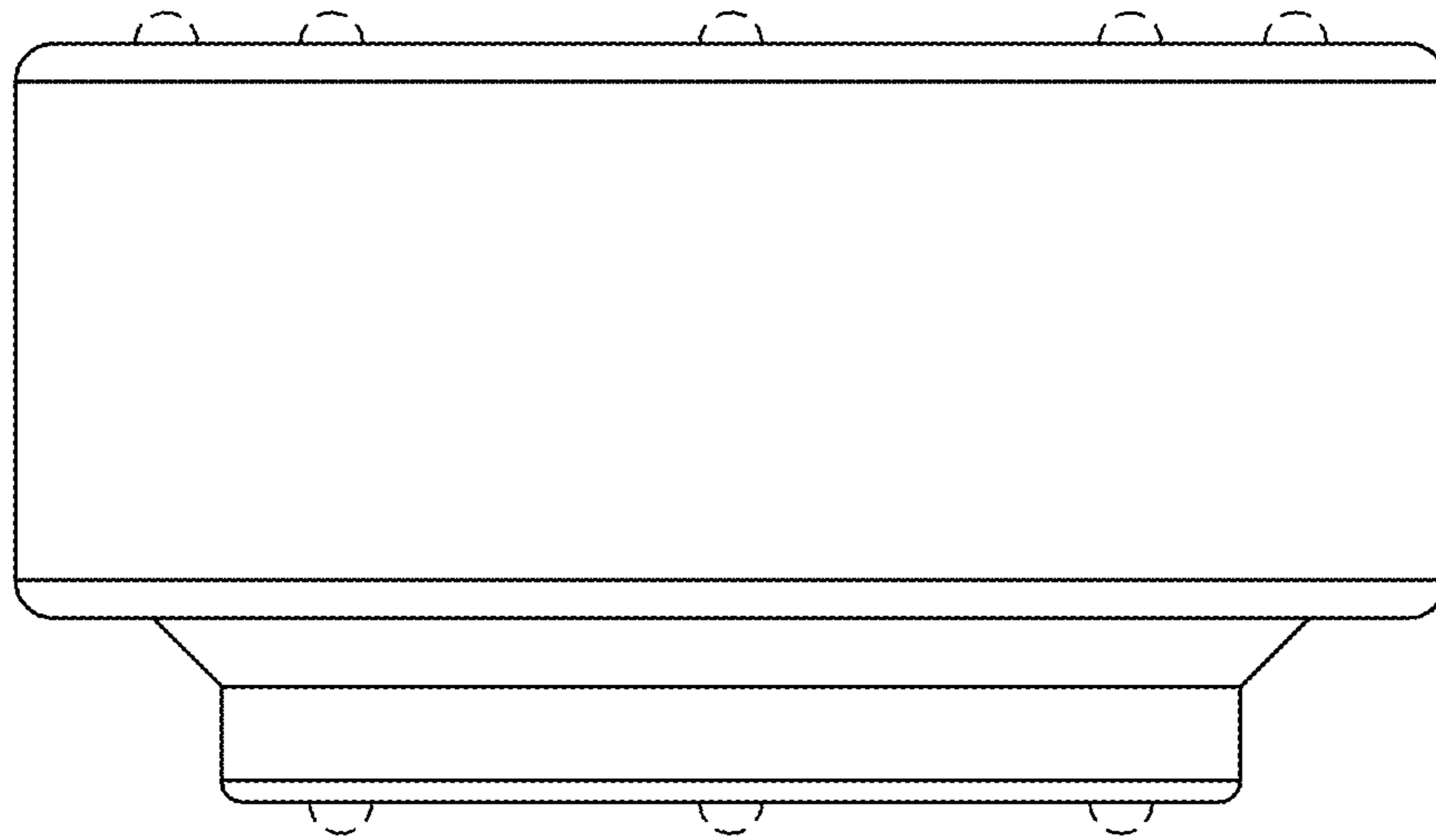


FIG. 4

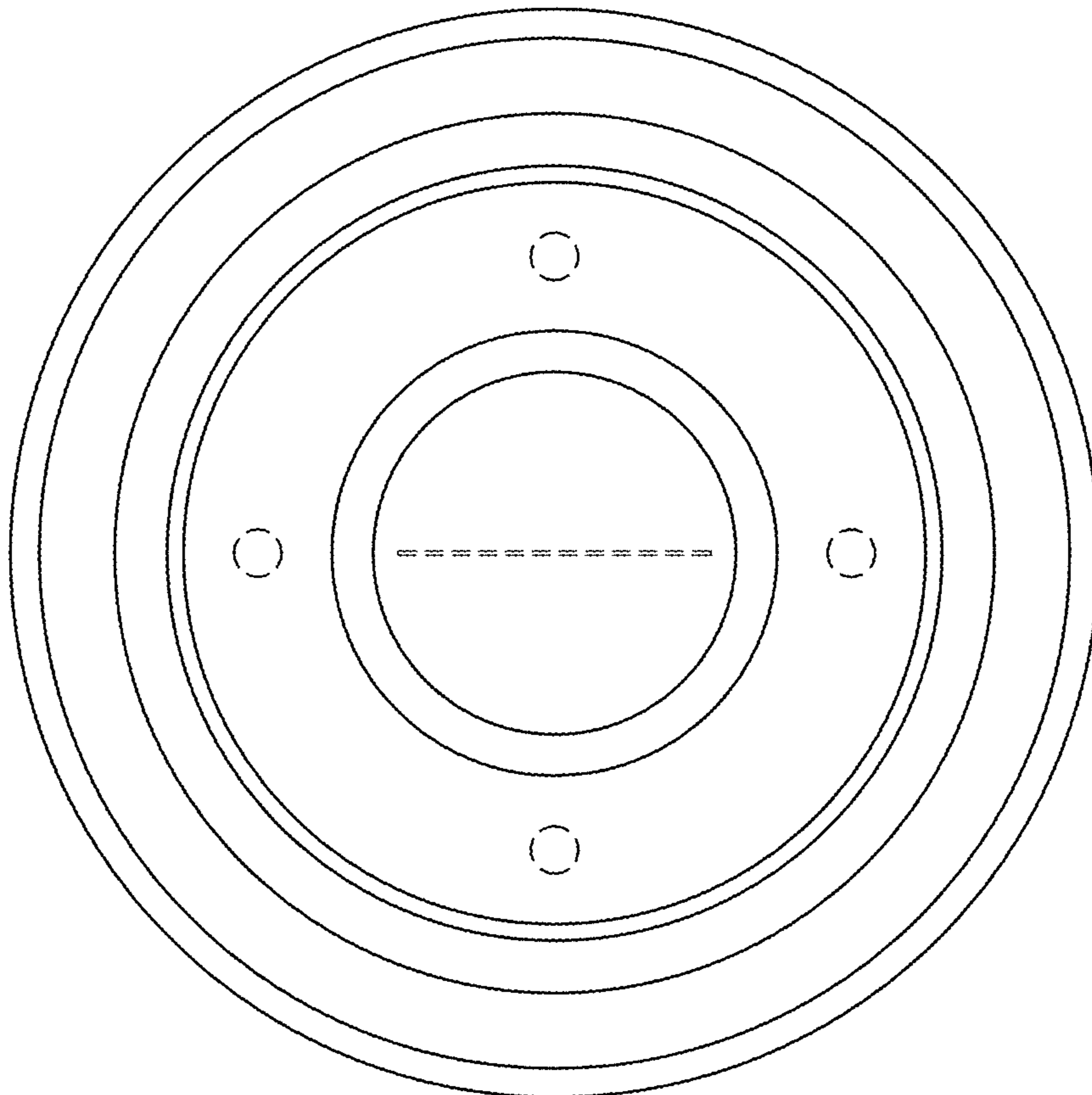


FIG. 5

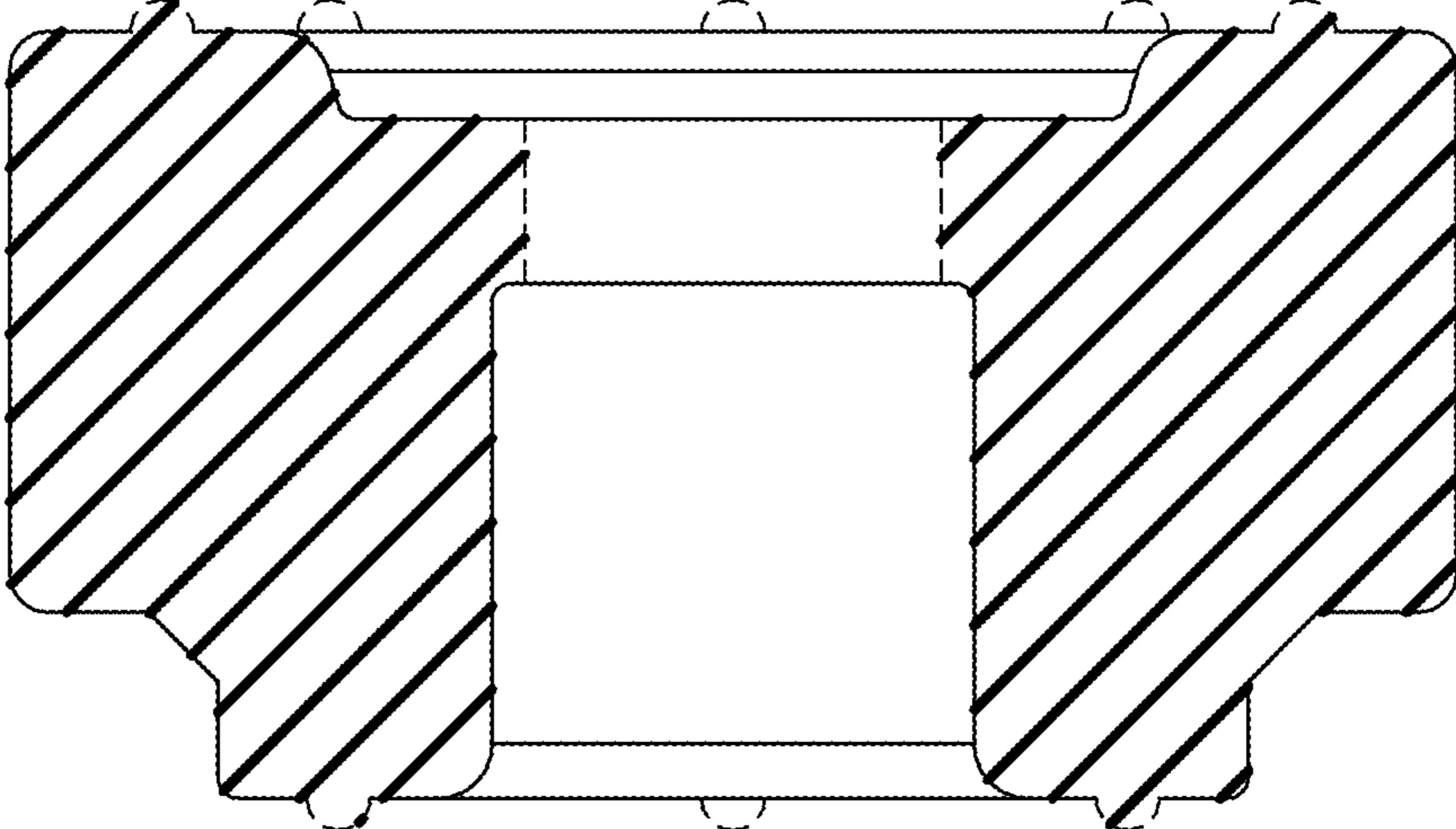


FIG. 6

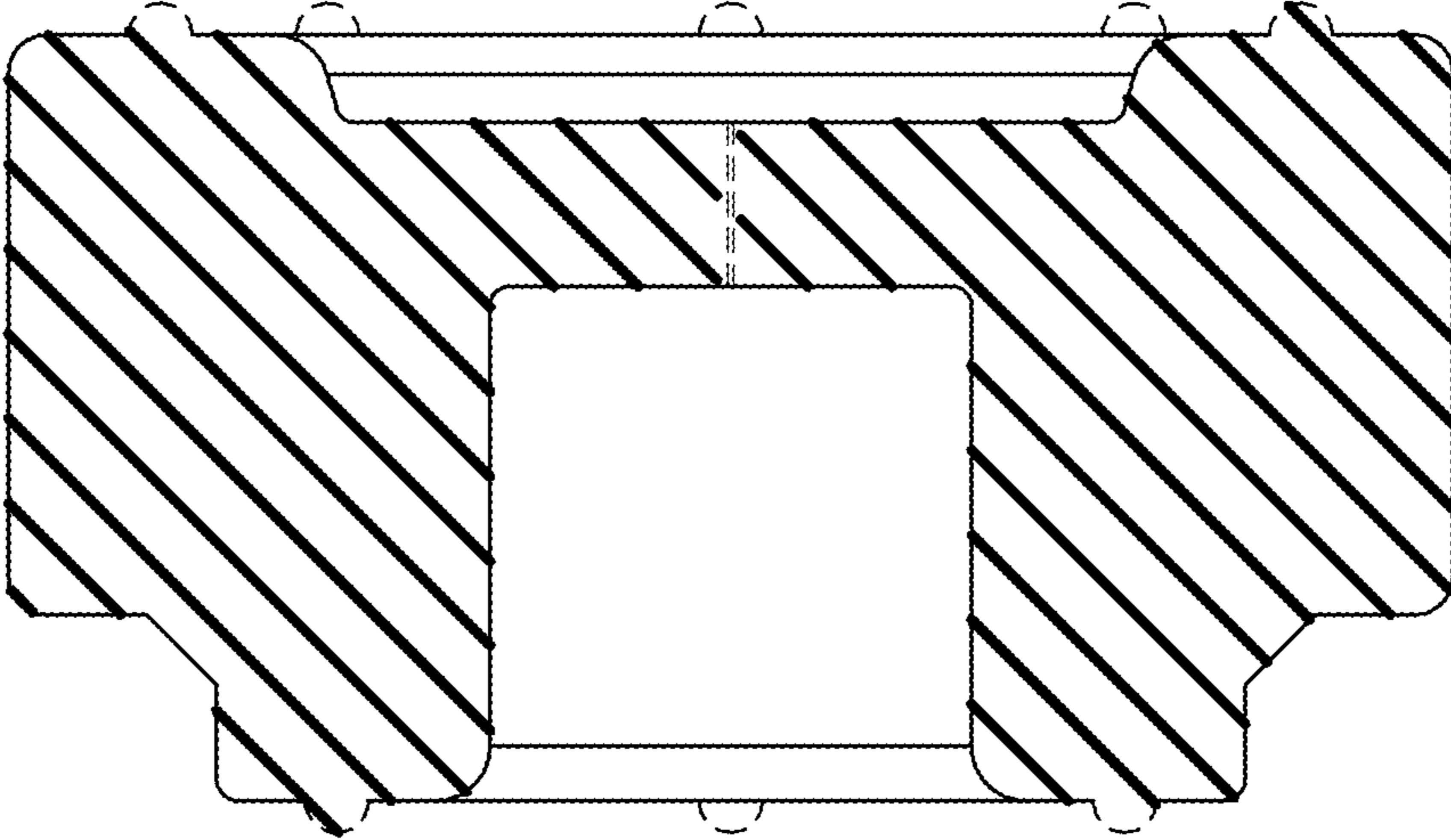


FIG. 7