



US00D806239S

(12) **United States Design Patent** (10) **Patent No.:** **US D806,239 S**
Melendez et al. (45) **Date of Patent:** **** Dec. 26, 2017**

(54) **ABSORBENT ARTICLE WITH A PATTERN**

D442,279 S 5/2001 Ruman et al.

D479,989 S 9/2003 Drumm

D583,936 S 12/2008 Sasayama

D631,540 S 1/2011 Venable

(Continued)

(71) Applicant: **The Procter & Gamble Company**,
Cincinnati, OH (US)

(72) Inventors: **Vanessa Marie Melendez**, Cincinnati,
OH (US); **Jeremy Menner**, Cincinnati,
OH (US); **Jessica Owen Stephens**,
Cincinnati, OH (US); **McKenzie Kae
Elston**, Cincinnati, OH (US)

FOREIGN PATENT DOCUMENTS

WO WO 03-105741 A1 12/2003

OTHER PUBLICATIONS

Target.com cached archive copy from Jul. 23, 2014, accessed via
WaybackMachine.org on Dec. 10, 2015, with image of “Marie Meili
Curvy Women’s Sofia Light Control Brief”.

(Continued)

(73) Assignee: **The Procter & Gamble Company**,
Cincinnati, OH (US)

(**) Term: **15 Years**

(21) Appl. No.: **29/593,297**

(22) Filed: **Feb. 8, 2017**

Primary Examiner — Thomas Johannes

Assistant Examiner — Samantha Q Lawrence

(74) *Attorney, Agent, or Firm* — Dara M. Kendall

Related U.S. Application Data

(63) Continuation of application No. 29/534,763, filed on
Jul. 31, 2015.

(51) **LOC (10) Cl.** **24-04**

(52) **U.S. Cl.**

USPC **D24/126**

(58) **Field of Classification Search**

USPC D2/700, 701; D24/124–126; 604/347,
604/348, 354, 358–361, 378, 385.01,
604/385.201, 385.22, 385.24, 385.25

CPC A61F 13/15; A61F 13/64; A61F 13/476;
A61F 13/5611; A61F 13/4704; A61F
13/535; A61F 13/539; A61F 13/47; A61F
13/531

See application file for complete search history.

(57) **CLAIM**

The ornamental design for an absorbent article with a
pattern, as shown and described.

DESCRIPTION

FIG. 1 is a perspective view of an absorbent article with a
pattern.

FIG. 2 is a front view thereof;

FIG. 3 is a rear view thereof;

FIG. 4 is a right side view thereof;

FIG. 5 is a left side view thereof;

FIG. 6 is a top end view thereof; and,

FIG. 7 is a bottom end view thereof.

The stippling shown in FIGS. 1-2 and 4-6 indicates a
contrast in appearance.

The broken lines are included for the purpose of illustrating
environment and form no part of the claimed design.

The broken lines shown in FIG. 1 and FIGS. 4-6 illustrate
stitching and forms no part of the claimed design.

(56) **References Cited**

U.S. PATENT DOCUMENTS

5,624,420 A * 4/1997 Bridges A61F 13/49015
156/290

D432,236 S 10/2000 Dutcher

1 Claim, 5 Drawing Sheets



(56)

References Cited

U.S. PATENT DOCUMENTS

D639,936 S * 6/2011 Faulks D24/126
8,038,662 B2 10/2011 Hornung
8,377,028 B2 * 2/2013 Wheeler A61F 13/15699
156/160
8,449,517 B2 5/2013 Ueda
D693,464 S 11/2013 Neely
D733,872 S 7/2015 Beck
9,101,513 B2 8/2015 Takhashi
9,248,054 B2 2/2016 Brown
9,278,032 B2 3/2016 Morimoto
D782,157 S * 3/2017 Shoemaker A41B 9/008
D2/712
9,610,203 B2 * 4/2017 Wade A61F 13/49014
2001/0053898 A1 12/2001 Olson et al.
2006/0173436 A1 8/2006 Krautkramer et al.
2010/0076394 A1 3/2010 Hayase et al.
2013/0102987 A1 * 4/2013 Mukai A61F 13/49011
604/385.29
2013/0306225 A1 11/2013 Wade et al.
2013/0324956 A1 12/2013 Zink et al.

OTHER PUBLICATIONS

Target.com cached archive copy from Jul. 23, 2014, accessed via
WaybackMachine.org on Dec. 10, 2015, with image of "Women's
Cotton with Lace Hipster Panty-Xhilaration".

Target.com cached archive copy from Aug. 22, 2014, accessed via
WaybackMachine.org on Dec. 10, 2015, with image of "Pampers
Easy Ups".

Photos of Pampers EasyUps package, purchased at Kroger on Sep.
20, 2010.

* cited by examiner



Fig. 1

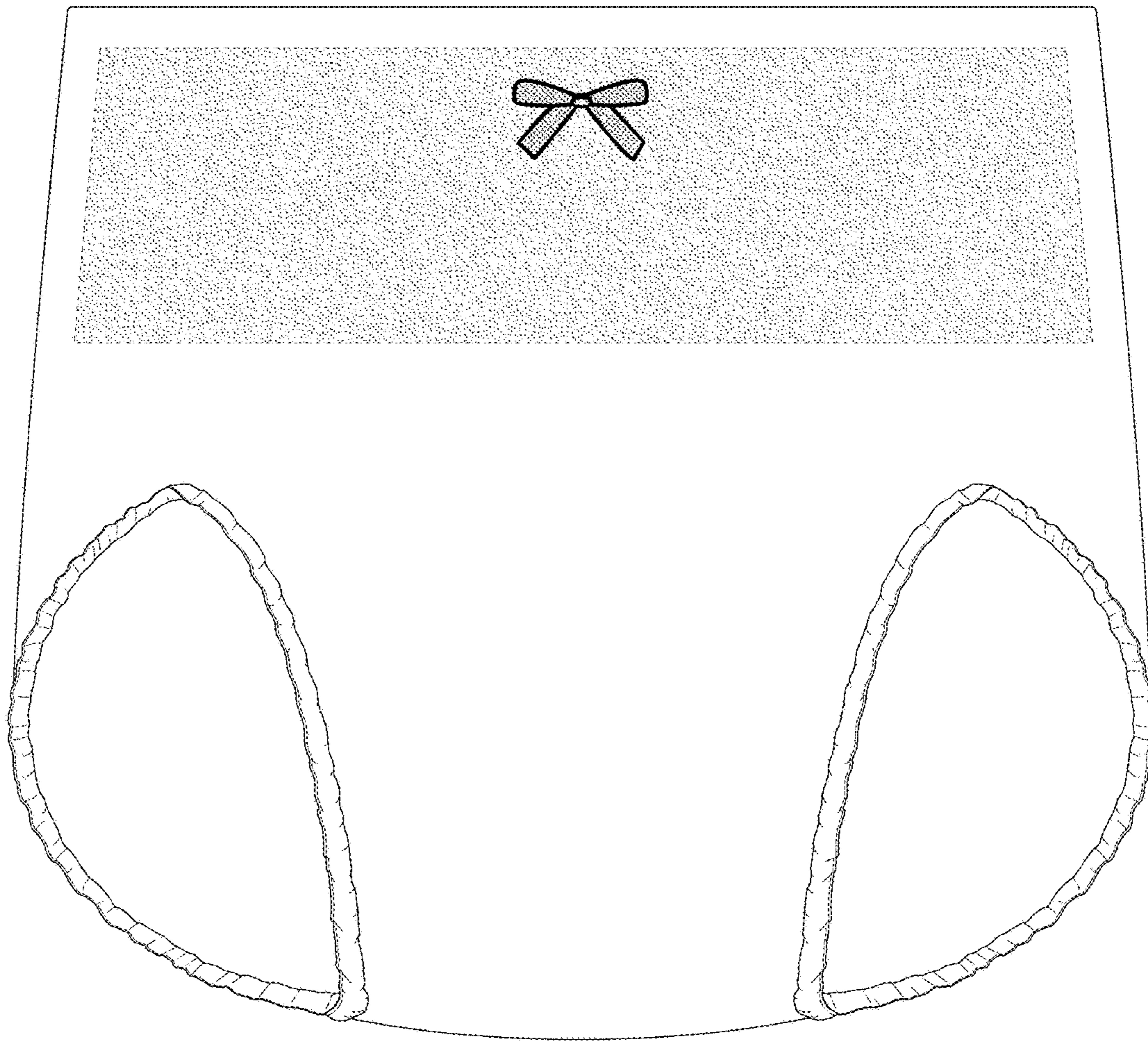


Fig. 2

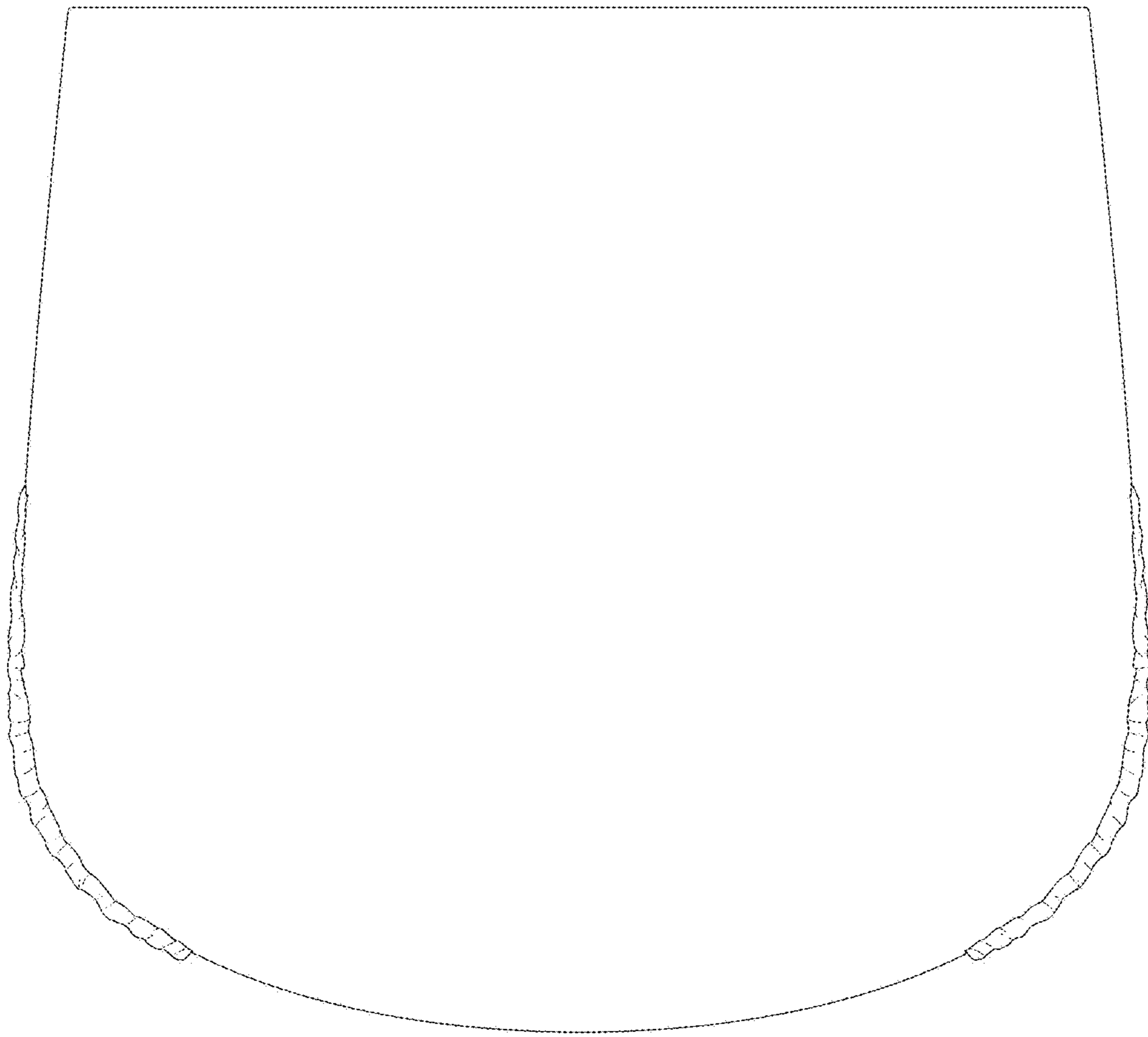


Fig. 3

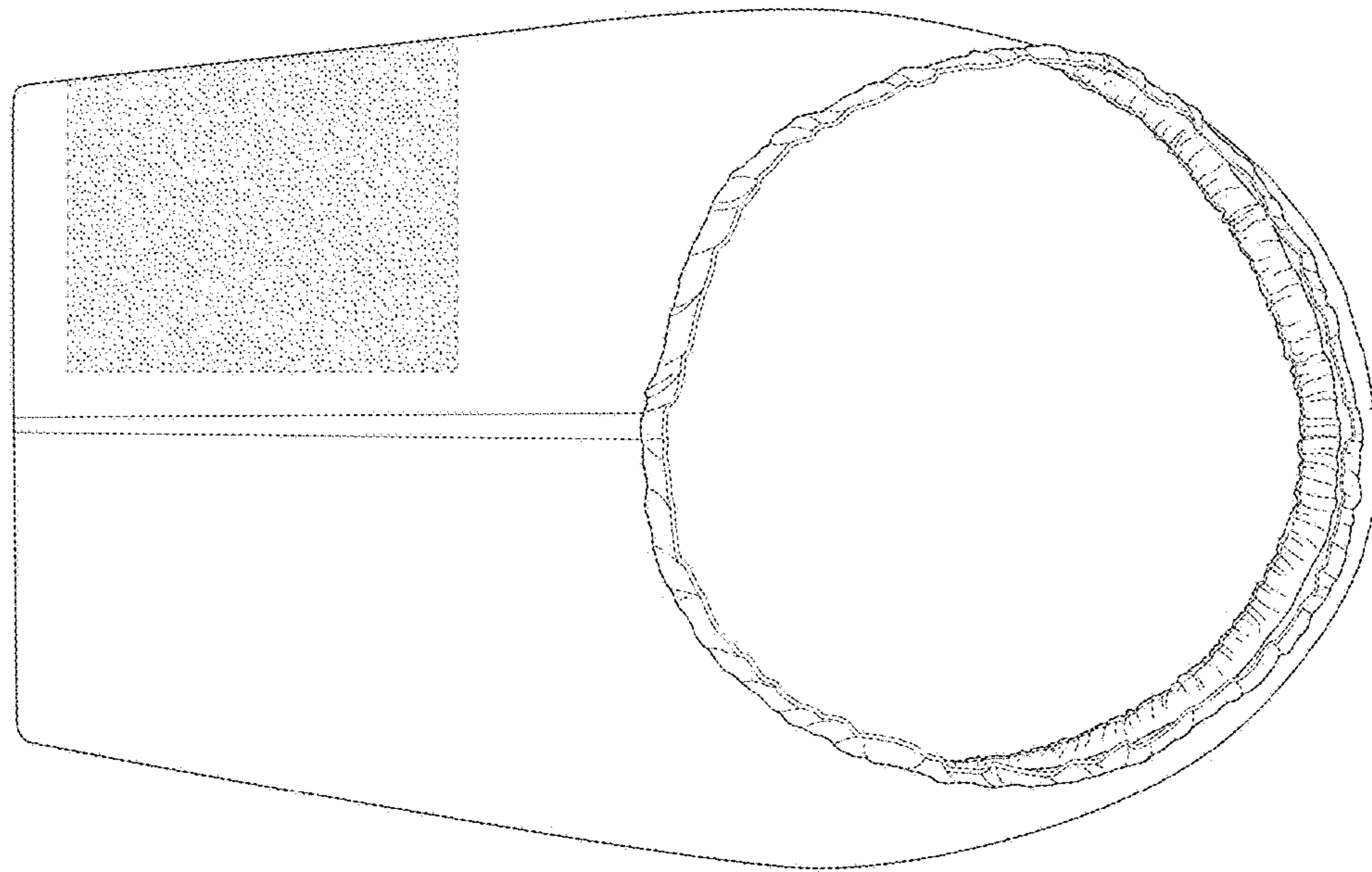


Fig. 5

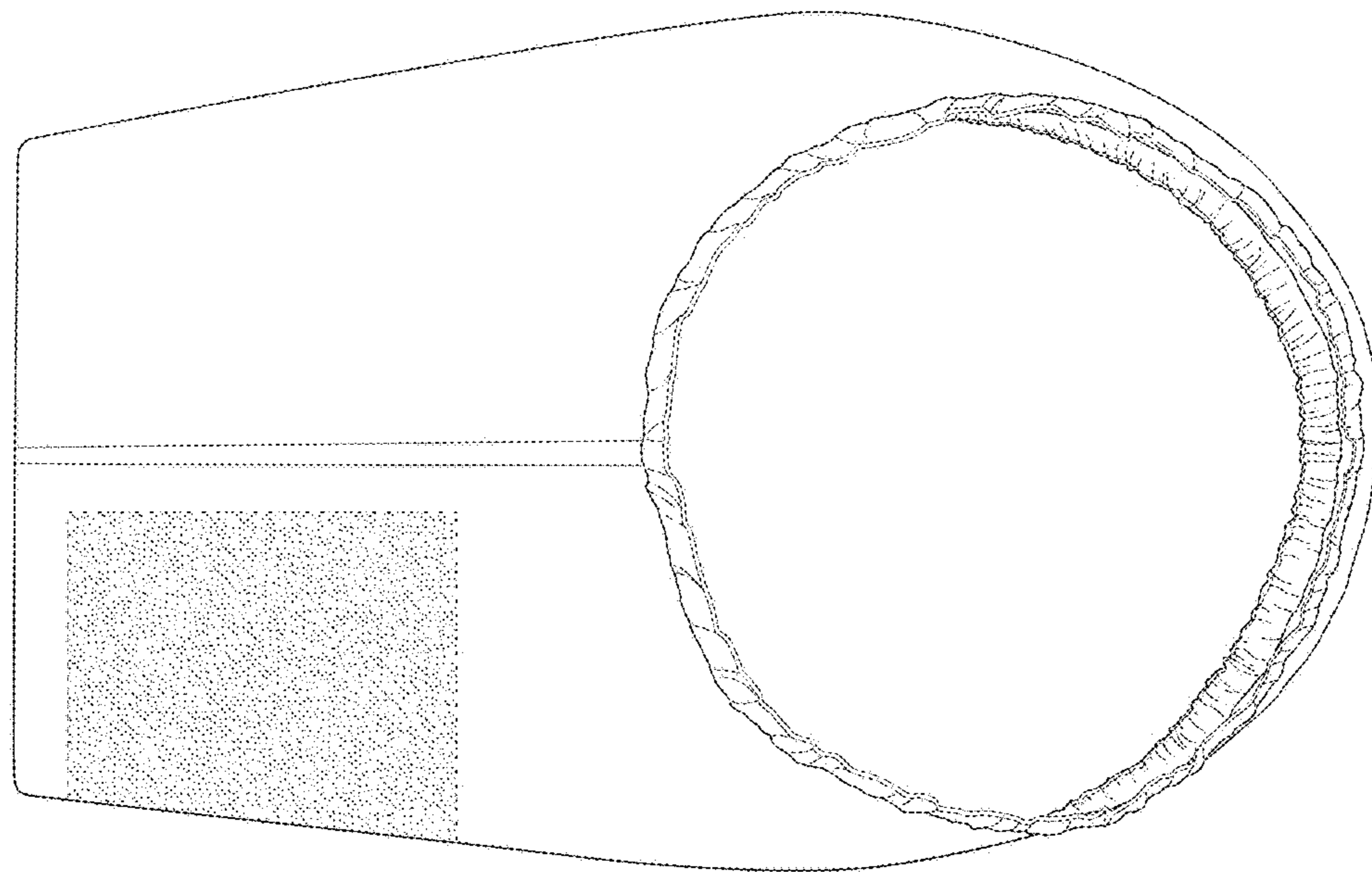


Fig. 4

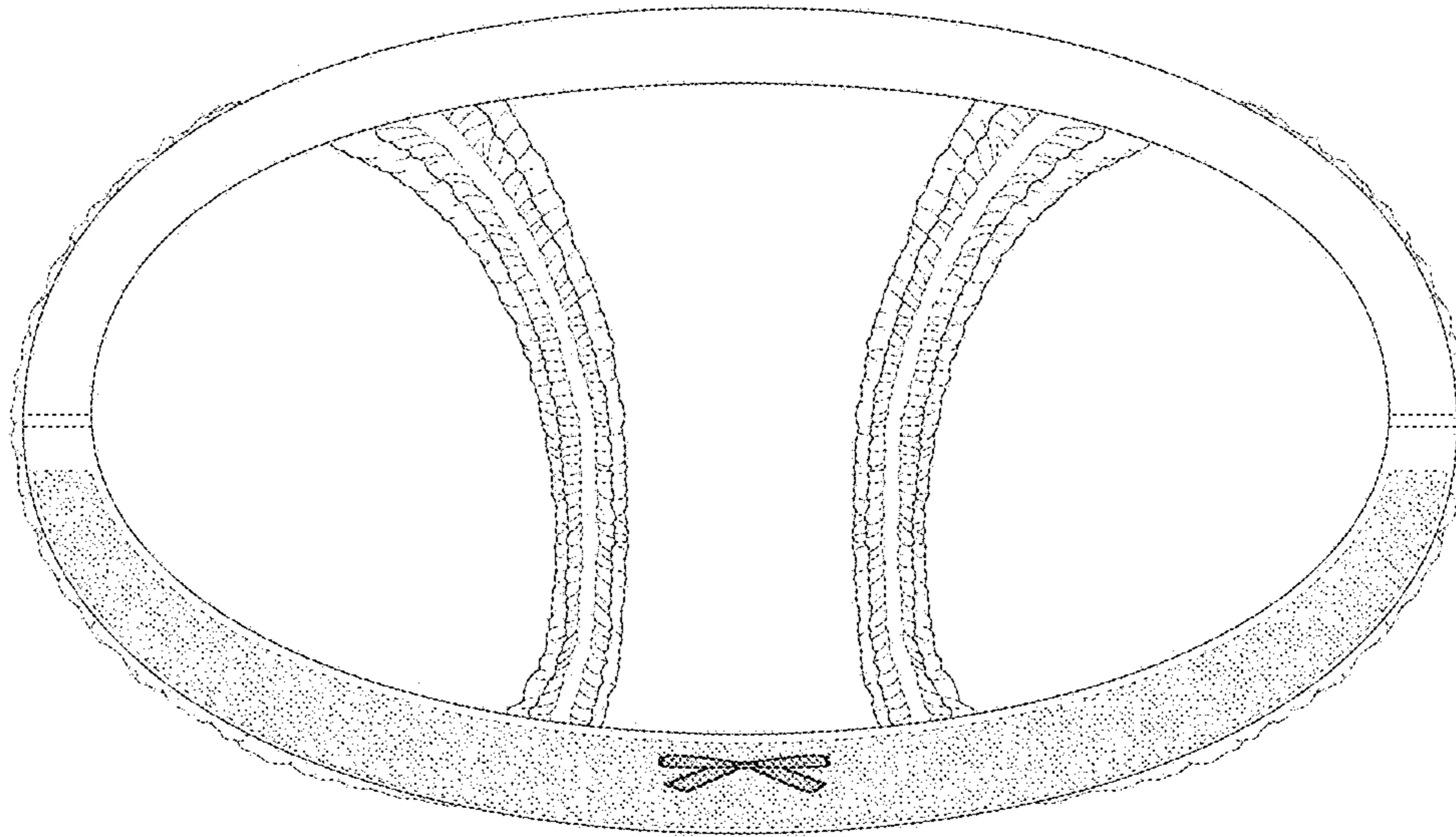


Fig. 6

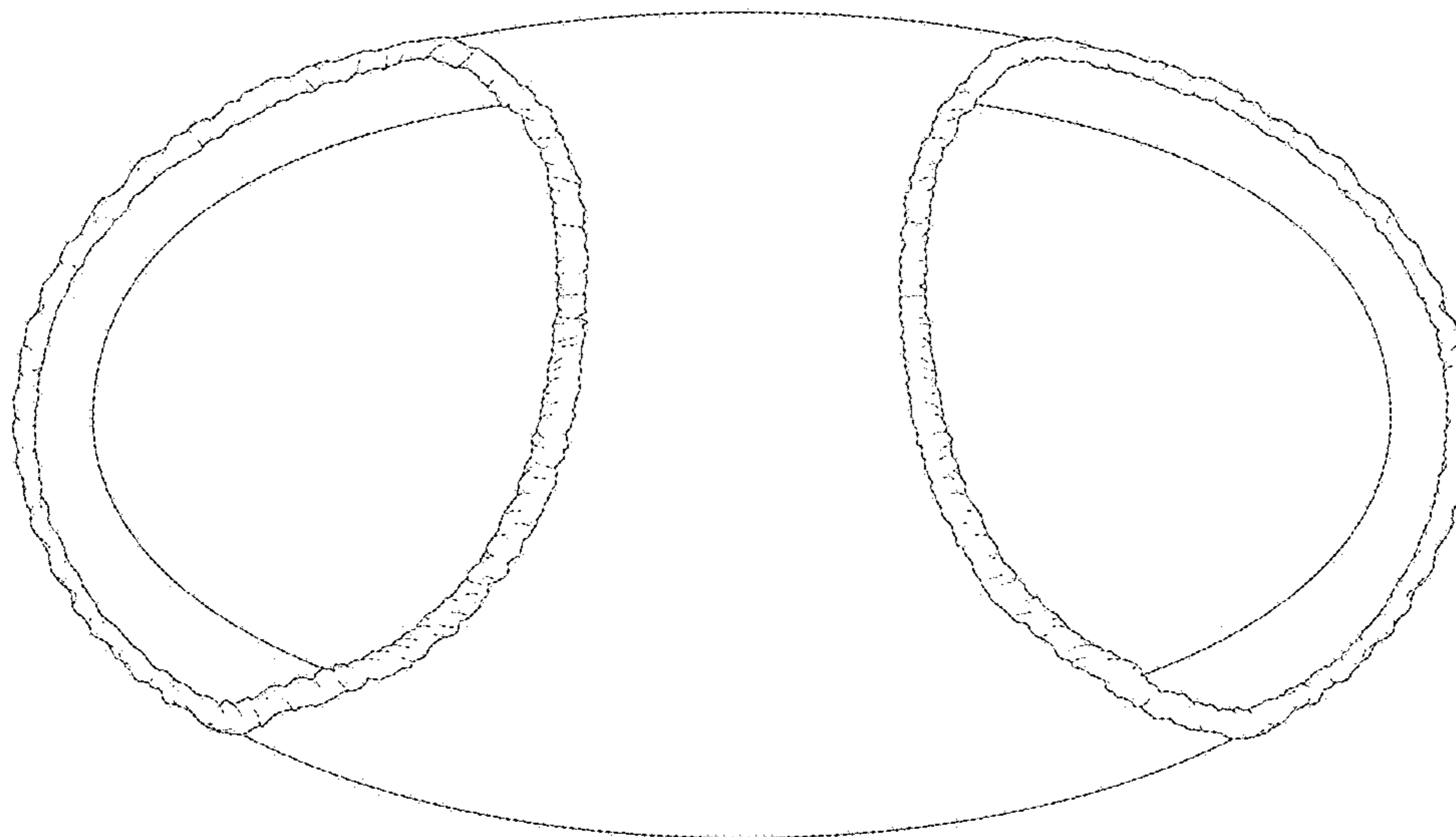


Fig. 7