

US00D806238S

(12) **United States Design Patent** (10) **Patent No.:** **US D806,238 S**
Hashimoto et al. (45) **Date of Patent:** **** Dec. 26, 2017**

(54) **MEDICAL LIQUID APPLICATOR WITH CRESCENT SHAPED CONVEX PART**

D527,489 S * 8/2006 Angeletta D28/7
D527,842 S * 9/2006 Angeletta D28/7
8,911,771 B2 * 12/2014 Vanek A61K 31/045
424/443
D780,307 S * 2/2017 Mingione D24/119

(71) Applicant: **Otsuka Pharmaceutical Factory, Inc.**,
Tokushima (JP)

* cited by examiner

(72) Inventors: **Kazumasa Hashimoto**, Tokushima
(JP); **Mari Shiozaki**, Tokushima (JP)

Primary Examiner — Thomas Johannes

(73) Assignee: **OTSUKA PHARMACEUTICAL FACTORY, INC.**, Tokushima (JP)

Assistant Examiner — Samantha Q Lawrence

(74) *Attorney, Agent, or Firm* — Margaret B. Brivanlou;
Nicole Fortune; King & Spalding LLP

(**) Term: **15 Years**

(57) **CLAIM**

(21) Appl. No.: **29/549,443**

The ornamental design for a medical liquid applicator with crescent shaped convex part, as shown and described.

(22) Filed: **Dec. 22, 2015**

DESCRIPTION

(30) **Foreign Application Priority Data**

Jun. 25, 2015 (JP) 2015-014061

(51) **LOC (10) Cl.** **24-02**

(52) **U.S. Cl.**
USPC **D24/119**

(58) **Field of Classification Search**
USPC D24/114, 119, 127, 128, 130, 133, 147,
D24/184; 128/919; 604/2, 192, 195,
604/197, 263
CPC ... A61M 25/0612; A61M 35/006; A61B 5/14;
A61B 5/1427
See application file for complete search history.

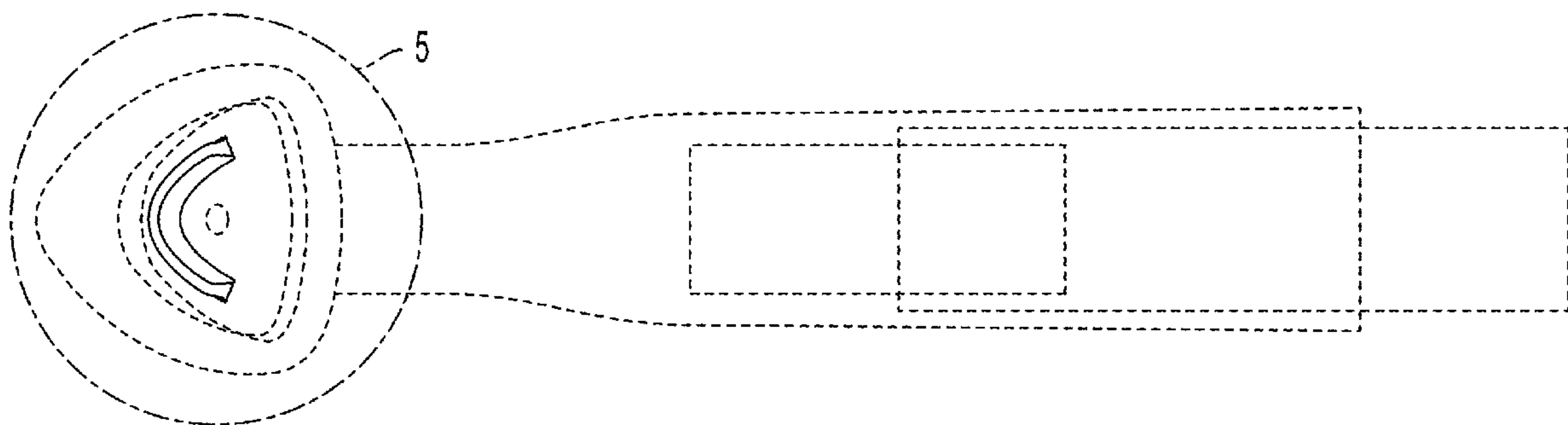
FIG. 1 is a front view of a medical liquid applicator with crescent shaped convex part, with an application pad attached, the rear view being a mirror image thereof;
FIG. 2 is a plan view thereof;
FIG. 3 is a bottom view thereof;
FIG. 4 is a bottom view without the application pad;
FIG. 5 is an enlarged view of circle 5 taken from FIG. 4;
FIG. 6 is a cross-sectional view taken along line 6-6 of FIG. 5;
FIG. 7 is a right side view thereof, with the application pad; and,
FIG. 8 is a left side view thereof.
The broken lines shown in FIGS. 1-8 illustrate portions of the medical liquid applicator with crescent shaped convex part that form no part of the claimed design.
The dash dot lines shown in FIGS. 4 and 5 illustrate areas where an enlarged section is taken and as cross-section indicators that form no part of the claimed design.

(56) **References Cited**

U.S. PATENT DOCUMENTS

D351,229 S * 10/1994 Wirt D24/119
6,536,975 B1 * 3/2003 Tufts A45D 34/04
401/133

1 Claim, 7 Drawing Sheets



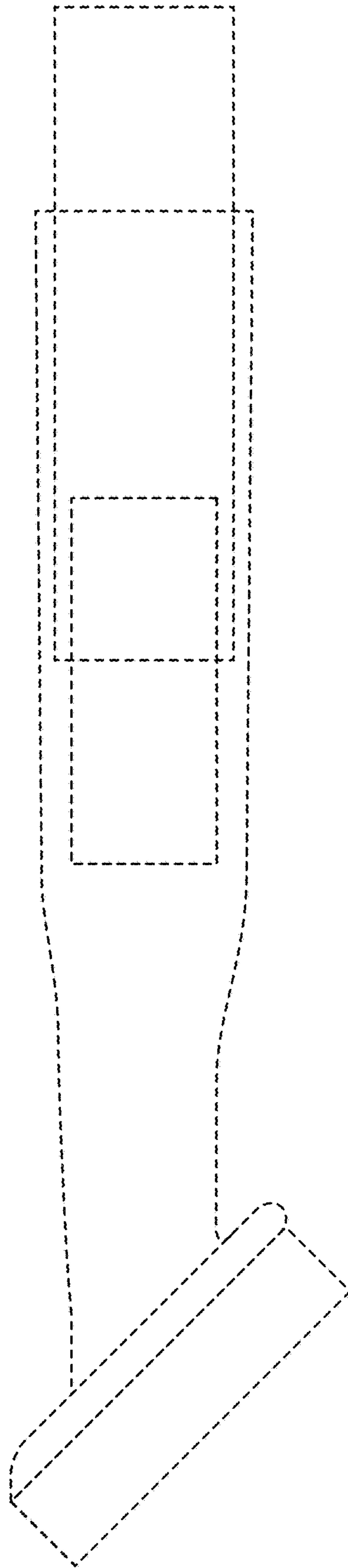


Fig.1

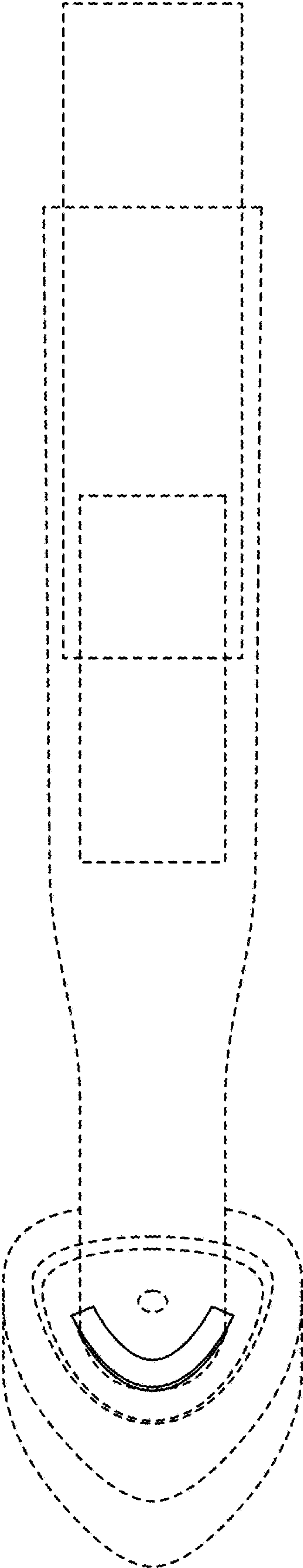


Fig.2

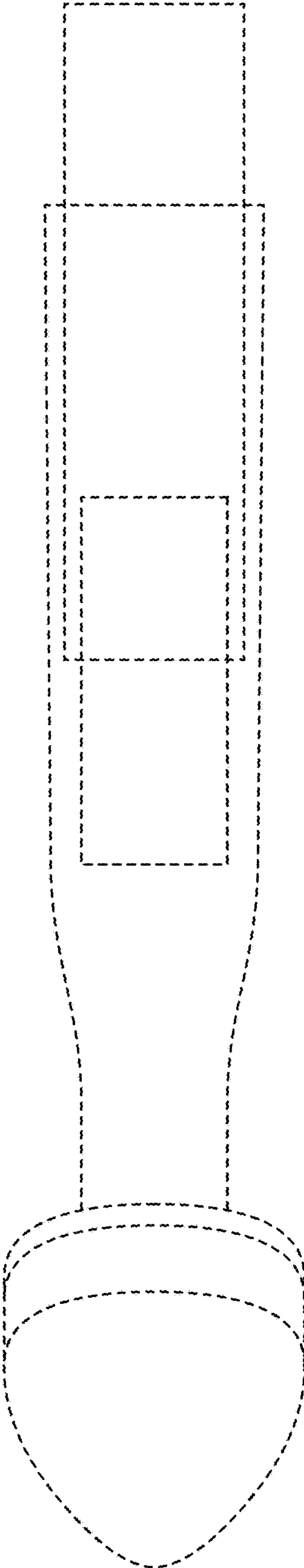


Fig.3

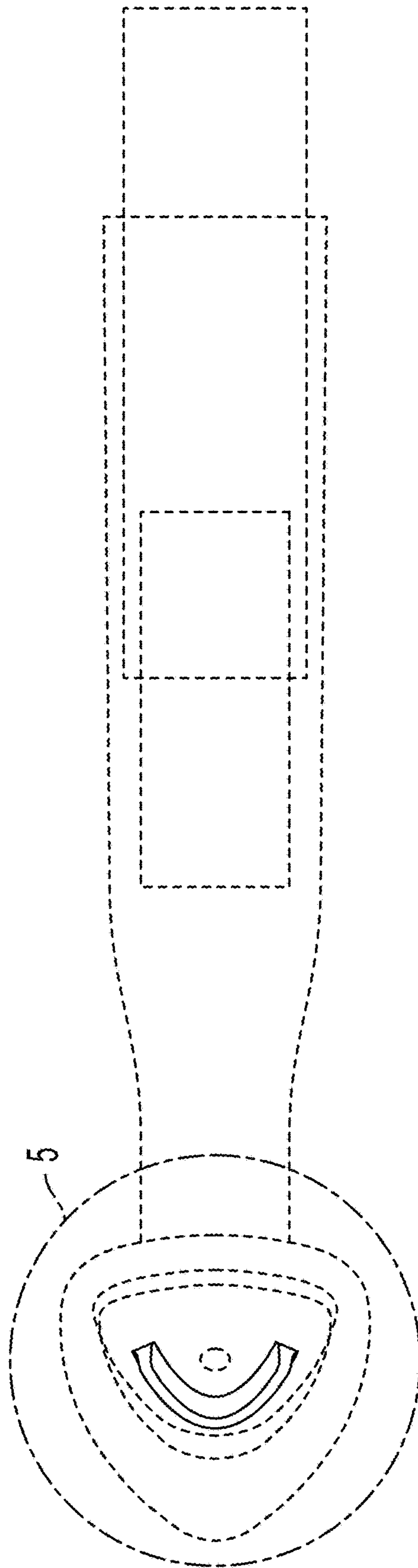


Fig.4

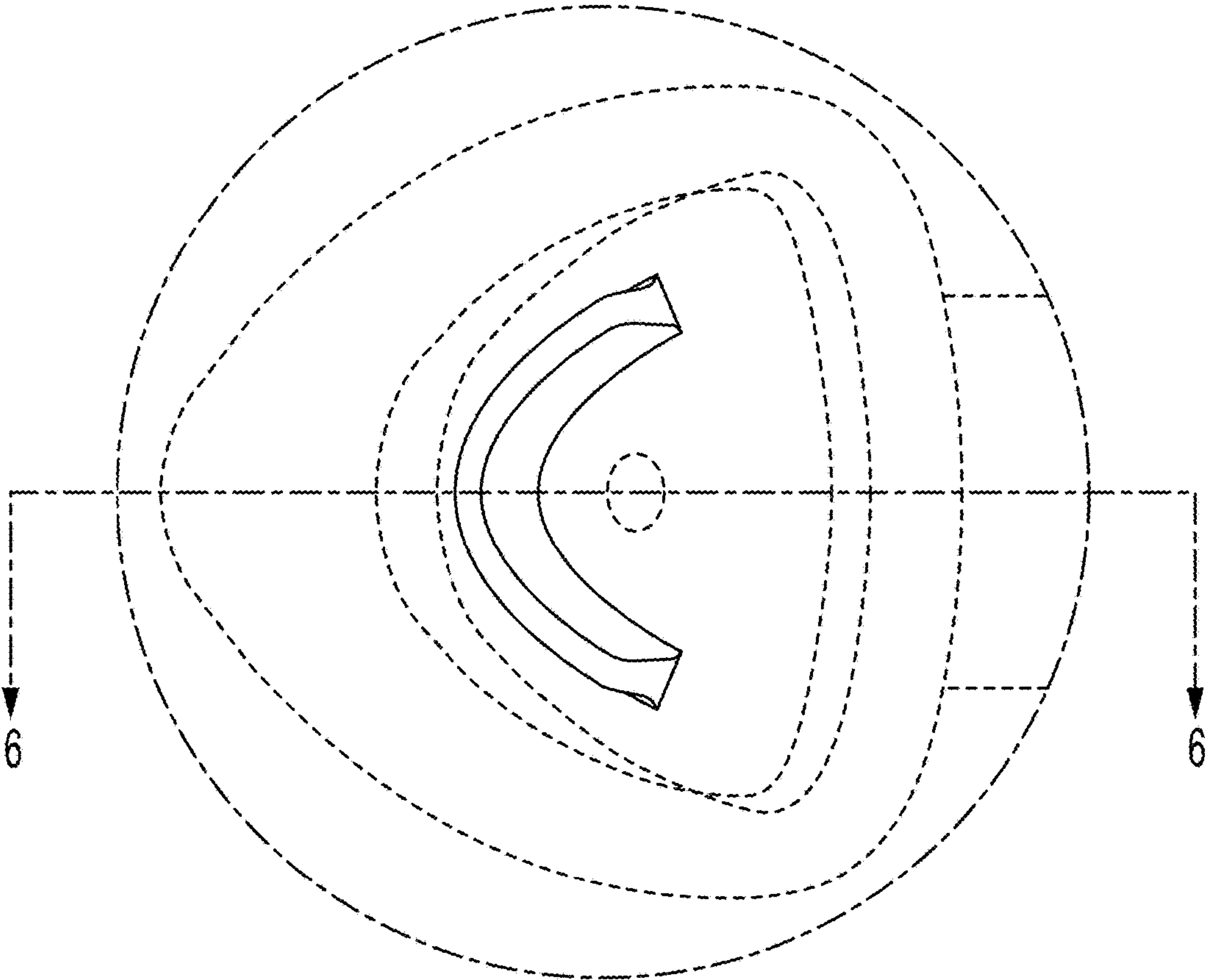


Fig.5

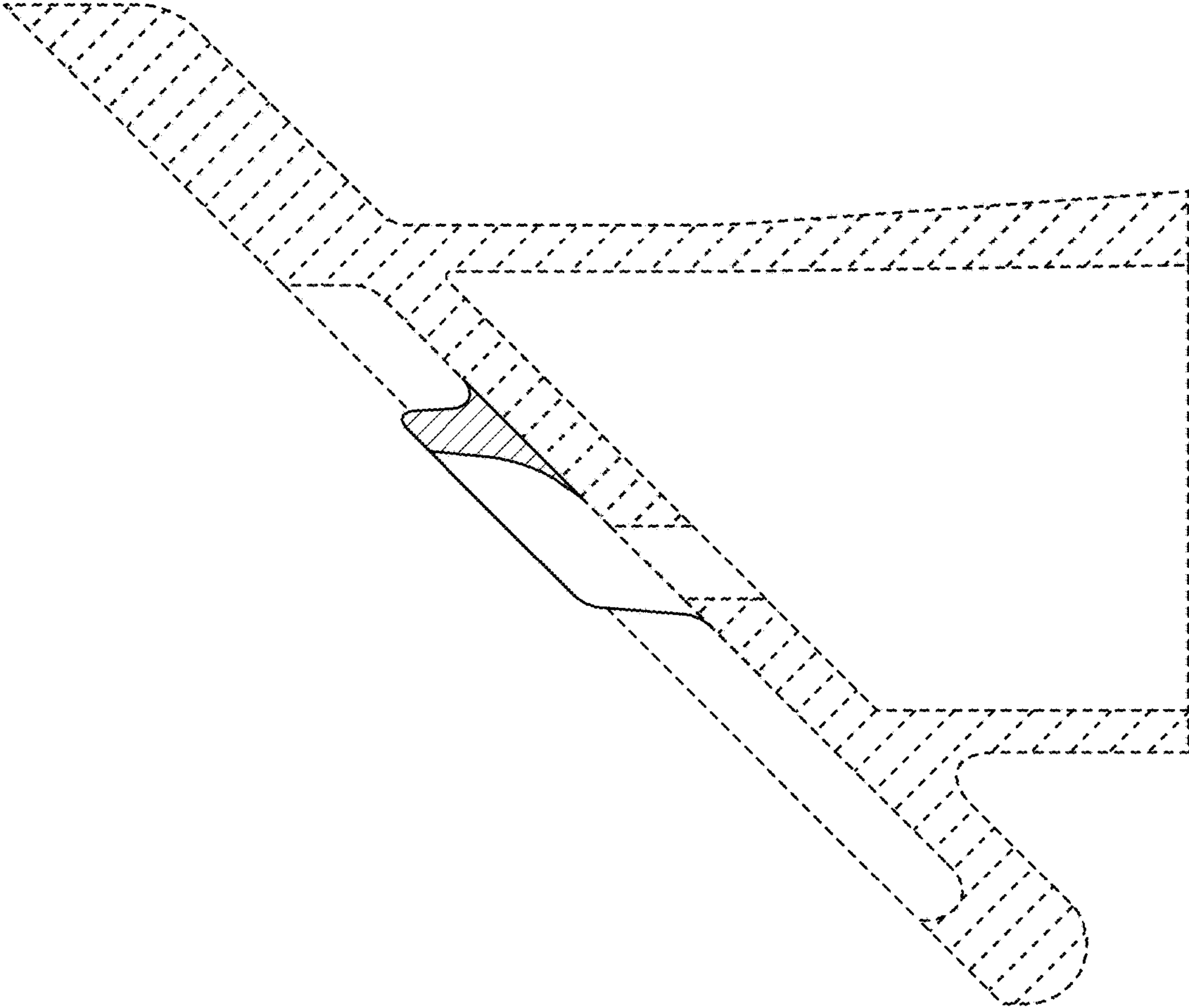


Fig.6

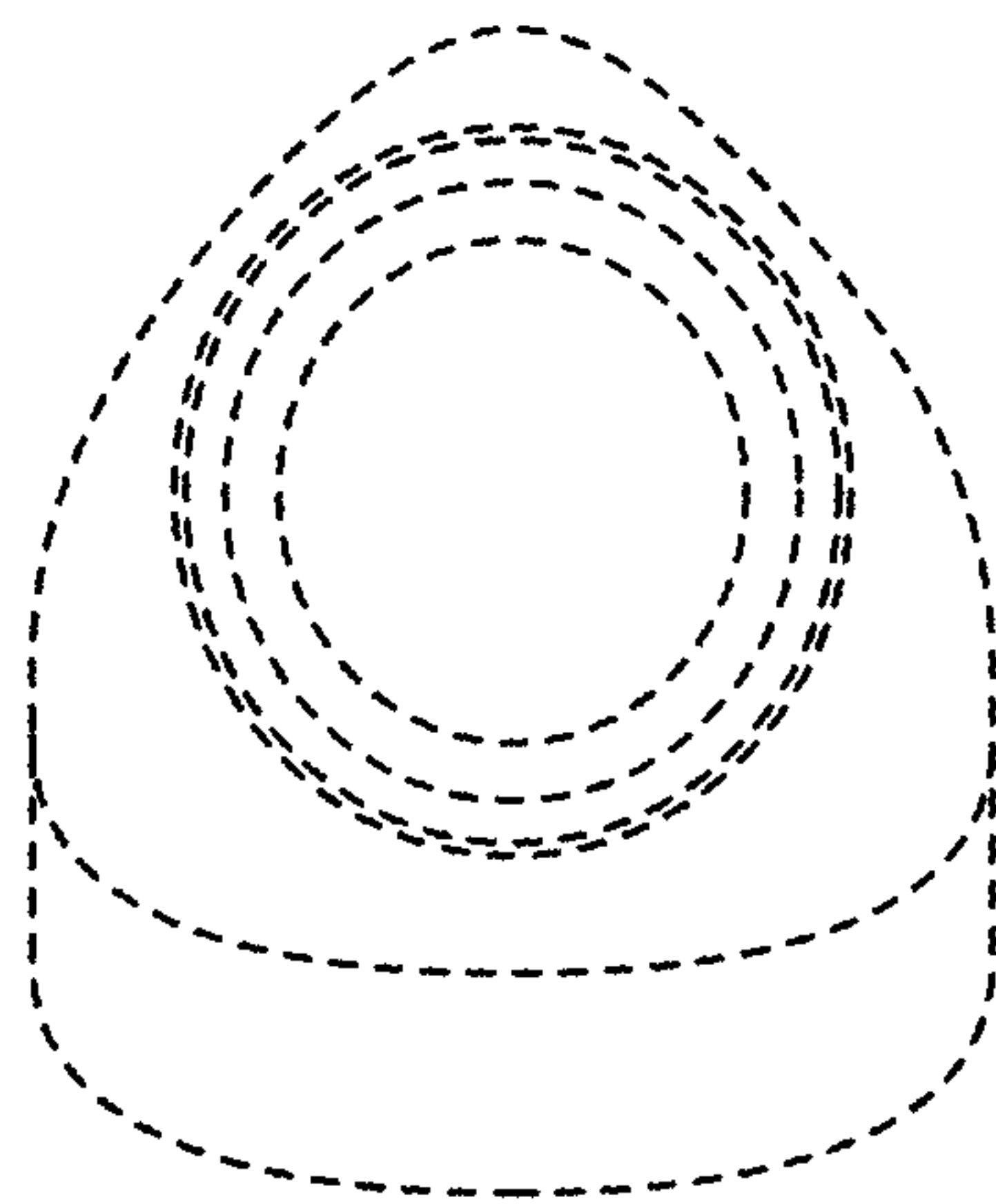


Fig.7

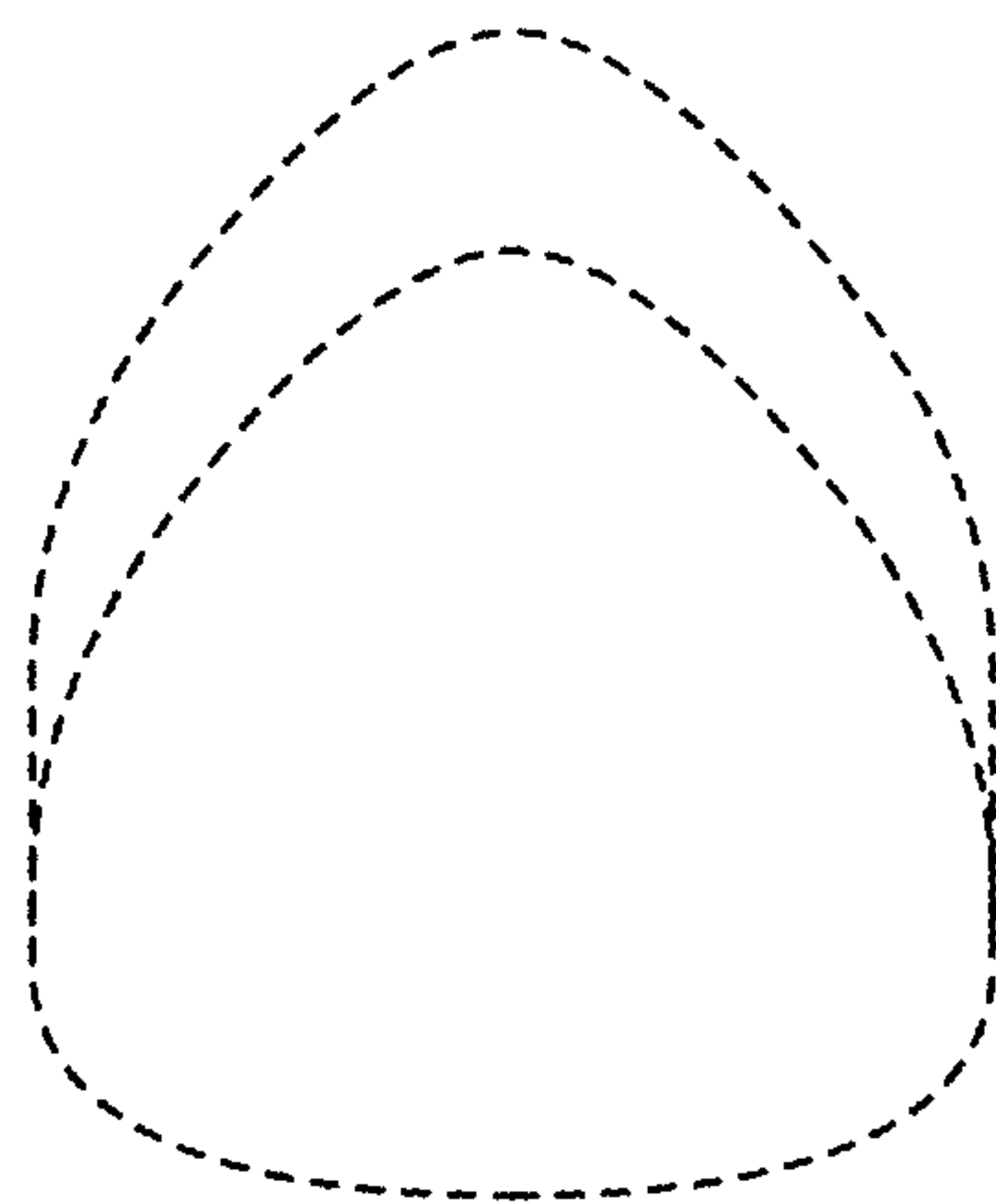


Fig.8