



US00D806236S

(12) **United States Design Patent** (10) **Patent No.:** **US D806,236 S**
Lin (45) **Date of Patent:** **** Dec. 26, 2017**

(54) **FLUID COLLECTION SYSTEM**

(71) Applicant: **Gary Lin**, Irvine, CA (US)

(72) Inventor: **Gary Lin**, Irvine, CA (US)

(**) Term: **15 Years**

(21) Appl. No.: **29/555,015**

(22) Filed: **Feb. 17, 2016**

(51) **LOC (10) Cl.** **24-02**

(52) **U.S. Cl.**
USPC **D24/118**

(58) **Field of Classification Search**
USPC D24/108, 117, 118, 127, 128; 600/573,
600/584; 604/19, 27, 48; 96/6; 95/46;
206/524.6

CPC A61J 2200/76; A61J 15/00; A61J 1/05;
A61J 1/1406; A61J 1/1475; A61J 1/201;
A61J 1/2024; A61J 1/2093; A61J 1/2096;
Y10S 1128/24; A61B 50/30

See application file for complete search history.

(56) **References Cited**

U.S. PATENT DOCUMENTS

D263,746 S *	4/1982	Johnson	D24/118
5,007,116 A	4/1991	Yamamoto		
D330,427 S *	10/1992	Meijer	D24/118
6,186,990 B1	2/2001	Chen et al.		
6,345,911 B1	2/2002	Young et al.		
6,668,388 B2 *	12/2003	Buttigieg	A61F 5/441 4/144.2
7,784,160 B2 *	8/2010	Dais	B65D 33/2508 24/585.12
7,857,515 B2 *	12/2010	Dais	B65D 33/25 24/585.12
7,874,731 B2 *	1/2011	Turvey	B65D 33/2508 383/103
7,967,509 B2 *	6/2011	Turvey	B65D 33/2508 383/100
9,011,003 B2 *	4/2015	Pawloski	B65D 33/2508 383/61.2

9,499,291 B2 *	11/2016	Verma	B65B 67/1255
9,499,307 B2 *	11/2016	Porchia	B65D 75/08
9,505,525 B2 *	11/2016	Dais	B65D 33/02
9,539,158 B2 *	1/2017	Cassidy	A61G 9/006
9,540,145 B2 *	1/2017	Porchia	B65D 75/008
2002/0103467 A1 *	8/2002	Kubalak	A61M 25/0017 604/327

* cited by examiner

Primary Examiner — Garth Rademaker

Assistant Examiner — Samantha Q Lawrence

(74) *Attorney, Agent, or Firm* — Shimokaji IP

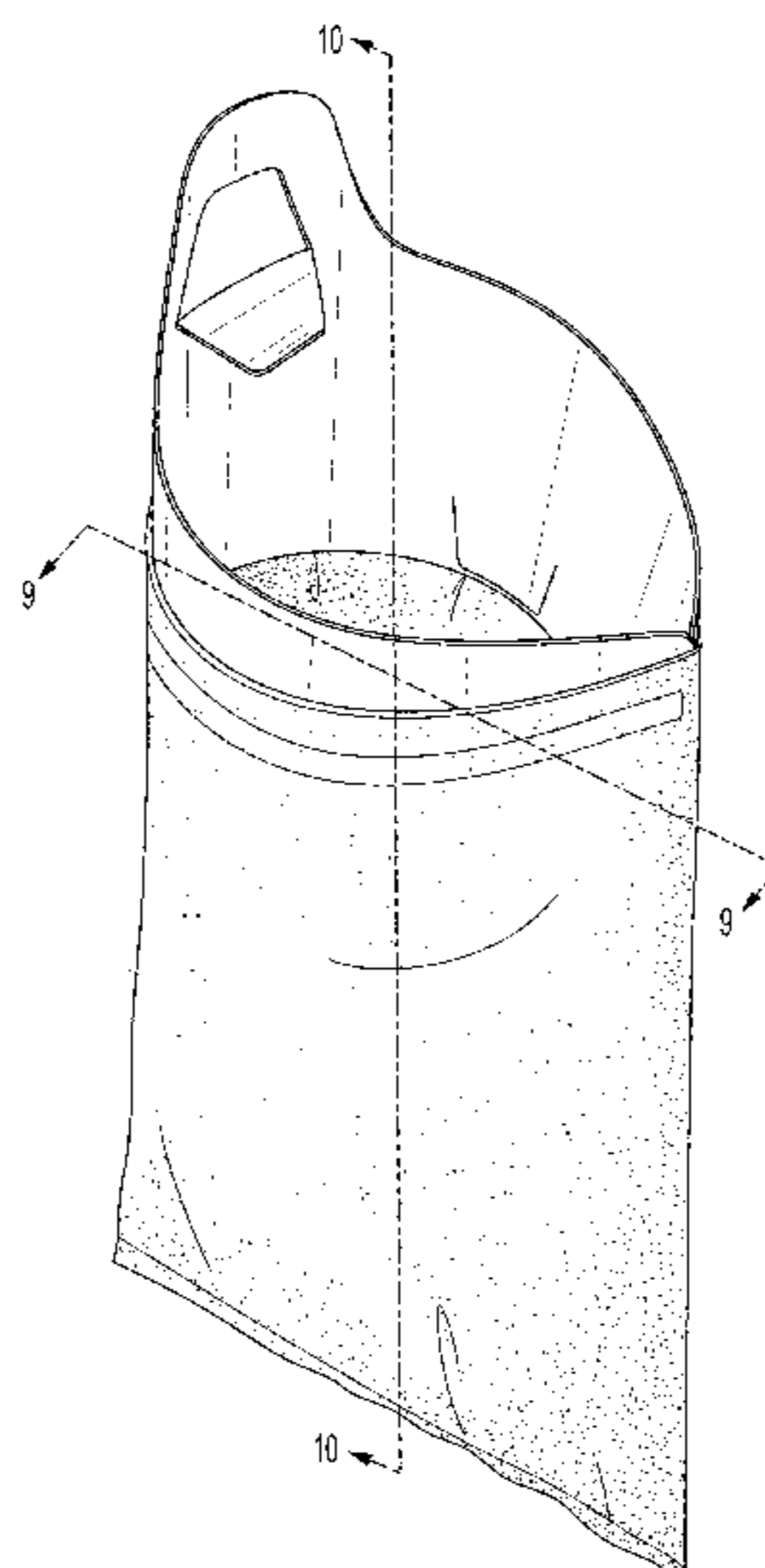
(57) **CLAIM**

The ornamental design for a fluid collection system, as shown and described.

DESCRIPTION

FIG. 1 is a perspective view of a fluid collection system showing my new design in a first position;
 FIG. 2 is a perspective view of the fluid collection system in a second position;
 FIG. 3 is a perspective view of the top piece of the fluid collection system in the second position;
 FIG. 4 is a left side elevational view of the fluid collection system in the second position;
 FIG. 5 is a rear, elevational view of the fluid collection system in the first position;
 FIG. 6 is a front, elevational view of the fluid collection system in the first position;
 FIG. 7 is a top view of the of the fluid collection system in the first position;
 FIG. 8 is a bottom view of the fluid collection system in the first position;
 FIG. 9 is a view of the fluid collection system in the first position taken along line 9-9 of FIG. 1; and,
 FIG. 10 is view of the fluid collection system in the first position taken along line 10-10 of FIG. 1.

1 Claim, 9 Drawing Sheets



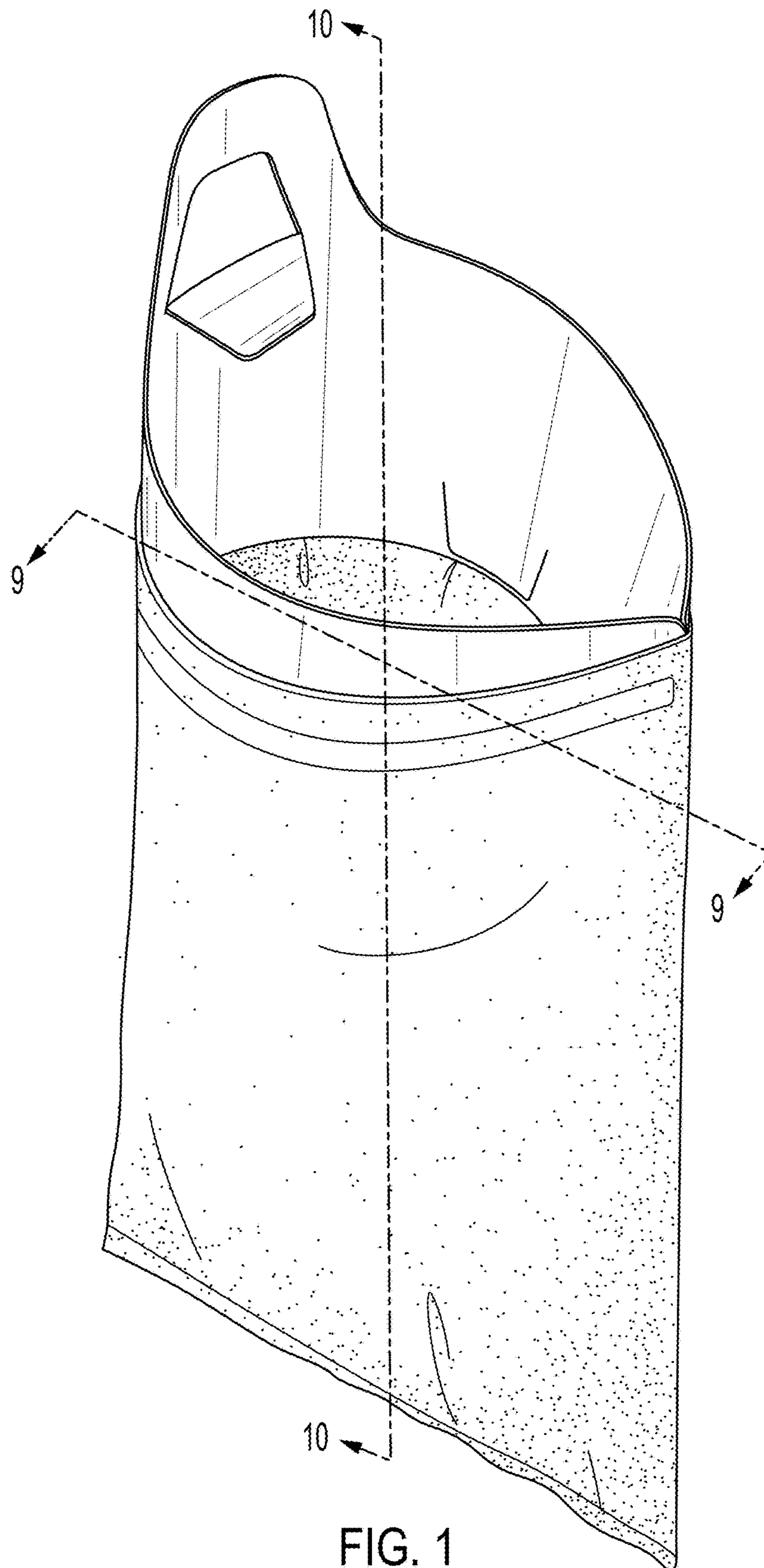


FIG. 1

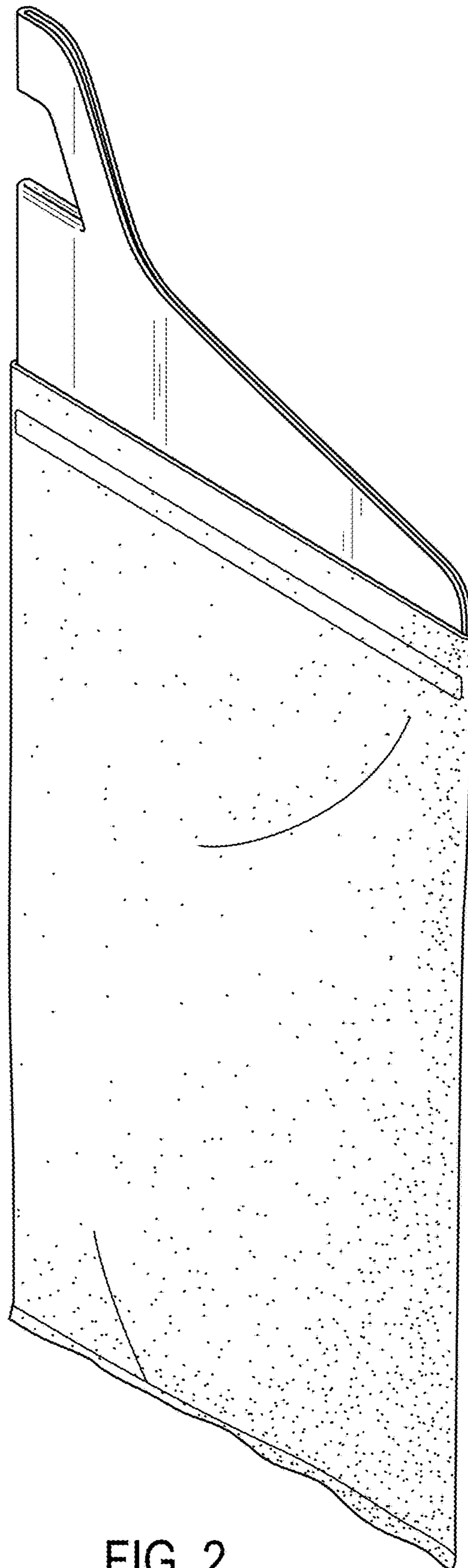


FIG. 2

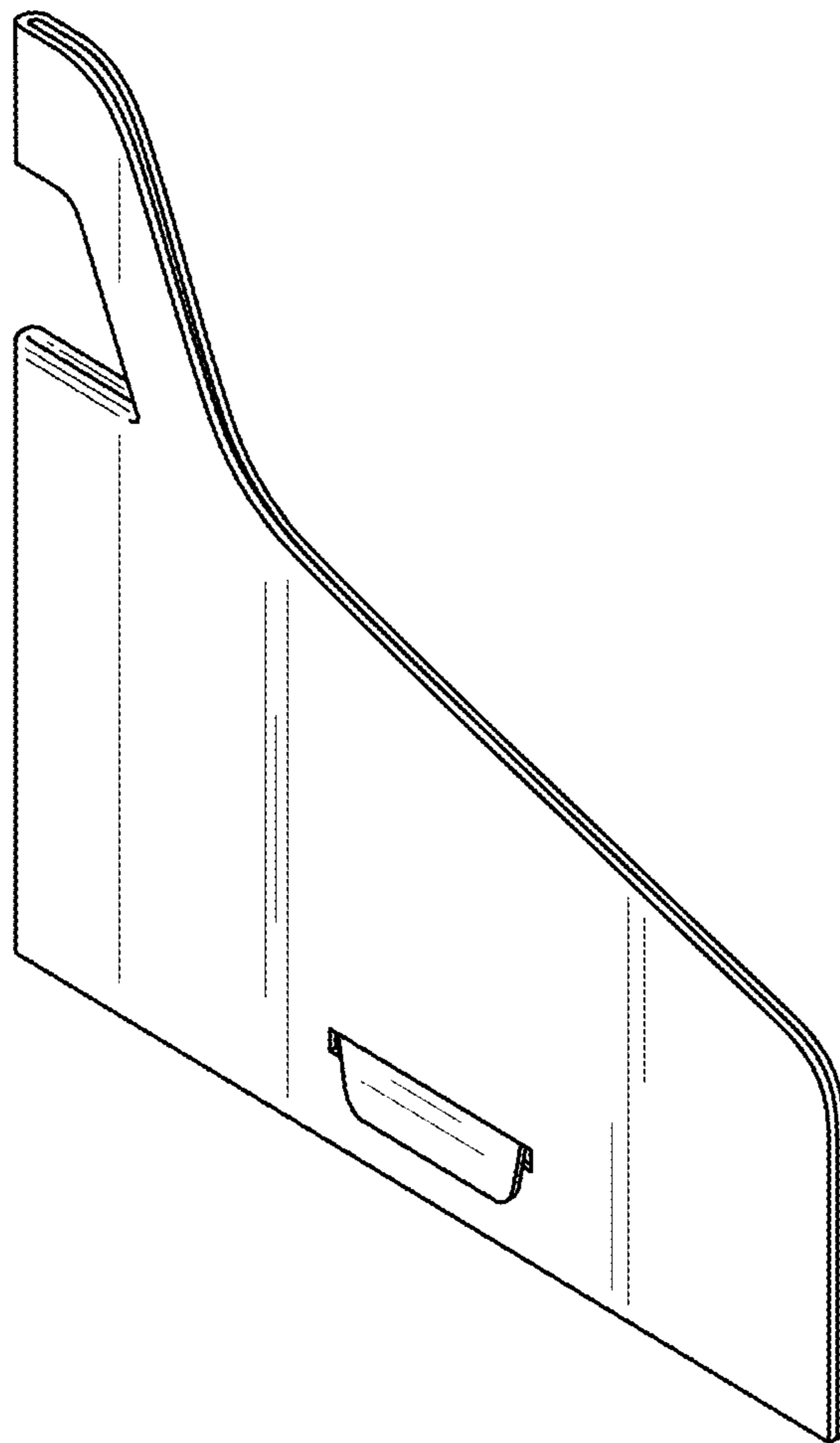


FIG. 3

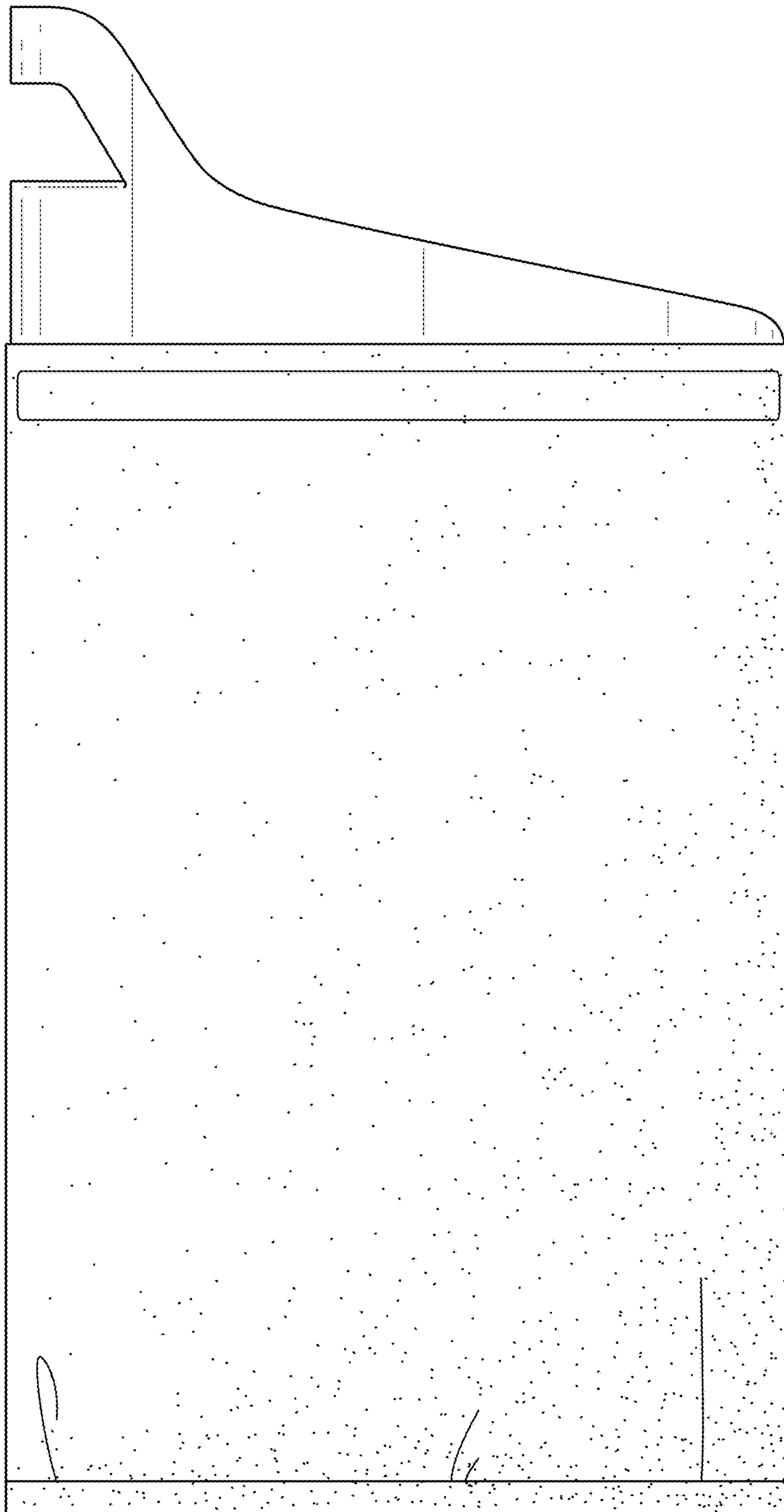


FIG. 4

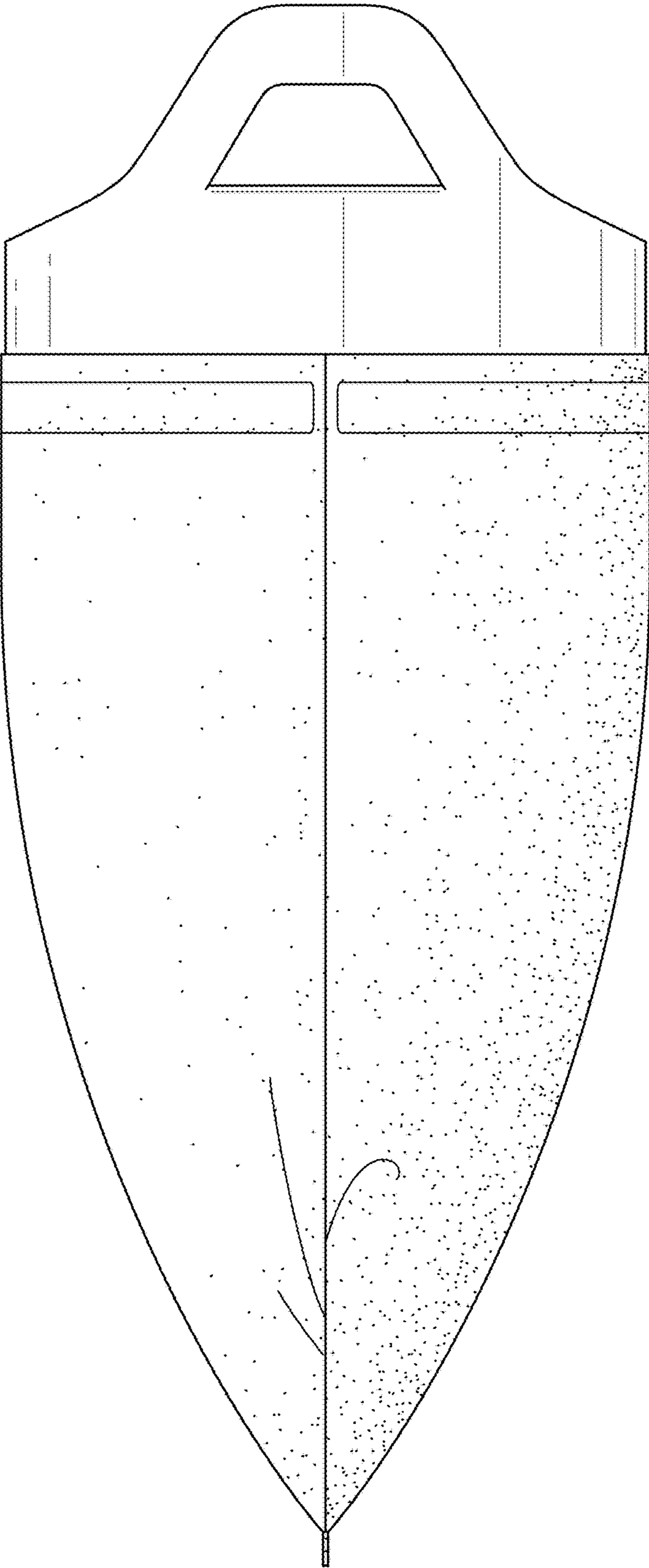


FIG. 5

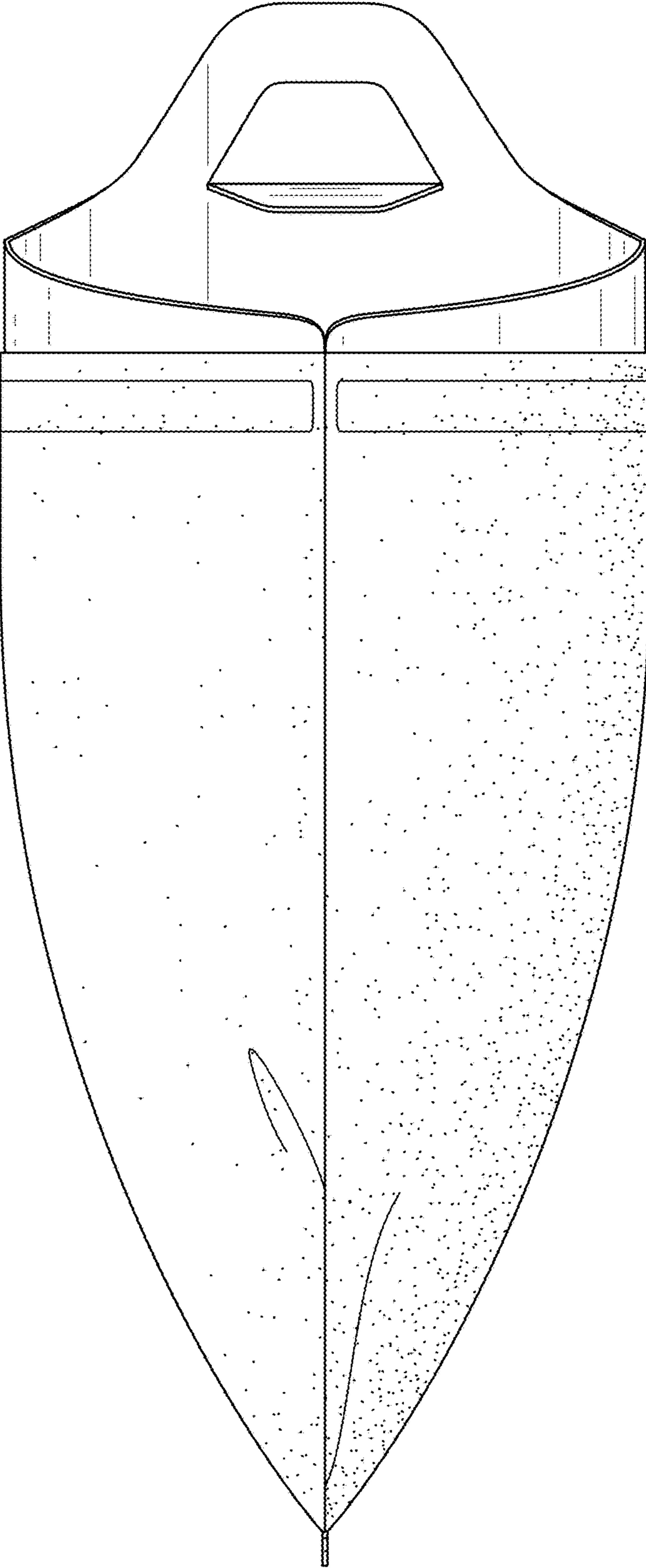


FIG. 6

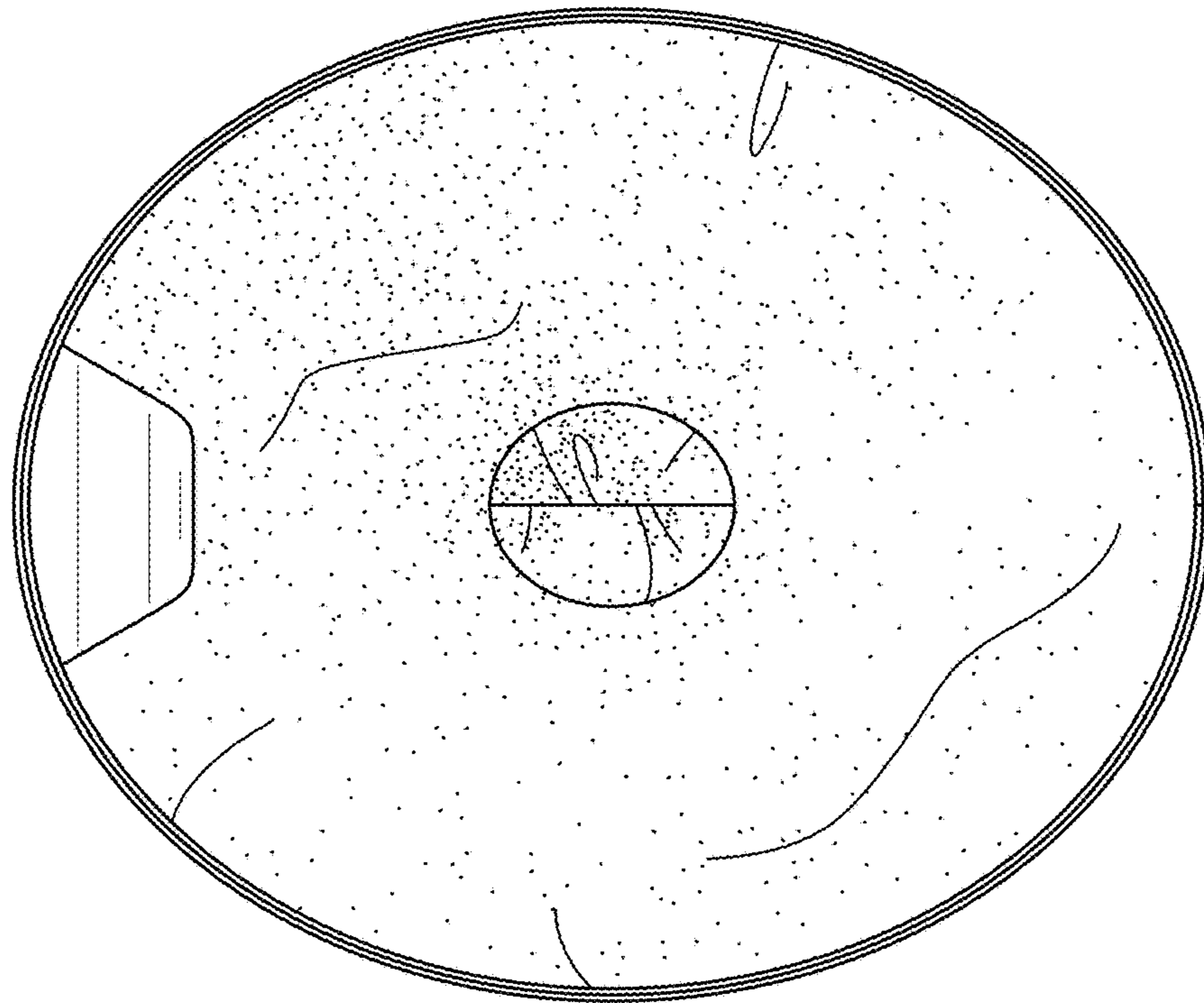


FIG. 7

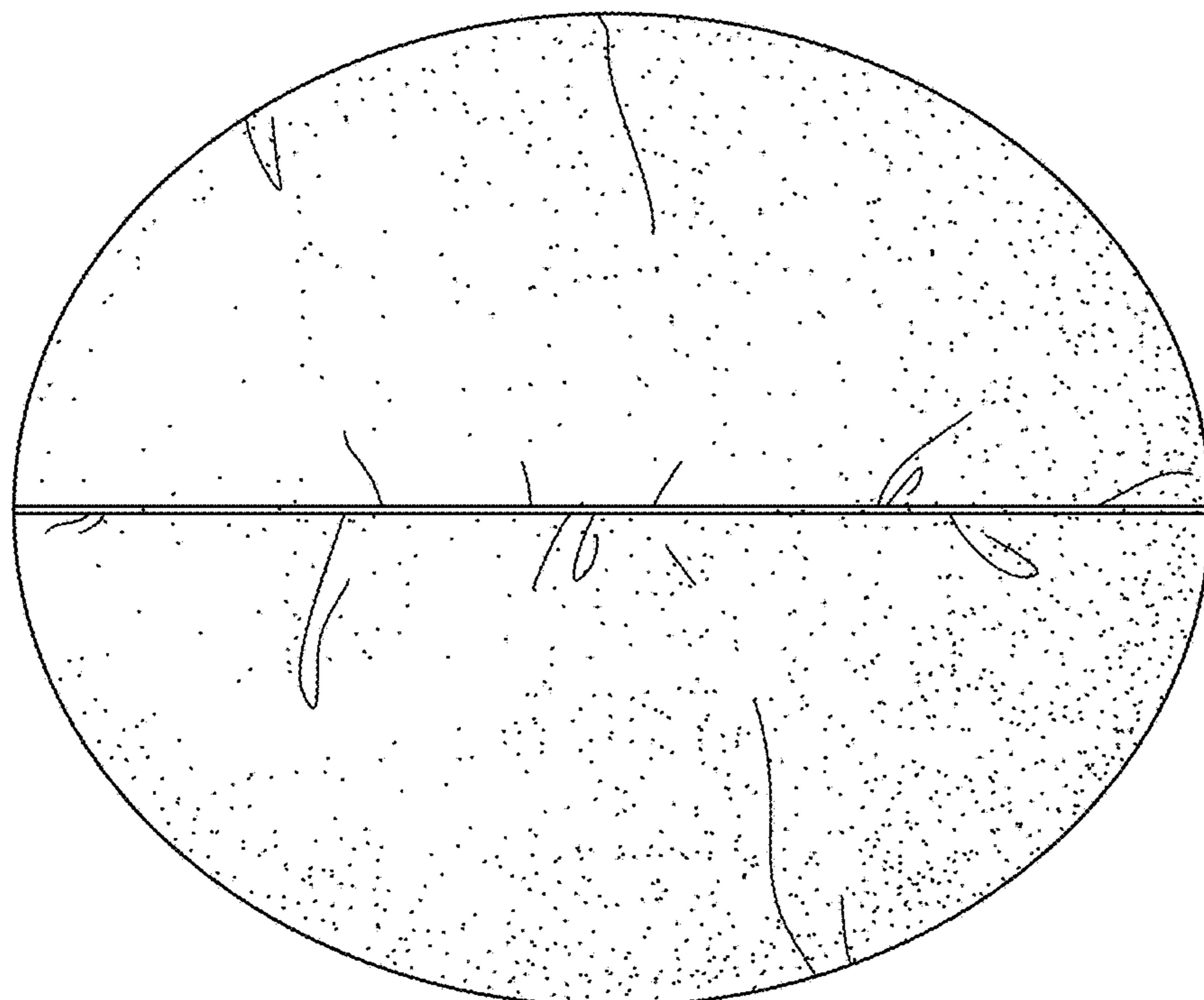


FIG. 8

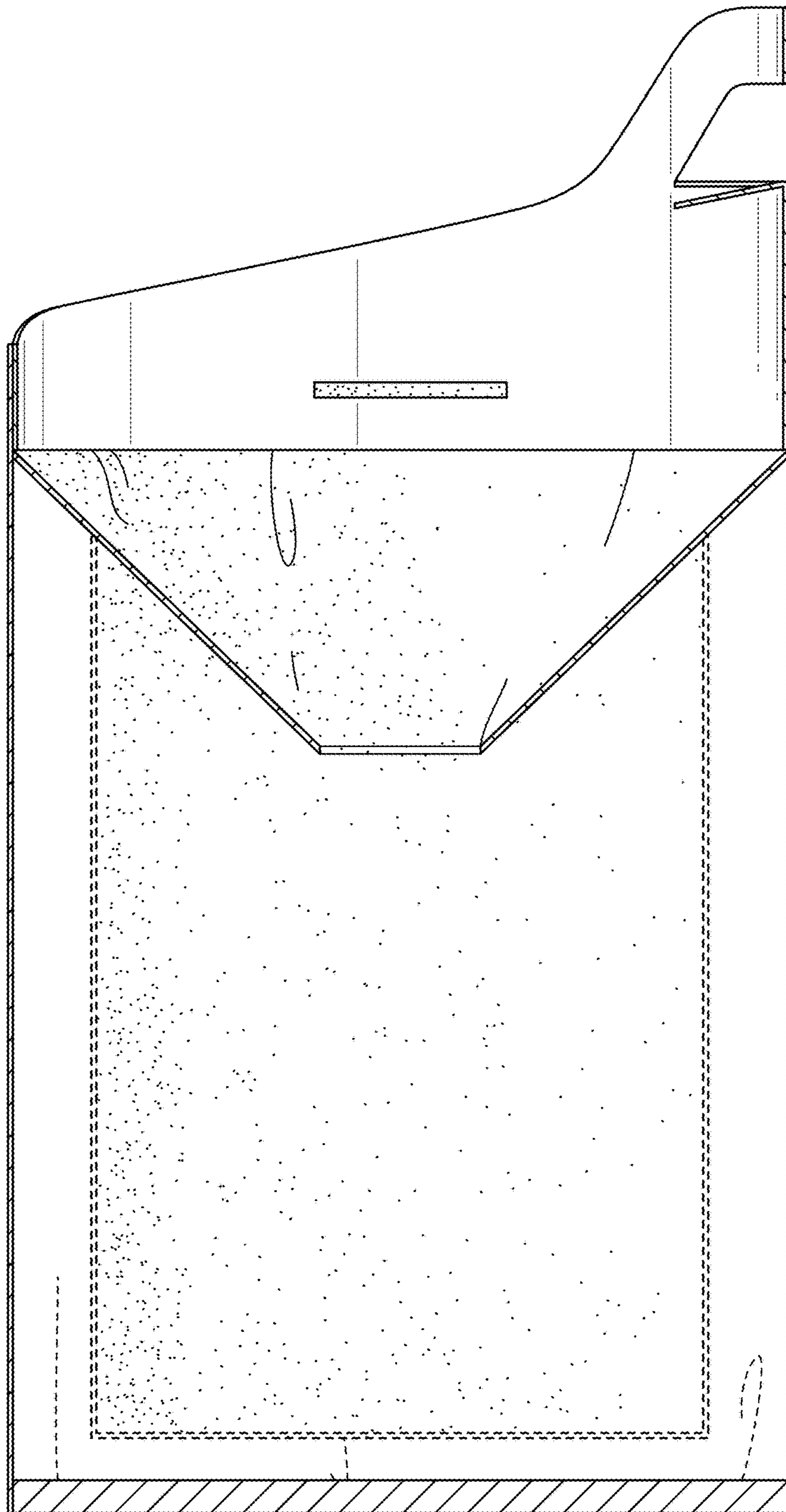


FIG. 9

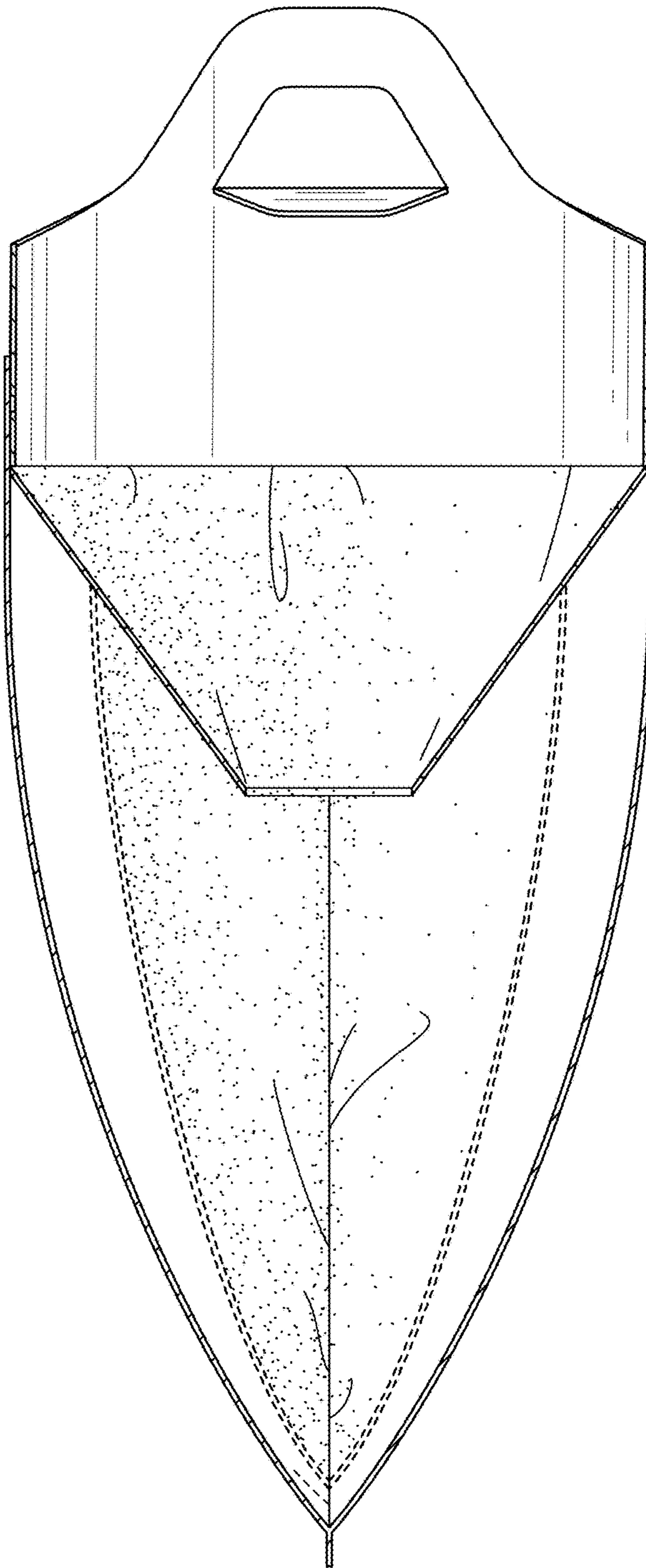


FIG. 10