

US00D806233S

(12) **United States Design Patent** (10) **Patent No.:** **US D806,233 S**
Wolper et al. (45) **Date of Patent:** **** Dec. 26, 2017**

(54) **POWERHEAD FOR A POWER INJECTION SYSTEM**

OTHER PUBLICATIONS

(71) Applicant: **LIEBEL-FLARSHEIM COMPANY LLC**, Cincinnati, OH (US)

“Contrast Delivery Power Injectors”, <http://www.umacglobal.com/contrast-delivery-power-injectors>, retrieved from the internet Jun. 14, 2016, pp. 1-10.

(Continued)

(72) Inventors: **Daniel J. Wolper**, Cincinnati, OH (US); **Bendenetto Christopher Ruggiero**, Milford, OH (US)

Primary Examiner — David G Muller
(74) *Attorney, Agent, or Firm* — Marsh Fischmann & Breyfogle LLP

(73) Assignee: **LIEBEL-FLARSHEIM COMPANY LLC**, Cincinnati, OH (US)

(57) **CLAIM**
The ornamental design for a powerhead for a power injection system, as shown and described.

(**) Term: **15 Years**

DESCRIPTION

(21) Appl. No.: **29/577,179**

(22) Filed: **Sep. 9, 2016**

(51) **LOC (10) Cl.** **24-02**

(52) **U.S. Cl.**
USPC **D24/112**

(58) **Field of Classification Search**
USPC D24/112–114, 108, 133, 130, 127, 186;
606/181, 185; 604/264, 272, 187, 181,
604/184, 227
CPC A61M 5/178; A61M 3/00; A61M 5/20;
A61M 5/31; A61M 5/3146; A61M
5/3129; A61M 5/3148; A61M 5/315
See application file for complete search history.

FIG. 1 is a perspective view of a top of a powerhead for a power injection system, viewed from a left side thereof, and that embodies our new design;
FIG. 2 is another perspective view of the top of the powerhead shown in FIG. 1, but viewed from a right side thereof;
FIG. 3 is a perspective view of a bottom of the powerhead shown in FIG. 1, and viewed from the left side thereof;
FIG. 4 is a perspective view showing a rear end, the bottom, and the left side of the powerhead shown in FIG. 1;
FIG. 5 is a plan view of the top of the powerhead shown in FIG. 1;
FIG. 6 is a plan view of the bottom of the powerhead shown in FIG. 1;
FIG. 7 is a plan view of the left side of the powerhead shown in FIG. 1;
FIG. 8 is a plan view of the right side of the powerhead shown in FIG. 1;
FIG. 9 is a plan view of the rear end of the powerhead shown in FIG. 1; and,
FIG. 10 is a plan view of a front end of the powerhead shown in FIG. 1.
The broken lines in one or more of these figures show unclaimed structure only and form no part of the claimed design.

(56) **References Cited**

U.S. PATENT DOCUMENTS

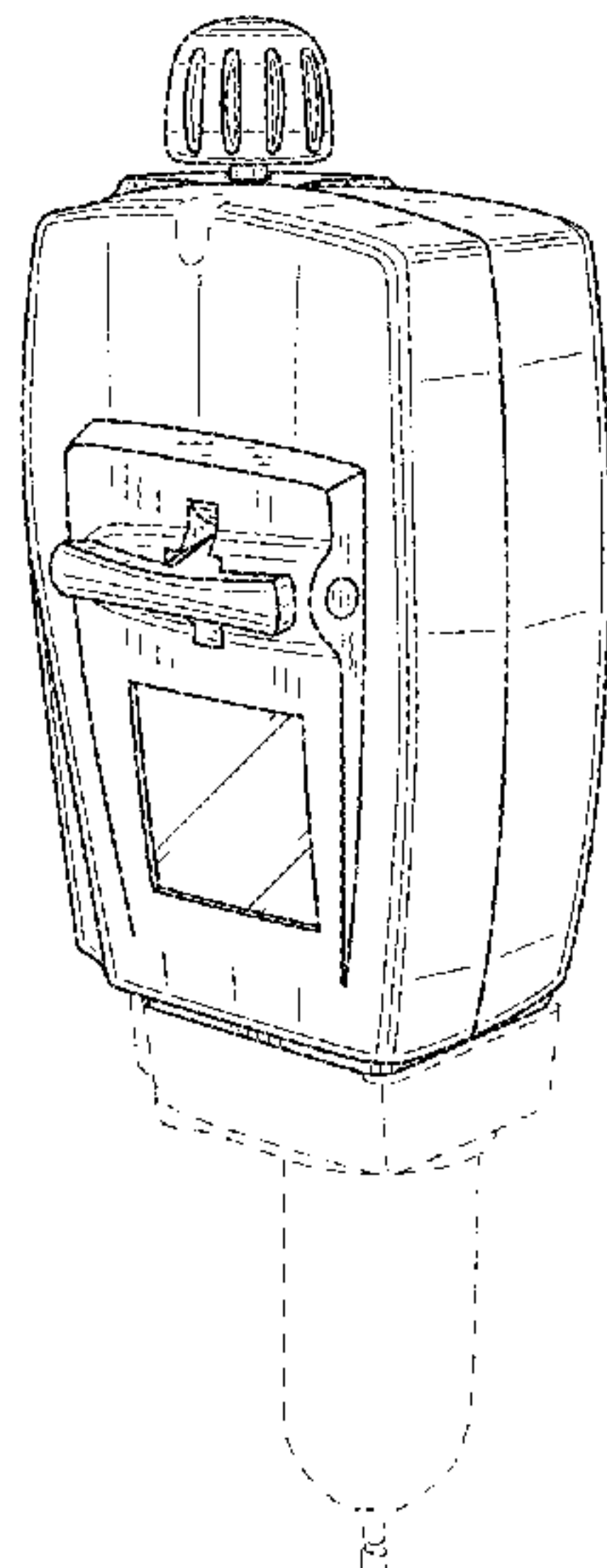
D391,638 S 3/1998 Coons et al.
D392,388 S 3/1998 Coons et al.

(Continued)

FOREIGN PATENT DOCUMENTS

CN 303566585 S 1/2016

1 Claim, 9 Drawing Sheets



(56)

References Cited

U.S. PATENT DOCUMENTS

5,868,710 A 2/1999 Battiato et al.
 D426,891 S 6/2000 Beale et al.
 6,716,195 B2 4/2004 Nolan, Jr. et al.
 7,507,221 B2 3/2009 Neer
 7,621,892 B2 11/2009 Fago et al.
 D637,287 S * 5/2011 Mudd D24/133
 D650,070 S * 12/2011 Mori D24/113
 8,105,279 B2 * 1/2012 Mernoe A61M 5/14244
 417/46
 8,118,780 B2 2/2012 Fago et al.
 8,353,879 B2 1/2013 Goethel et al.
 8,377,003 B2 2/2013 Wagner
 D684,686 S * 6/2013 Cronenberg D24/108
 D687,141 S * 7/2013 Schneider D24/108
 8,496,621 B2 7/2013 Basso et al.
 D695,395 S * 12/2013 Tani D24/113
 D732,411 S * 6/2015 Waaler D10/81
 D756,817 S * 5/2016 Fries D10/78

D765,257 S * 8/2016 Marzynski D24/186
 D765,830 S * 9/2016 Bjelovuk D24/108
 D770,034 S * 10/2016 McNall, III D24/108
 D771,244 S * 11/2016 Takemoto D24/113
 D776,253 S * 1/2017 Li D24/108
 2005/0148867 A1 7/2005 Neer
 2009/0069747 A1 3/2009 Neer et al.
 2010/0198060 A1 8/2010 Fago et al.
 2012/0306881 A1 12/2012 Nemoto

OTHER PUBLICATIONS

Nemoto, "Contrast Injector for Angiography", <http://www.nemoto-do.com/products/angiography/presspro/>, retrieved from the Internet Jun. 14, 2016, 1 page.
 Covidien, "Contrast under Control-Injectors for Diagnostic Imaging", <http://www.tatraalpine.sk/injektory.pdf>, retrieved from the Internet Jun. 14, 2016, pp. 1-8.

* cited by examiner

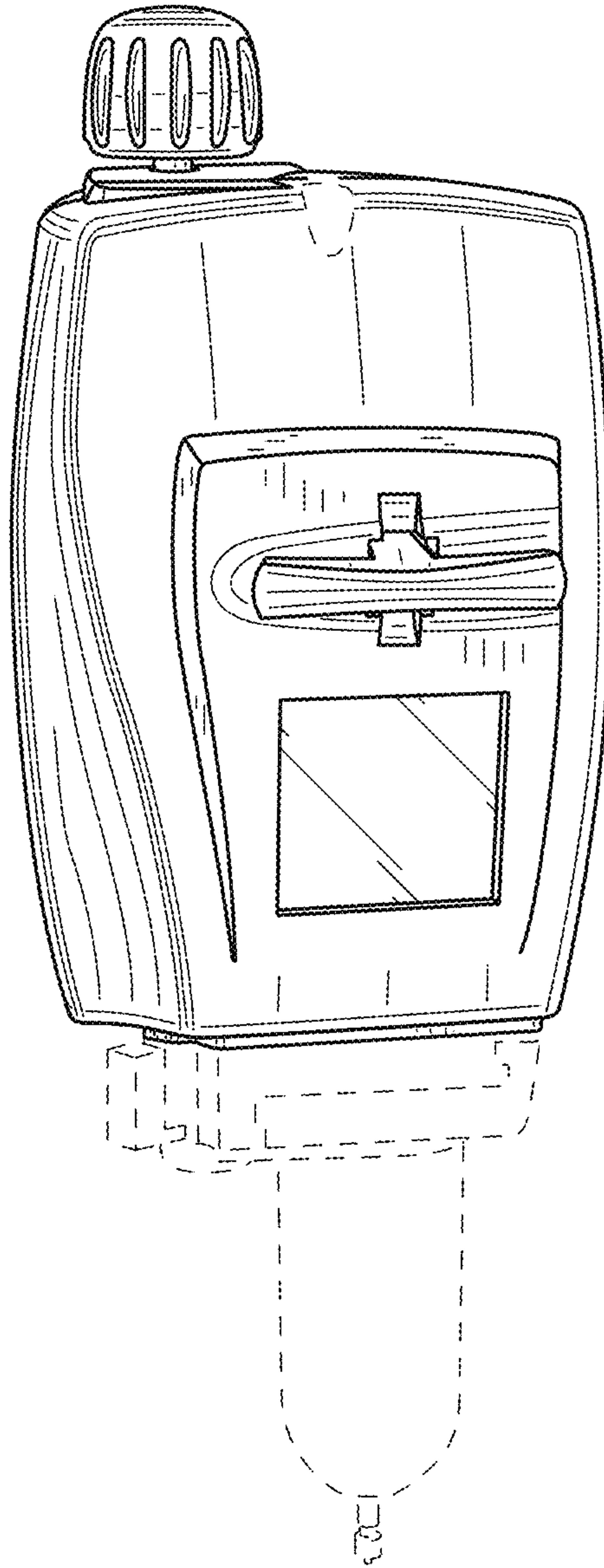


FIG. 1

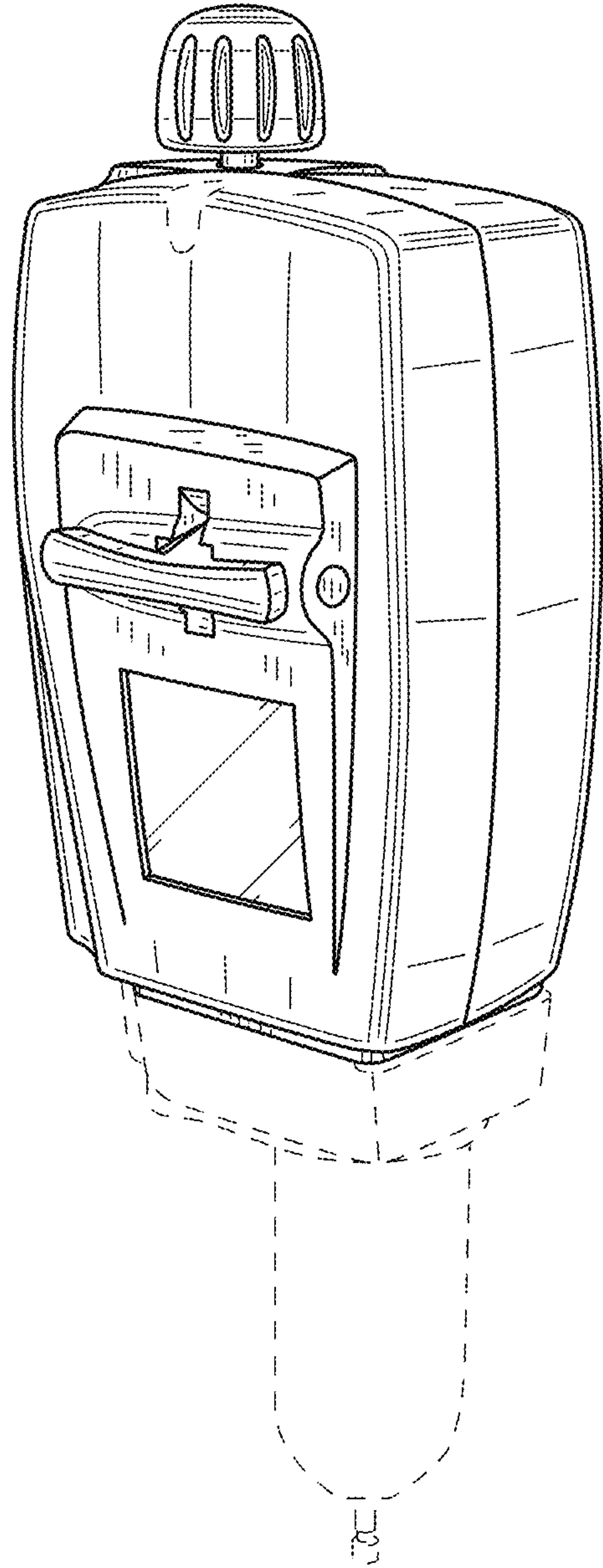


FIG.2

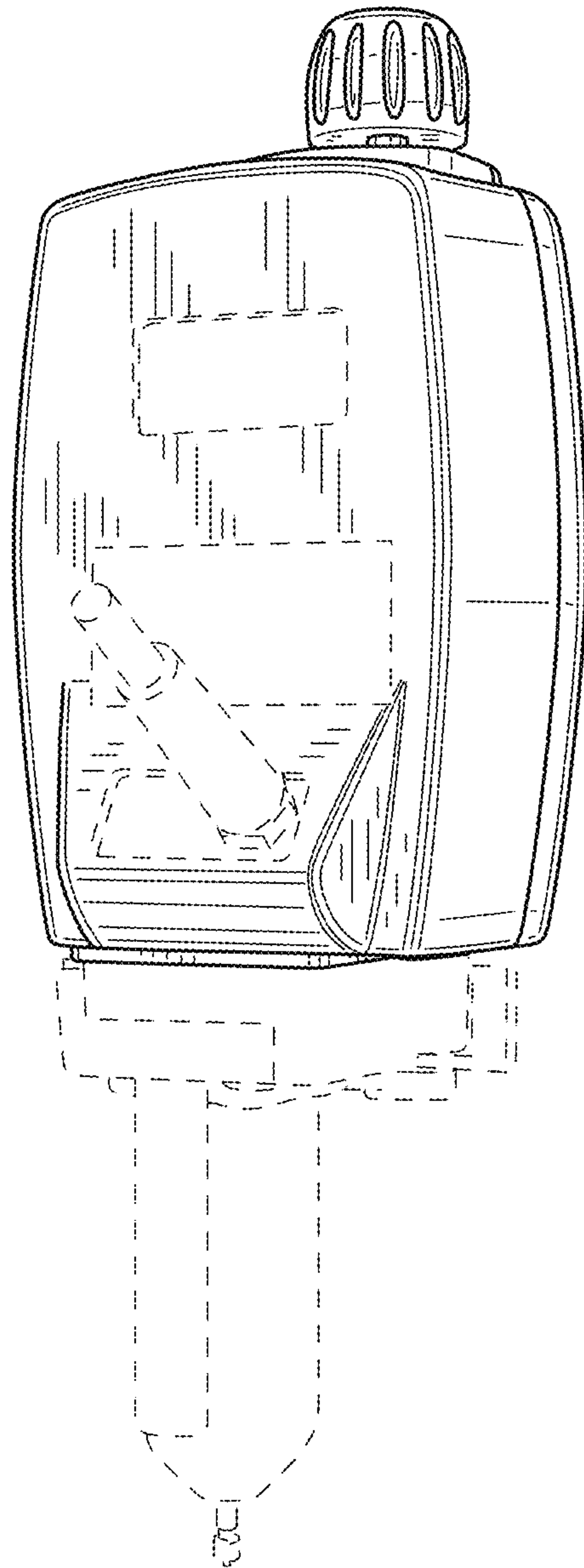


FIG.3

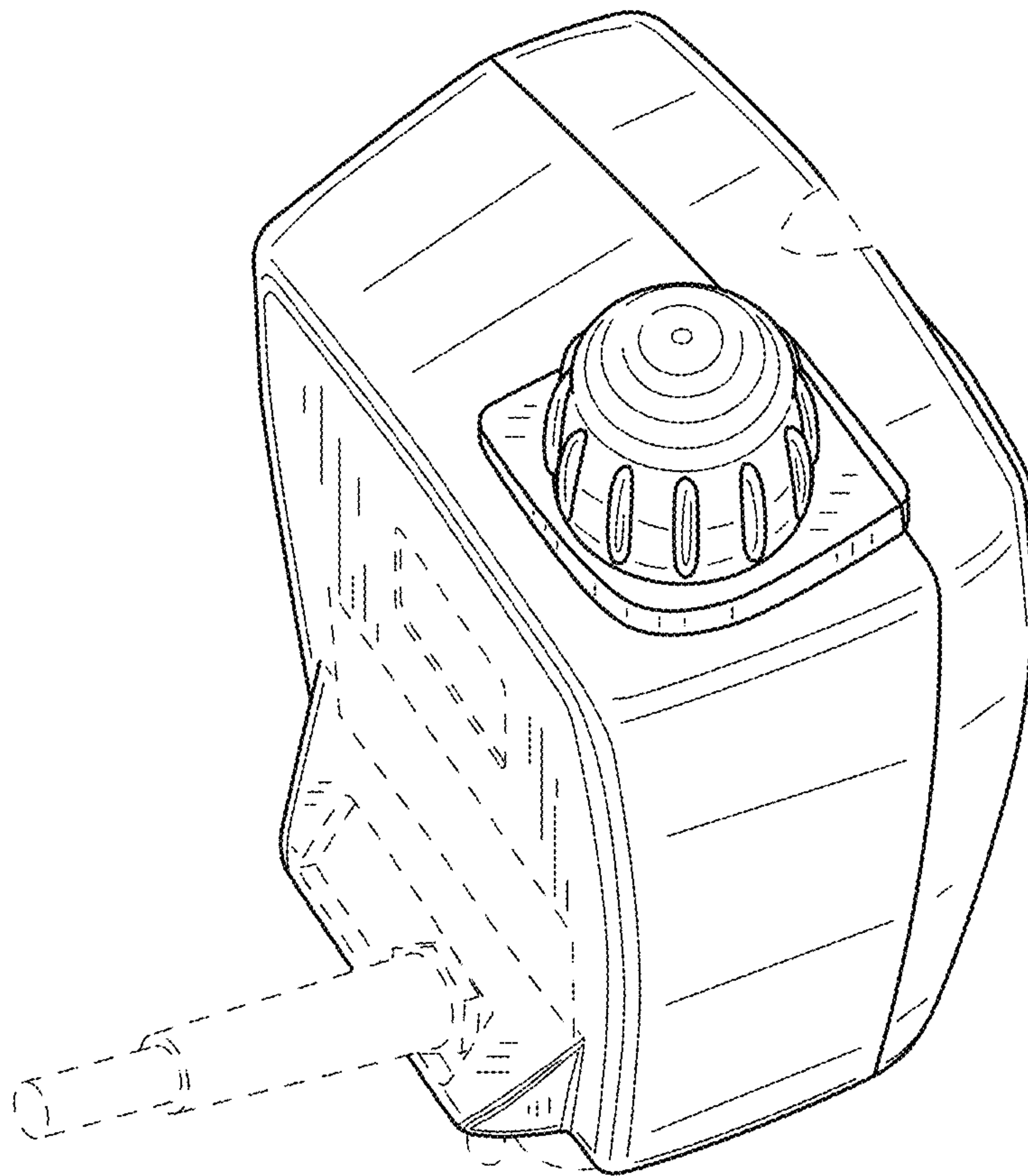


FIG.4

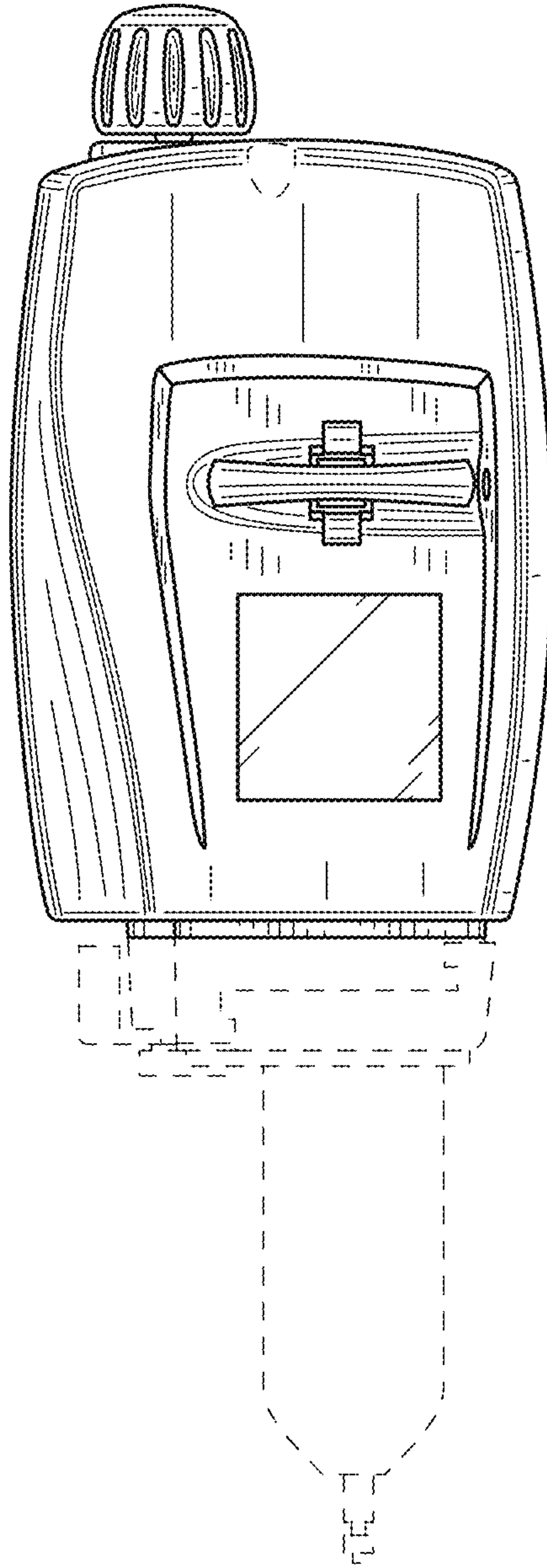


FIG.5

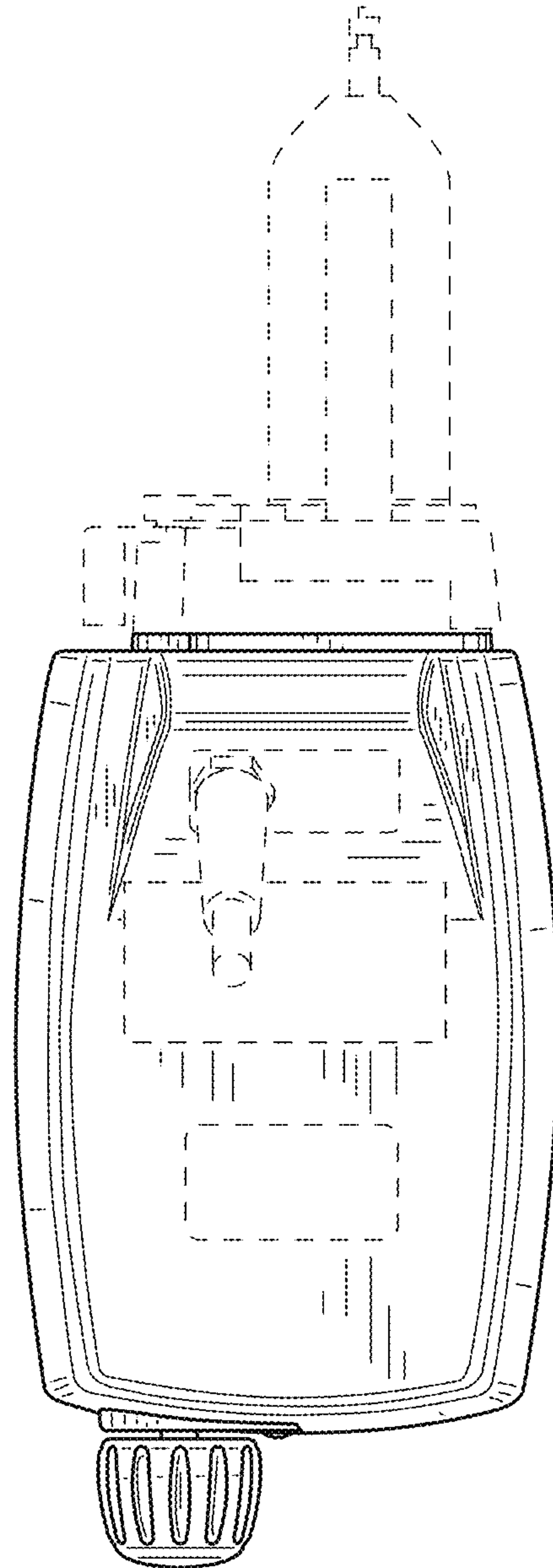


FIG.6

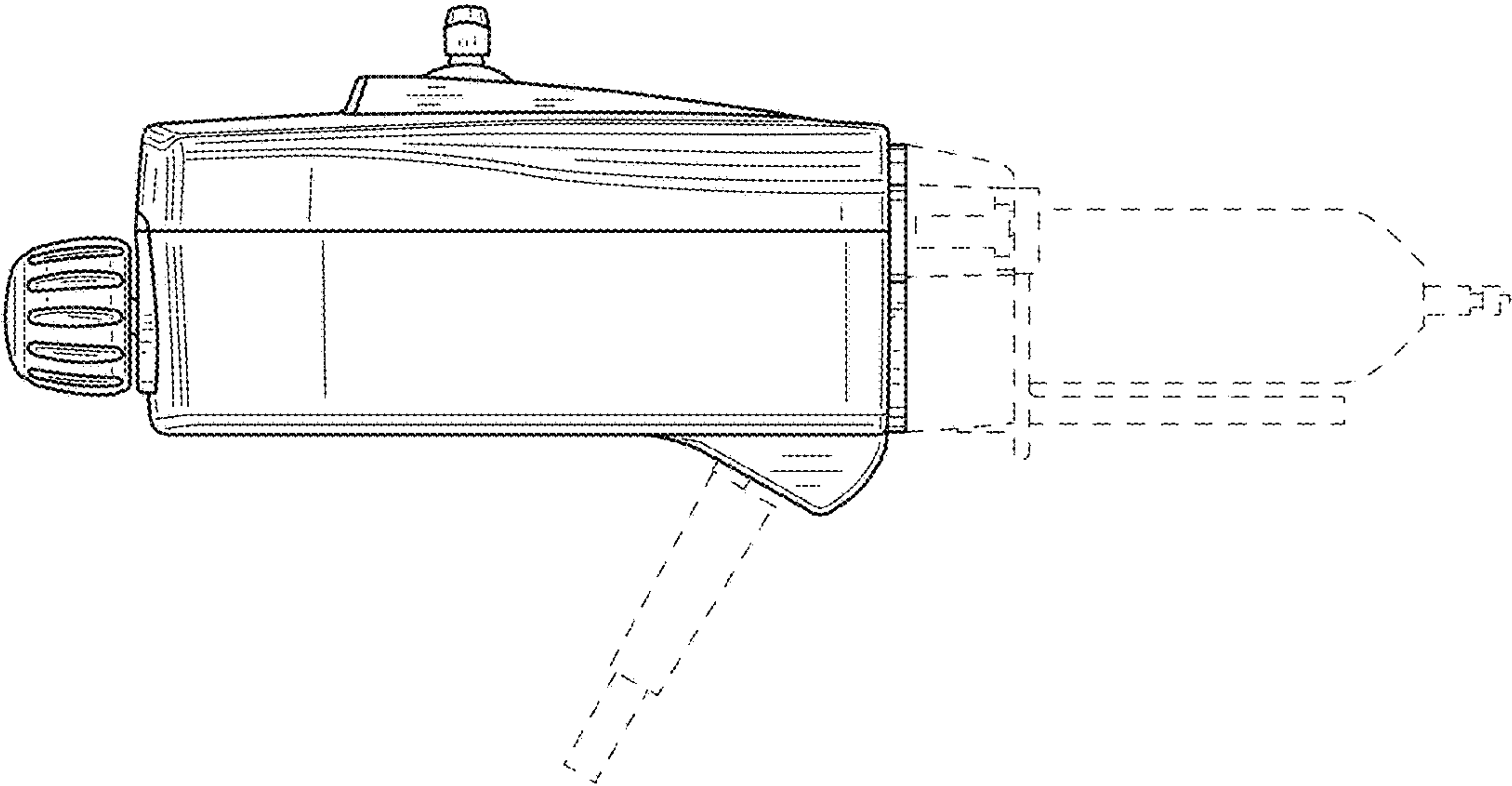


FIG.7

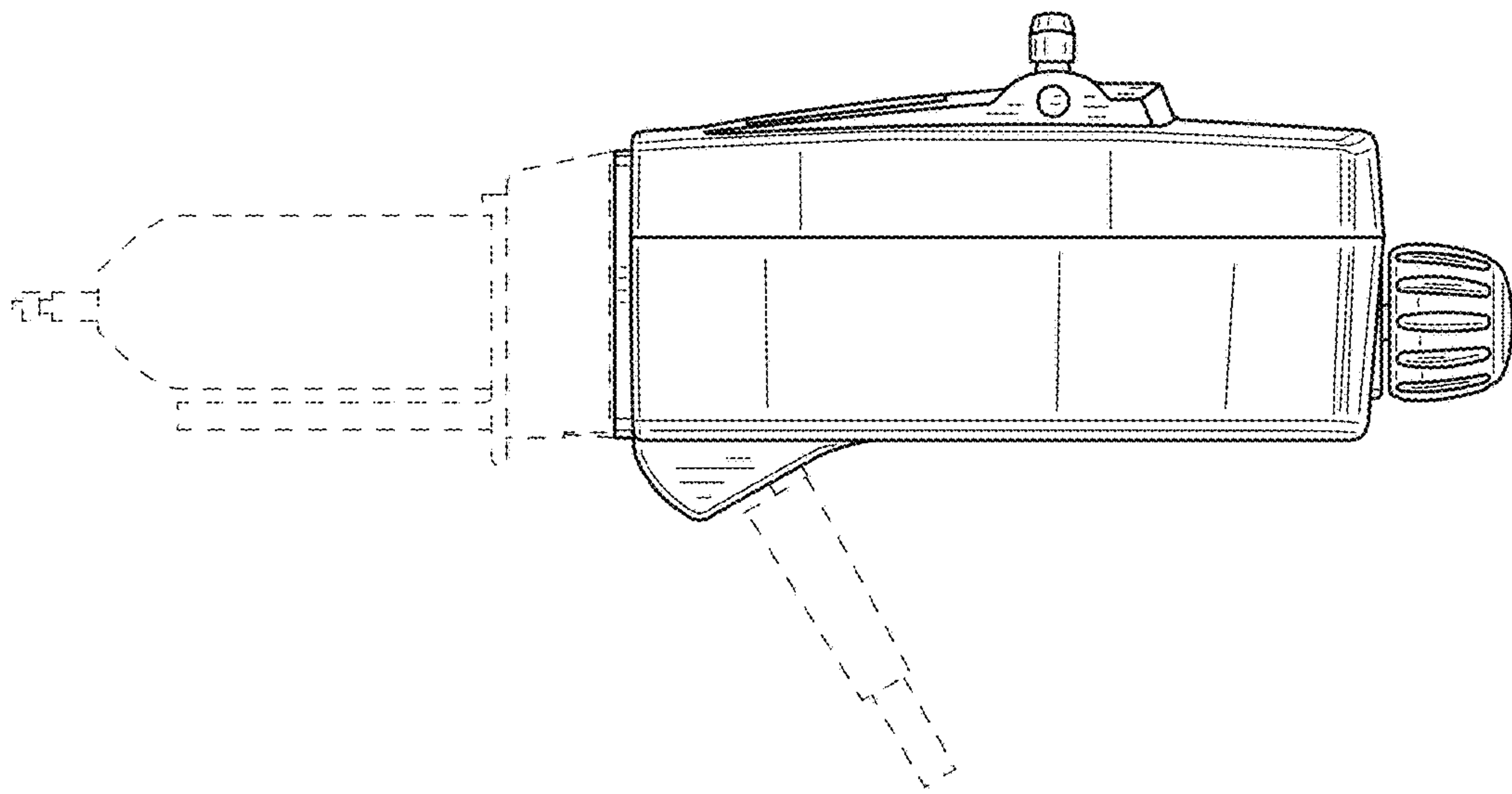


FIG.8

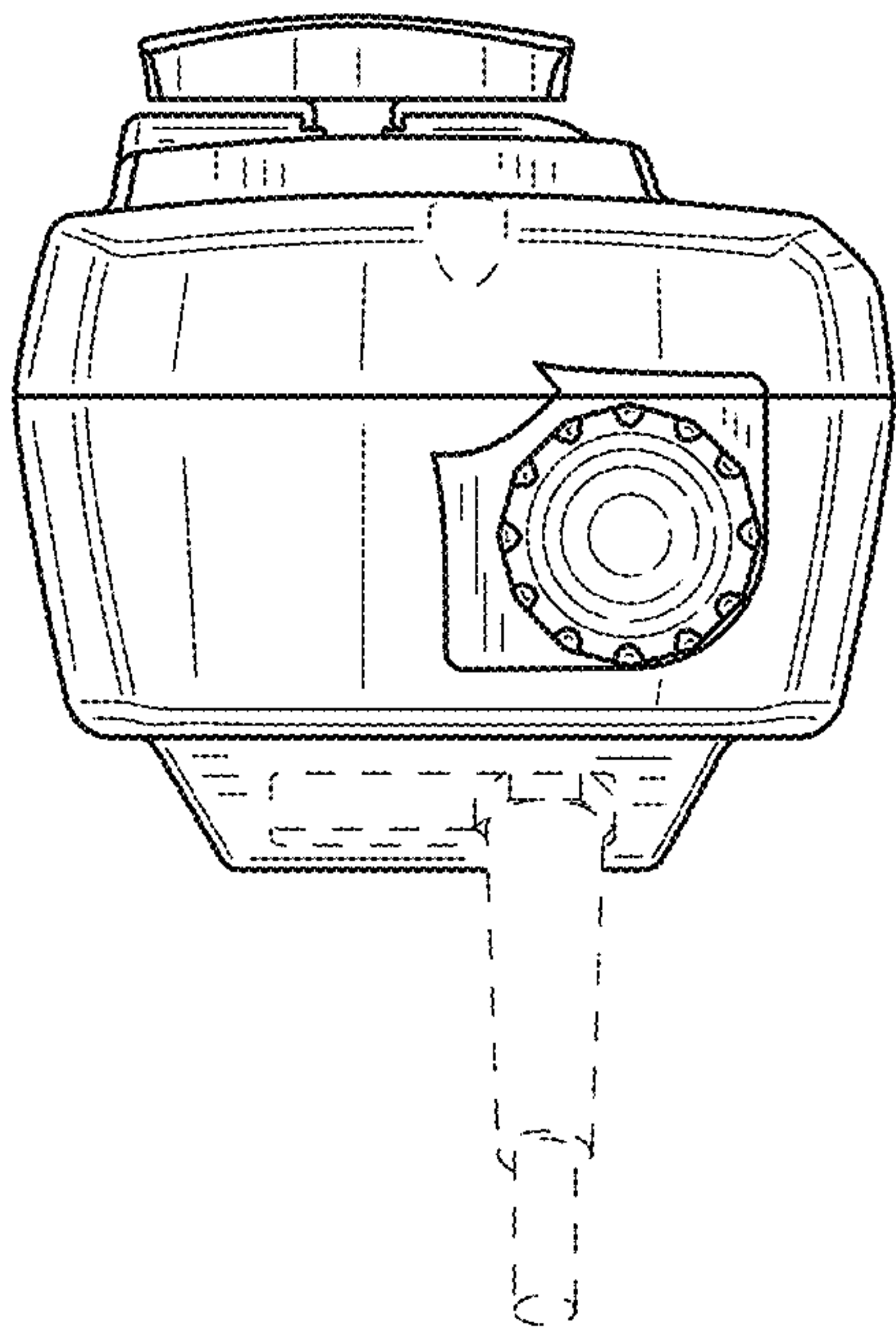


FIG.9

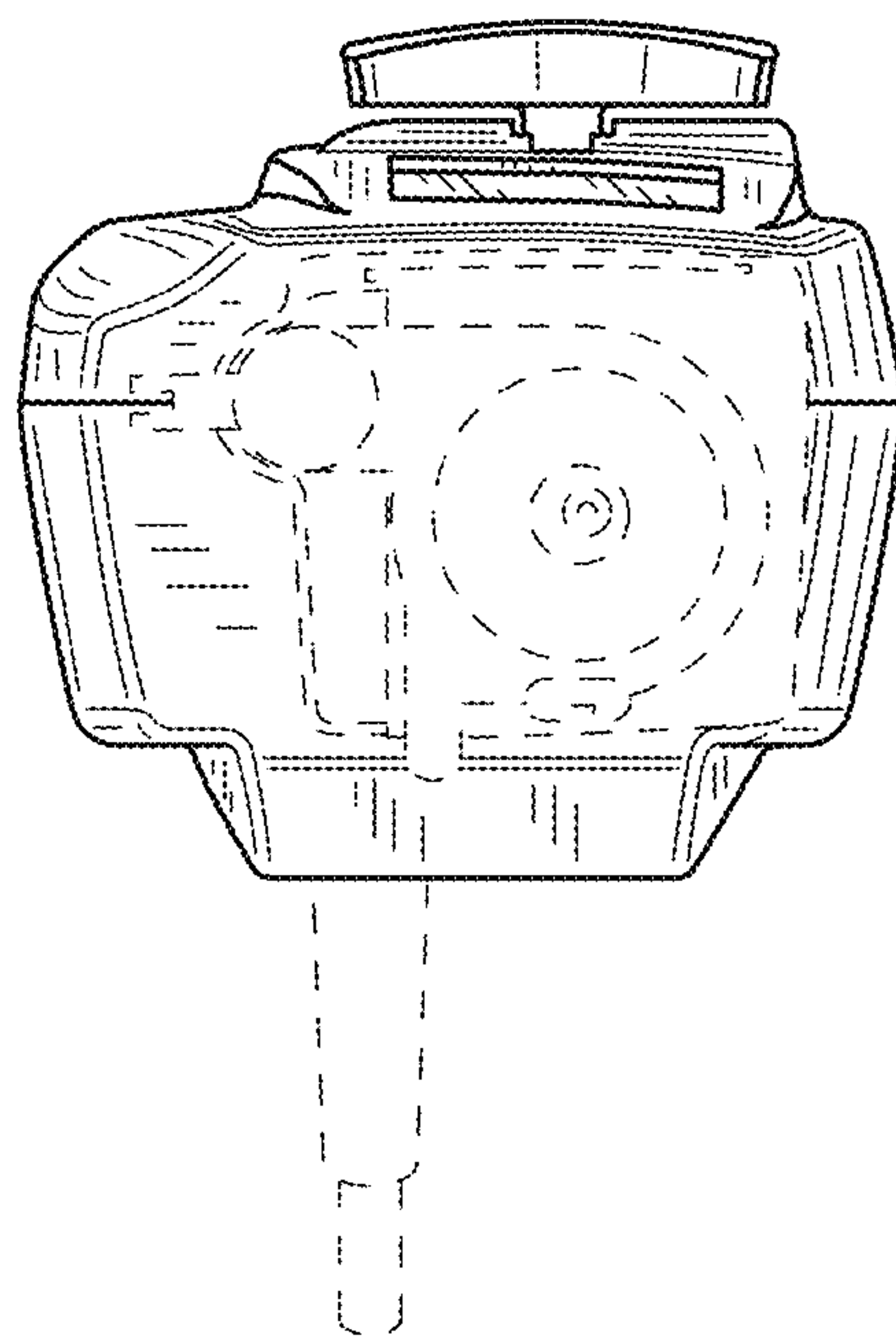


FIG.10