



US00D806229S

(12) **United States Design Patent** (10) **Patent No.:** **US D806,229 S**
Uchida (45) **Date of Patent:** **** Dec. 26, 2017**

(54) **ORAL WATERJET TOOTH CLEANING IMPLEMENT**

(71) Applicant: **Panasonic Intellectual Property Management Co., Ltd., Osaka (JP)**

(72) Inventor: **Ryota Uchida, Tokyo (JP)**

(73) Assignee: **Panasonic Intellectual Property Management Co., Ltd., Osaka (JP)**

(**) Term: **15 Years**

(21) Appl. No.: **29/593,279**

(22) Filed: **Feb. 8, 2017**

(51) **LOC (10) Cl.** **24-02**

(52) **U.S. Cl.**
USPC **D24/111**

(58) **Field of Classification Search**
USPC D24/108, 110-112, 146, 152, 176-177, D24/200; D4/101, 138; D9/447, 523, D9/723-724

CPC A61B 2017/00761; A61B 2017/320004; A61B 2018/00452; A61B 2017/00747; A61B 2217/005; A61B 17/50; A61B 2018/00476; A61M 1/0064; A61M 1/0088; A61M 2210/04; A61M 15/08; A61M 2210/0618; A61M 11/008; A61M 11/00; A61M 31/00; A61M 11/006; A61M 15/0025; A61K 9/0014; A61K 9/0043; A61C 17/02; A61C 17/0202; A61C 17/0214; A61C 17/028; A46B 2200/1066; A61H 35/04

See application file for complete search history.

(56) **References Cited**

U.S. PATENT DOCUMENTS

D486,573 S * 2/2004 Callaghan D24/111
D510,662 S 10/2005 Kling et al.

D548,334 S * 8/2007 Izumi D24/111
D629,884 S * 12/2010 Stephens D24/108
D670,373 S * 11/2012 Taylor D24/108
D694,398 S * 11/2013 Taylor D24/108
D761,567 S * 7/2016 Uchida D4/101
D766,581 S * 9/2016 Bloch D4/101
D771,389 S * 11/2016 Since D24/200
D772,396 S * 11/2016 Kim D24/111
D772,397 S * 11/2016 Kim D24/111
D778,433 S * 2/2017 Li D24/111
D780,908 S * 3/2017 Ladwig D24/111
9,775,692 B2 * 10/2017 Thomas A61C 17/0202

(Continued)

FOREIGN PATENT DOCUMENTS

EM 003467513-0001 11/2016
JP D1220098 10/2004

(Continued)

Primary Examiner — Barbara Fox

Assistant Examiner — Lilyana Bekic

(74) *Attorney, Agent, or Firm* — Panasonic IP Management; Kerry S. Culpepper

(57) **CLAIM**

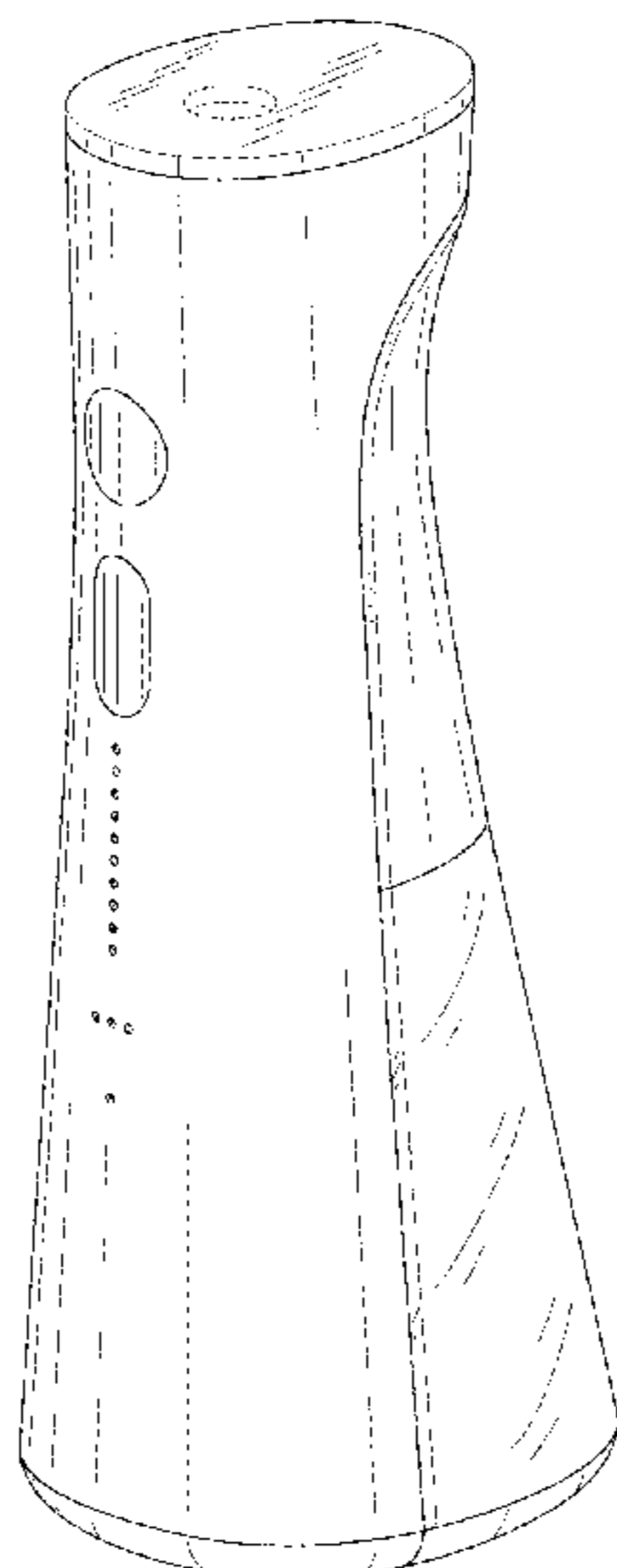
I claim the ornamental design for an oral waterjet tooth cleaning implement, as shown and described.

DESCRIPTION

FIG. 1 is a front perspective view of an oral waterjet tooth cleaning implement of the present invention;
FIG. 2 is a front view thereof;
FIG. 3 is a rear view thereof;
FIG. 4 is a first side view thereof;
FIG. 5 is a second side view thereof;
FIG. 6 is a top view thereof; and,
FIG. 7 is a bottom view thereof.

The broken lines in the drawings depict portions of the oral waterjet tooth cleaning implement that form no part of the claimed design.

1 Claim, 7 Drawing Sheets



(56)

References Cited

U.S. PATENT DOCUMENTS

2004/0209222 A1* 10/2004 Snyder A61C 17/02
433/80
2008/0008979 A1* 1/2008 Thomas A61C 17/0202
433/80
2011/0144588 A1* 6/2011 Taylor A61M 3/0258
604/151
2016/0151133 A1* 6/2016 Luetzgen F04B 39/048
433/80

FOREIGN PATENT DOCUMENTS

JP D1384701 4/2010
JP D1497334 5/2014

* cited by examiner

FIG. 1

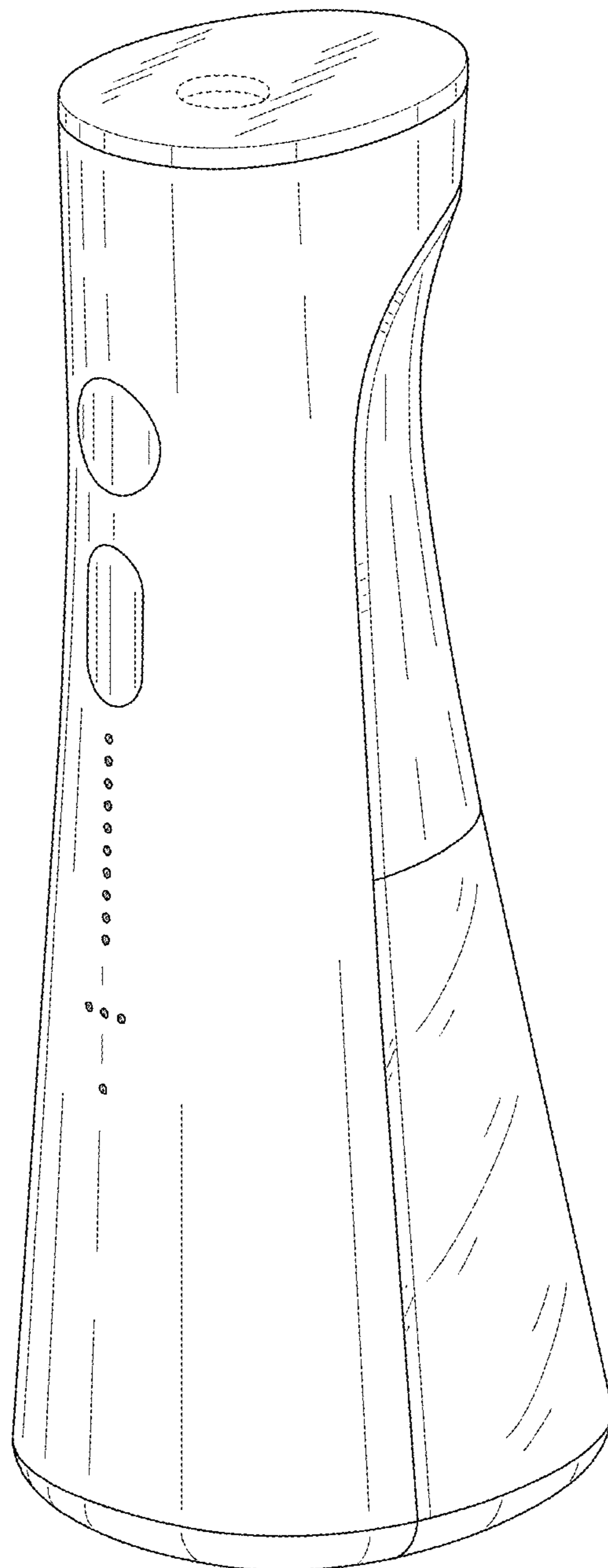


FIG. 2

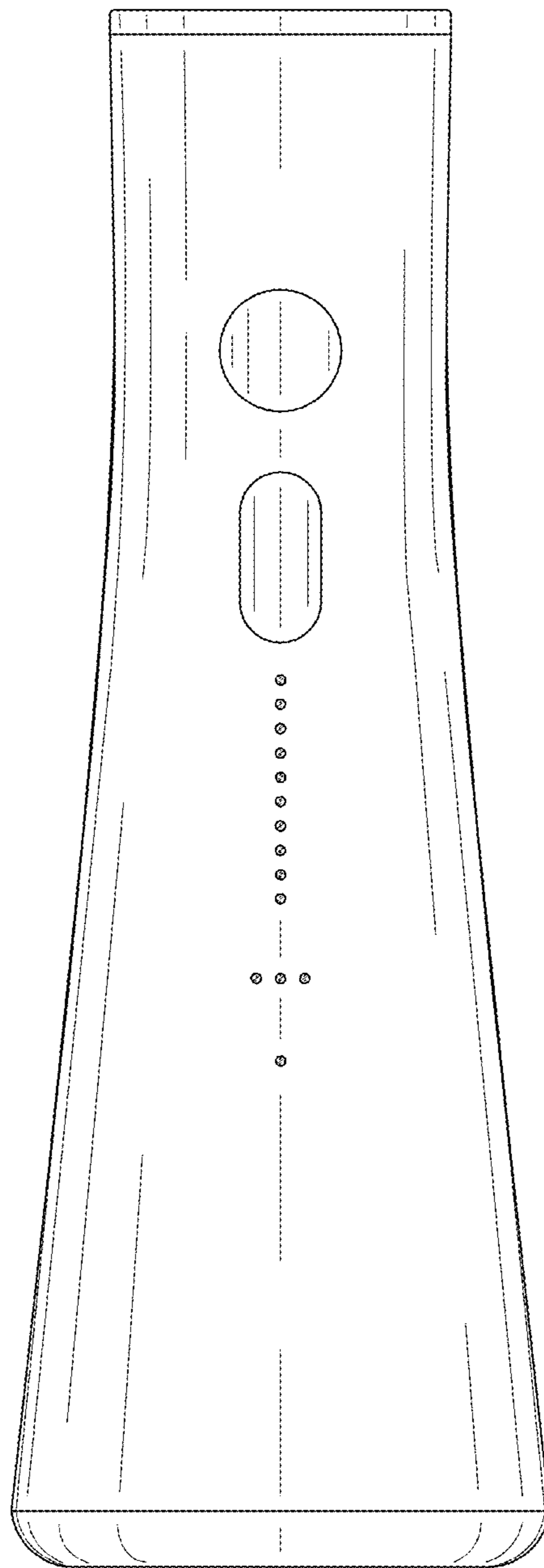


FIG. 3

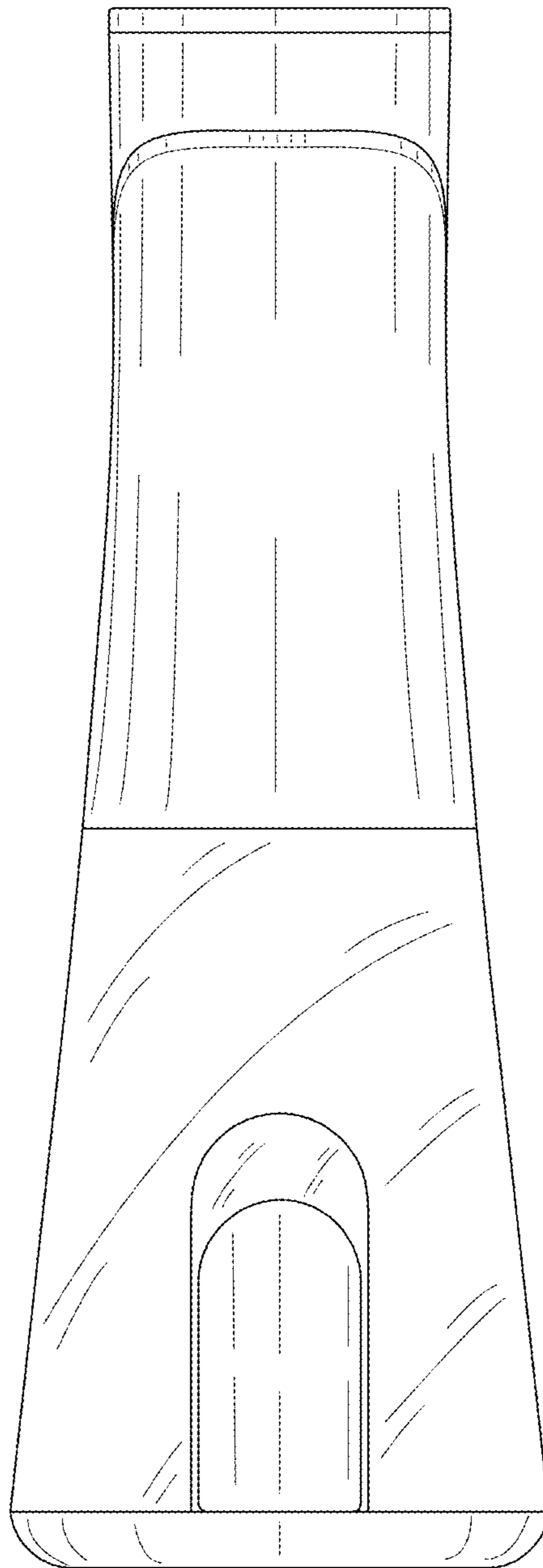


FIG. 4

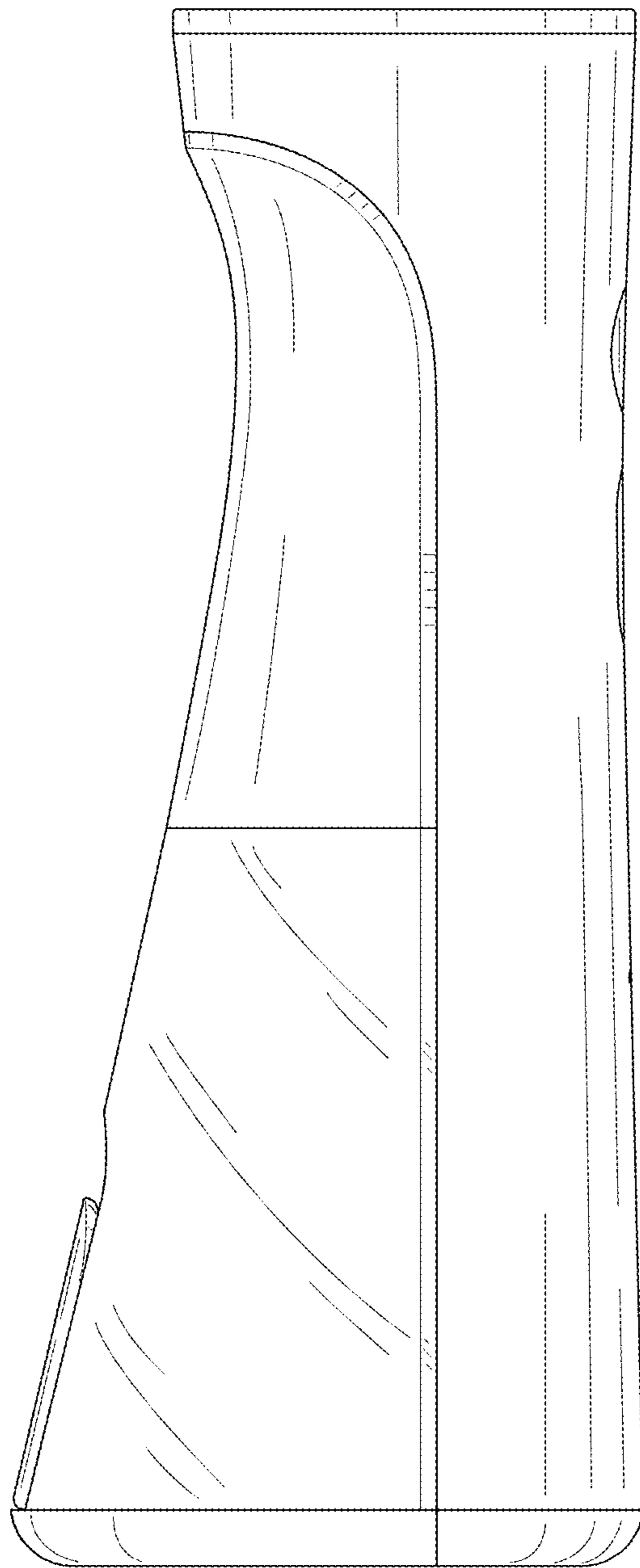


FIG. 5

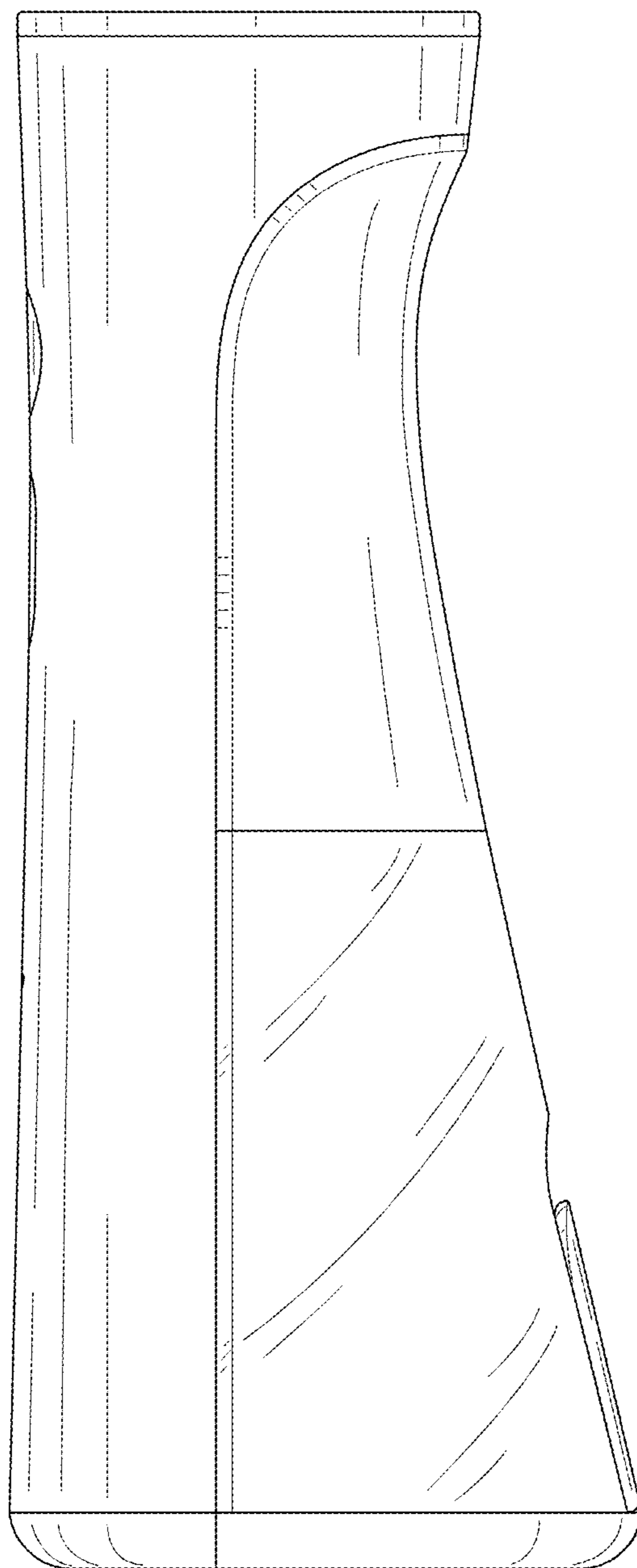


FIG. 6

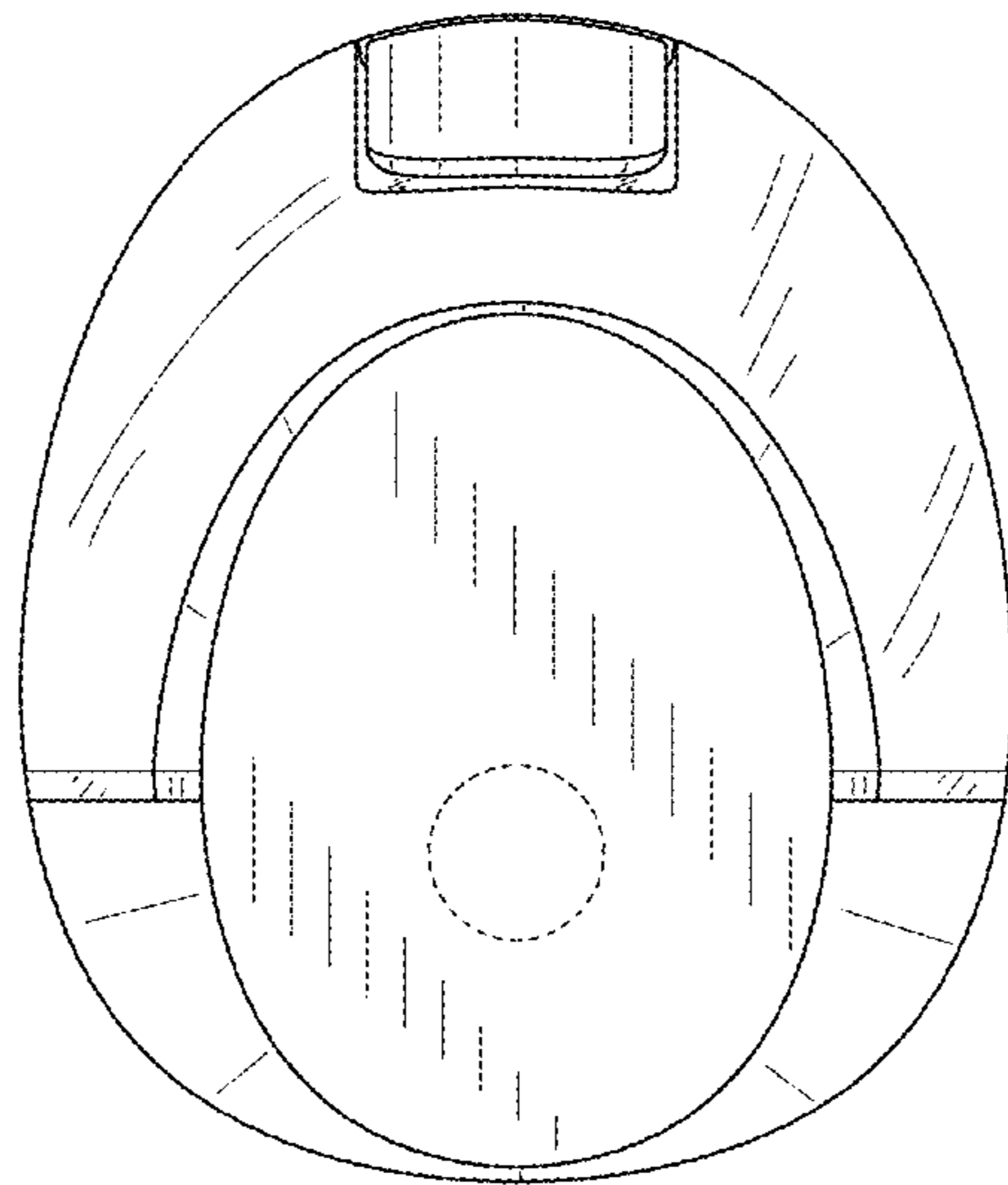


FIG. 7

