



US00D806228S

(12) **United States Design Patent**
Yan

(10) **Patent No.:** **US D806,228 S**

(45) **Date of Patent:** **** Dec. 26, 2017**

(54) **WATER PICK**
(71) Applicant: **Guangdong Roman Technology Co., Ltd.**, Dongguan (CN)
(72) Inventor: **Youchun Yan**, Dongguan (CN)
(73) Assignee: **GUANGDONG ROMAN TECHNOLOGY CO., LTD.**, Dongguan (CN)

8,113,832 B2 * 2/2012 Snyder A61C 17/02
222/383.1
D747,464 S * 1/2016 Taylor A61C 17/0202
D24/111
D772,396 S * 11/2016 Kim D24/111
9,642,677 B2 * 5/2017 Luetngen A61C 17/0205
9,775,692 B2 * 10/2017 Thomas A61C 17/0202
2016/0151133 A1 * 6/2016 Luetngen A61C 17/0202
433/80

(**) Term: **15 Years**

JP D1497334 * 10/2013

* cited by examiner

(21) Appl. No.: **29/585,480**

(22) Filed: **Nov. 23, 2016**

Primary Examiner — Wan Laymon

(74) *Attorney, Agent, or Firm* — Ming Chow; Sinorica, LLC

(30) **Foreign Application Priority Data**

Sep. 23, 2016 (CN) 2016 3 0479528

(51) **LOC (10) Cl.** **24-02**

(52) **U.S. Cl.**
USPC **D24/111; D24/176**

(58) **Field of Classification Search**
USPC D24/111-112, 152, 176
CPC . A61C 17/02; A61C 17/0202; A61C 17/0205;
A61C 17/0214; A61C 17/028; A61C
17/16; A61C 17/26; A61C 17/28; A61C
17/36

See application file for complete search history.

(56) **References Cited**

U.S. PATENT DOCUMENTS

D413,975 S * 9/1999 Maeda D24/176
D548,334 S * 8/2007 Izumi D24/152

FOREIGN PATENT DOCUMENTS

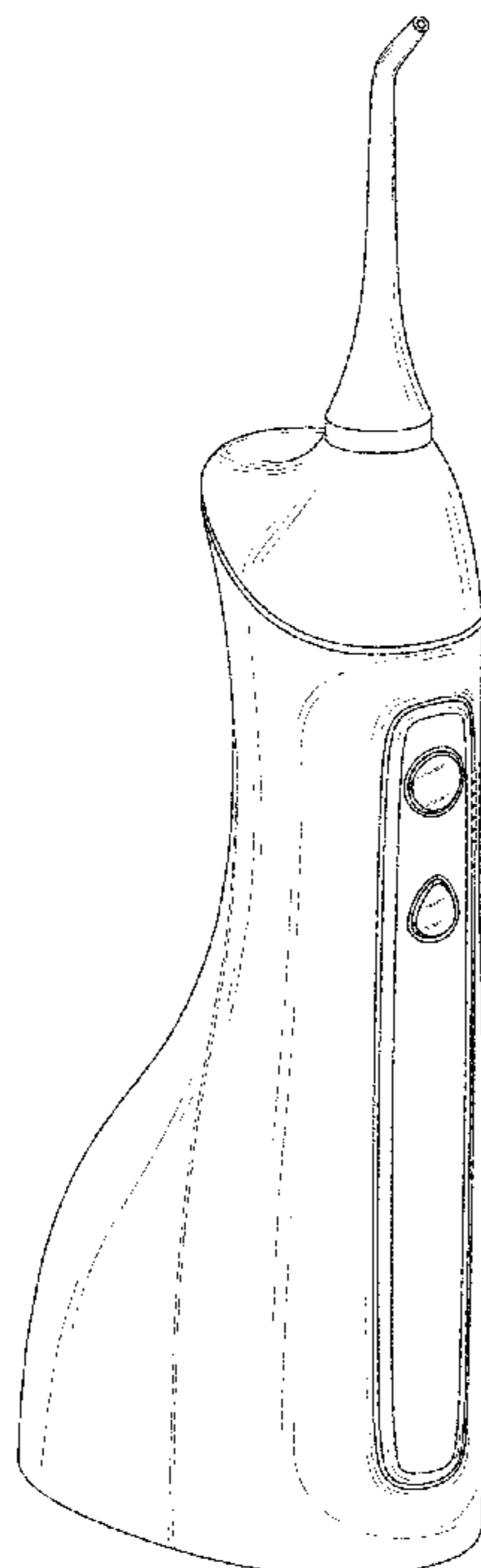
(57) **CLAIM**

The ornamental design for a water pick, as shown and described.

DESCRIPTION

FIG. 1 is a perspective view of the water pick showing my new design;
FIG. 2 is a front elevation view thereof;
FIG. 3 is a rear elevation view thereof;
FIG. 4 is left side view thereof;
FIG. 5 is a top plan view thereof; and,
FIG. 6 is a bottom plan view thereof.

1 Claim, 6 Drawing Sheets



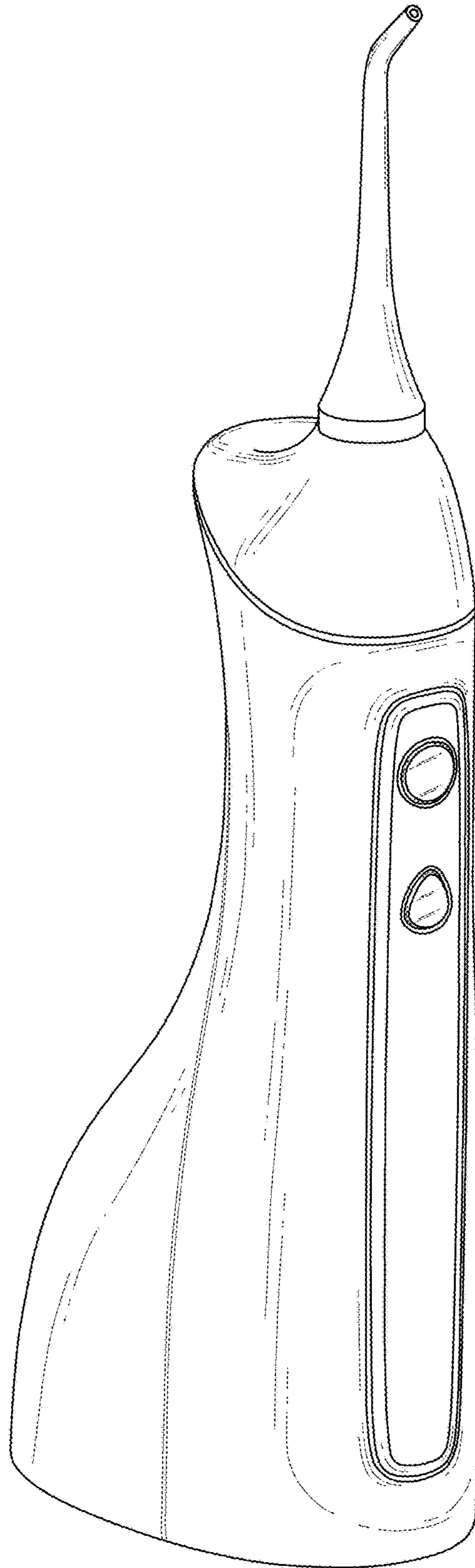


FIG.1

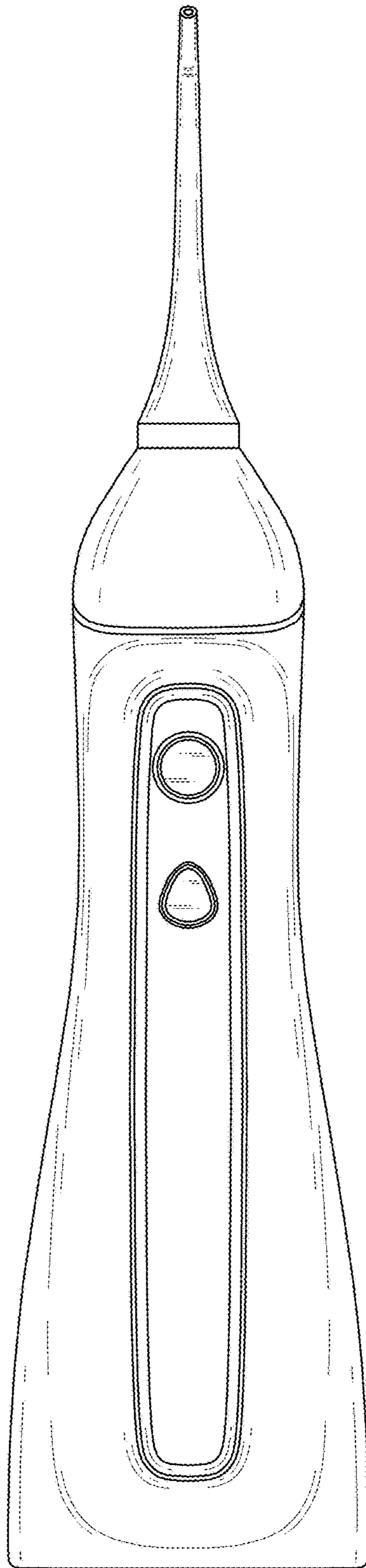


FIG.2

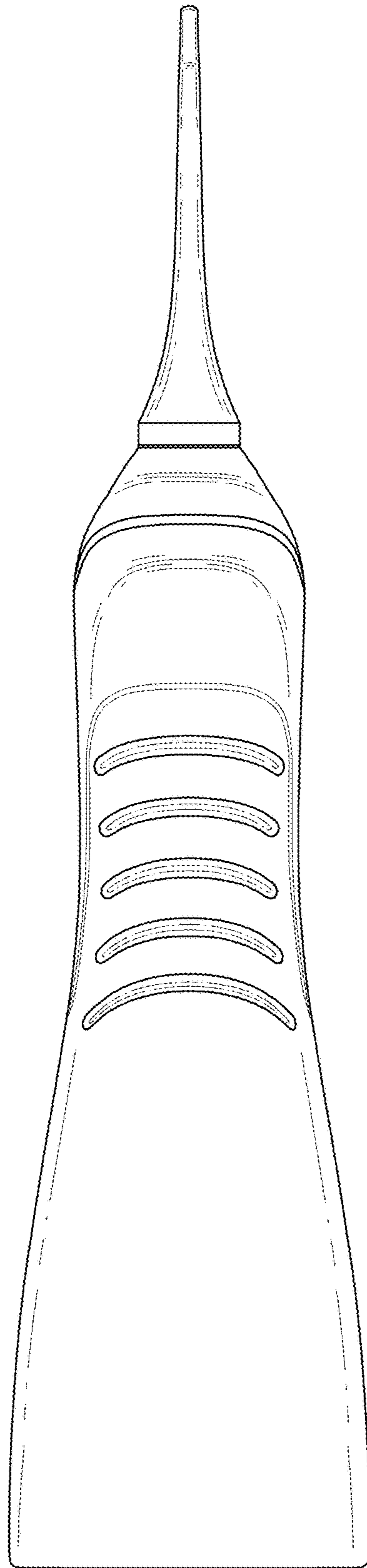


FIG. 3

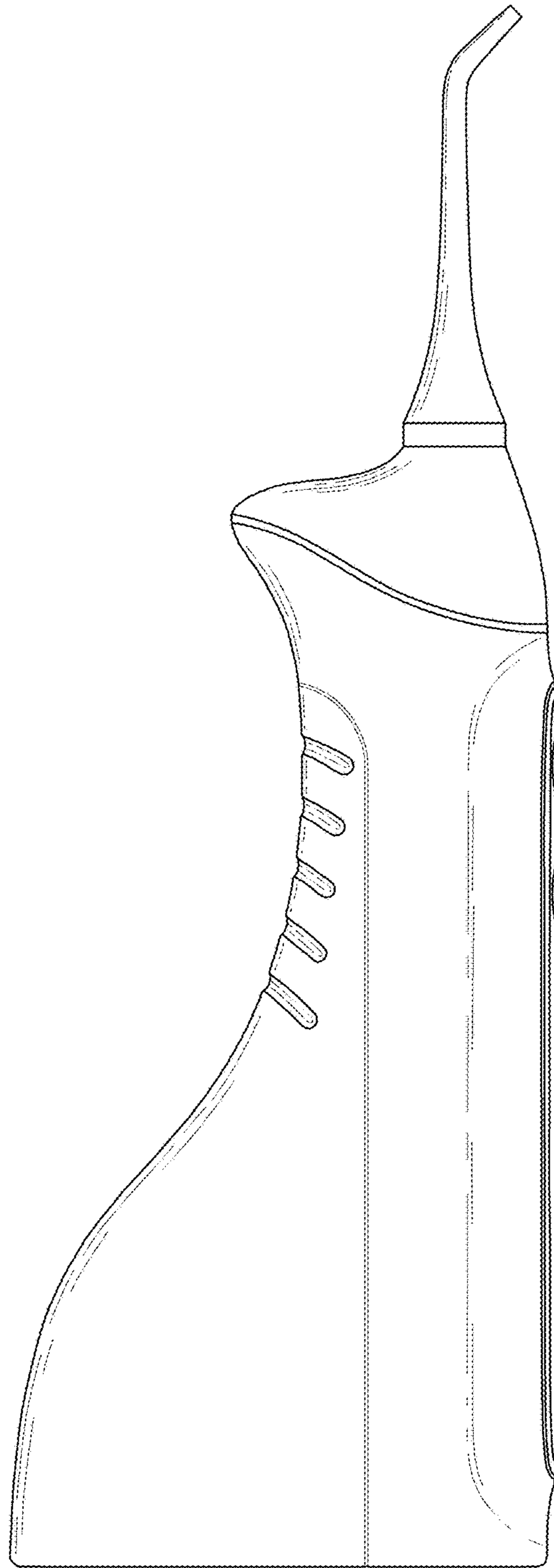


FIG.4

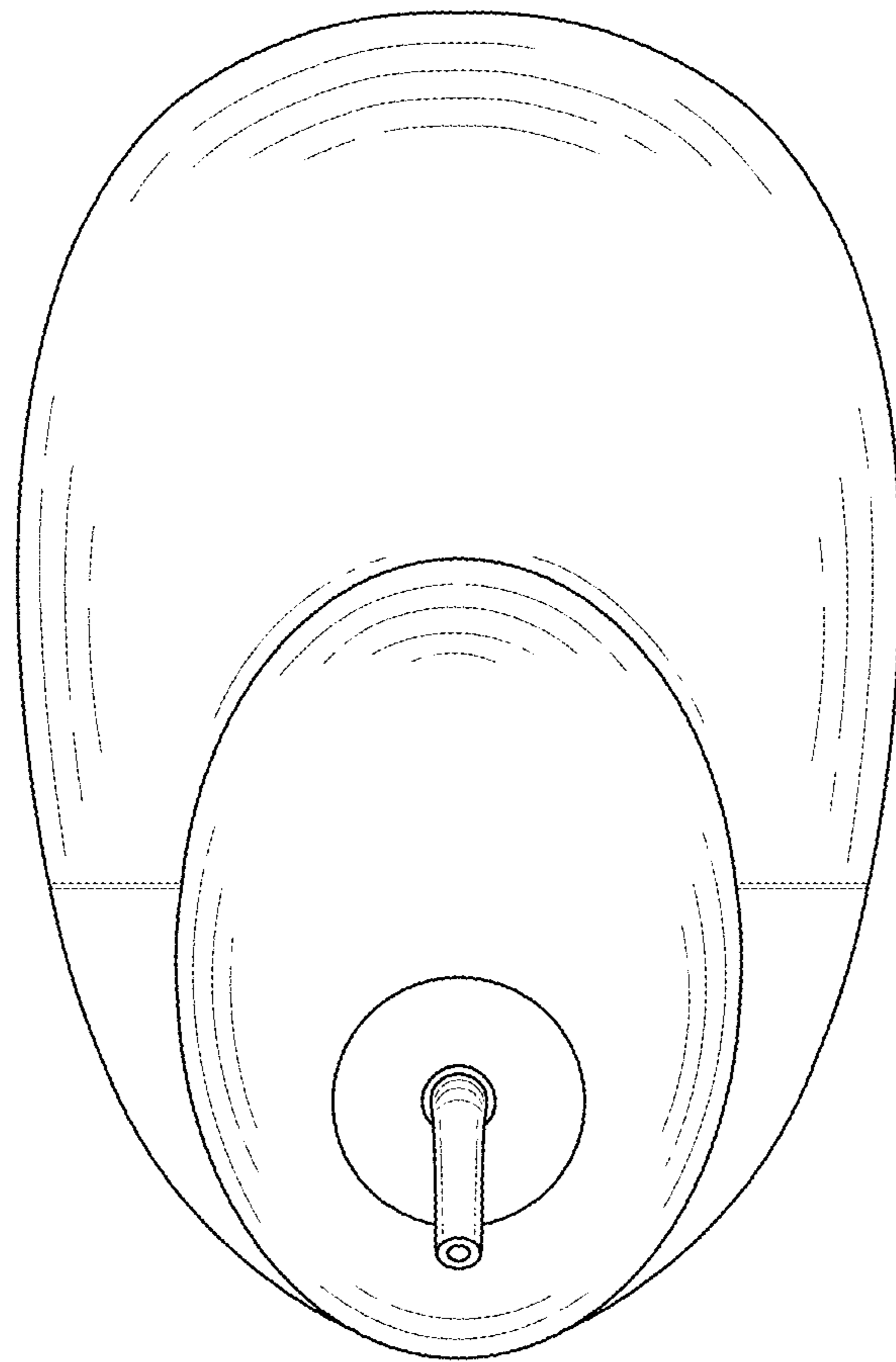


FIG.5

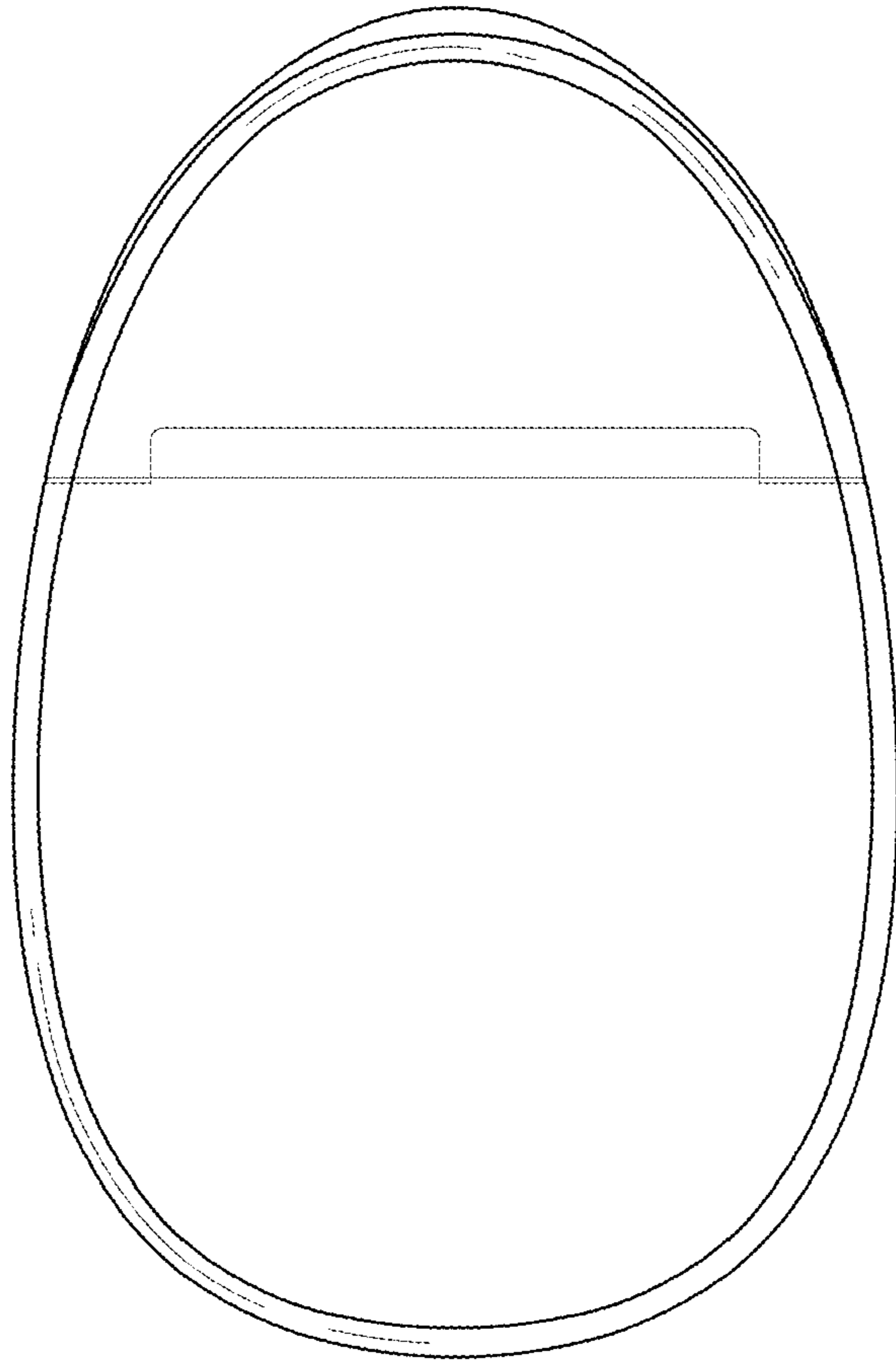


FIG.6