



US00D806226S

(12) **United States Design Patent** (10) **Patent No.:** **US D806,226 S**
Gajewski (45) **Date of Patent:** **** *Dec. 26, 2017**

- (54) **CEILING FAN HOUSING WITH LIGHT FIXTURE**
- (71) Applicant: **Minka Lighting, Inc.**, Corona, CA (US)
- (72) Inventor: **Mark Gajewski**, Avila Beach, CA (US)
- (73) Assignee: **Minka Lighting, Inc.**, Corona, CA (US)
- (*) Notice: This patent is subject to a terminal disclaimer.
- (**) Term: **15 Years**
- (21) Appl. No.: **29/593,829**
- (22) Filed: **Feb. 13, 2017**

- D149,133 S 3/1948 Kisling
- D160,391 S 10/1950 Hutcheson
- 3,833,201 A 9/1974 Dill
- D241,615 S 9/1976 King
- 3,989,226 A 11/1976 Burgess
- D251,108 S 2/1979 Desilets
- D260,717 S 9/1981 Gusdorf
- D295,430 S 4/1988 Smith
- D295,555 S 5/1988 Greenberg
- D298,454 S 11/1988 Clyde-Mason
- 4,838,506 A 6/1989 Cooper
- D302,324 S 7/1989 Moran et al.

(Continued)

Primary Examiner — Susan Bennett Hattan
Assistant Examiner — Marie D. Fast Horse
(74) *Attorney, Agent, or Firm* — Baker & McKenzie LLP

(57) **CLAIM**

The ornamental design for a ceiling fan housing with light fixture, as shown and described.

Related U.S. Application Data

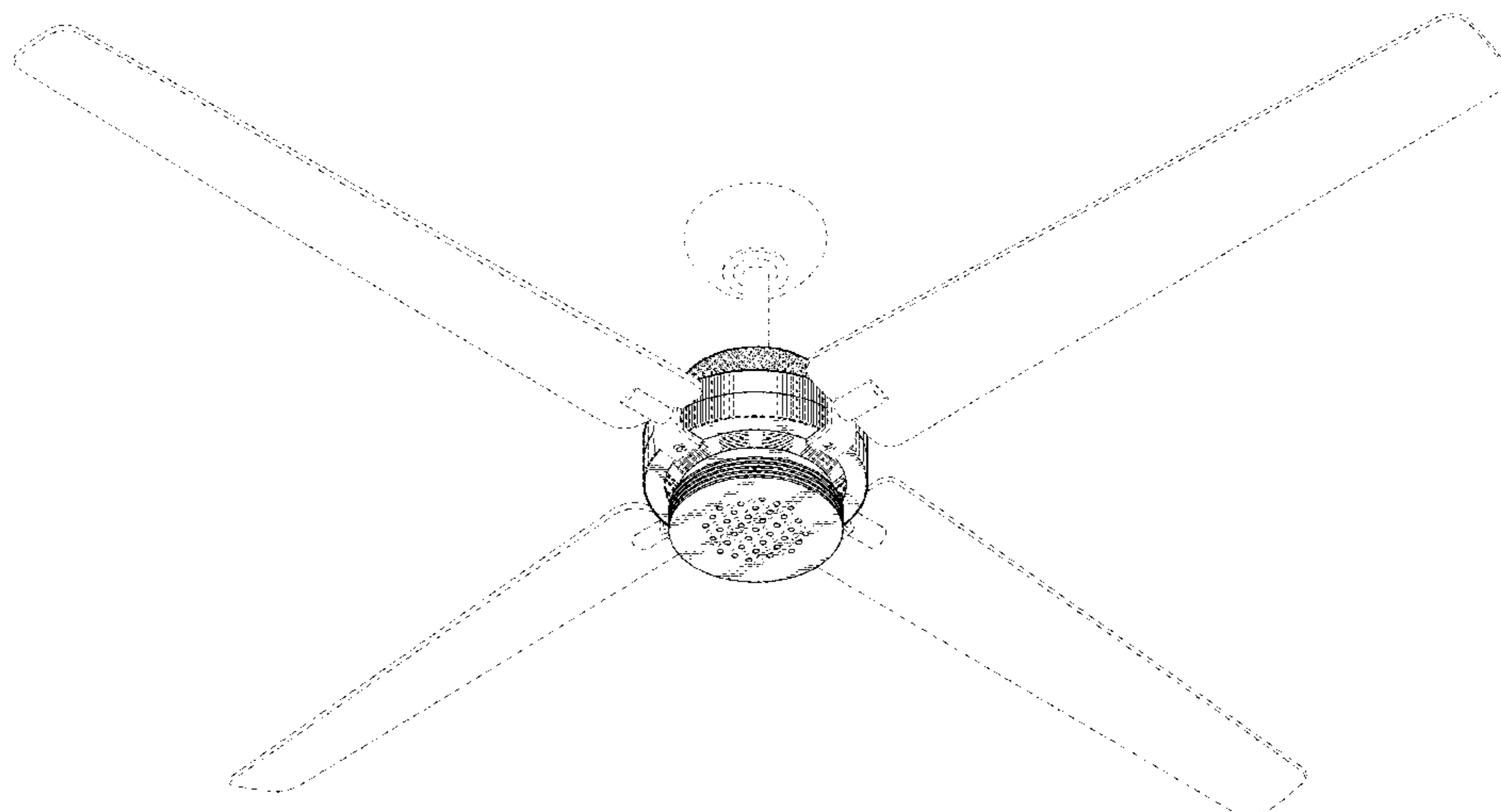
- (63) Continuation of application No. 29/552,863, filed on Jan. 26, 2016, now Pat. No. Des. 779,052.
- (51) **LOC (10) Cl.** **23-04**
- (52) **U.S. Cl.**
USPC **D23/411**; D26/59
- (58) **Field of Classification Search**
USPC D23/377, 379, 385, 387, 411–414, 499;
416/1, 5, 170 R, 214 R, 184, 206, 207,
416/210 R, 220 R, 244 R, 248; 392/364;
D26/59, 51, 72, 73, 80–86, 88, 90
CPC F04D 25/088; F04D 29/005; F04D 29/601;
F04D 29/322; F04D 29/324; F04D 29/34;
F21V 33/0096
See application file for complete search history.

DESCRIPTION

FIG. 1 is a perspective view of a ceiling fan housing with light fixture in accordance with my design;
FIG. 2 is an enlarged perspective view of the ceiling fan housing with light fixture in accordance with my design;
FIG. 3 is an enlarged top plan view of the ceiling fan housing with light fixture in accordance with my design, the opposite side being identical thereto; and
FIG. 4 is an enlarged bottom plan view of the ceiling fan housing with light fixture in accordance with my design;
FIG. 5 is an enlarged front side view of the ceiling fan housing with light fixture in accordance with my design, the rear side being identical thereto; and
FIG. 6 is an enlarged left-side elevation view of the ceiling fan housing and light fixture in accordance with my design, the opposite side being identical thereto.
The broken-line disclosure of elements is understood to represent portions of the article in which the design is embodied, but which form no part of the claimed design.

- (56) **References Cited**
U.S. PATENT DOCUMENTS
D90,062 S 6/1933 Dasher
D90,063 S 6/1933 Dasher
D132,865 S 6/1942 Drollinger

1 Claim, 3 Drawing Sheets



(56)

References Cited

U.S. PATENT DOCUMENTS

D302,863 S	8/1989	Krol	D627,872 S	11/2010	Pan	
D318,725 S	7/1991	Jaeger	D628,312 S	11/2010	Yamamoto et al.	
D331,638 S	12/1992	Vamberszky et al.	D628,688 S	12/2010	Pan	
D345,790 S	4/1994	Caldwell	D632,384 S *	2/2011	Pan	D23/411
D391,657 S	3/1998	Compton	D639,498 S	6/2011	Kawagoe et al.	
D397,482 S	8/1998	Binsukor	D652,133 S	1/2012	Hiner et al.	
D408,515 S	4/1999	Evans	D656,813 S	4/2012	Dotsey et al.	
5,951,253 A	9/1999	Gajewski	D660,952 S *	5/2012	Spaggiari	D23/370
D421,113 S	2/2000	Zuege	D676,543 S	2/2013	Hiner et al.	
D434,133 S	11/2000	Johnson	D676,952 S	2/2013	Hiner	
6,158,964 A	12/2000	Gajewski	D684,251 S	6/2013	Pan	
6,171,060 B1	1/2001	Gajewski	D698,914 S	2/2014	Love et al.	
6,209,853 B1	4/2001	Roy et al.	D700,984 S	3/2014	Yang	
D449,029 S	10/2001	Hanson et al.	D704,819 S	5/2014	Wang	
D488,555 S	4/2004	Huang	D707,336 S	6/2014	Pan	
D497,447 S	10/2004	Yoneda	D728,775 S	5/2015	Gajewski	
D530,039 S	10/2006	Blackman	D730,717 S	6/2015	Moreau et al.	
D541,958 S	5/2007	Holldorff	D739,217 S	9/2015	Wu	
D556,017 S	11/2007	Hutter, III	D741,688 S	10/2015	James	
D583,923 S	12/2008	Bucher et al.	D742,059 S	10/2015	Gettings et al.	
D584,428 S	1/2009	Li et al.	D747,452 S	1/2016	Gajewski	
D589,636 S	3/2009	Pinette	D752,199 S	3/2016	Berkman et al.	
D594,314 S	6/2009	Hutter, III	D778,422 S *	2/2017	Gajewski	D23/377
D594,997 S	6/2009	Zhu et al.	D779,052 S *	2/2017	Gajewski	D23/411
D596,733 S	7/2009	Kihara	D779,093 S *	2/2017	Gajewski	D23/411
D626,666 S	11/2010	Yamamoto et al.	2003/0185684 A1	10/2003	Zhong	
D627,053 S	11/2010	Pan	2005/0220623 A1	10/2005	DeLeon	
			2006/0024165 A1	2/2006	Gajewski	
			2009/0175728 A1	7/2009	DeLeon	
			2010/0074754 A1	3/2010	Taya	

* cited by examiner

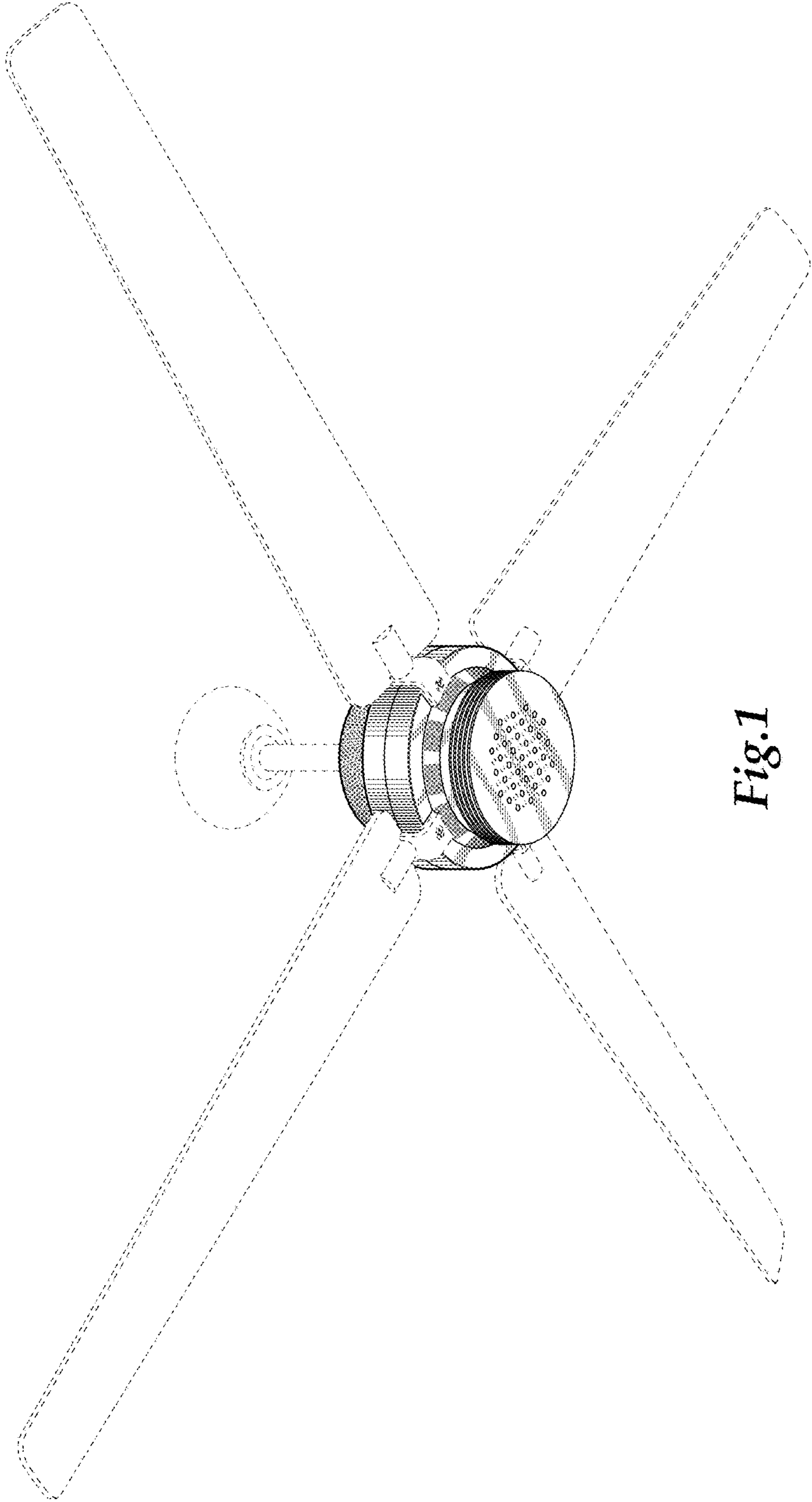


Fig. 1

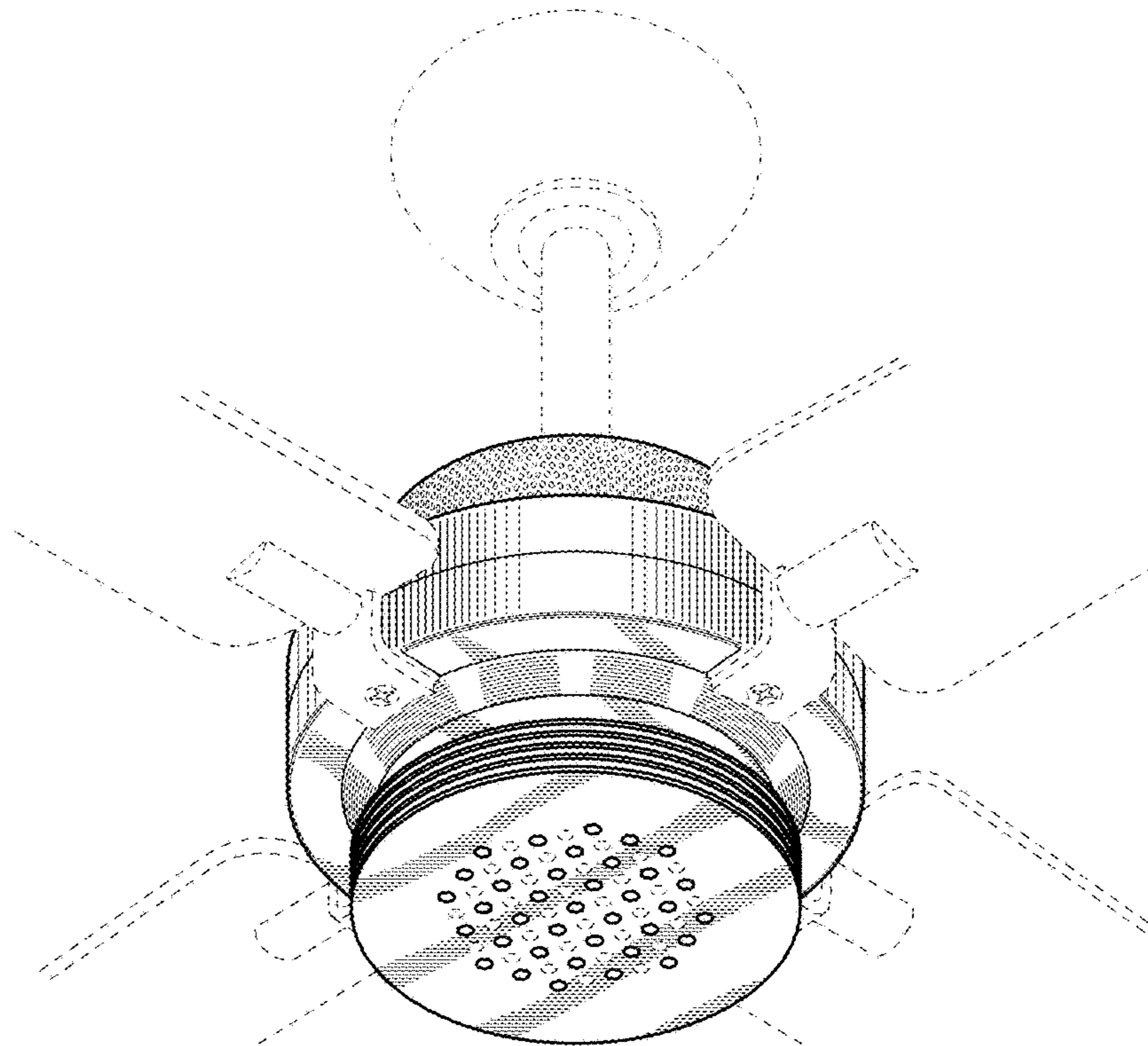


Fig.2

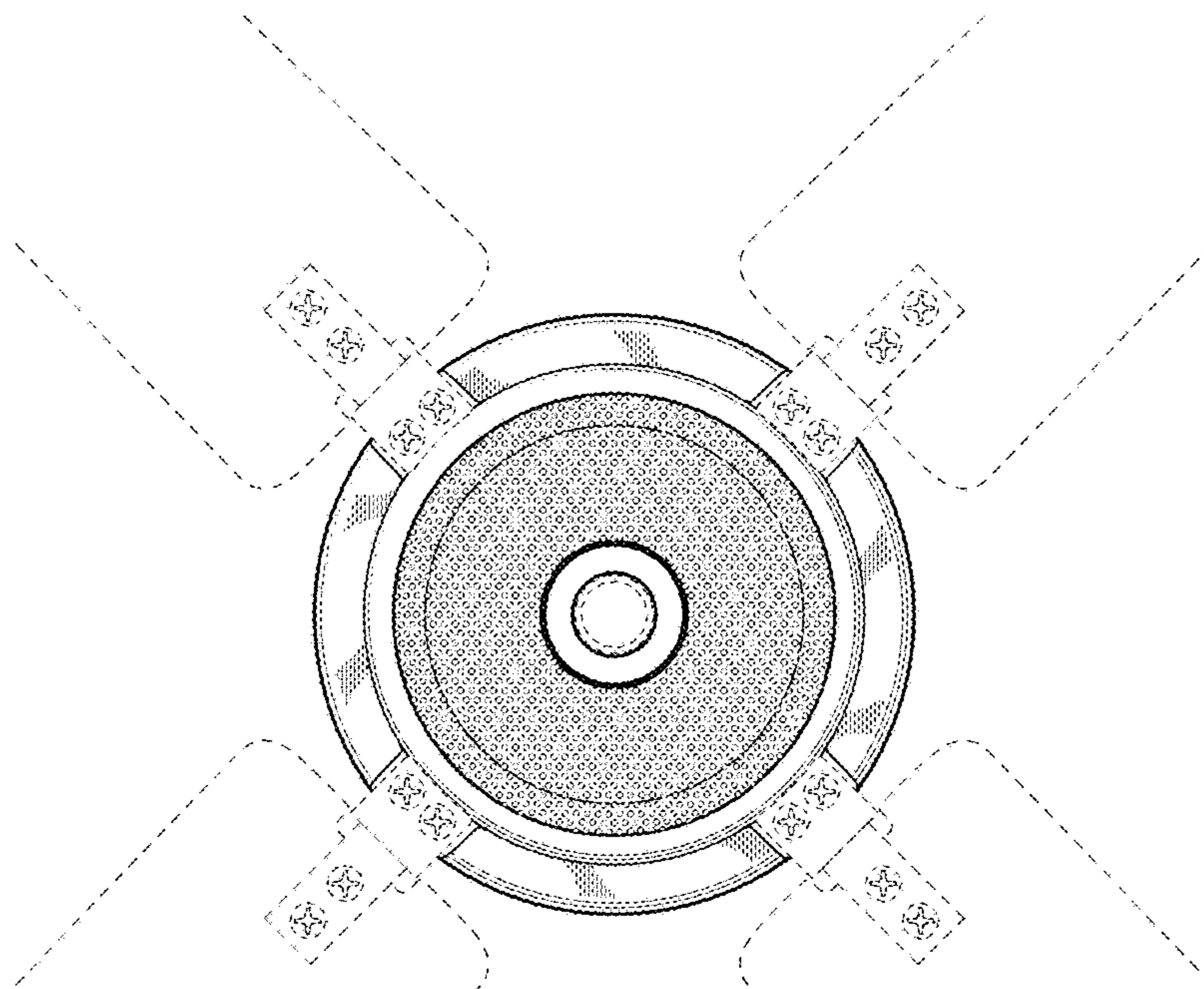


Fig.3

