



US00D806224S

(12) **United States Design Patent**  
**Kim et al.**

(10) **Patent No.:** **US D806,224 S**

(45) **Date of Patent:** **\*\* Dec. 26, 2017**

(54) **WATER TURBINE FOR AIR PURIFIER WITH HUMIDIFIER**

(71) Applicant: **LG ELECTRONICS INC.**, Seoul (KR)

(72) Inventors: **Joosang Kim**, Seoul (KR); **Sungkyong Han**, Seoul (KR); **Yoojeung Han**, Seoul (KR); **Sehwan Bae**, Seoul (KR)

(73) Assignee: **LG ELECTRONICS INC.**, Seoul (KR)

(\*\*) Term: **15 Years**

(21) Appl. No.: **29/577,032**

(22) Filed: **Sep. 8, 2016**

(30) **Foreign Application Priority Data**

Mar. 24, 2016 (KR) ..... 30-2016-0013862

(51) **LOC (10) Cl.** ..... **23-04**

(52) **U.S. Cl.**  
USPC ..... **D23/375**

(58) **Field of Classification Search**

USPC ..... D23/332–336, 342, 351, 352, 355–366, D23/369, 370; D14/168, 170–172, 188, D14/216, 496; D15/4, 5; D32/25, 26  
CPC .... A62B 21/00; B01D 46/0002; B01D 46/10; F02M 35/04; F24F 13/20

See application file for complete search history.

(56) **References Cited**

**U.S. PATENT DOCUMENTS**

D268,707 S \* 4/1983 Ohmann ..... D32/26  
D357,561 S \* 4/1995 Kropf ..... D32/26  
5,732,616 A \* 3/1998 Bryan ..... A47J 43/284  
30/303

D399,620 S \* 10/1998 Roeker ..... D32/25  
D474,567 S \* 5/2003 Clark ..... D32/26  
D710,488 S \* 8/2014 Alima ..... D23/363  
D741,001 S \* 10/2015 Alarcon ..... D27/167  
D744,707 S \* 12/2015 Becker ..... D32/25  
D751,353 S \* 3/2016 Rose ..... D7/688

**OTHER PUBLICATIONS**

LG Water Turbine reference found online Jun. 23, 2017]—[http://www.lg.com/us/air-care-solutions/lg-AM501YWM1?&cmpid=sem\\_\(SG\)-Signature-AON-GGL-Srch-Brand-Air-Purifier-Only-EXT\\_lg-signature-air-purifier&gclid=CKm24smh1NQCfQdNNwodNsYJHg&gclsrc=ds.\\*](http://www.lg.com/us/air-care-solutions/lg-AM501YWM1?&cmpid=sem_(SG)-Signature-AON-GGL-Srch-Brand-Air-Purifier-Only-EXT_lg-signature-air-purifier&gclid=CKm24smh1NQCfQdNNwodNsYJHg&gclsrc=ds.*)

\* cited by examiner

*Primary Examiner* — Robert M. Spear

*Assistant Examiner* — John A Voytek

(74) *Attorney, Agent, or Firm* — Dentons US LLP

(57) **CLAIM**

We claim the ornamental design for a water turbine for air purifier with humidifier, as shown and described.

**DESCRIPTION**

FIG. 1 is a perspective view of a water turbine for air purifier with humidifier showing the new design; FIG. 2 is a front elevation view thereof; FIG. 3 is a rear elevation view thereof; FIG. 4 is a left-side elevation view thereof; FIG. 5 is a right-side elevation view thereof; FIG. 6 is a top plan view thereof; FIG. 7 is a bottom plan view thereof; and, FIG. 8 is a perspective view thereof, in a use condition. The broken lines shown in FIG. 8 are included for the purpose of illustrating environmental structure and form no part of the claimed design.

**1 Claim, 8 Drawing Sheets**

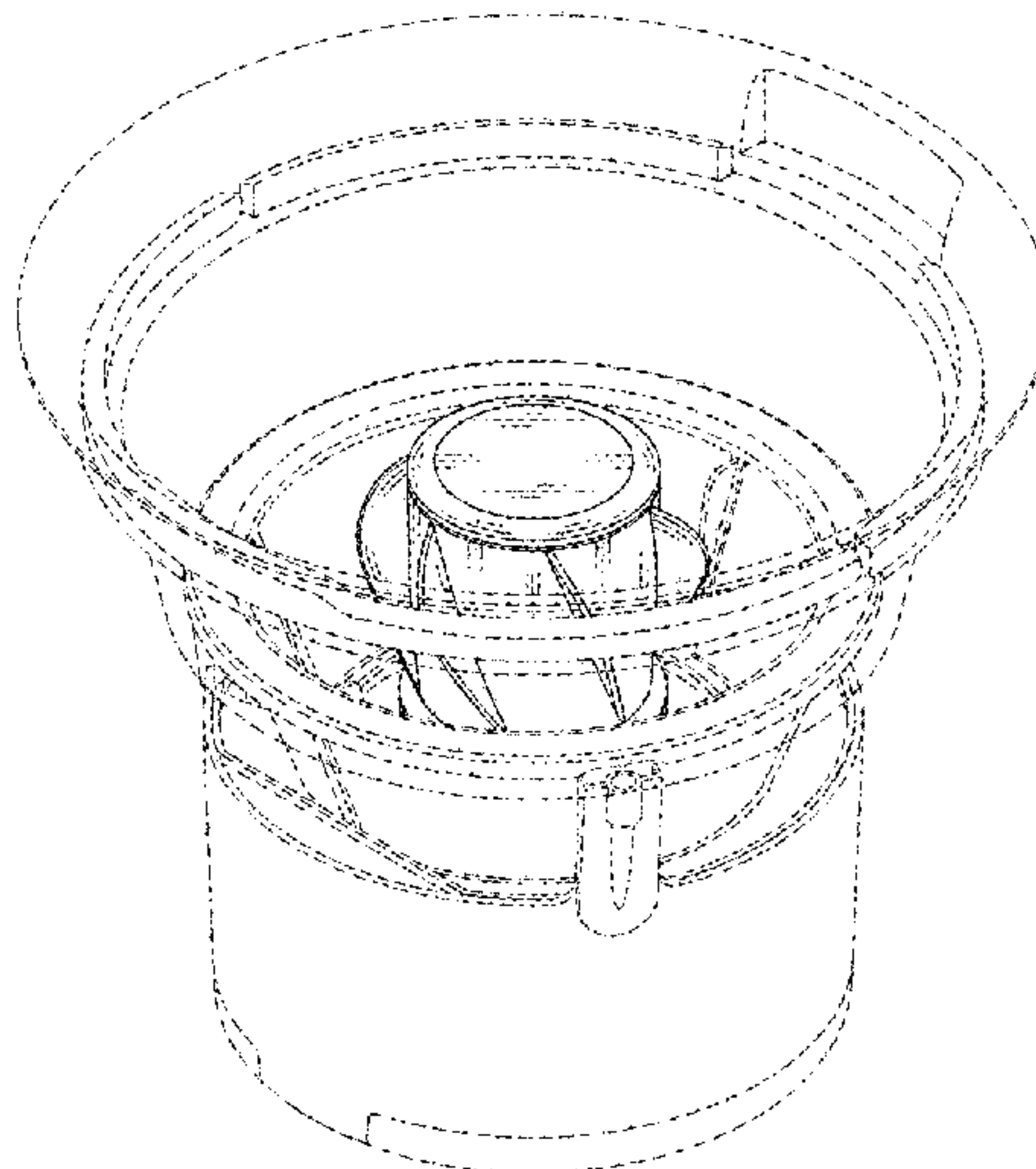
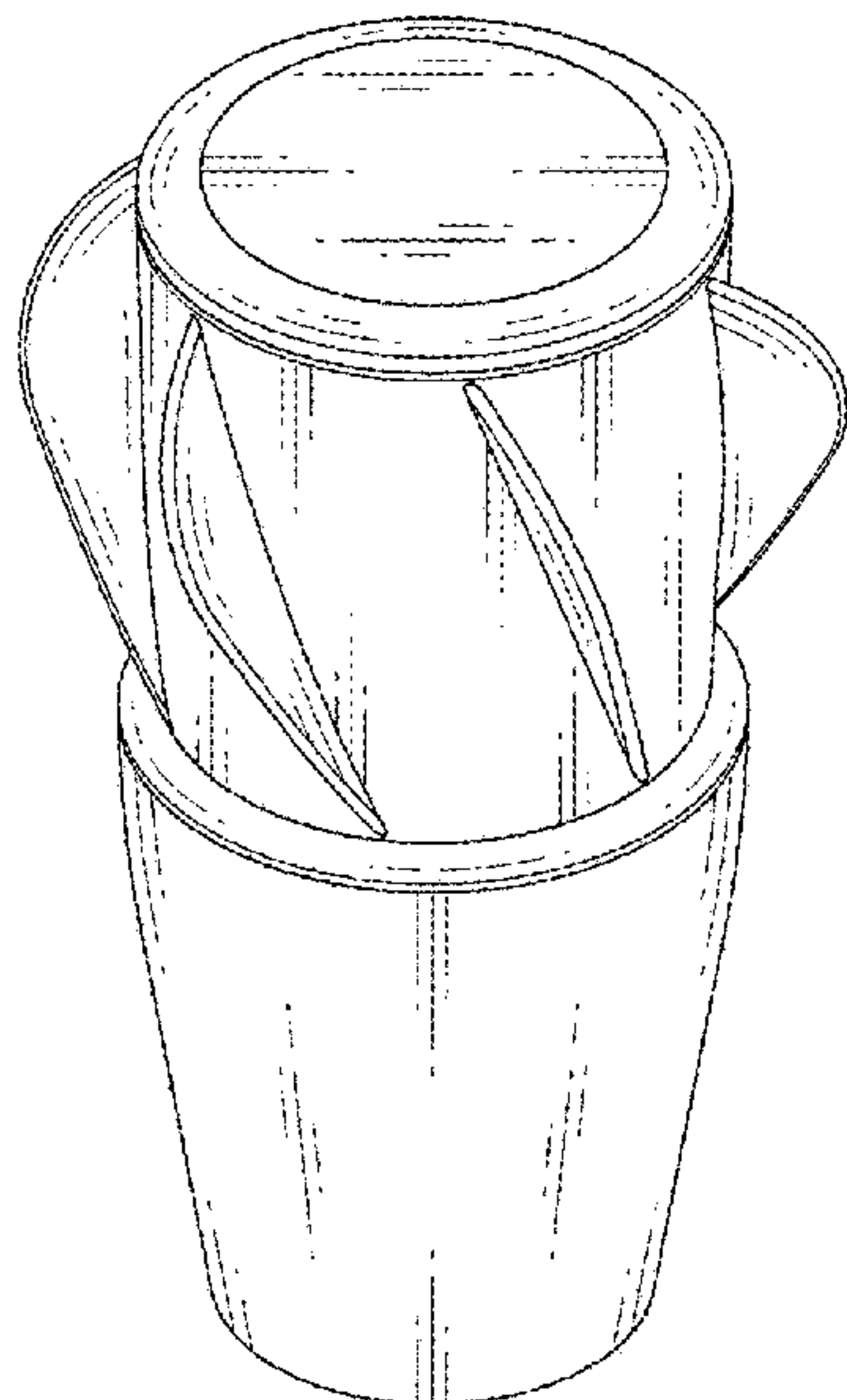


FIG. 1

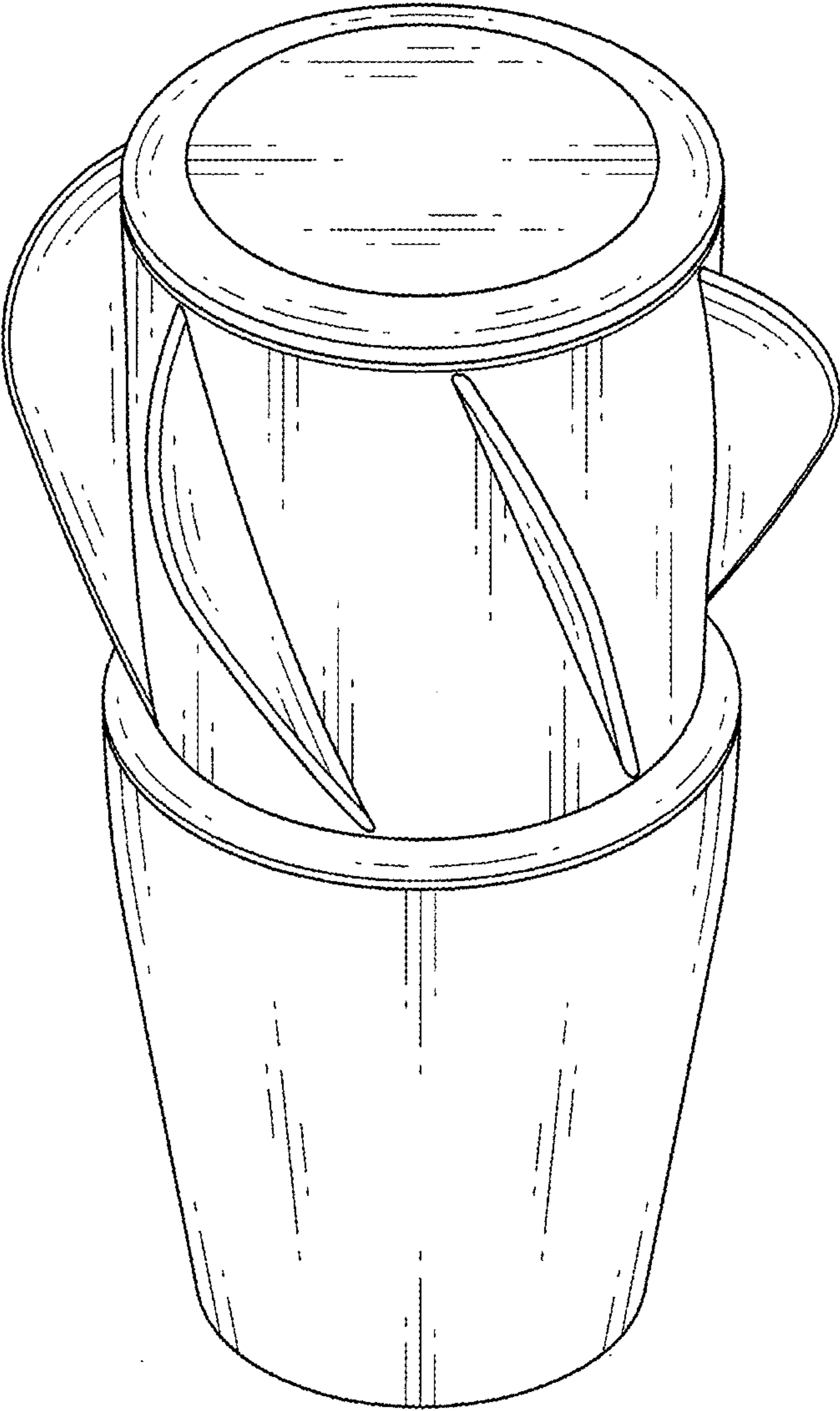


FIG. 2

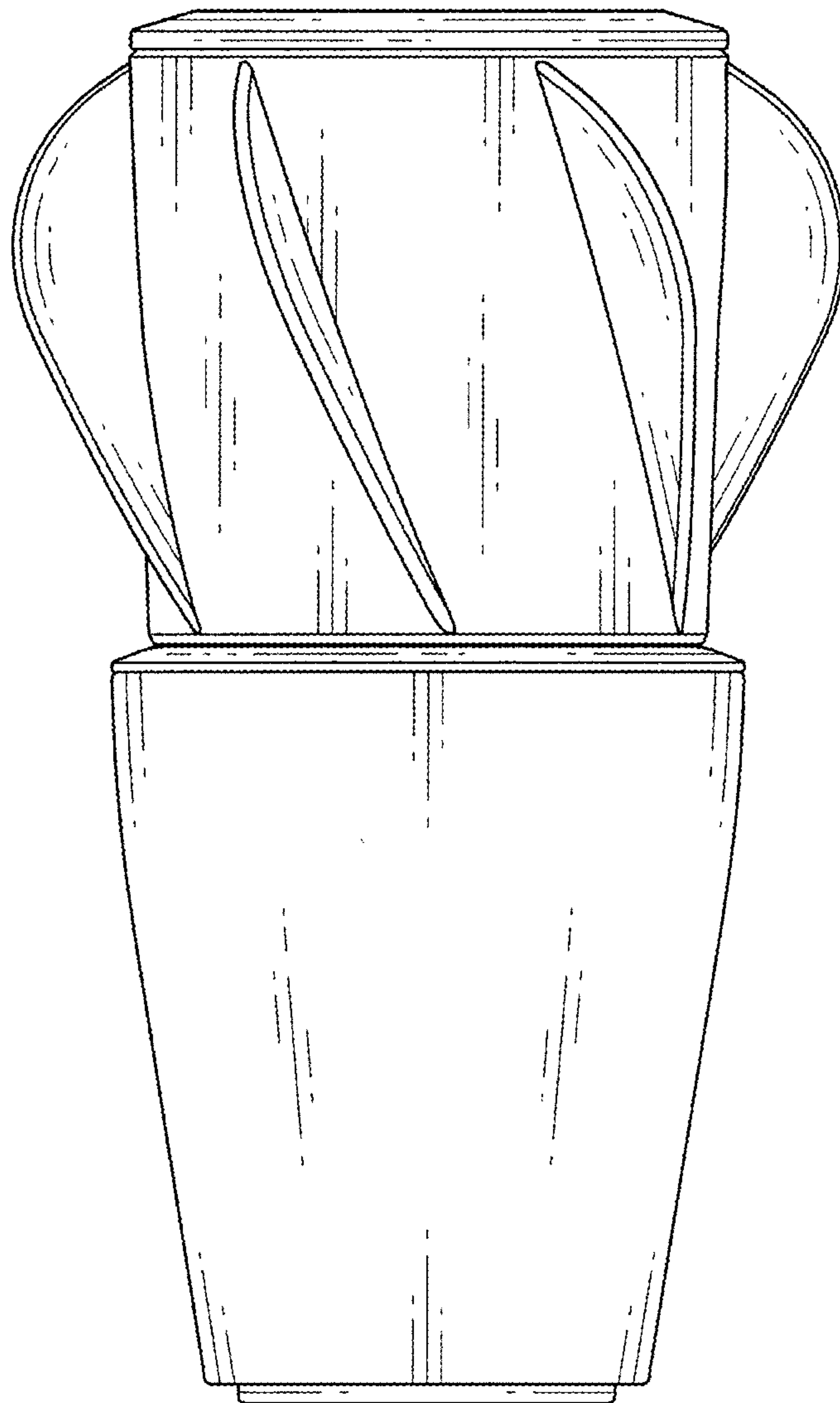


FIG. 3

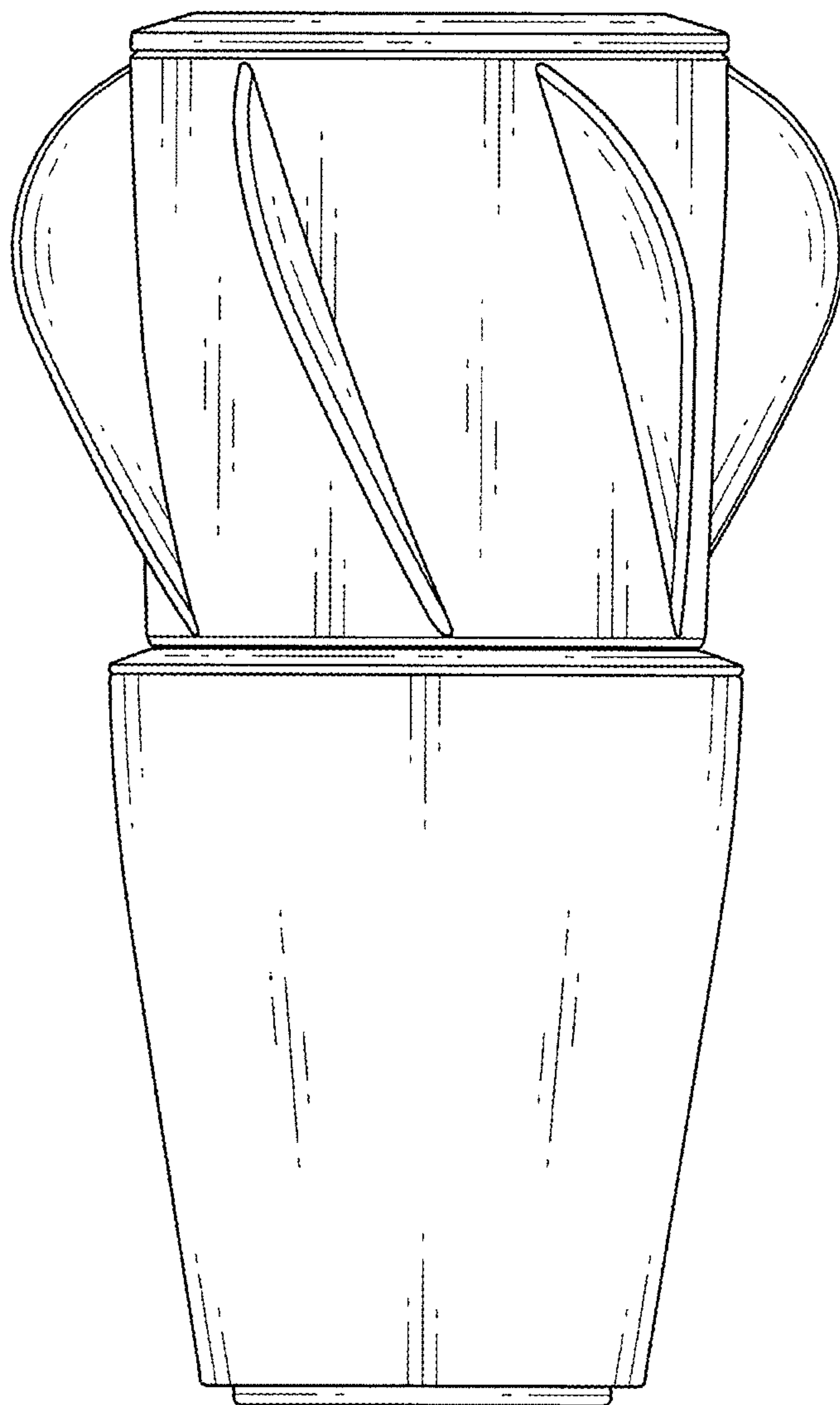


FIG. 4

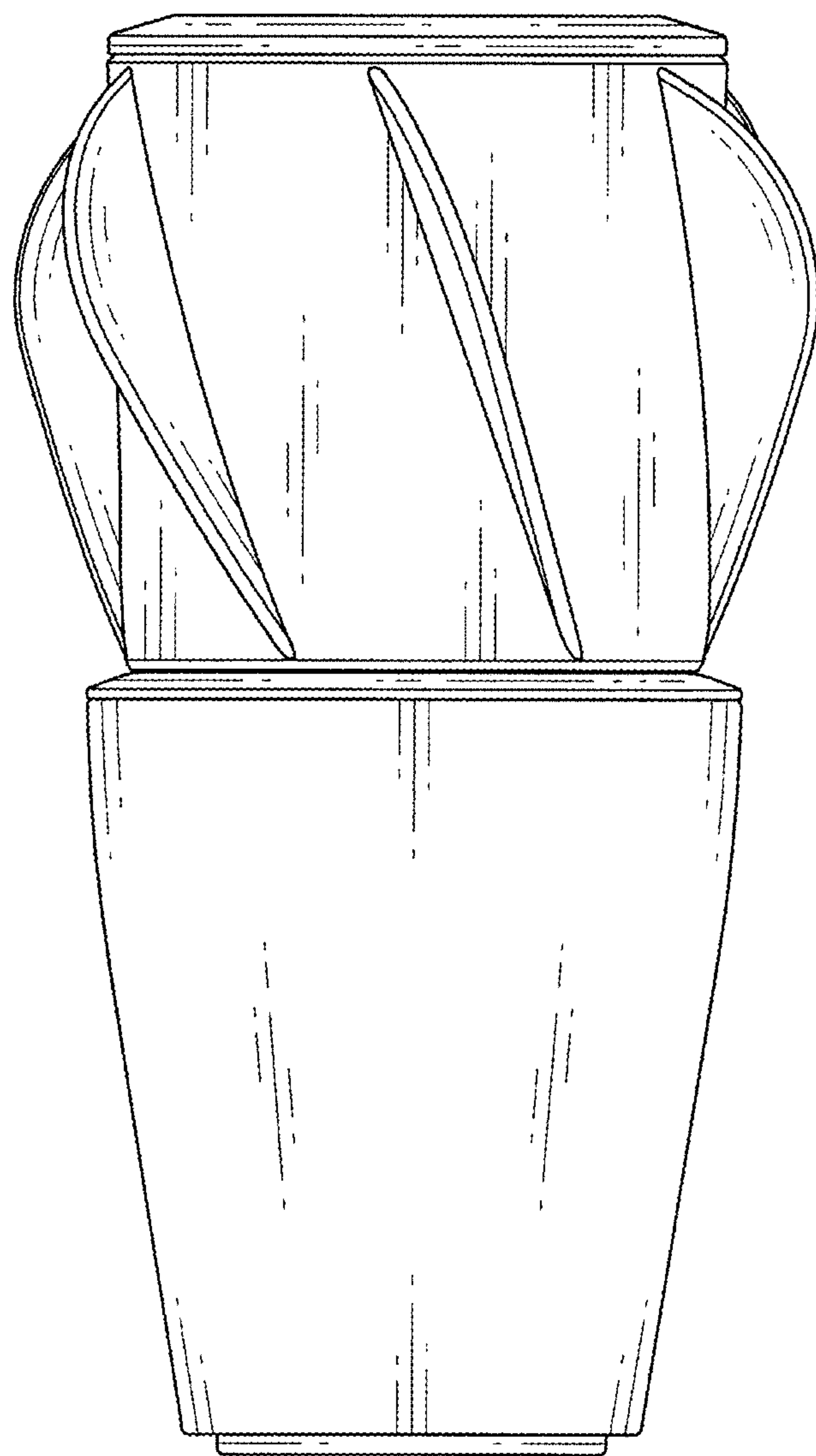




FIG. 5

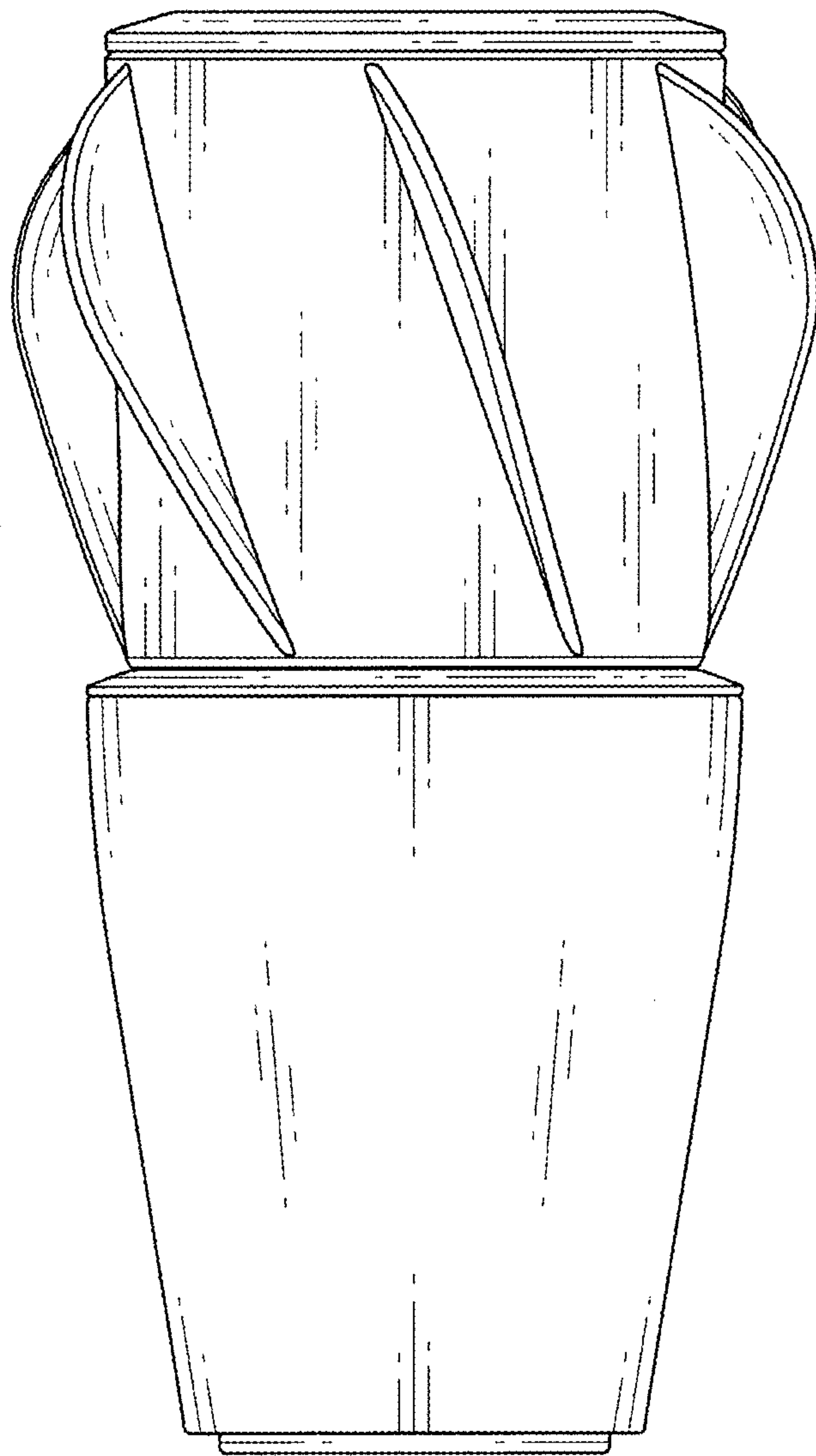


FIG. 6

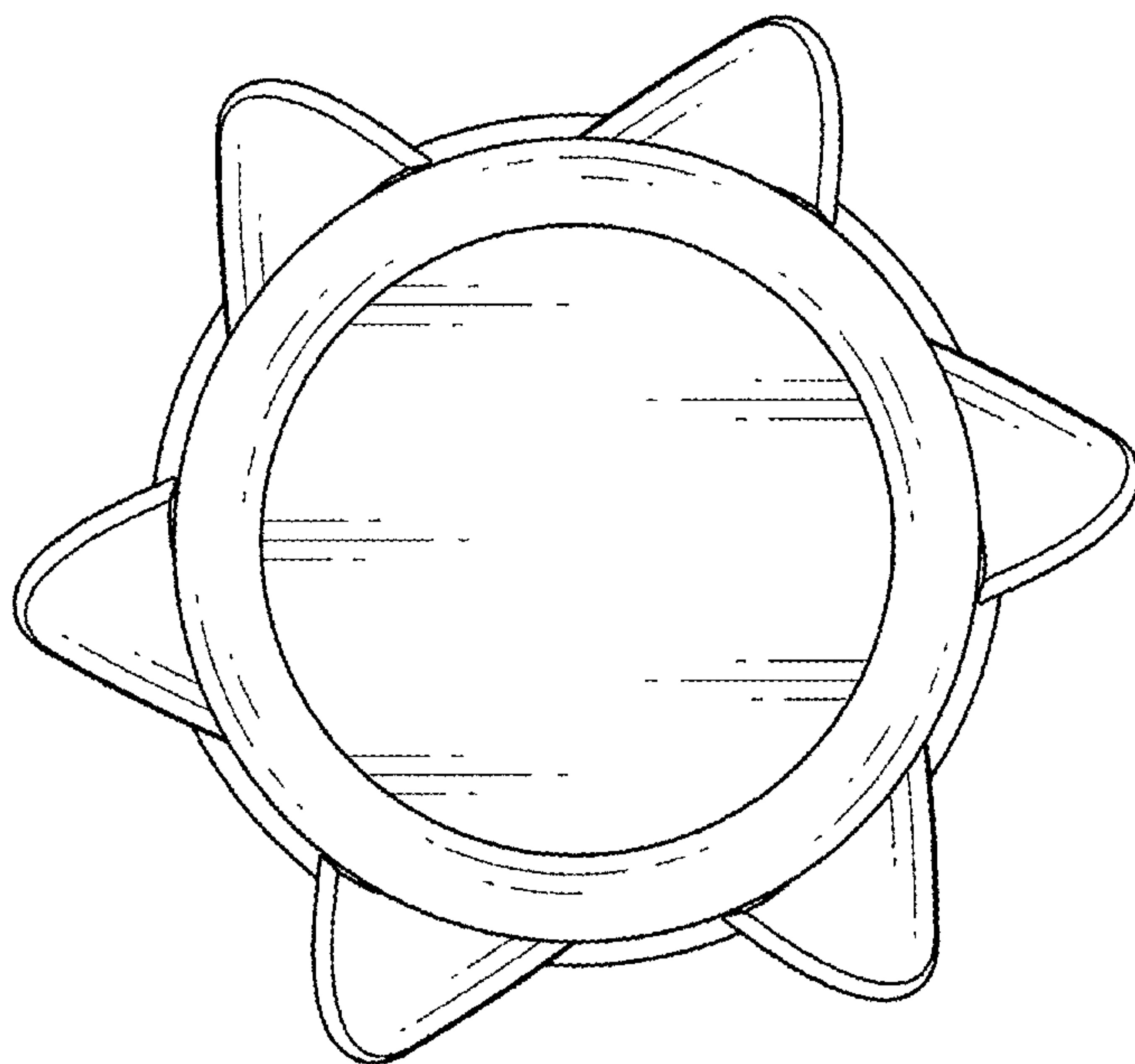


FIG. 7

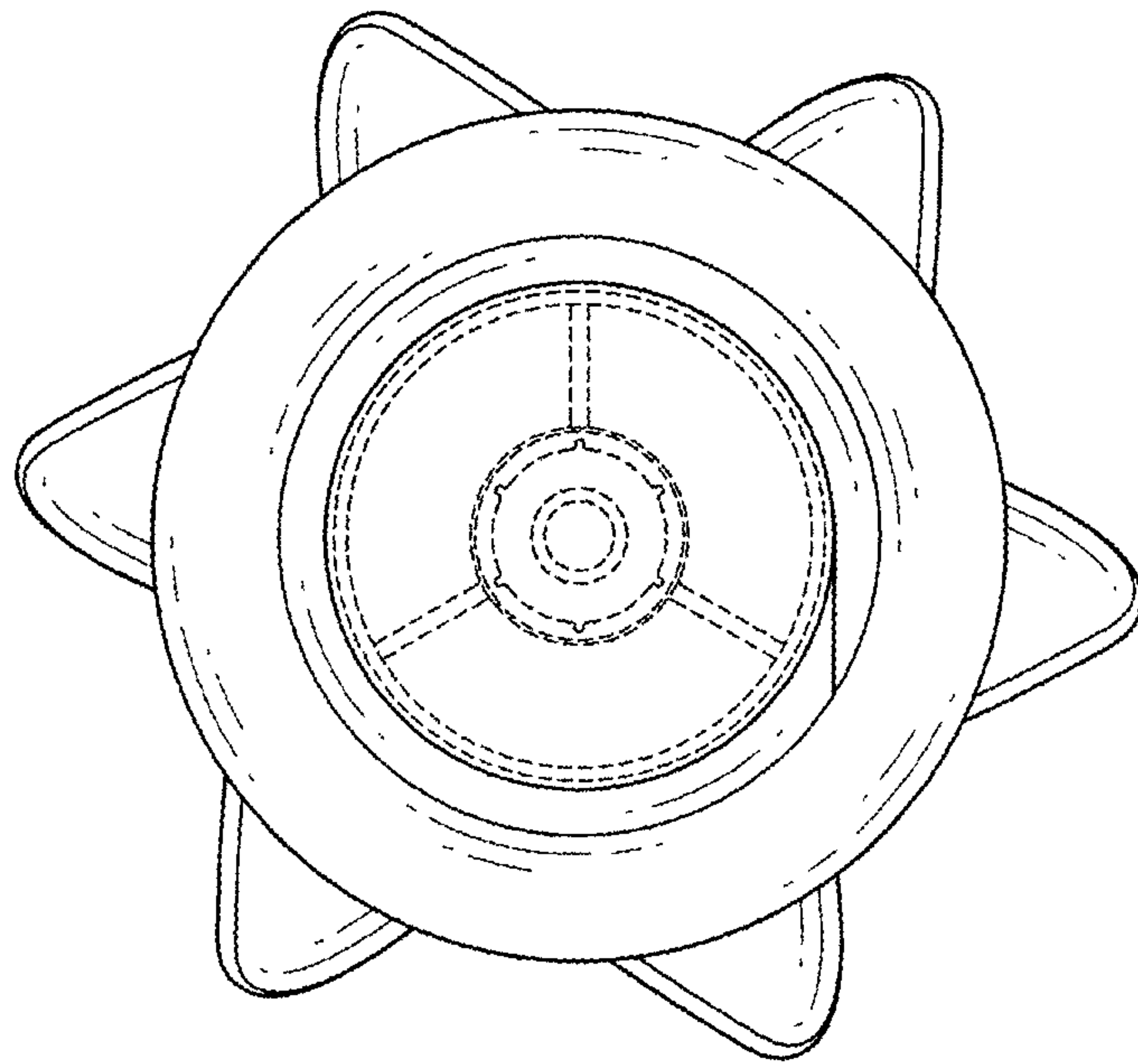




FIG. 8

