



US00D806222S

(12) **United States Design Patent** (10) **Patent No.:** **US D806,222 S**
Gobber et al. (45) **Date of Patent:** **** Dec. 26, 2017**

(54) **AIR FRESHENER**

CPC ... A61L 9/02; A61L 9/03; A61L 9/034; A61L 9/04; A61L 9/12; A61L 9/032; A61L 9/122; A61L 9/127; A61L 9/22

(71) Applicant: **ZOBELE HOLDING SPA**, Trento (IT)

See application file for complete search history.

(72) Inventors: **Cedric Gobber**, Barcelona (ES);
Joaquim Llorente Alonso, Barcelona (ES)

(56) **References Cited**

(73) Assignee: **Zobe Holding S.P.A.**, Trenton (IT)

U.S. PATENT DOCUMENTS

(**) Term: **15 Years**

(21) Appl. No.: **35/500,966**

D419,659 S *	1/2000	Yang	D23/366
D437,400 S *	2/2001	Chuan	D23/355
D507,341 S *	7/2005	Taylor	D23/368
D541,901 S *	5/2007	Baarman	D23/207
D544,594 S *	6/2007	Zobebe	D23/366
D767,109 S *	9/2016	Gobber	D23/368

(22) Filed: **Nov. 18, 2015**

* cited by examiner

(80) **Hague Agreement Data**

Int. Filing Date: **Nov. 18, 2015**

Primary Examiner — Keli L Hill

Int. Reg. No.: **DM/089563**

(74) *Attorney, Agent, or Firm* — Ostrolenk Faber LLP

Int. Reg. Date: **Nov. 18, 2015**

Int. Reg. Pub. Date: **May 20, 2016**

(57) **CLAIM**

The ornamental design for an air freshener, as shown and described.

(30) **Foreign Application Priority Data**

May 18, 2015 (EM) 002702340-0001

(51) **LOC (10) Cl.** **23-99**

(52) **U.S. Cl.**
USPC **D23/366**

(58) **Field of Classification Search**

USPC D23/355-369; D28/5, 6; 261/DIG. 17, 261/DIG. 42, DIG. 47, DIG. 55, DIG. 65, 261/DIG. 70, DIG. 88, DIG. 89; 392/386, 392/389, 394, 395, 403; 239/34, 44, 45, 239/53, 56

DESCRIPTION

1. Air freshener

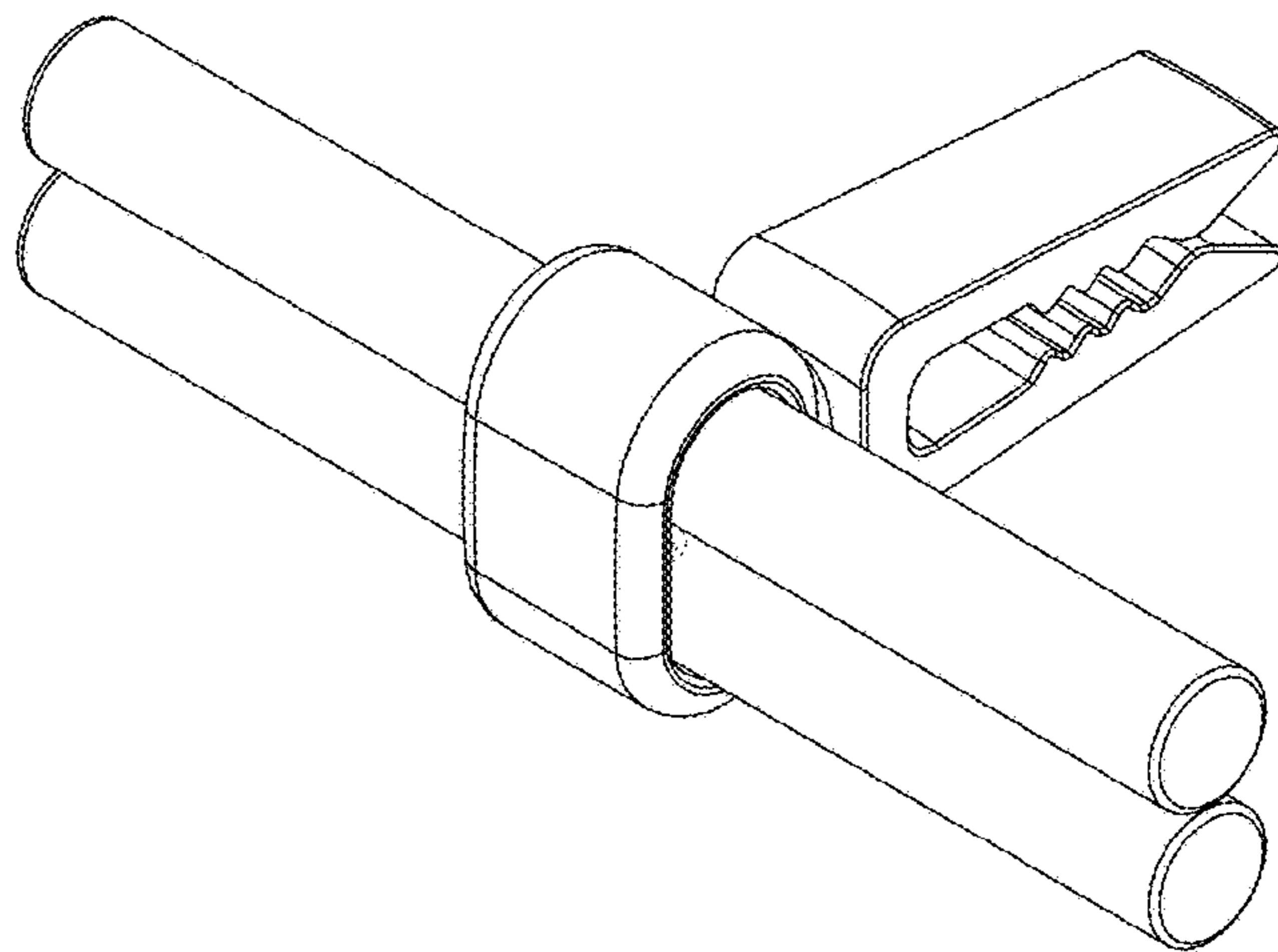
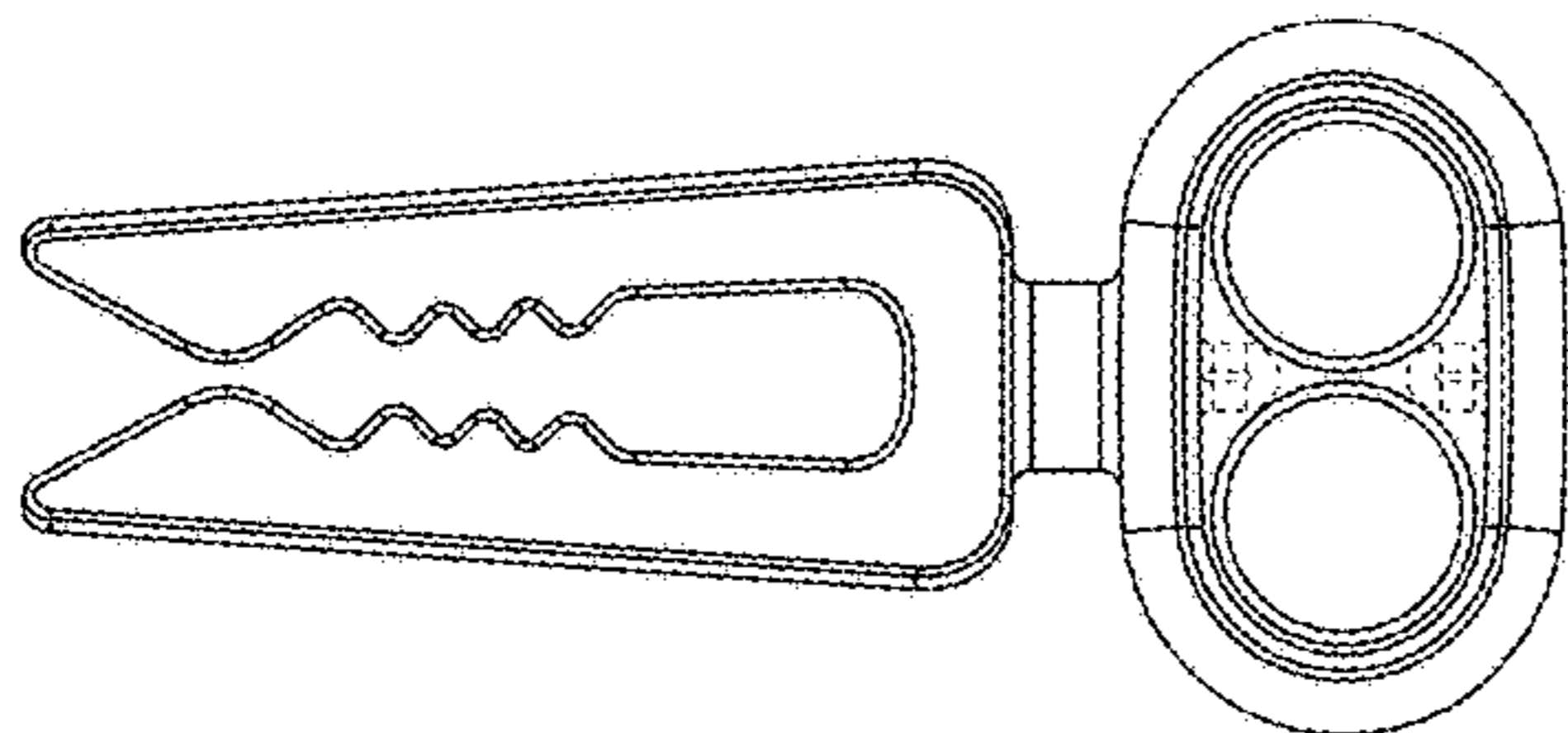
1.1 is a front elevation view of an air freshener showing our new design;

1.2 is a top plan view thereof;

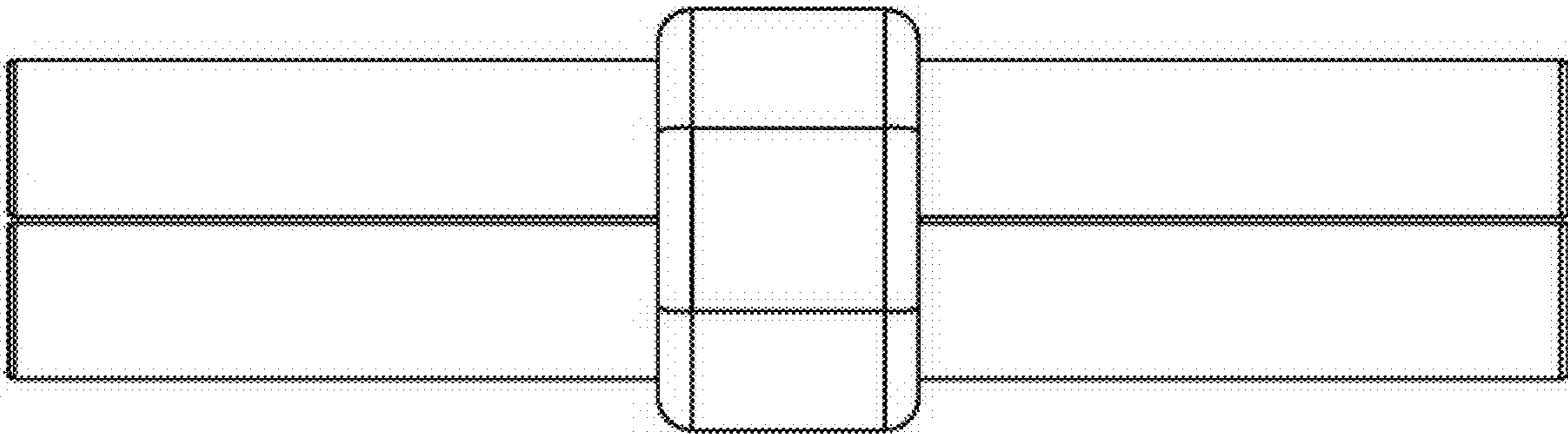
1.3 is a side elevation view hereof; and

1.4 is a top, front and opposite side perspective view thereof. The broken lines are used to show environmental features and form no part of the claimed design.

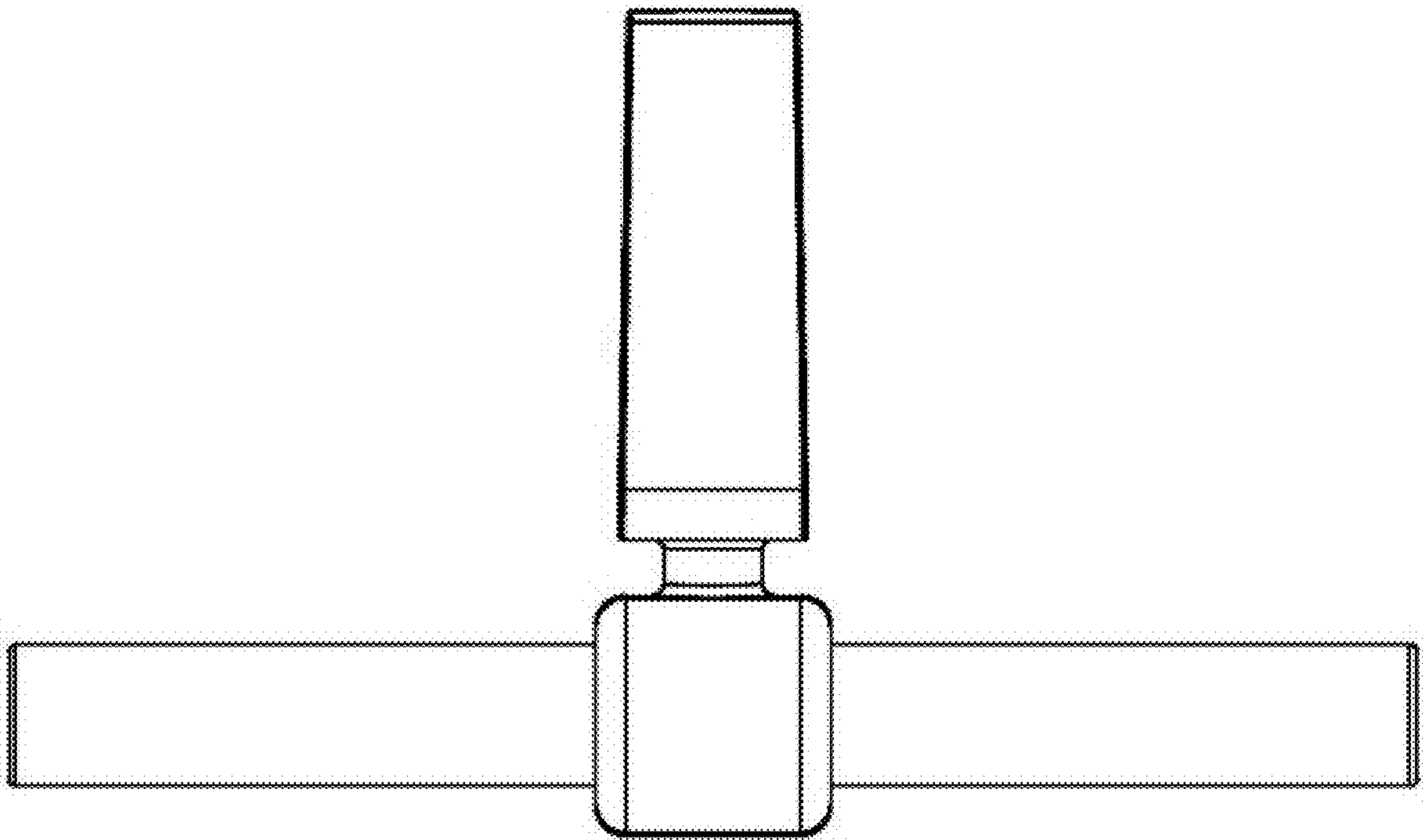
1 Claim, 4 Drawing Sheets



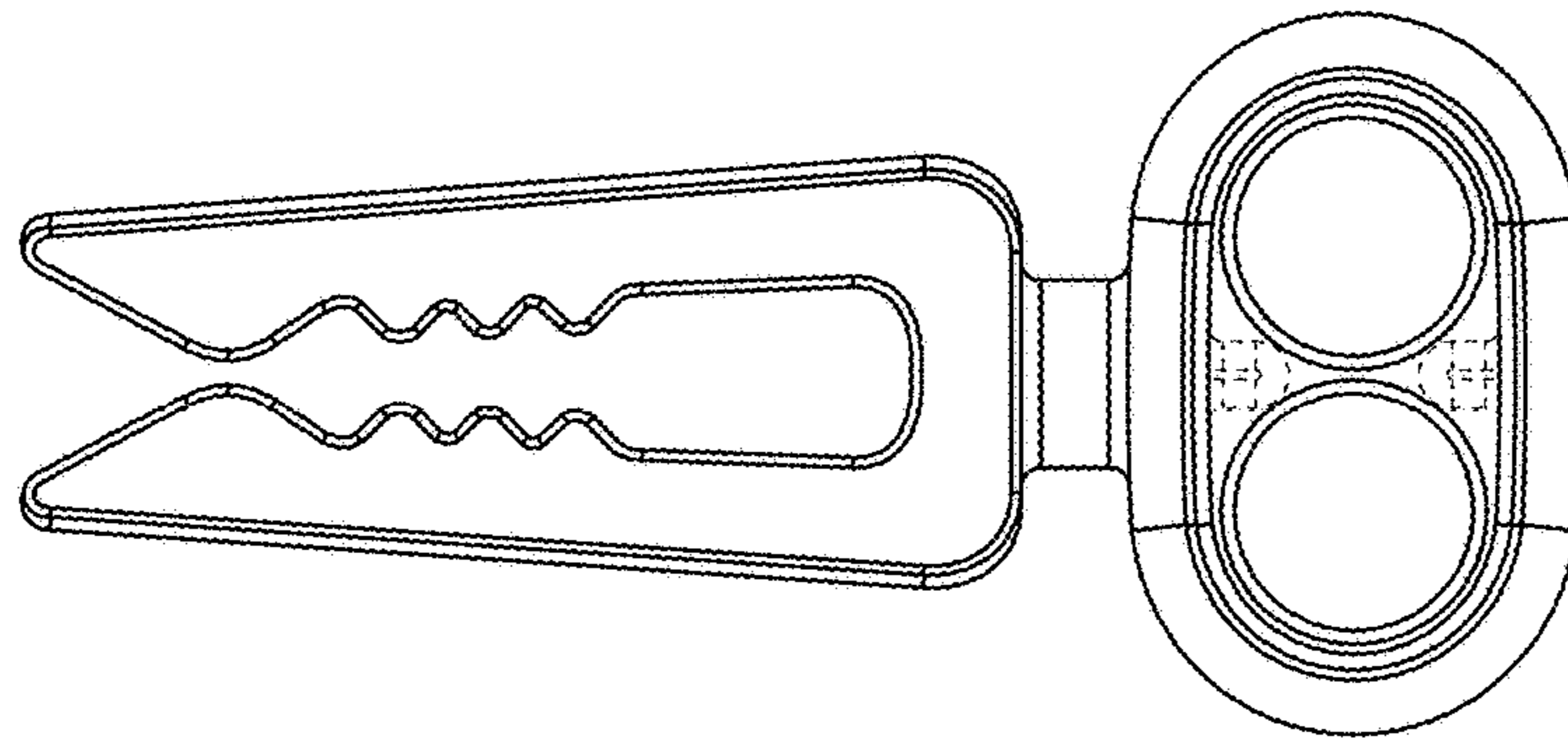
1.1



1.2



1.3



1.4

