



US00D806221S

(12) **United States Design Patent** (10) **Patent No.:** **US D806,221 S**
Gobber et al. (45) **Date of Patent:** **** Dec. 26, 2017**

(54) **AIR FRESHENER**

(71) Applicant: **ZOBELE HOLDING SPA**, Trento (IT)

(72) Inventors: **Cedric Gobber**, Barcelona (ES);
Joaquim Llorente Alonso, Barcelona (ES)

(73) Assignee: **ZOBELE HOLDING S.P.A.**, Trento (IT)

(**) Term: **15 Years**

(21) Appl. No.: **35/500,958**

(22) Filed: **Nov. 18, 2015**

(80) **Hague Agreement Data**

Int. Filing Date: **Nov. 18, 2015**
Int. Reg. No.: **DM/088276**
Int. Reg. Date: **Nov. 18, 2015**
Int. Reg. Pub. Date: **May 20, 2016**

(30) **Foreign Application Priority Data**

May 18, 2015 (EM) 002702340-0007

(51) **LOC (10) Cl.** **23-99**

(52) **U.S. Cl.**
USPC **D23/366**

(58) **Field of Classification Search**
USPC D23/355-369; D28/5, 6; 261/DIG. 17,
261/DIG. 42, DIG. 47, DIG. 55, DIG. 65,
261/DIG. 70, DIG. 88, DIG. 89; 392/386,
392/389, 394, 395, 403; 239/34, 44, 45,
239/53, 56

CPC ... A61L 9/02; A61L 9/03; A61L 9/034; A61L
9/04; A61L 9/12; A61L 9/032; A61L
9/122; A61L 9/127; A61L 9/22

See application file for complete search history.

(56) **References Cited**

U.S. PATENT DOCUMENTS

D684,675	S *	6/2013	Irvin	D23/366
8,460,609	B1 *	6/2013	Wheatley	A61L 9/042 422/120
D767,110	S *	9/2016	D'Amico	D23/368
D783,137	S *	4/2017	Kivekas	D23/363
D783,138	S *	4/2017	Kivekas	D23/363
2011/0108632	A1 *	5/2011	Brandenburg	A61L 9/12 239/34
2014/0113538	A1 *	4/2014	Irvin	A61L 9/12 454/156

* cited by examiner

Primary Examiner — Keli L Hill

(74) *Attorney, Agent, or Firm* — Ostrolenk Faber LLP

(57) **CLAIM**

The ornamental design for an air freshener, as shown and described.

DESCRIPTION

1. Air Freshener

1.1 is a side elevation view of an air freshener showing our new design;

1.2 is a bottom plan view thereof;

1.3 is a bottom, rear and opposite side perspective view thereof;

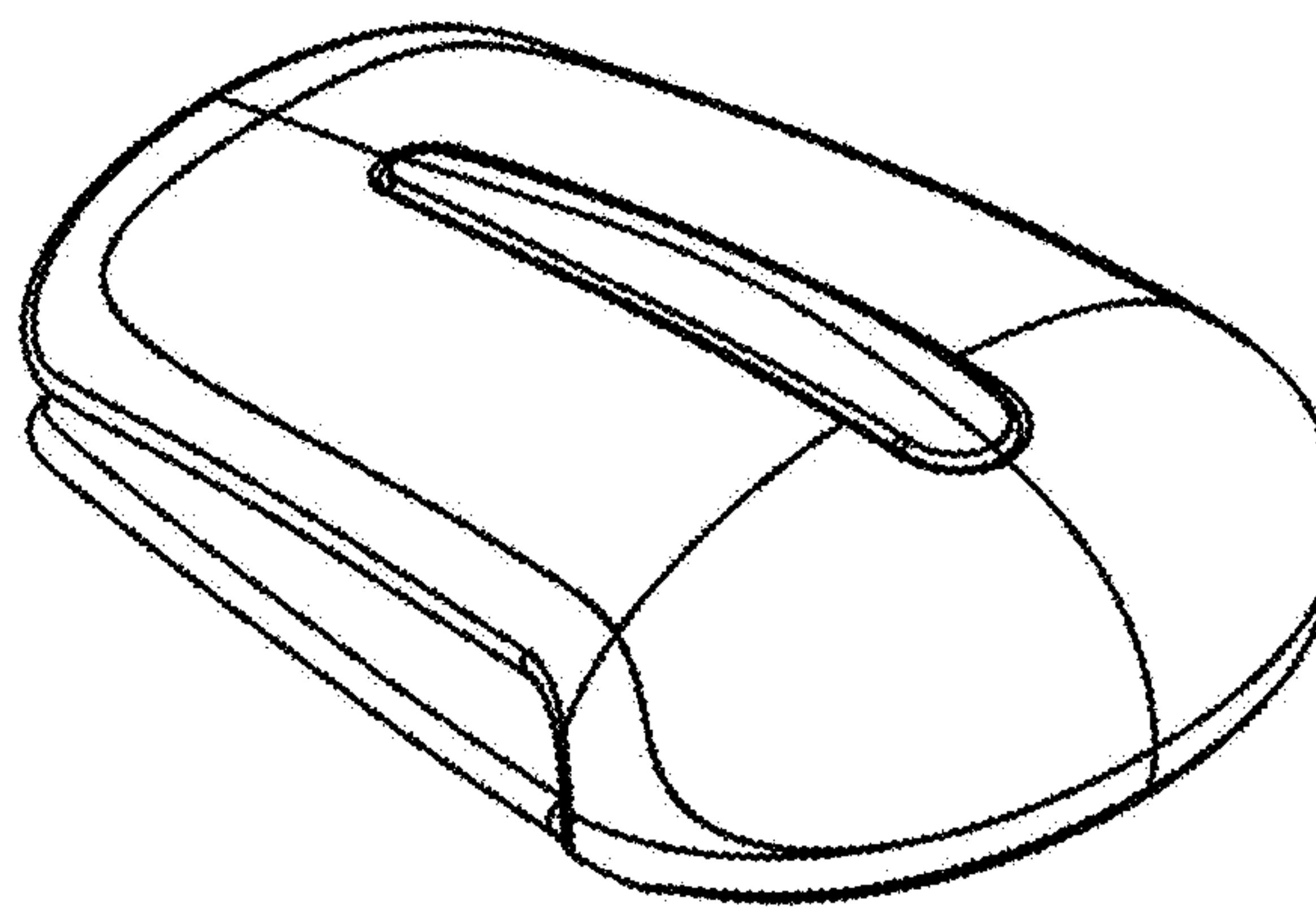
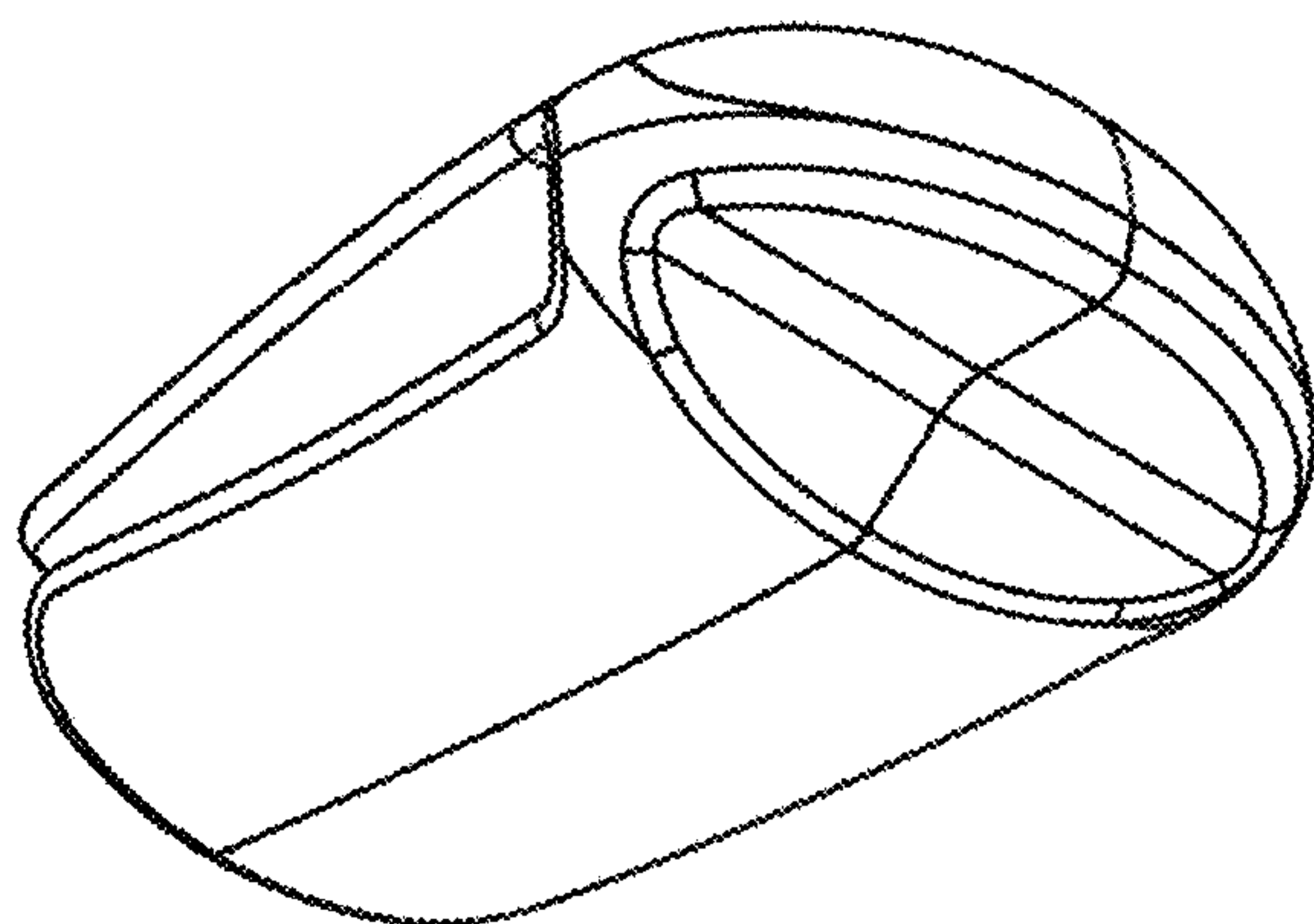
1.4 is a top, rear and opposite side perspective view thereof;

1.5 is a rear elevation view thereof; and

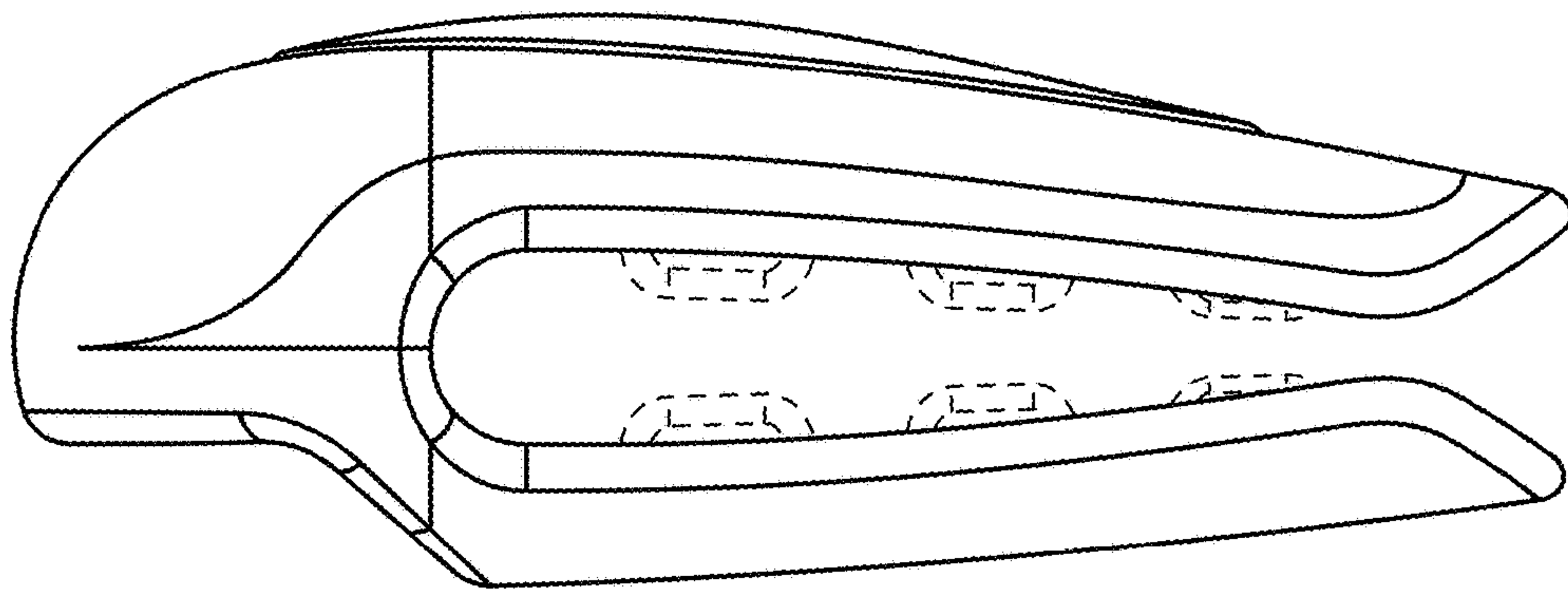
1.6 is a top plan view thereof.

The broken lines are used to show environmental features and form no part of the claimed design.

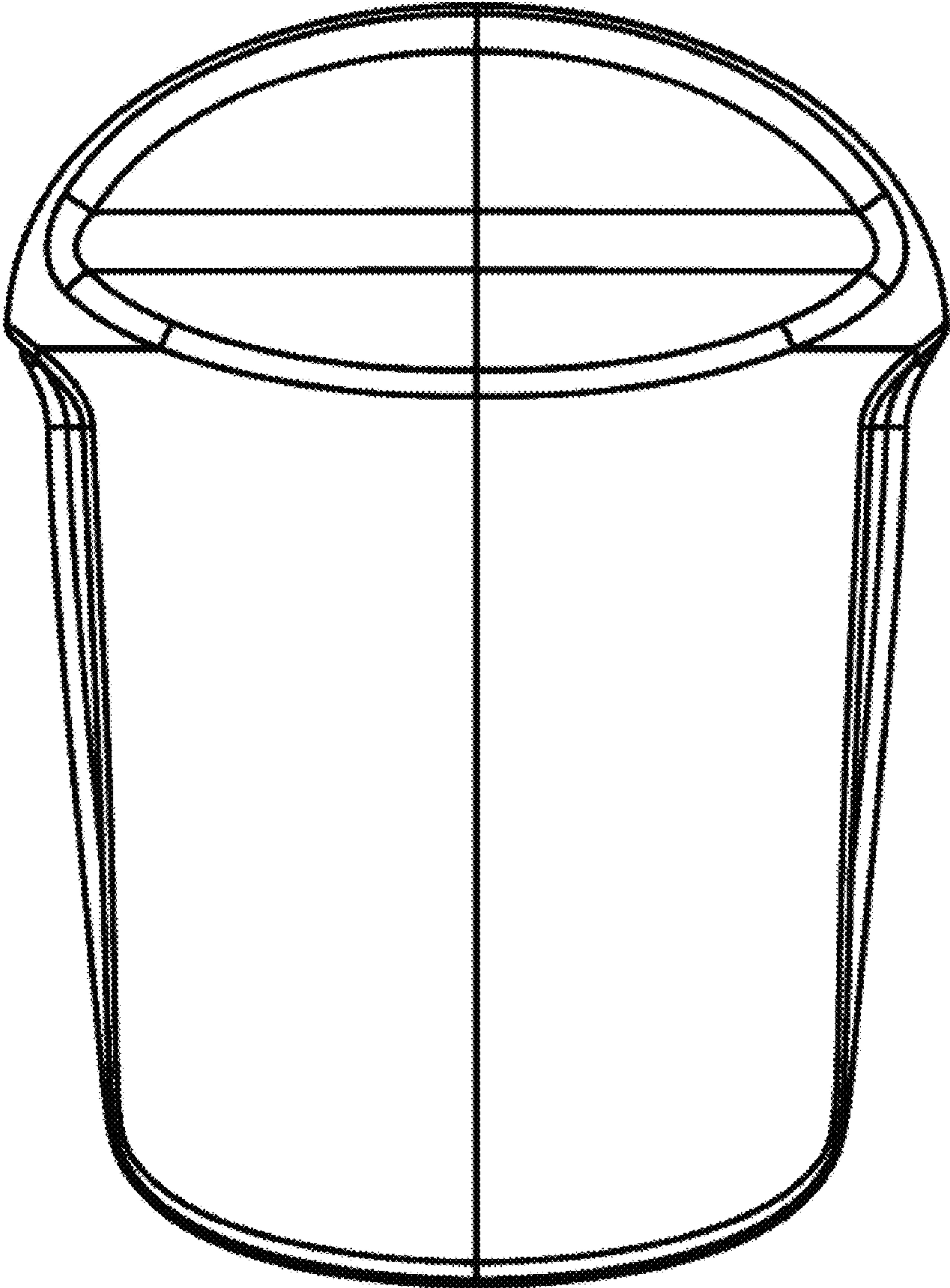
1 Claim, 6 Drawing Sheets



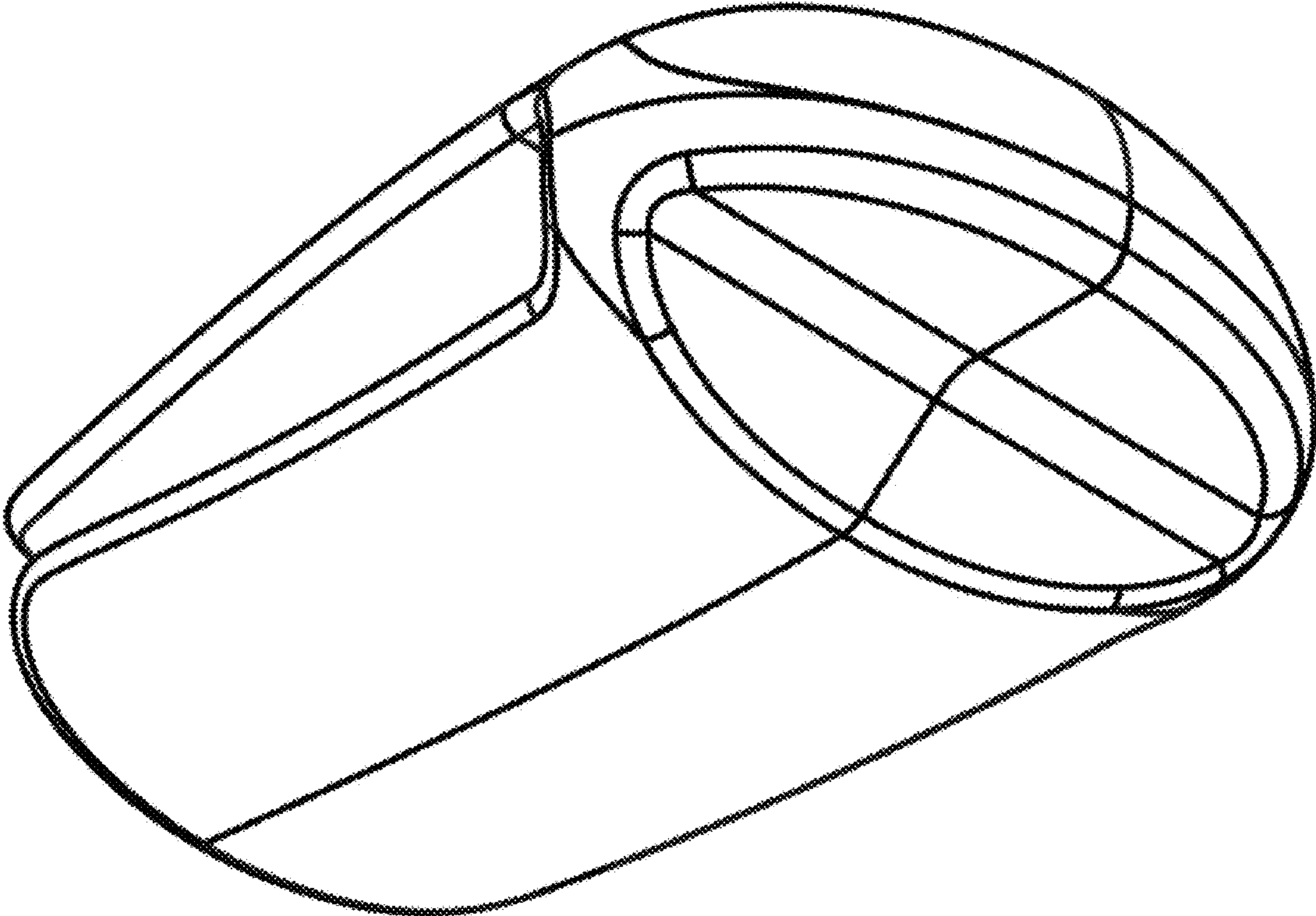
1.1



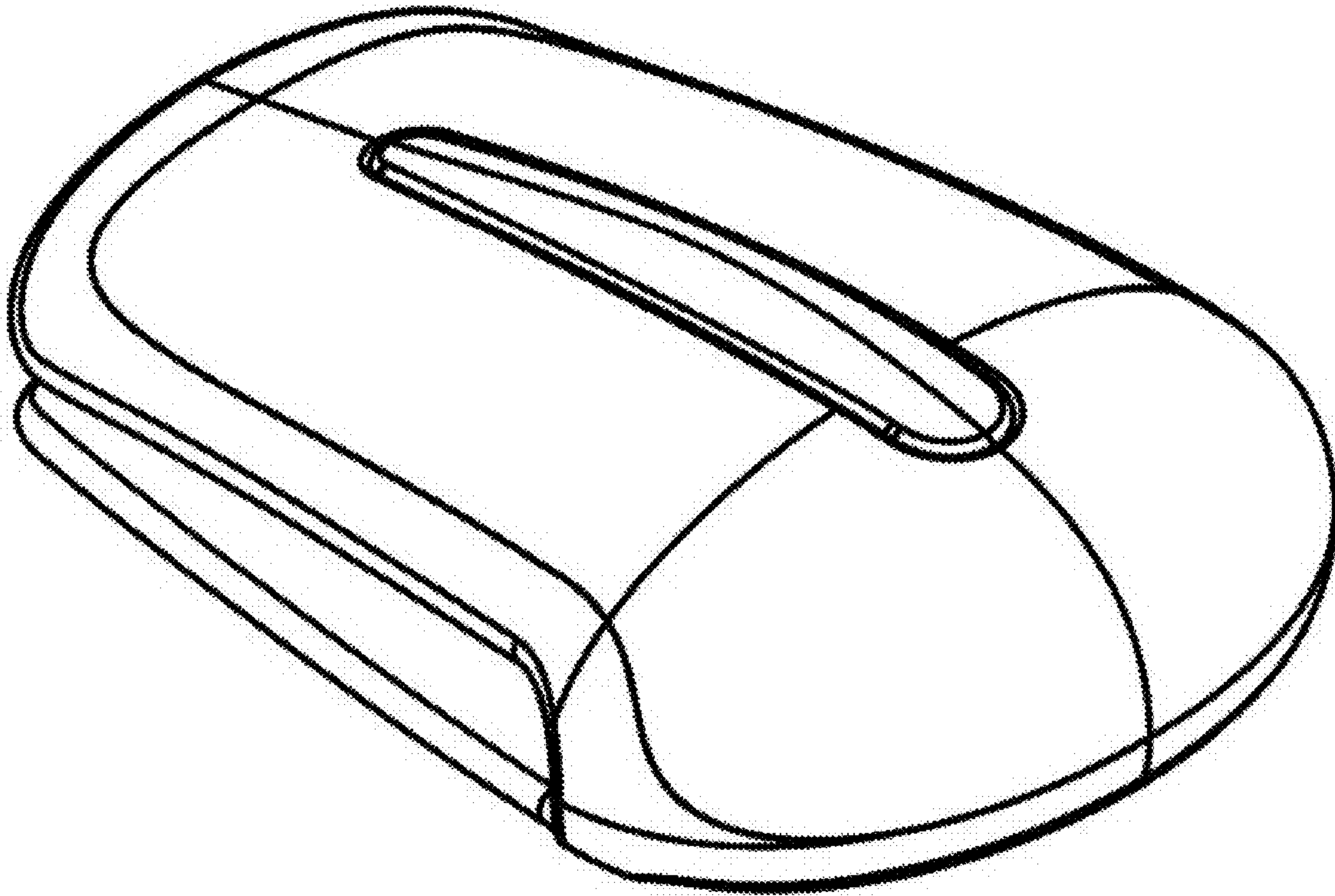
1.2



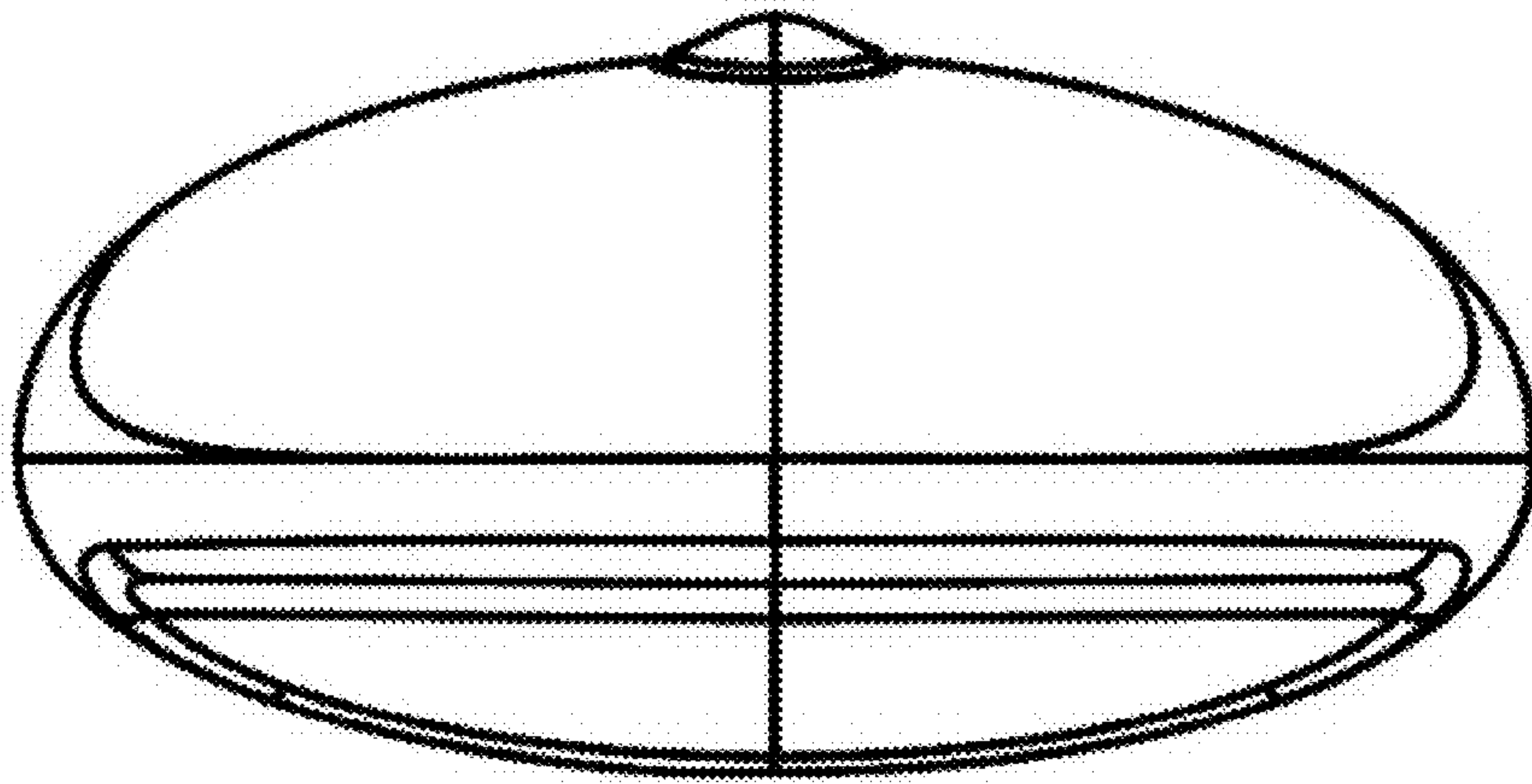
1.3



1.4



1.5



1.6

