



US00D806217S

(12) **United States Design Patent** (10) **Patent No.:** **US D806,217 S**  
**Hui** (45) **Date of Patent:** **\*\* Dec. 26, 2017**

- (54) **HUMIDIFIER**
- (71) Applicant: **E. MISHAN & SONS, INC.**, New York, NY (US)
- (72) Inventor: **Chen Hui**, Jiangmen (CN)
- (73) Assignee: **E. Mishan & Sons, Inc.**, New York, NY (US)
- (\*\*) Term: **15 Years**
- (21) Appl. No.: **29/579,189**
- (22) Filed: **Sep. 28, 2016**
- (51) **LOC (10) Cl.** ..... **23-04**
- (52) **U.S. Cl.**  
USPC ..... **D23/358**
- (58) **Field of Classification Search**  
USPC ..... D23/300, 314, 325, 332-336, 342, 351, D23/352, 355-369, 370, 386-388; D14/168; D9/434-437, 443-455  
CPC .... A62B 21/00; B01D 46/0002; B01D 46/10; F02M 35/04; F24F 13/20  
See application file for complete search history.

- D553,983 S \* 10/2007 Bunce ..... D9/447
- D598,527 S \* 8/2009 Fitsch ..... D23/356
- D626,837 S \* 11/2010 Meyers ..... D9/443
- D635,024 S \* 3/2011 Stolle ..... D9/435
- D635,026 S \* 3/2011 Stolle ..... D9/435
- D717,651 S \* 11/2014 Marina ..... D9/454
- D745,827 S \* 12/2015 Sorensen ..... D7/392.1
- D776,536 S \* 1/2017 Emoff ..... D9/455

\* cited by examiner

*Primary Examiner* — Robert M Spear  
*Assistant Examiner* — John Voytek  
(74) *Attorney, Agent, or Firm* — Notaro, Michalos & Zaccaria P.C.

(57) **CLAIM**

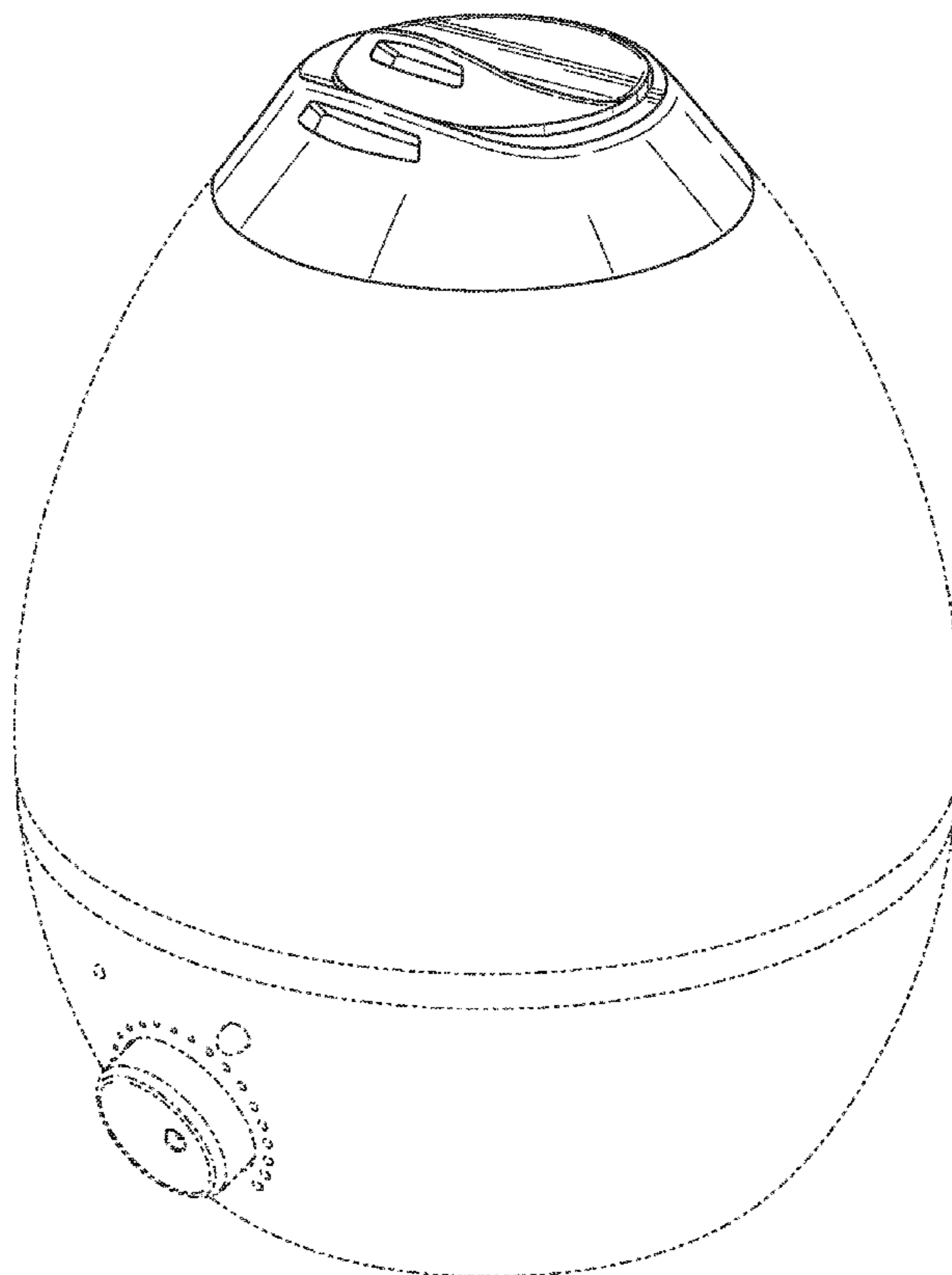
The ornamental design for a humidifier, as shown and described.

**DESCRIPTION**

FIG. 1 is a perspective view of a humidifier showing my design therefor; of my design;  
FIG. 2 is a front elevational view thereof;  
FIG. 3 is a rear elevational view thereof;  
FIG. 4 is a right side elevational view thereof;  
FIG. 5 is a left side elevational view thereof;  
FIG. 6 is a top plan view thereof; and,  
FIG. 7 is a bottom plan view thereof.  
The broken lines form no part of the claimed design.

**1 Claim, 7 Drawing Sheets**

- (56) **References Cited**  
U.S. PATENT DOCUMENTS  
D466,015 S \* 11/2002 Faucon ..... D9/435  
D483,458 S \* 12/2003 Huang ..... D23/356



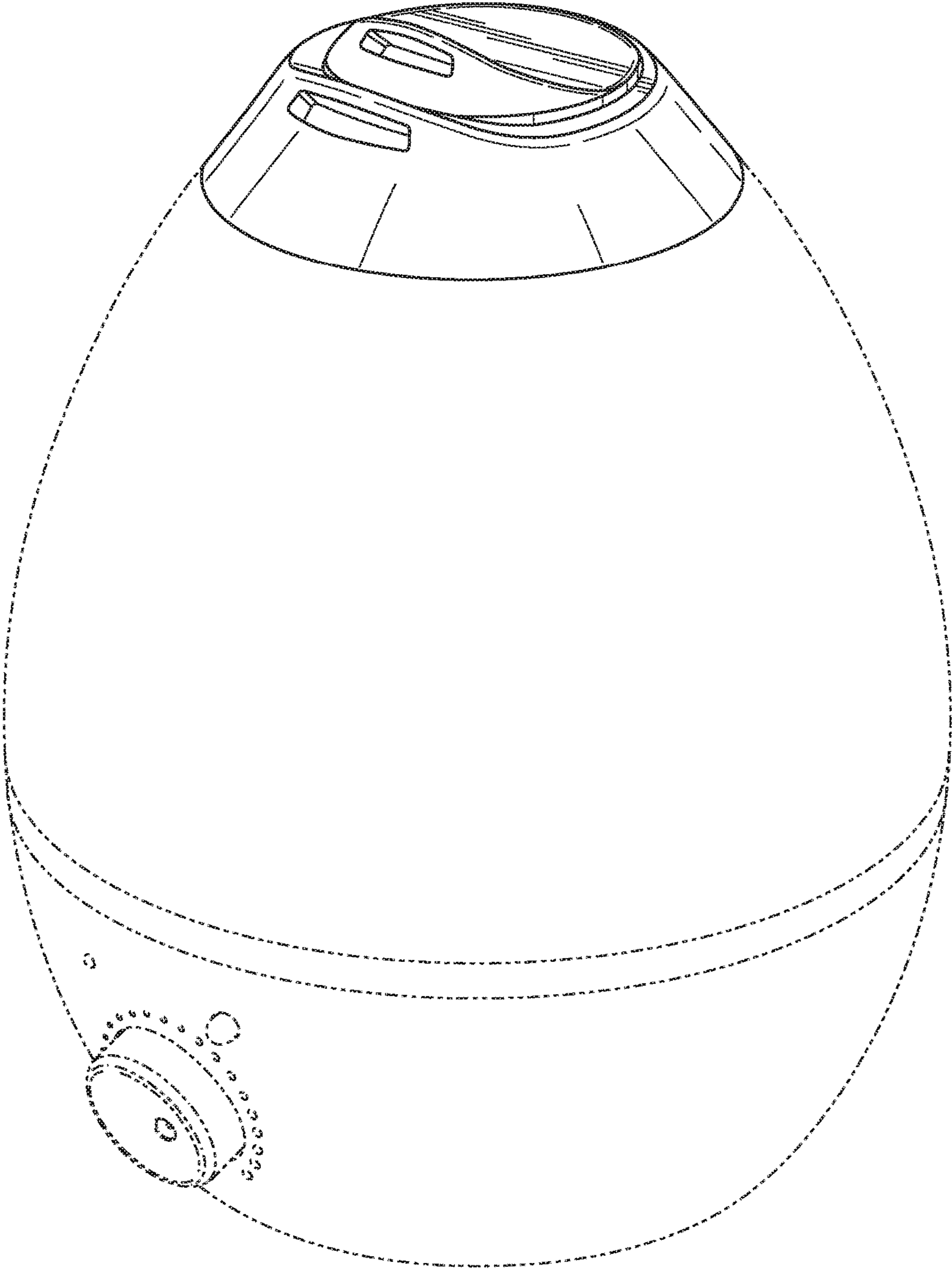


FIG. 1

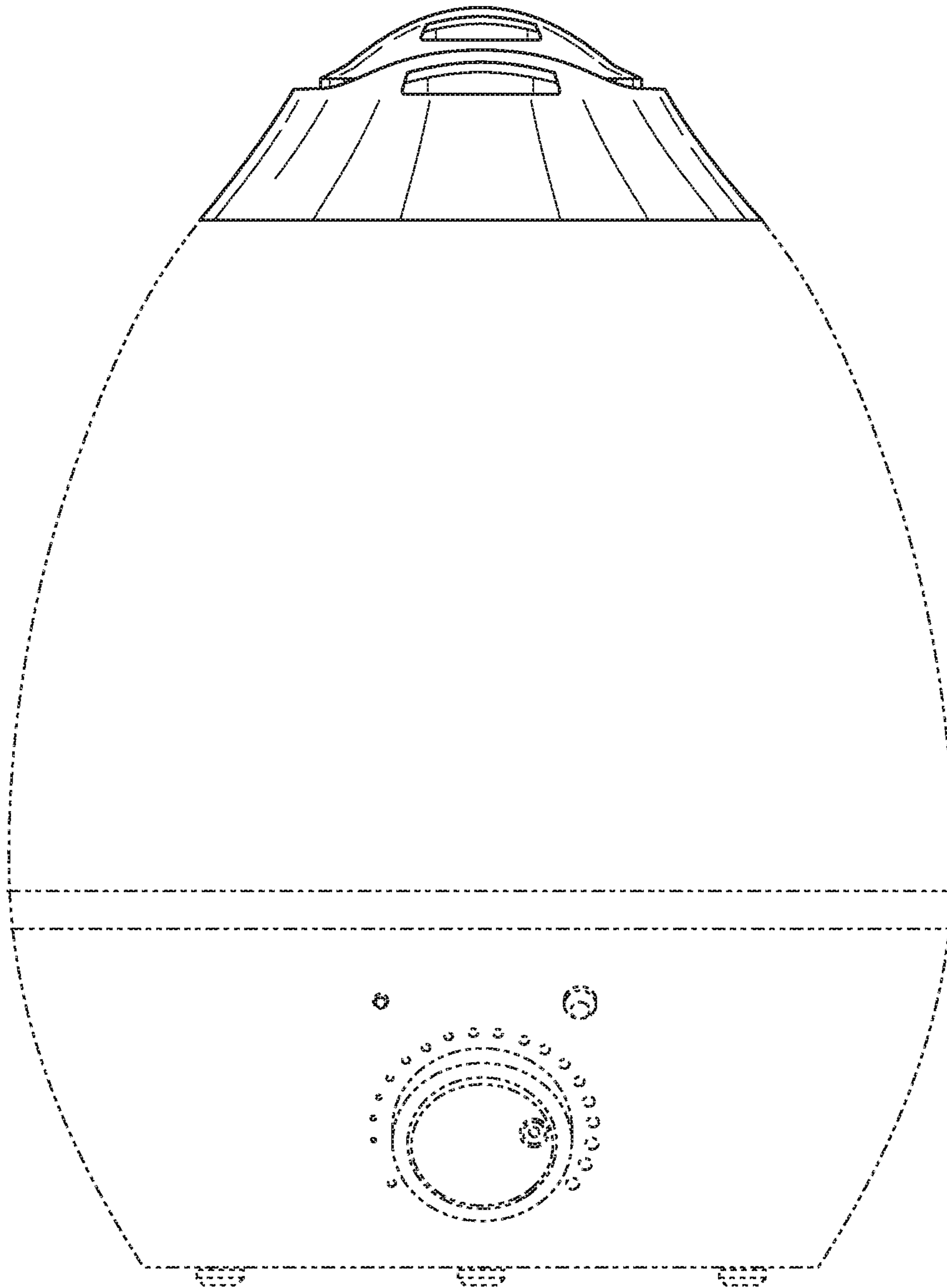


FIG. 2

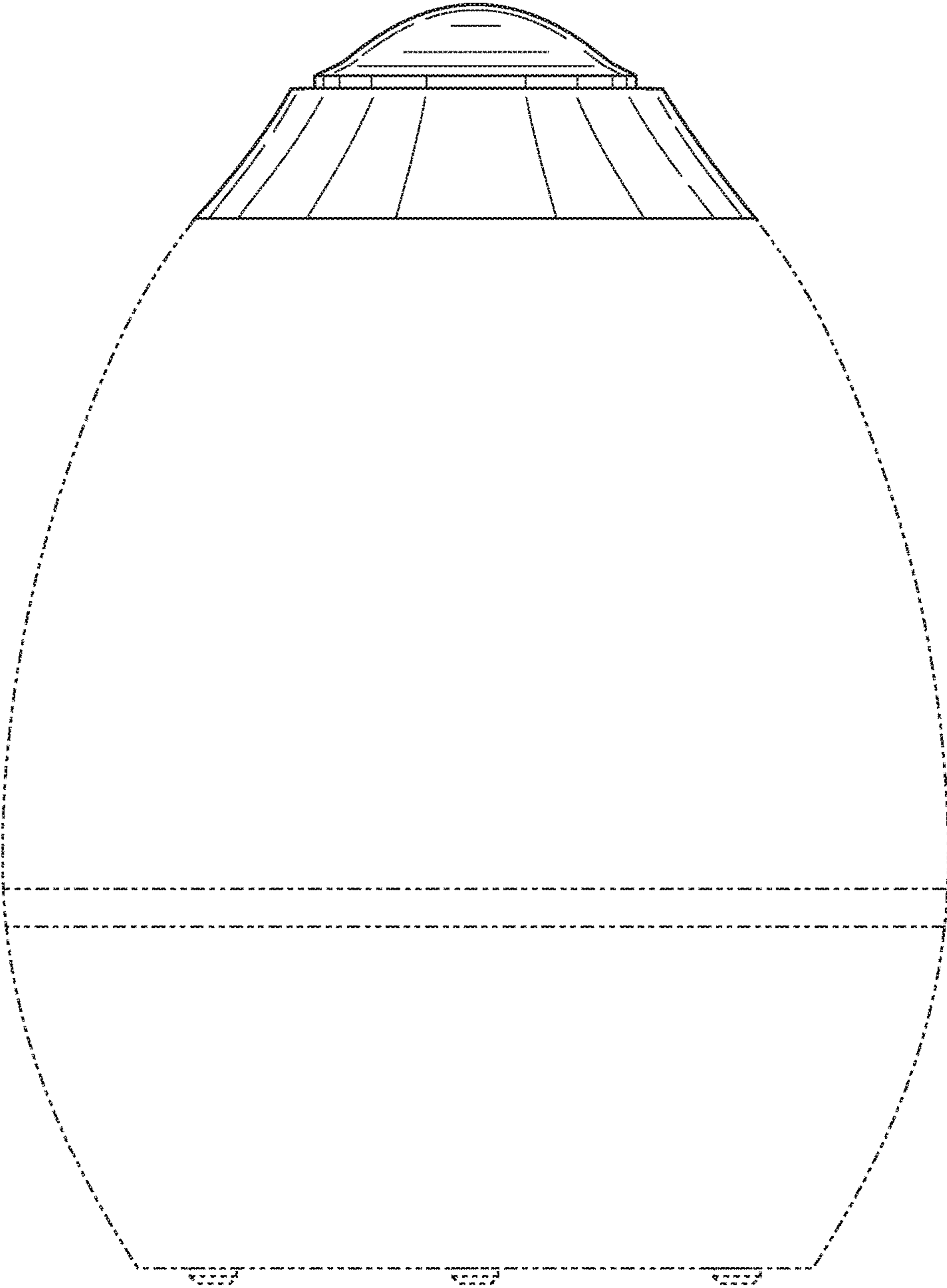


FIG. 3

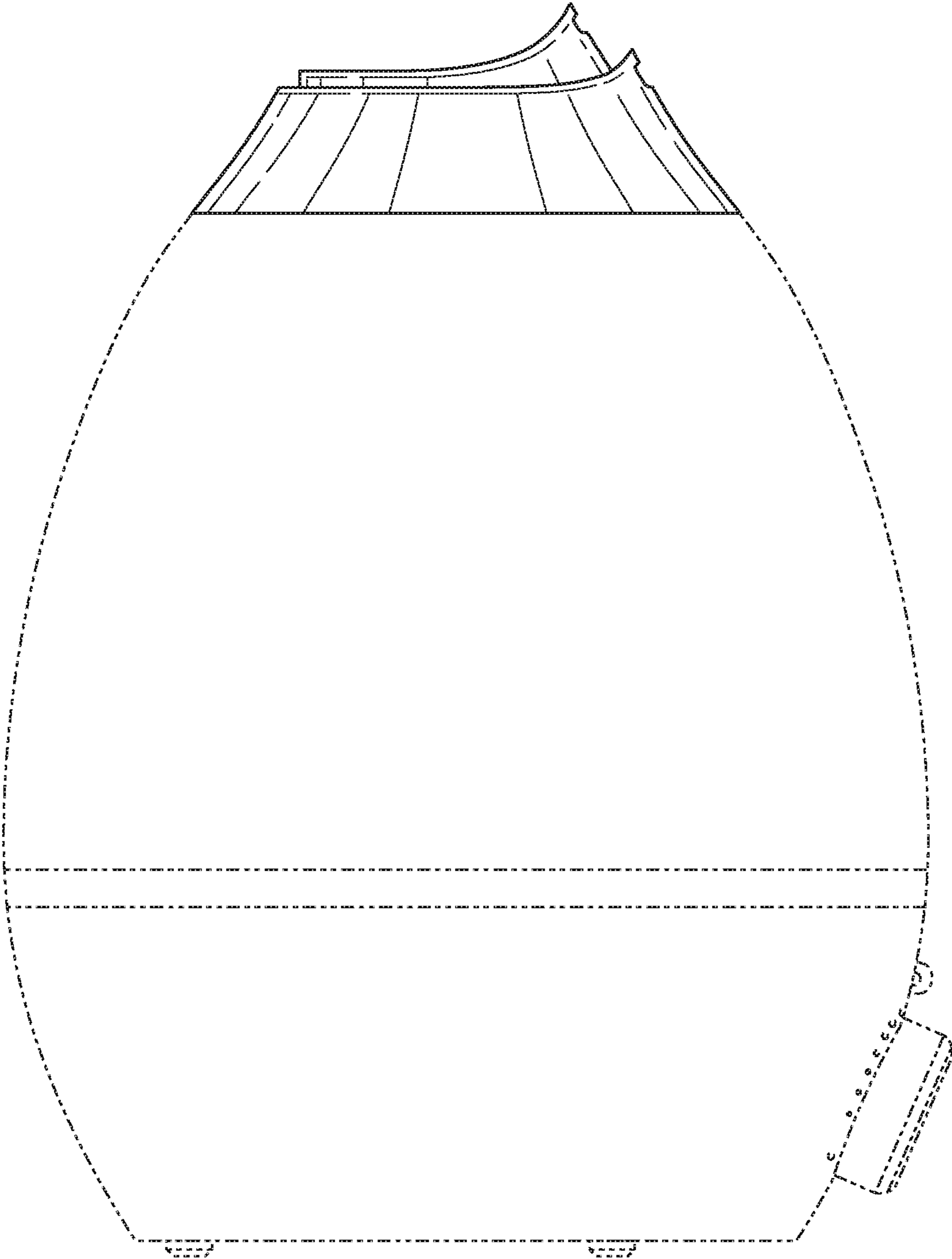


FIG. 4

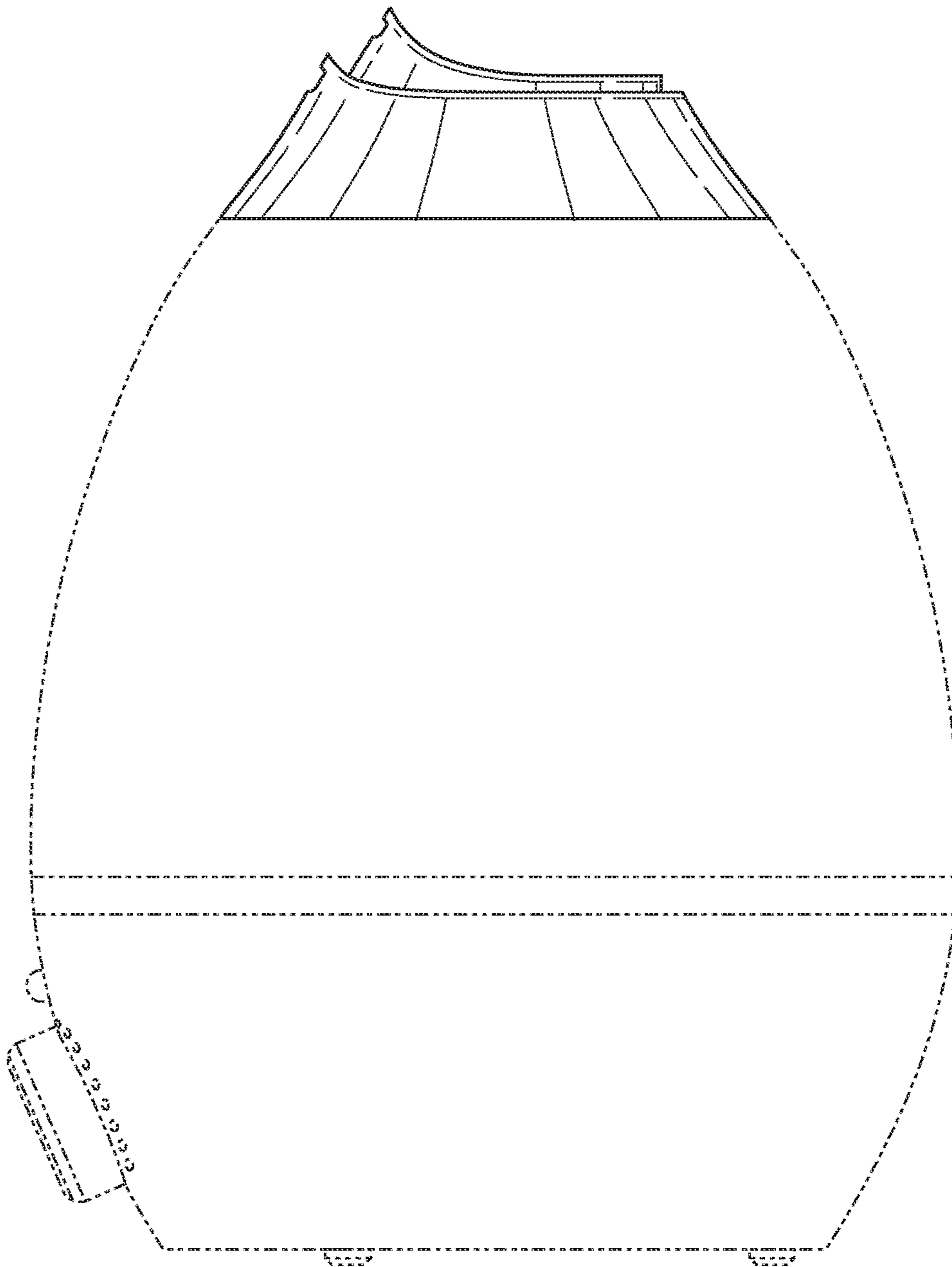


FIG. 5

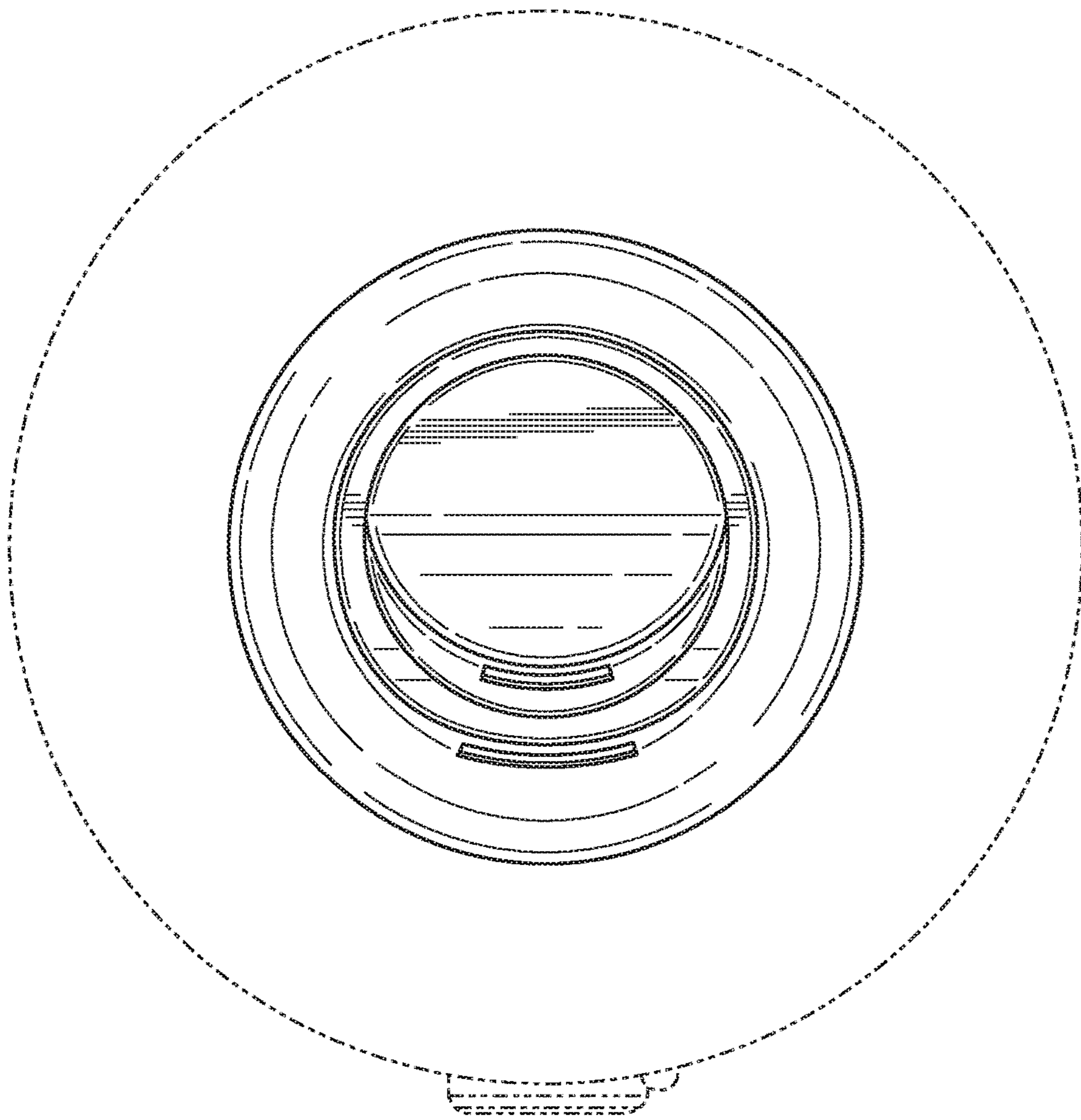


FIG. 6

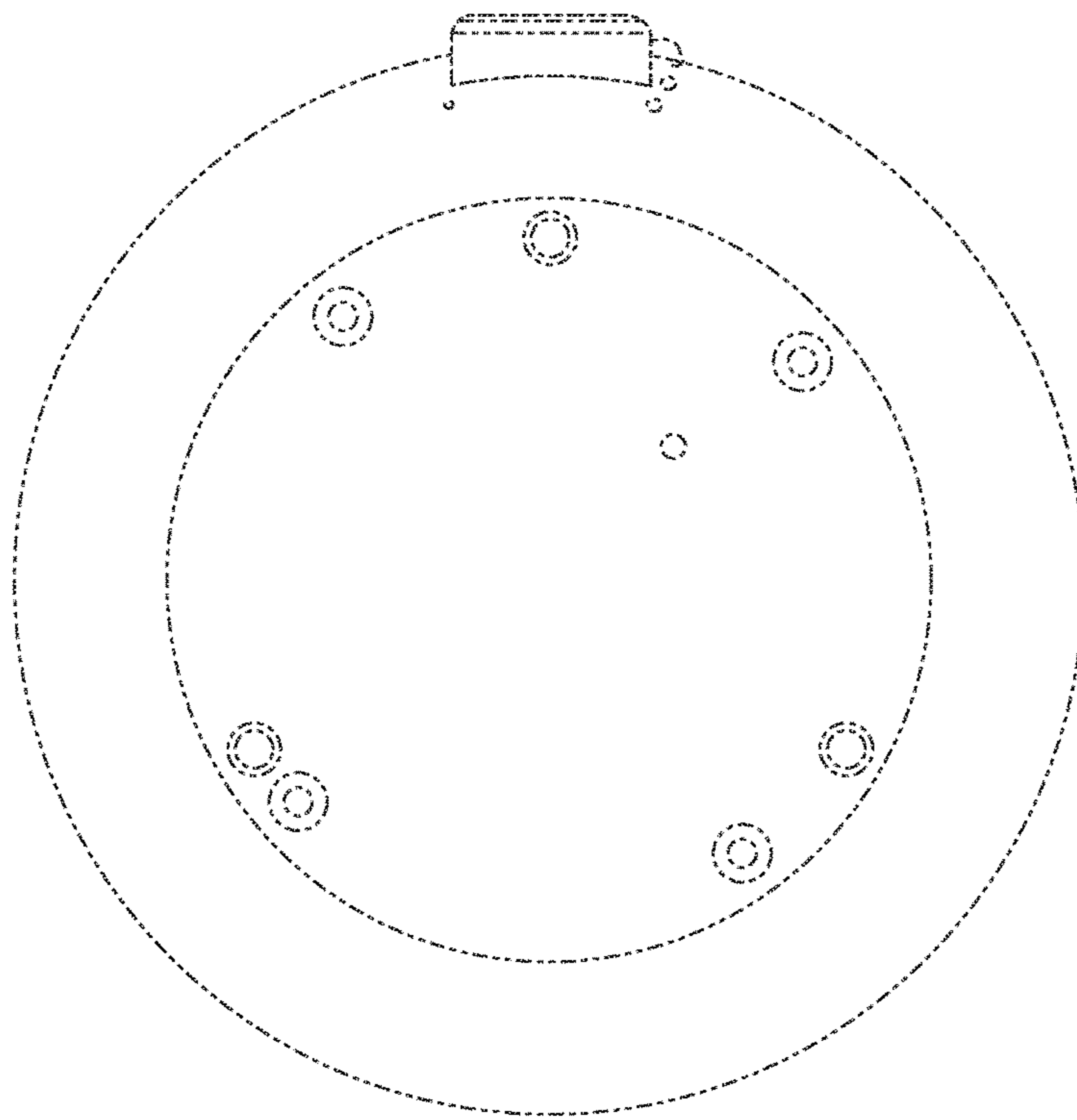


FIG. 7