



US00D806215S

(12) **United States Design Patent** (10) **Patent No.:** **US D806,215 S**  
**Stevenson et al.** (45) **Date of Patent:** **\*\* Dec. 26, 2017**

- (54) **VANITY**
- (71) Applicant: **KOHLER MIRA LIMITED**,  
Gloucestershire (GB)
- (72) Inventors: **Robert K. Stevenson**, London (GB);  
**Alexander M. Muspratt-Williams**,  
London (GB); **Mimi Jiang**, Shanghai  
(CN)
- (73) Assignee: **KOHLER MIRA LIMITED** (GB)
- (\*\*) Term: **15 Years**
- (21) Appl. No.: **29/566,512**
- (22) Filed: **May 31, 2016**
- (51) **LOC (10) Cl.** ..... **23-01**
- (52) **U.S. Cl.**  
USPC ..... **D23/293.1**
- (58) **Field of Classification Search**  
USPC ..... D23/284-293.1, 294, 303, 308  
CPC ..... A47K 1/04; A47B 77/06; A47J 47/20  
See application file for complete search history.

(56) **References Cited**

**U.S. PATENT DOCUMENTS**

D191,432 S	*	10/1961	Chapman	.....	D23/286
D274,642 S		7/1984	Doman		
D292,732 S		11/1987	Gates et al.		
D293,930 S		1/1988	Reid		
D295,669 S		5/1988	Kolada		
D295,670 S		5/1988	Reid et al.		
D328,338 S		7/1992	Ragonot		
D387,857 S		12/1997	McKeone		
D391,353 S		2/1998	McKeone		
D407,470 S		3/1999	McKeone		
D415,261 S		10/1999	Thomas		
D434,124 S		11/2000	McKeone		
D499,797 S		12/2004	Bates		
D504,170 S		4/2005	Kergoet		
D509,574 S		9/2005	Sutopo		

D509,887 S		9/2005	Sutopo		
D538,410 S		3/2007	Chensesseau		
D588,239 S		3/2009	Slothower		
D588,242 S	*	3/2009	Hanna	.....	D23/284
D598,990 S		8/2009	Duringer et al.		
D599,448 S		9/2009	Duringer et al.		
D611,128 S	*	3/2010	Soulier	.....	D23/293.1
D624,992 S	*	10/2010	Maitre	.....	D23/284
D632,766 S	*	2/2011	Matsuura	.....	D23/284
D634,409 S	*	3/2011	Palomba	.....	D23/284
D634,410 S	*	3/2011	Palomba	.....	D23/284

(Continued)

*Primary Examiner* — Robert M Spear

*Assistant Examiner* — John Voytek

(74) *Attorney, Agent, or Firm* — Foley & Lardner LLP

(57) **CLAIM**

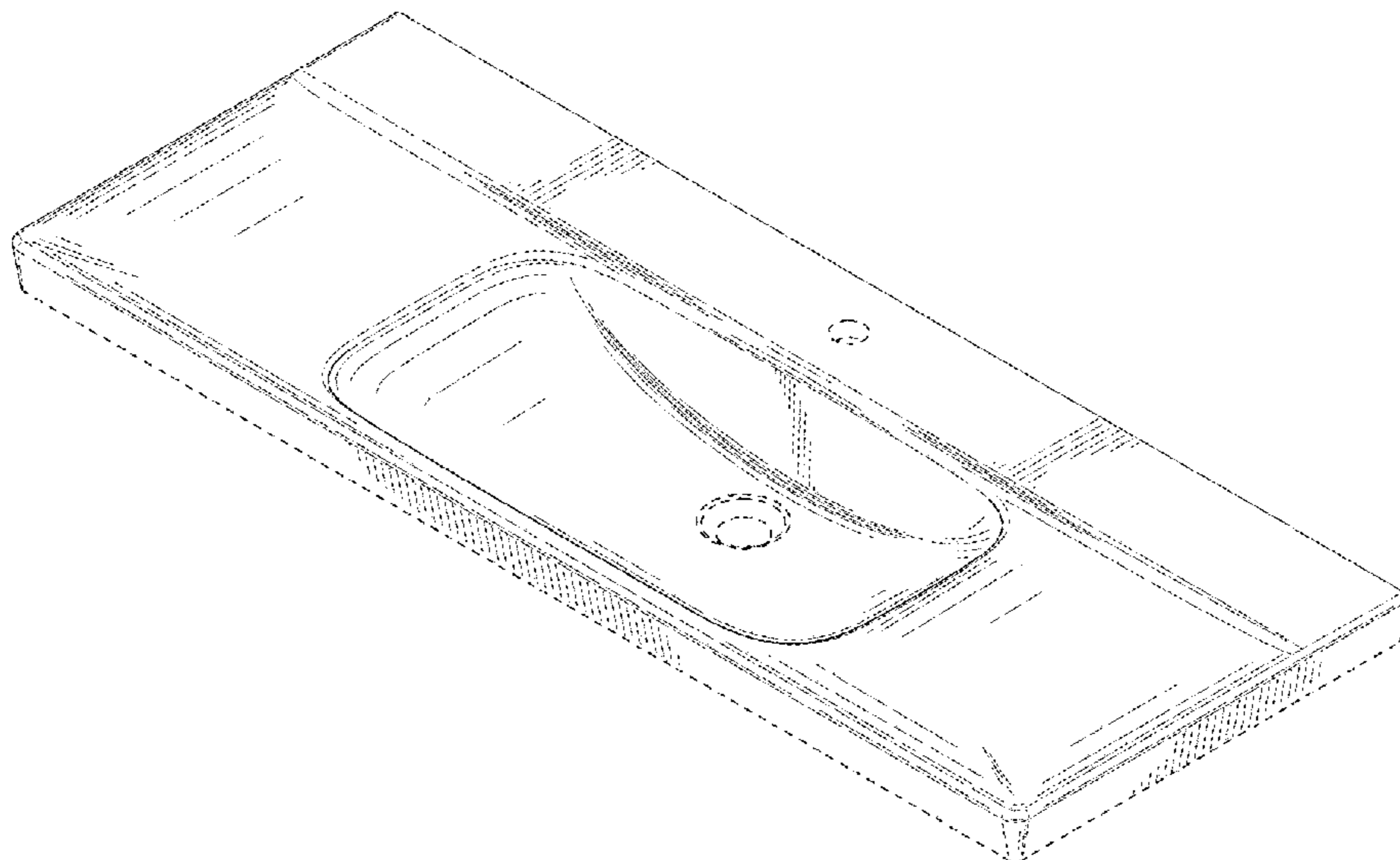
We claim the ornamental design for a vanity, as shown and described.

**DESCRIPTION**

FIG. 1 is a perspective view of an embodiment of the claimed design;  
 FIG. 2 is a front view of the embodiment of FIG. 1;  
 FIG. 3 is a rear view of the embodiment of FIG. 1;  
 FIG. 4 is a side view of the embodiment of FIG. 1;  
 FIG. 5 is another side view of the embodiment of FIG. 1;  
 FIG. 6 is a top view of the embodiment of FIG. 1;  
 FIG. 7 is a bottom view of the embodiment of FIG. 1;  
 FIG. 8 is a cross-sectional view taken along line 8-8 in FIG. 6; and,  
 FIG. 9 is a cross-sectional view of the claimed design of FIG. 6.

The ornamental design which is claimed is shown in solid lines in the drawings. The broken lines in the drawings form no part of the claimed design. Broken lines formed by equal length dashes show unclaimed subject matter. Broken lines formed of unequal length dashes (i.e., dash-dot) define bounds of the claimed design.

**1 Claim, 8 Drawing Sheets**



(56)

**References Cited**

U.S. PATENT DOCUMENTS

D645,125 S \* 9/2011 Palomba ..... D23/284  
D659,811 S \* 5/2012 Licini ..... D23/293.1  
D667,940 S \* 9/2012 Licini ..... D23/293.1  
D713,513 S \* 9/2014 Chen ..... D23/284

\* cited by examiner

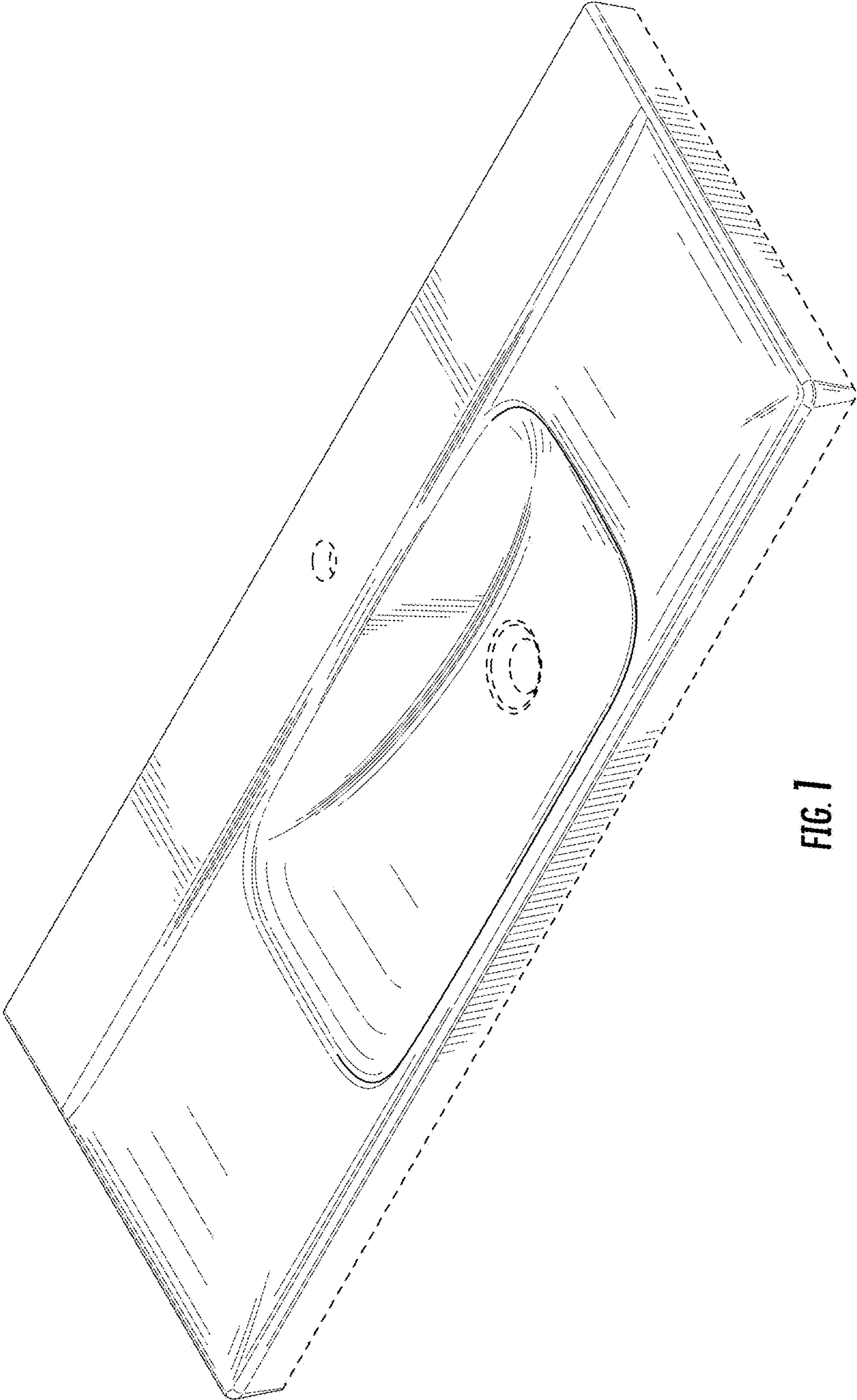


FIG. 1

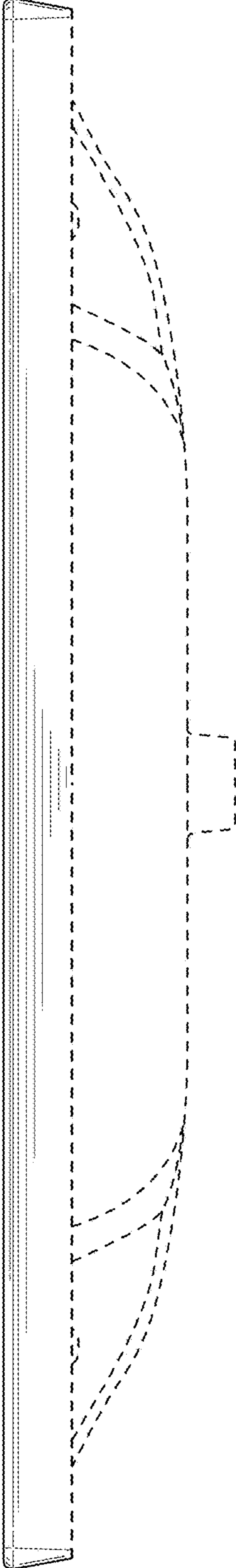


FIG. 2

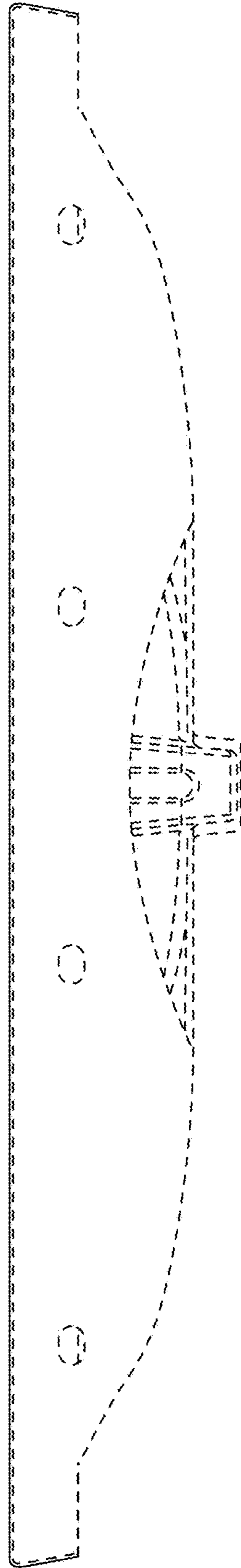


FIG. 3

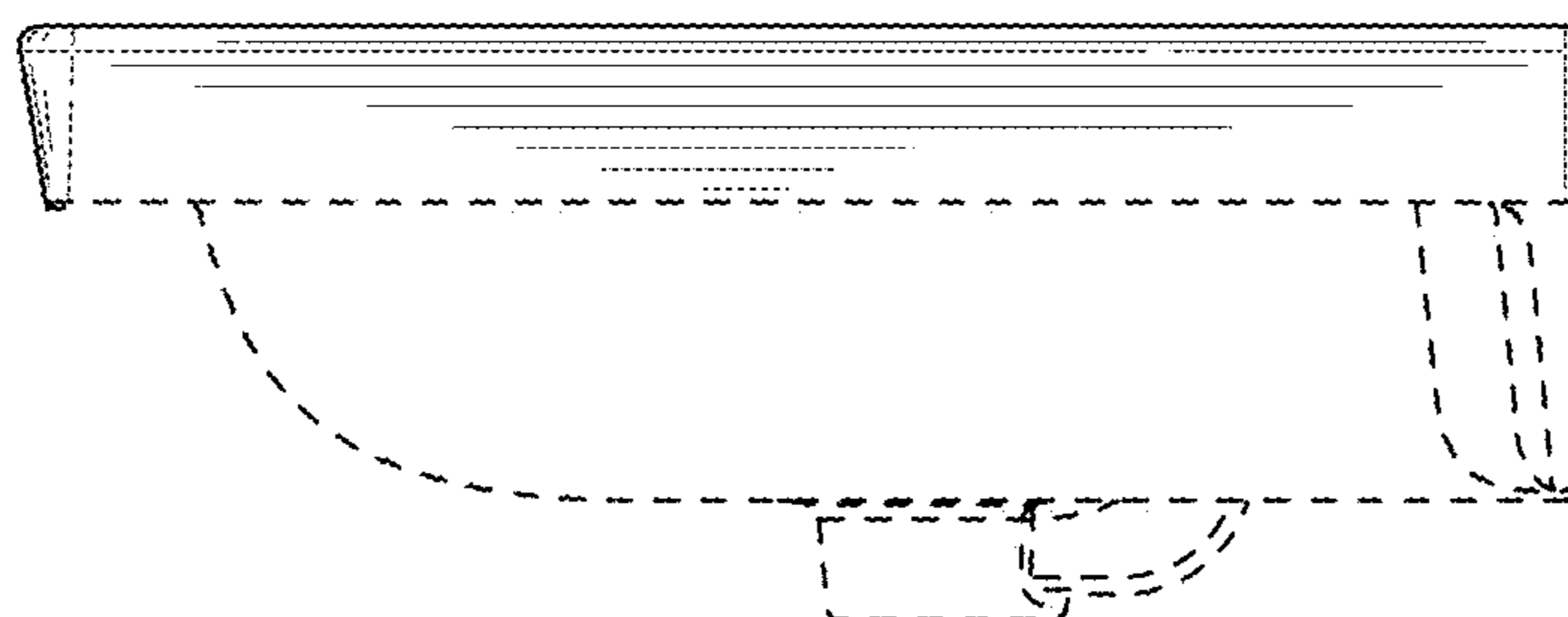


FIG. 4

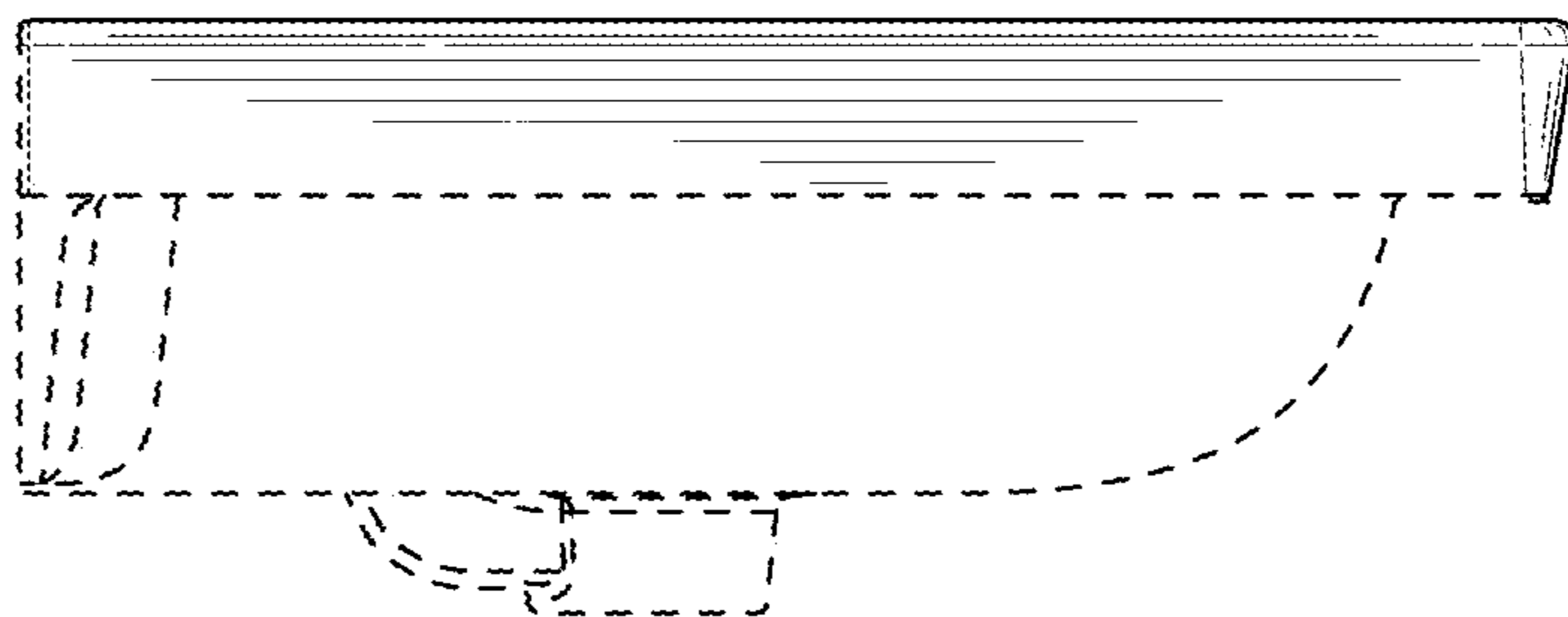
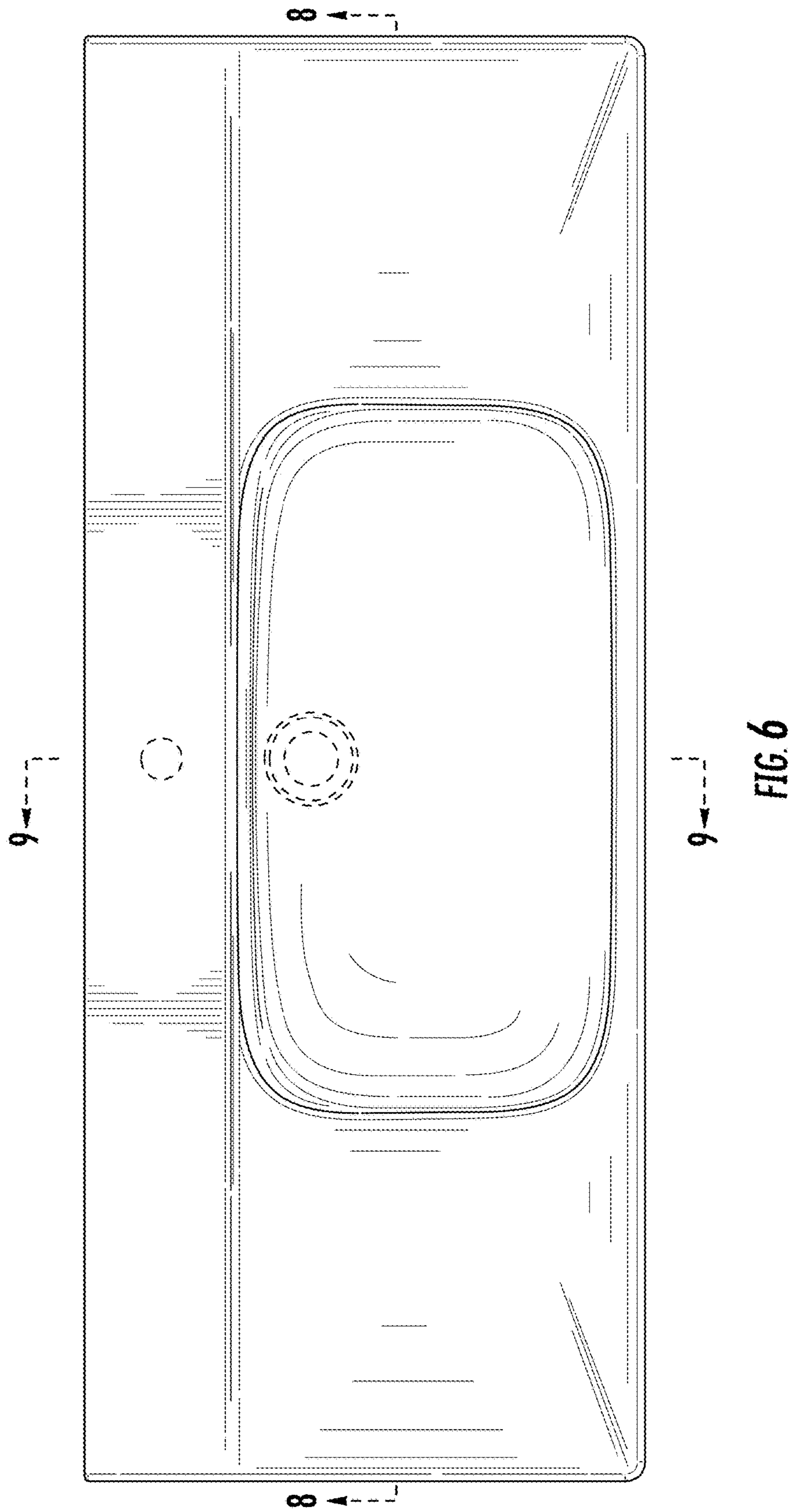


FIG. 5





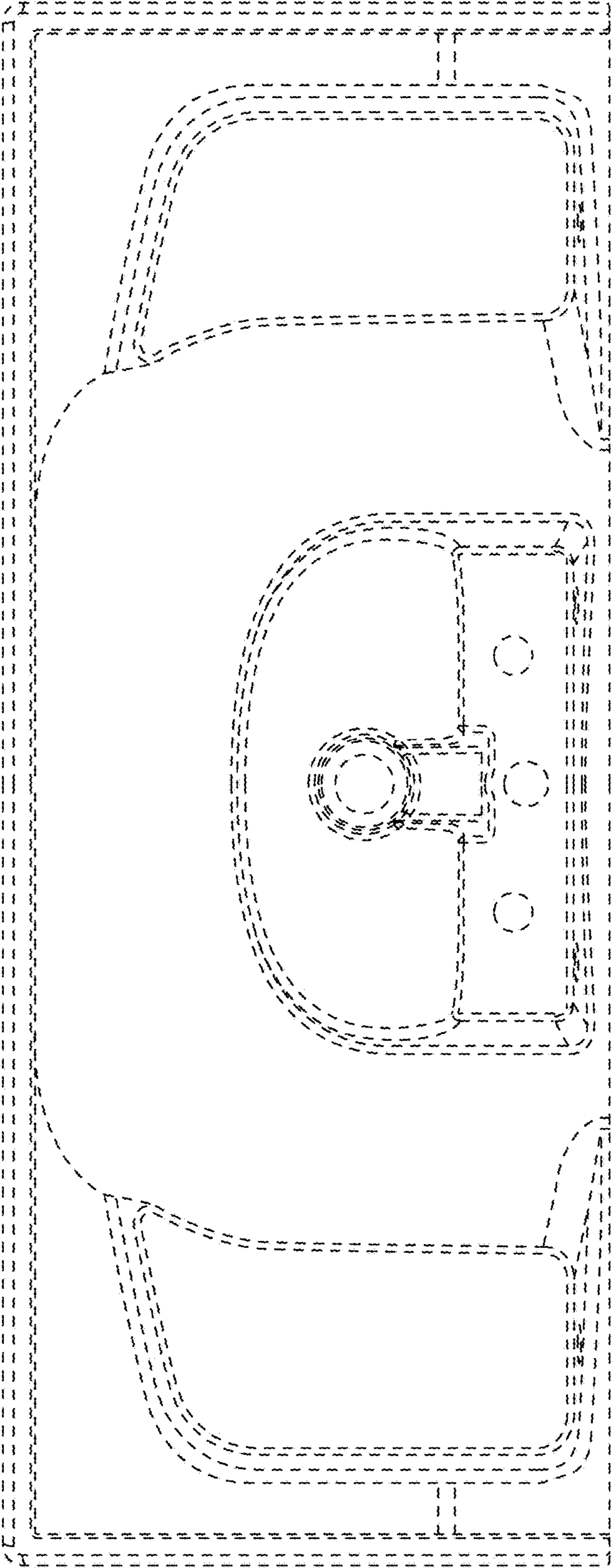


FIG. 7



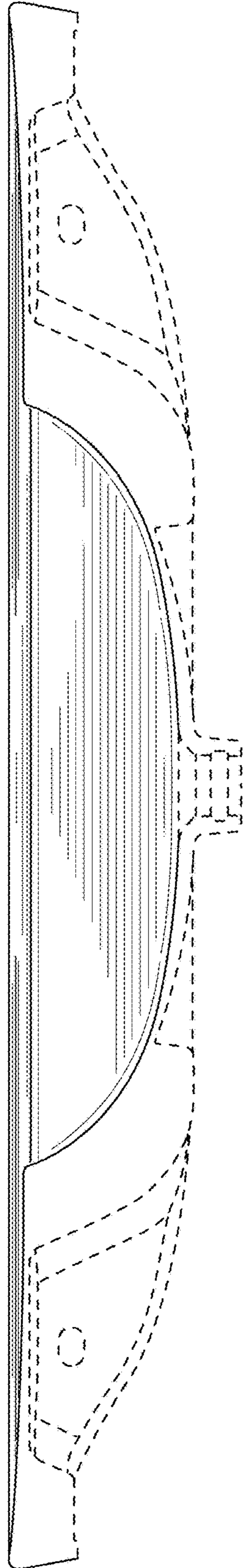


FIG. 8

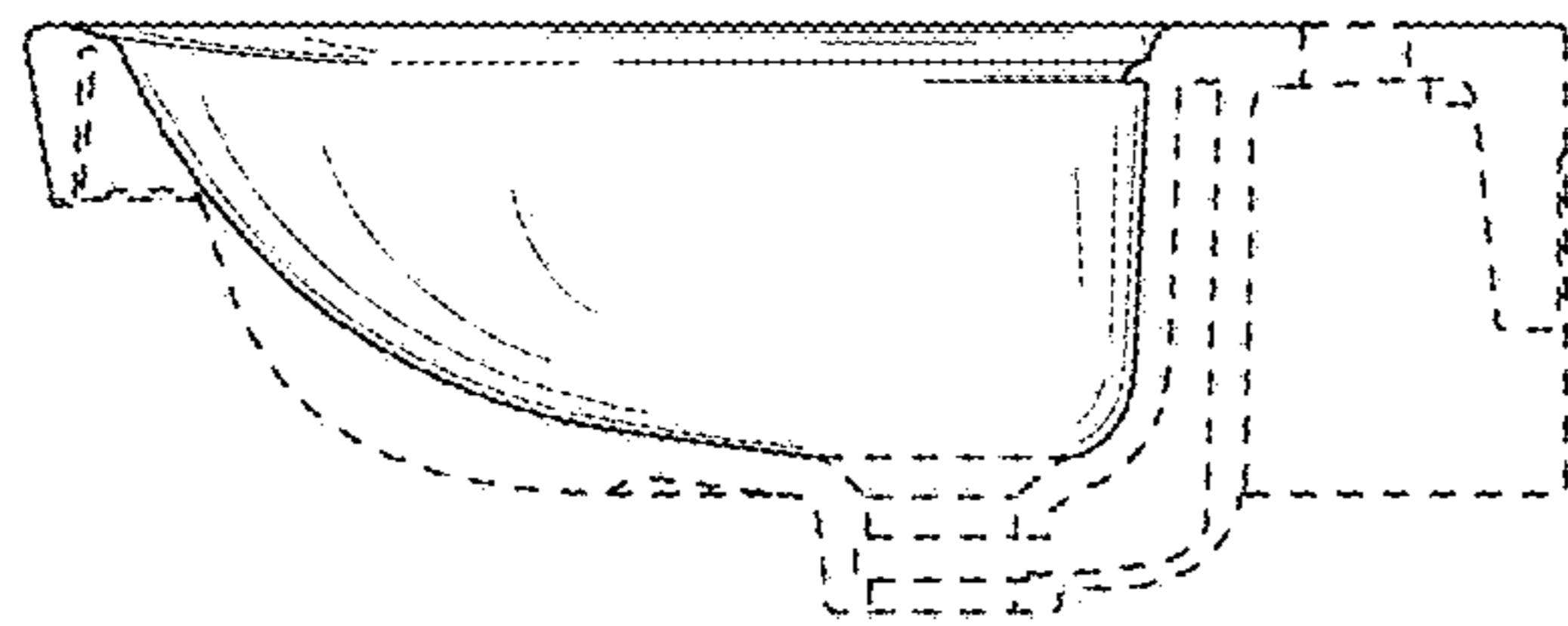


FIG. 9