



US00D806213S

(12) **United States Design Patent** (10) **Patent No.:** **US D806,213 S**  
**Belozerova et al.** (45) **Date of Patent:** **\*\* Dec. 26, 2017**

(54) **FAUCET AND SOAP DISPENSER**

(71) Applicant: **Zurn Industries, LLC**, Milwaukee, WI (US)

(72) Inventors: **Vladlena Belozerova**, Philadelphia, PA (US); **Thomas W. Murray**, Philadelphia, PA (US); **Christopher J. Murray**, Philadelphia, PA (US)

(73) Assignee: **Zurn Industries, LLC**, Milwaukee, WI (US)

(\*\*) Term: **15 Years**

(21) Appl. No.: **29/579,544**

(22) Filed: **Sep. 30, 2016**

(51) **LOC (10) Cl.** ..... **23-01**

(52) **U.S. Cl.**  
USPC ..... **D23/239**

(58) **Field of Classification Search**  
USPC ..... D23/238-239, 240-243, 249-250, 252, D23/255, 257; D6/542  
CPC ..... E03C 1/04; E03C 1/0401; E03C 1/0402; E03C 1/0404; E03C 1/0405; E03C 1/0412; Y10T 137/9464  
See application file for complete search history.

(56) **References Cited**

U.S. PATENT DOCUMENTS

D315,398 S \* 3/1991 Strignano ..... D23/241  
D634,404 S \* 3/2011 Thornton ..... D23/238  
D663,016 S \* 7/2012 Figurski ..... D23/271  
D666,694 S 9/2012 Kulig et al.

D708,716 S \* 7/2014 Ryu ..... D23/241  
D757,225 S 5/2016 Schoenherr et al.  
D757,230 S 5/2016 Schoenherr et al.

\* cited by examiner

*Primary Examiner* — Robert A Delehanty  
(74) *Attorney, Agent, or Firm* — Quarles & Brady LLP

(57) **CLAIM**  
The ornamental design for a faucet and soap dispenser, as shown and described.

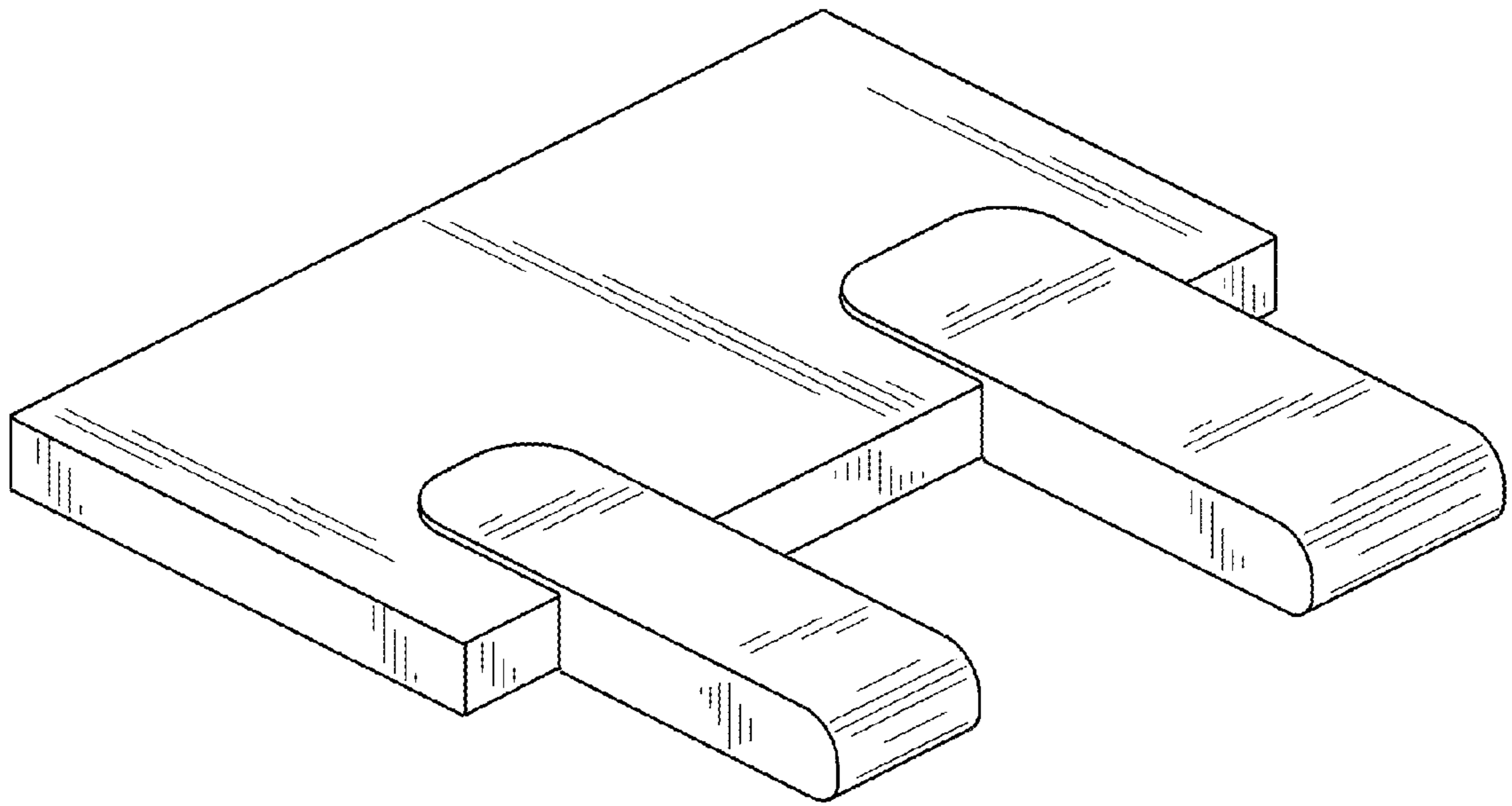
**DESCRIPTION**

FIG. 1 is a top, front, and left side perspective view of a faucet and soap dispenser in accordance with the design; FIG. 2 is a bottom, front, and left side perspective view of the faucet and soap dispenser of FIG. 1; FIG. 3 is a top plan view of the faucet and soap dispenser of FIG. 1; FIG. 4 is a front elevational view of the faucet and soap dispenser of FIG. 1; FIG. 5 is a left side elevational view of the faucet and soap dispenser of FIG. 1; FIG. 6 is a right side elevational view of the faucet and soap dispenser of FIG. 1; FIG. 7 is a rear elevational view of the faucet and soap dispenser of FIG. 1; and, FIG. 8 is a bottom plan view of the faucet and soap dispenser of FIG. 1.

The dash-dash broken lines are for the purpose of illustrating unclaimed subject matter only and form no part of the claimed design. The dash-dot lines are for the purpose of indicating a boundary of the design on a surface and do not indicate an edge.

In a preferred embodiment, the nature of this product is as a faucet and soap dispenser such as, for example, for use in connection with a bathroom or kitchen sink.

**1 Claim, 4 Drawing Sheets**



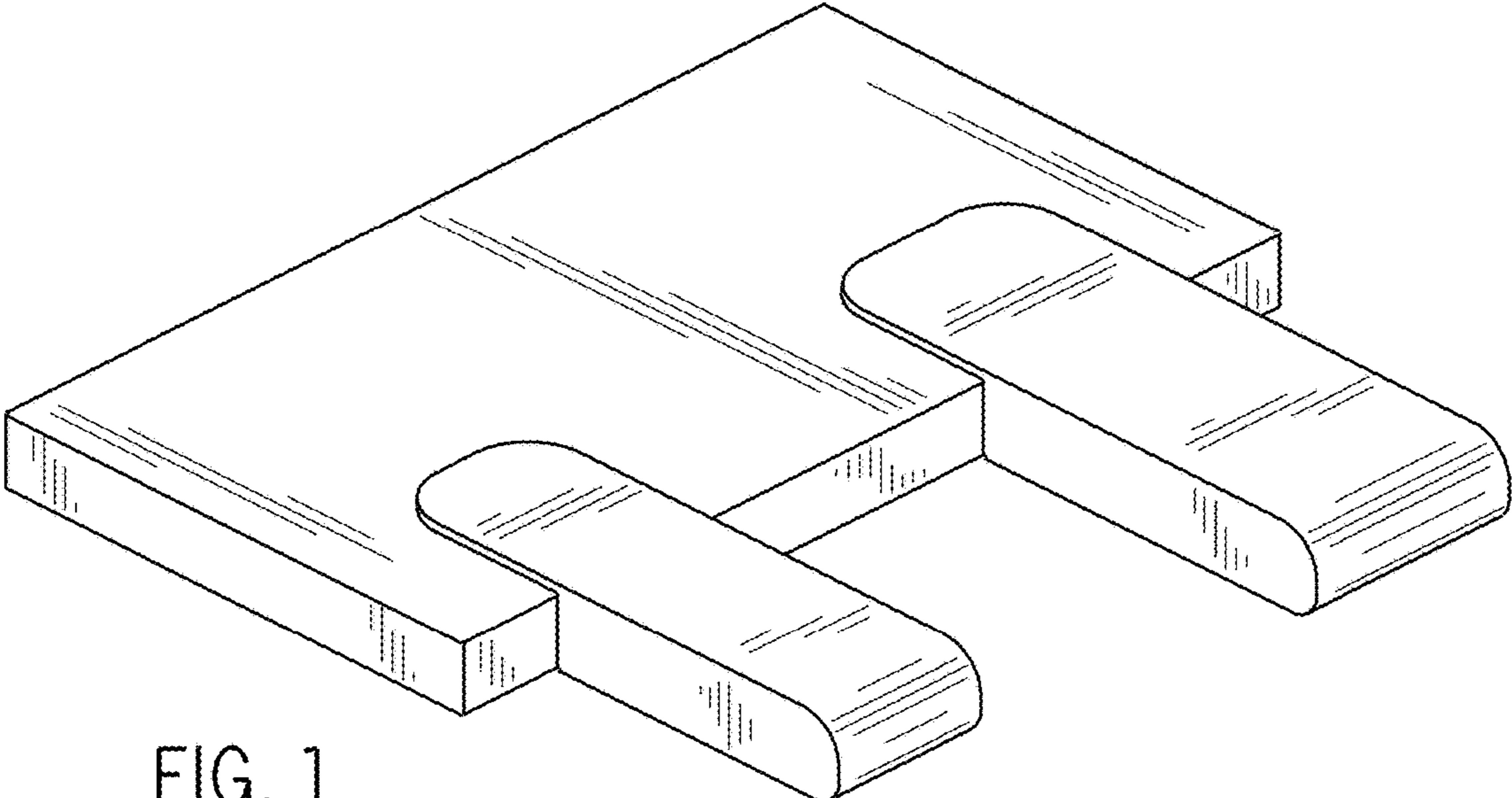


FIG. 1

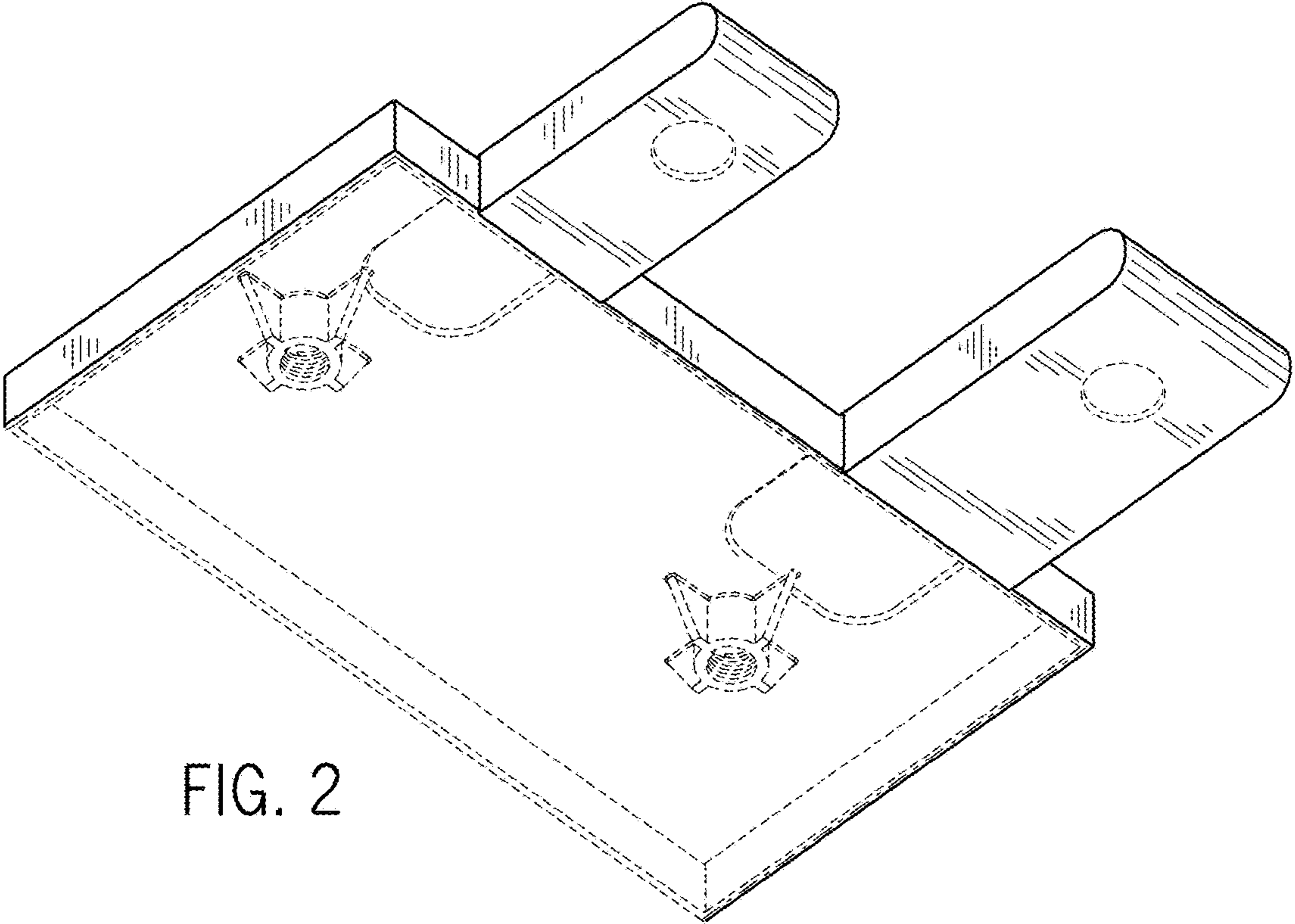


FIG. 2

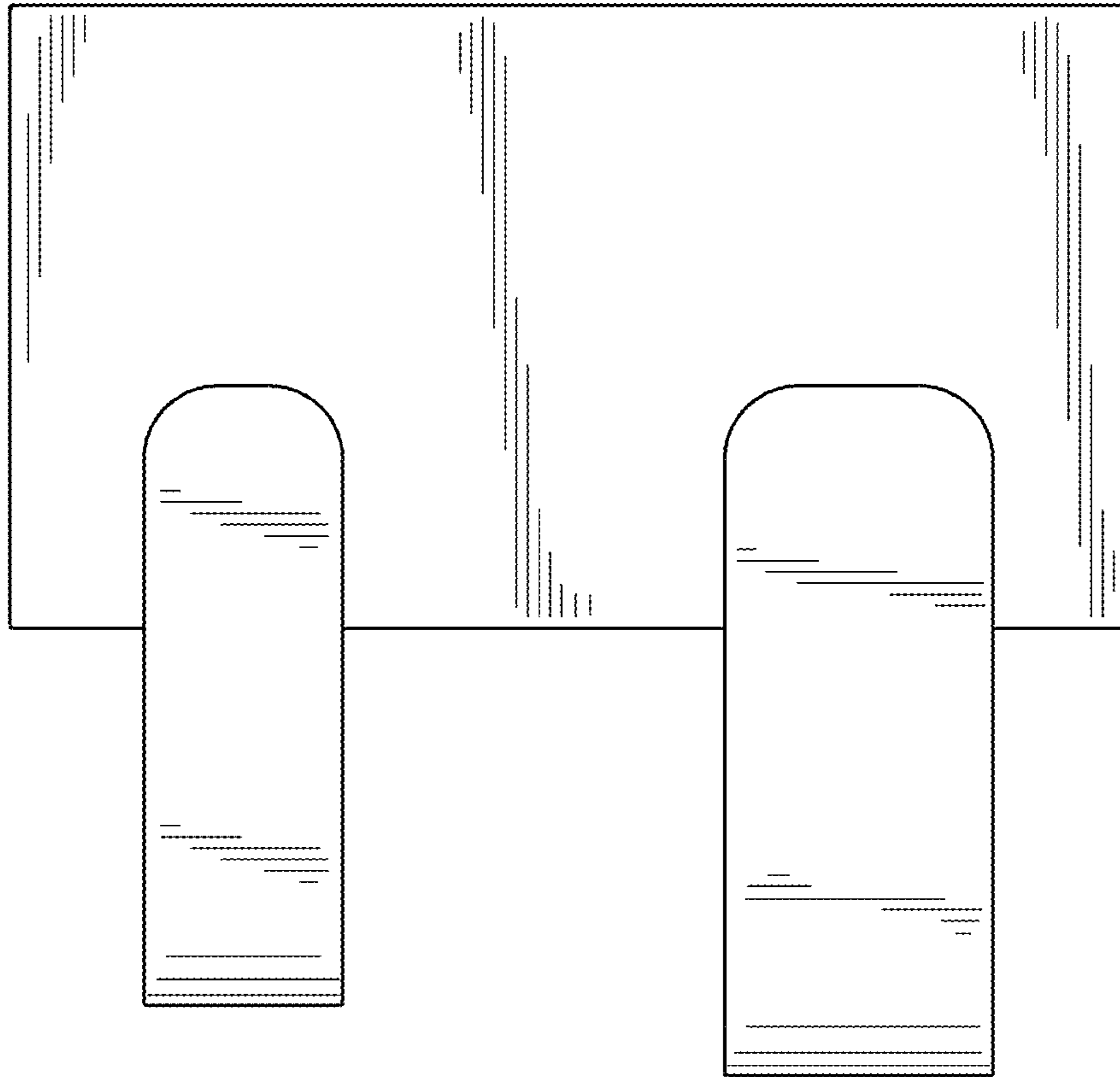


FIG. 3



FIG. 4



FIG. 5



FIG. 6



FIG. 7

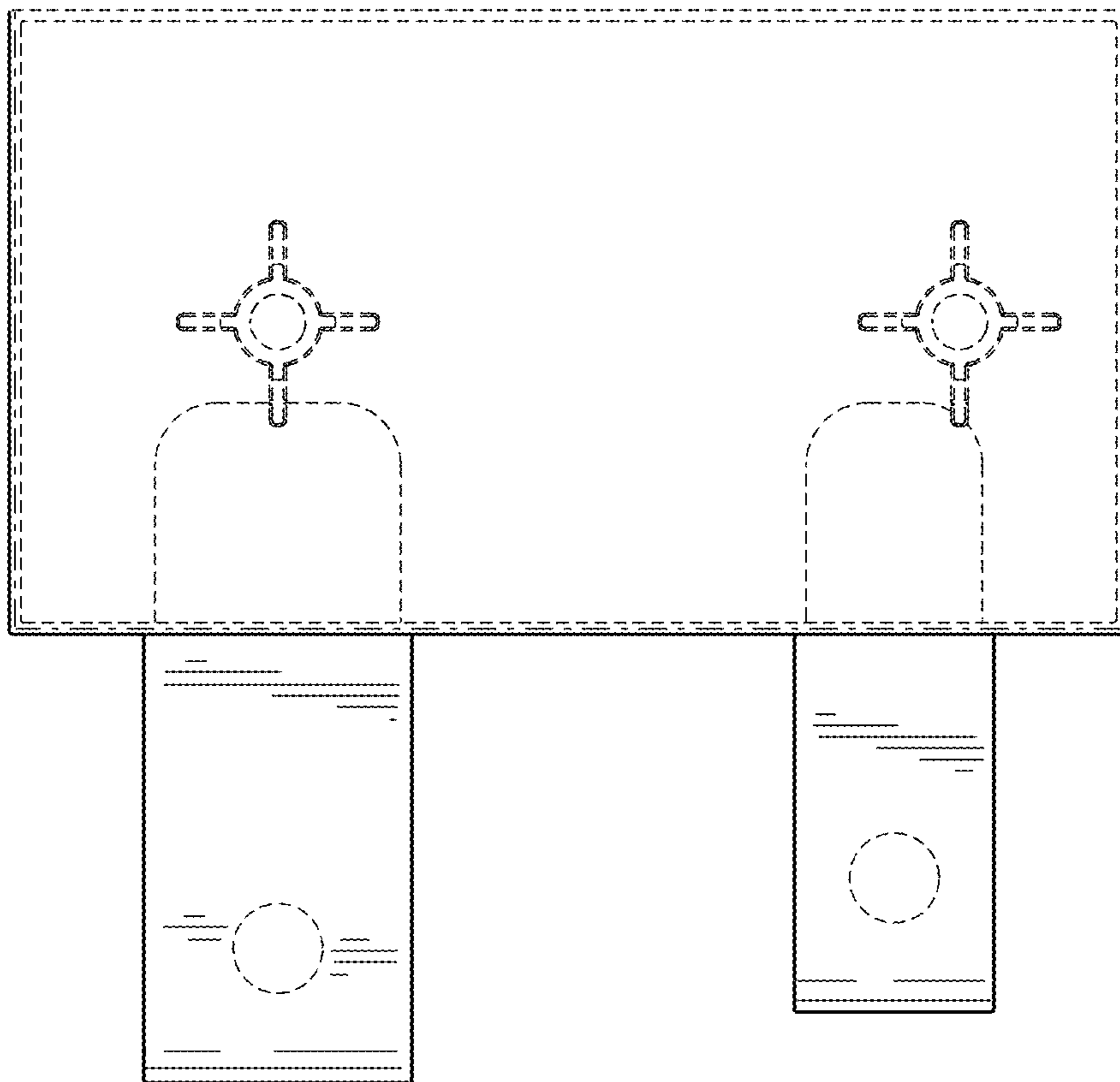


FIG. 8