



US00D806211S

(12) **United States Design Patent** (10) **Patent No.:** **US D806,211 S**  
**Bahler** (45) **Date of Patent:** **\*\* Dec. 26, 2017**

- (54) **SPRAYER**
- (71) Applicant: **DELTA FAUCET COMPANY,**  
Indianapolis, IN (US)
- (72) Inventor: **Jordan Bahler,** Frankfort, IN (US)
- (73) Assignee: **DELTA FAUCET COMPANY,**  
Indianapolis, IN (US)
- (\*\*) Term: **15 Years**
- (21) Appl. No.: **29/579,314**
- (22) Filed: **Sep. 29, 2016**
- (51) **LOC (10) Cl.** ..... **23-01**
- (52) **U.S. Cl.**  
USPC ..... **D23/223**
- (58) **Field of Classification Search**  
USPC ..... D23/213, 223, 226; 239/526  
CPC ..... B05B 1/18; B05B 9/01; B05B 15/061;  
B05B 3/00; B05B 5/00; A62C 31/03;  
A62C 31/02  
See application file for complete search history.

D524,907 S *	7/2006	Bosch	.....	D23/223
D540,909 S *	4/2007	Yu	.....	D23/226
D563,504 S *	3/2008	Fritz	.....	D23/226
D568,440 S *	5/2008	Pan	.....	D23/223
D574,463 S *	8/2008	Soriano	.....	D23/226
D581,486 S *	11/2008	Fulford	.....	D23/223
D617,418 S *	6/2010	Lin	.....	D23/223
D641,068 S *	7/2011	Pendleton	.....	D23/226
D658,741 S *	5/2012	Romero	.....	D23/223
D788,265 S *	5/2017	Ho	.....	D23/226

\* cited by examiner

*Primary Examiner* — Robin V Webster

(74) *Attorney, Agent, or Firm* — Edgar A. Zarins; Nirav D. Parikh

(57) **CLAIM**

The ornamental design for a sprayer, as shown and described.

**DESCRIPTION**

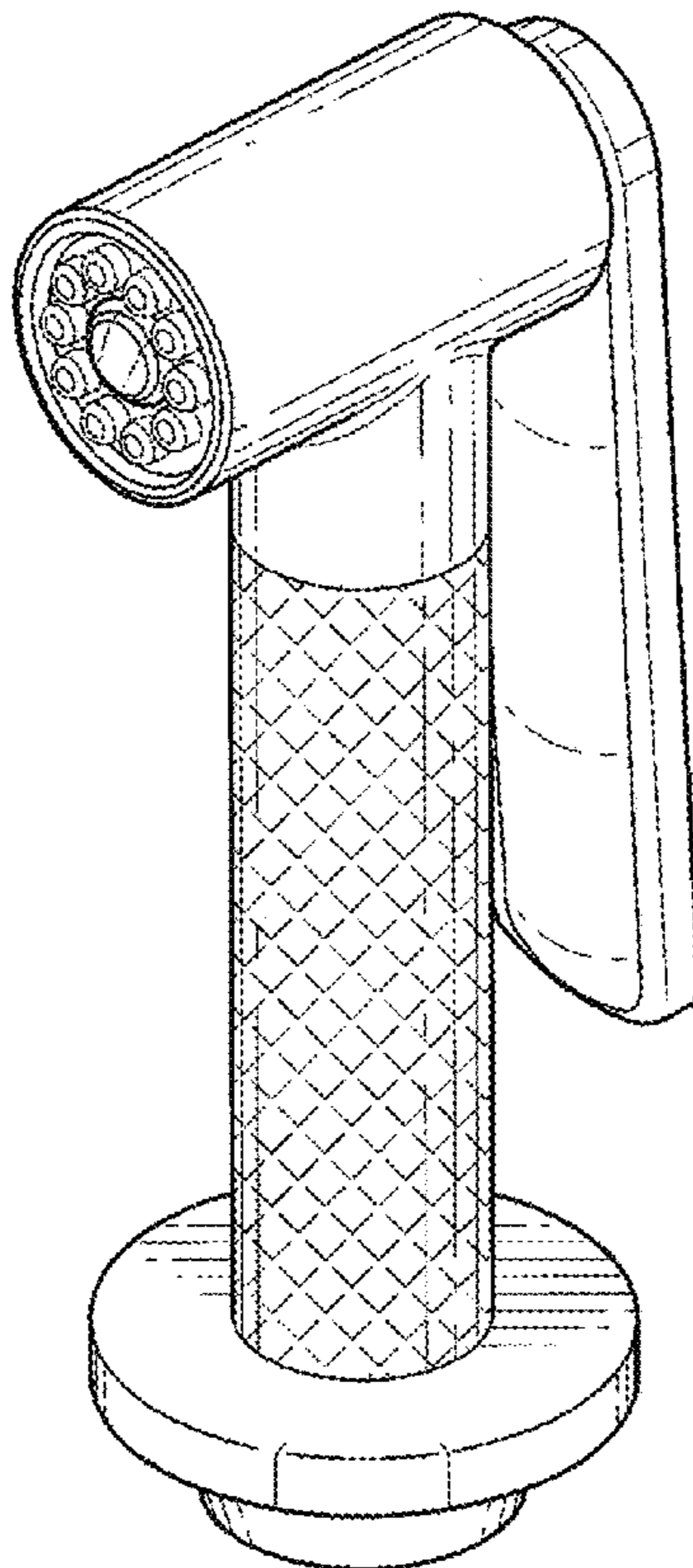
FIG. 1 is a perspective view of a sprayer showing my new design;  
 FIG. 2 is a top plan view thereof;  
 FIG. 3 is a bottom view thereof;  
 FIG. 4 is a front elevational view thereof; and,  
 FIG. 5 is a left side view thereof, the opposite side being a mirror image of the side shown.

(56) **References Cited**

U.S. PATENT DOCUMENTS

D292,227 S *	10/1987	Rudelick	.....	D23/226
D475,120 S *	5/2003	Ouyoung	.....	D23/226

**1 Claim, 2 Drawing Sheets**



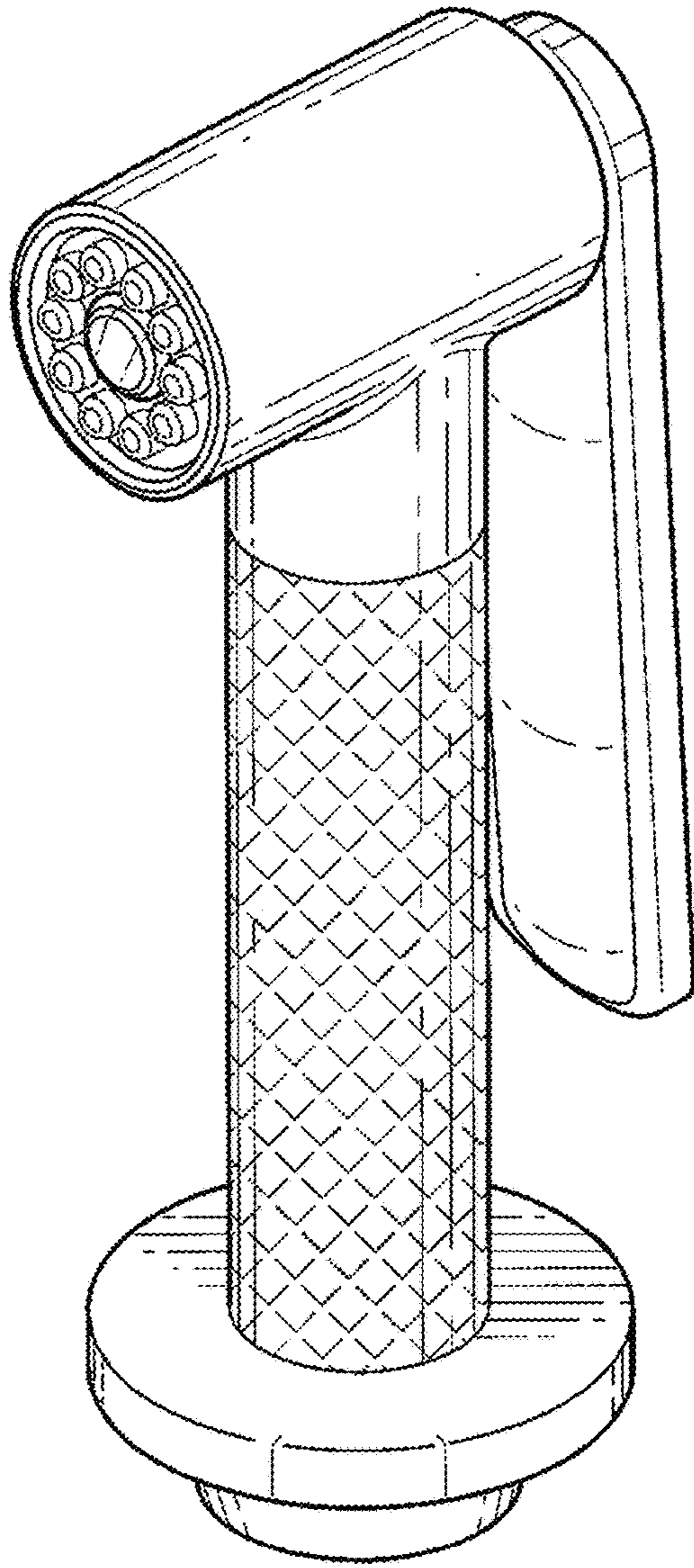


Fig-1

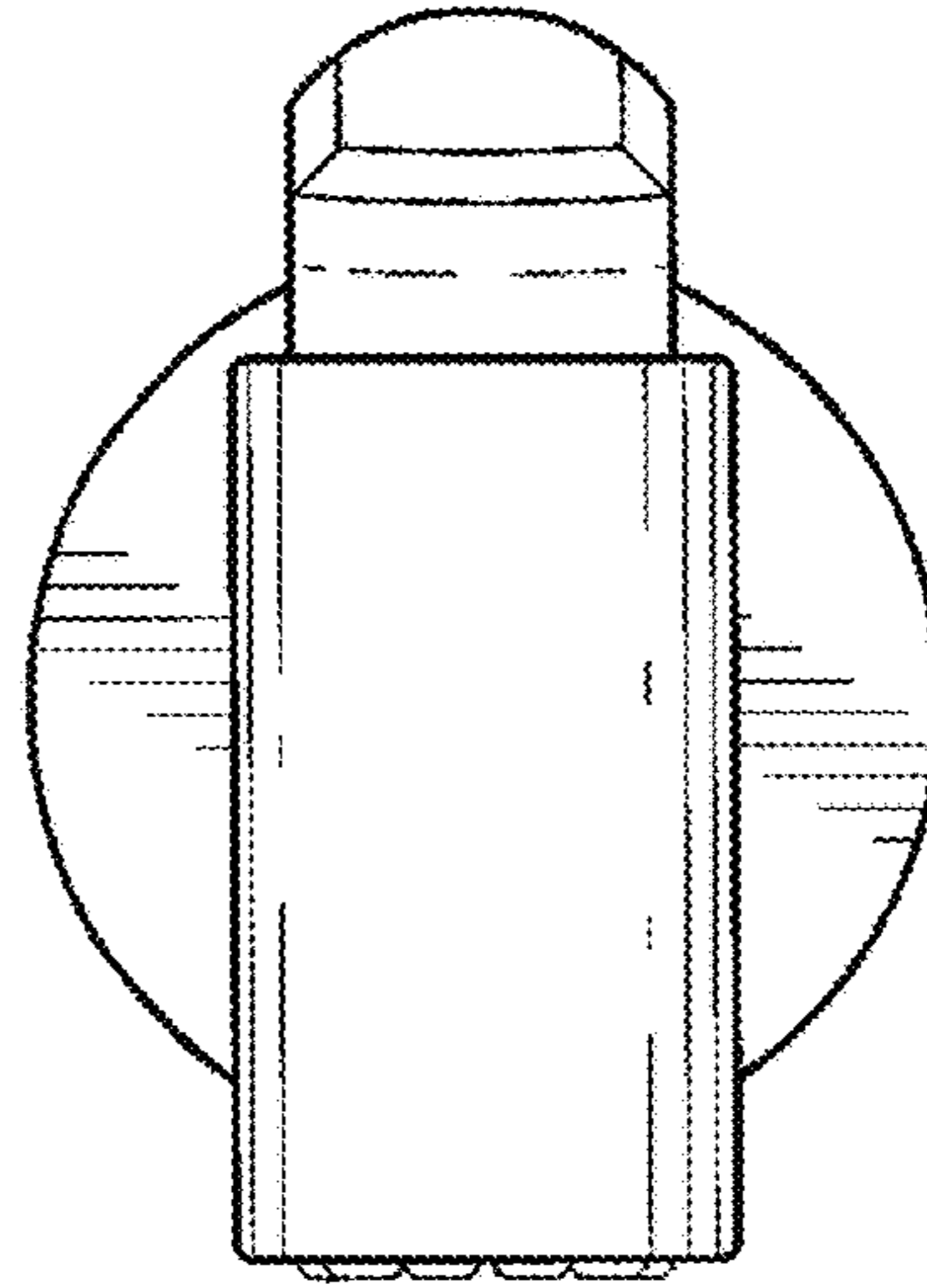


Fig-2

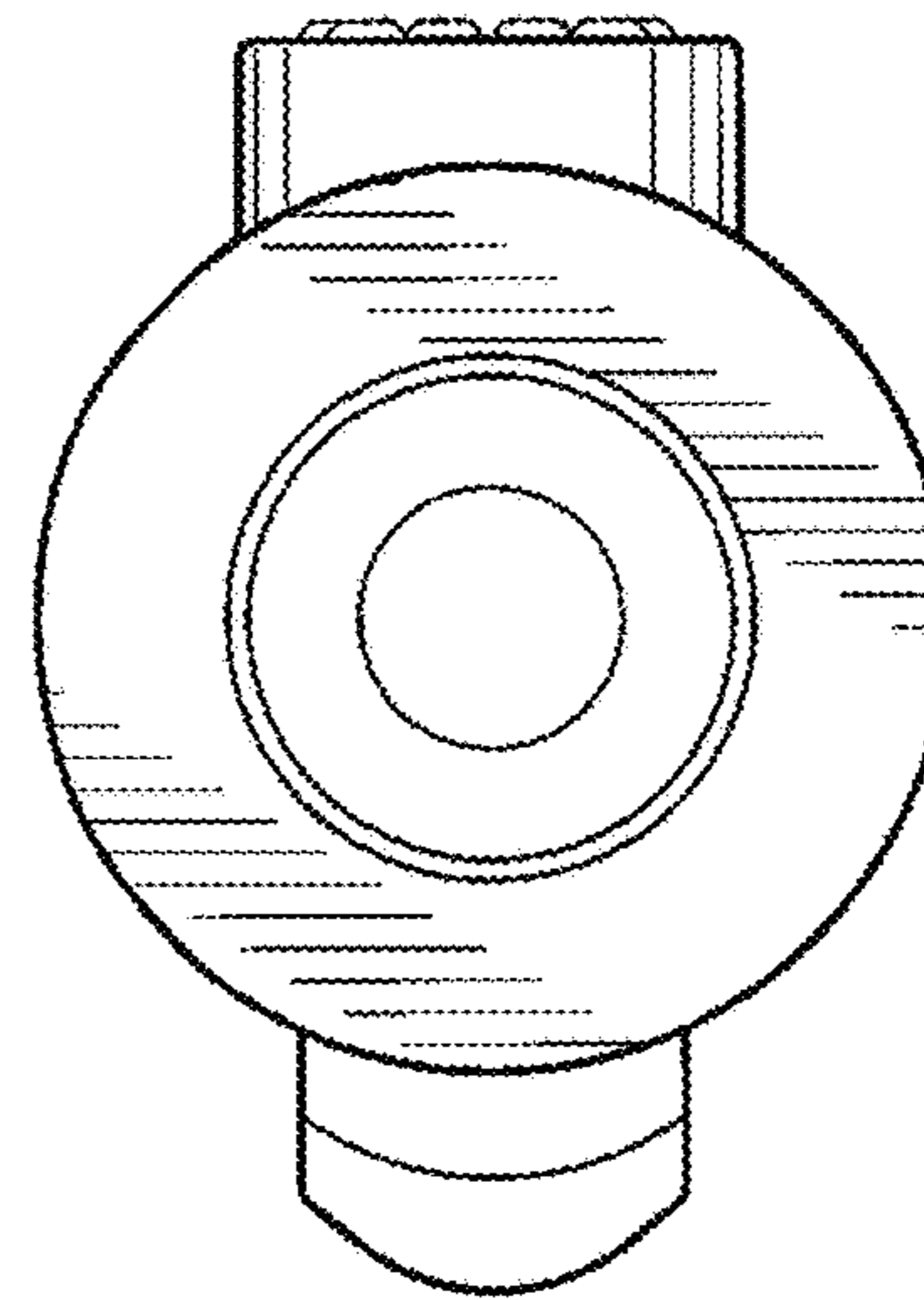


Fig-3

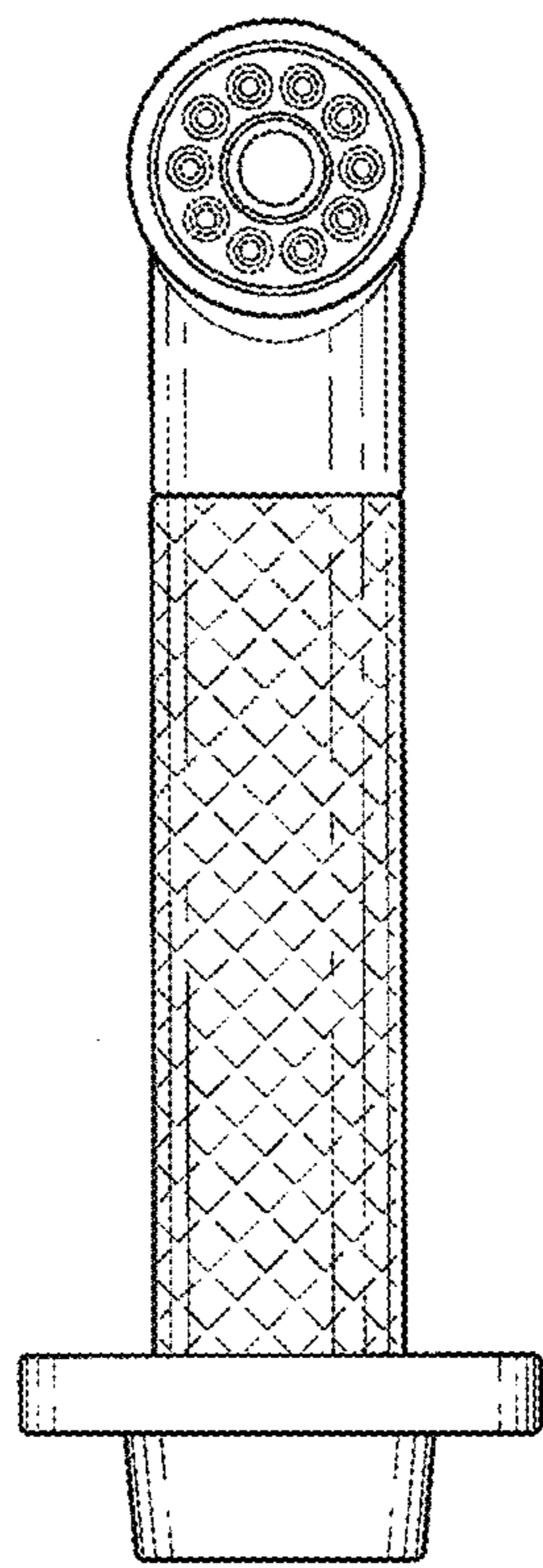


Fig-4

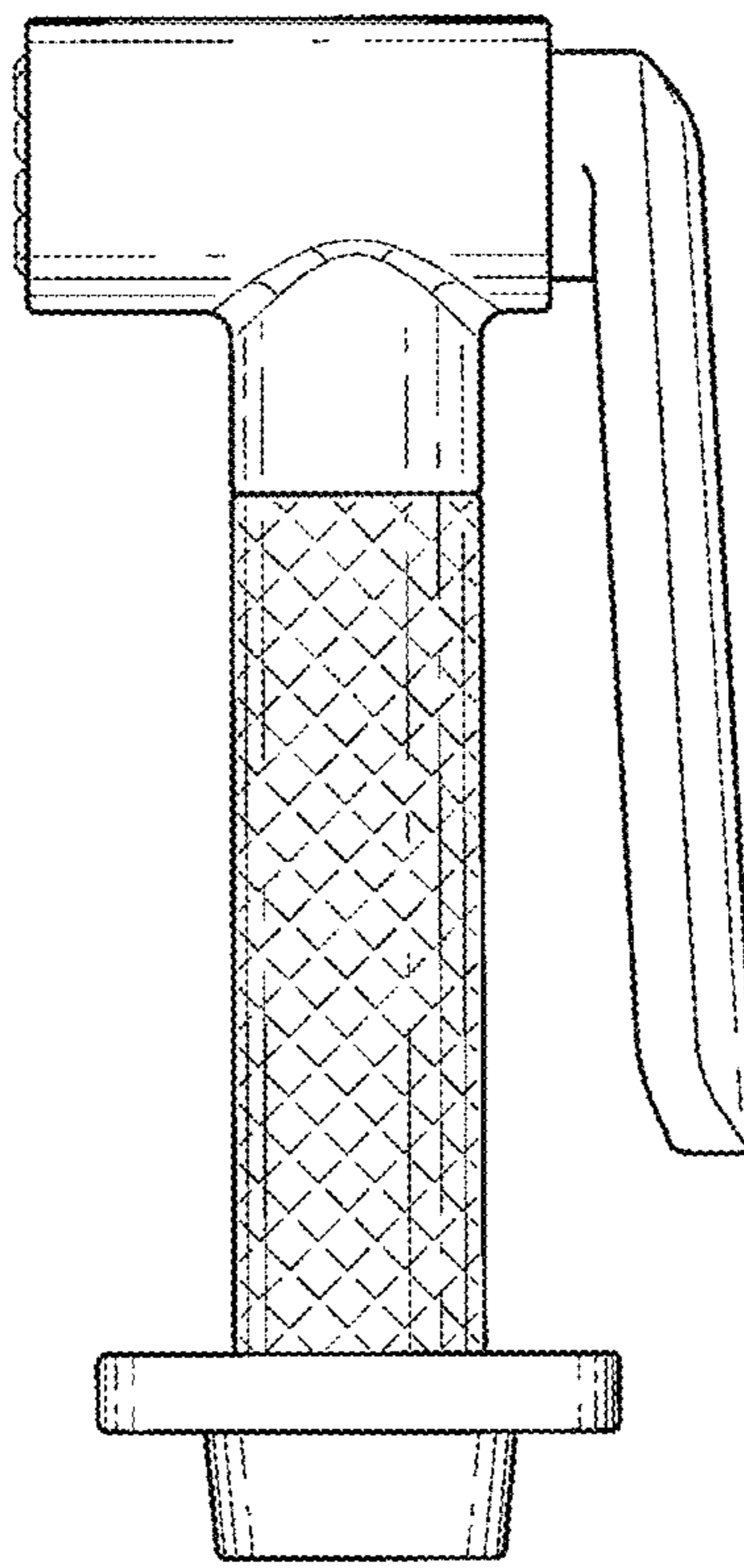


Fig-5