



US00D806210S

(12) **United States Design Patent**  
**Rodriguez et al.**

(10) **Patent No.:** **US D806,210 S**  
(45) **Date of Patent:** **\*\* Dec. 26, 2017**

- (54) **OSCILLATING SPRINKLER**
- (71) Applicant: **Orbit Irrigation Products, Inc.**, North Salt Lake, UT (US)
- (72) Inventors: **Hugo Rodriguez**, South Salt Lake, UT (US); **Jeffrey C. Thurgood**, Severance, CO (US); **Amy Marie Yamasaki**, Fruit Heights, UT (US)
- (73) Assignee: **Orbit Irrigation Products, Inc.**, North Salt Lake, UT (US)
- (\*\*) Term: **15 Years**
- (21) Appl. No.: **29/575,121**
- (22) Filed: **Aug. 22, 2016**
- (51) **LOC (10) Cl.** ..... **23-01**
- (52) **U.S. Cl.**  
USPC ..... **D23/216**
- (58) **Field of Classification Search**  
USPC ..... D23/214–216, 221; 239/201, 203, 263.3, 239/240  
CPC ..... A01G 25/00; B05B 15/10; B05B 1/34; B05B 3/044  
See application file for complete search history.

D652,484 S \* 1/2012 Nies ..... D23/221  
D652,486 S \* 1/2012 Nies ..... D23/221  
8,534,573 B2 \* 9/2013 Wang ..... B05B 3/044  
239/227

(Continued)

**OTHER PUBLICATIONS**

Orbit Irrigation Products, Inc. Product No. 56133 shown in attachment 1 submitted on Nov. 7, 2016.\*

(Continued)

*Primary Examiner* — Robin V Webster  
(74) *Attorney, Agent, or Firm* — Austin Rapp

(57) **CLAIM**

The ornamental design for an oscillating sprinkler, as shown and described.

**DESCRIPTION**

FIG. 1 is a top perspective view of an oscillating sprinkler, according to our new design;  
FIG. 2 is a bottom perspective view of the oscillating sprinkler shown in FIG. 1;  
FIG. 3 is a right side elevational view of the oscillating sprinkler shown in FIG. 1;  
FIG. 4 is a left side elevational view of the oscillating sprinkler shown in FIG. 1;  
FIG. 5 is a front side elevational view of the oscillating sprinkler shown in FIG. 1;  
FIG. 6 is a rear side elevational view of the oscillating sprinkler shown in FIG. 1;  
FIG. 7 is a top view of the oscillating sprinkler shown in FIG. 1; and,  
FIG. 8 is a bottom view of the oscillating sprinkler shown in FIG. 1.

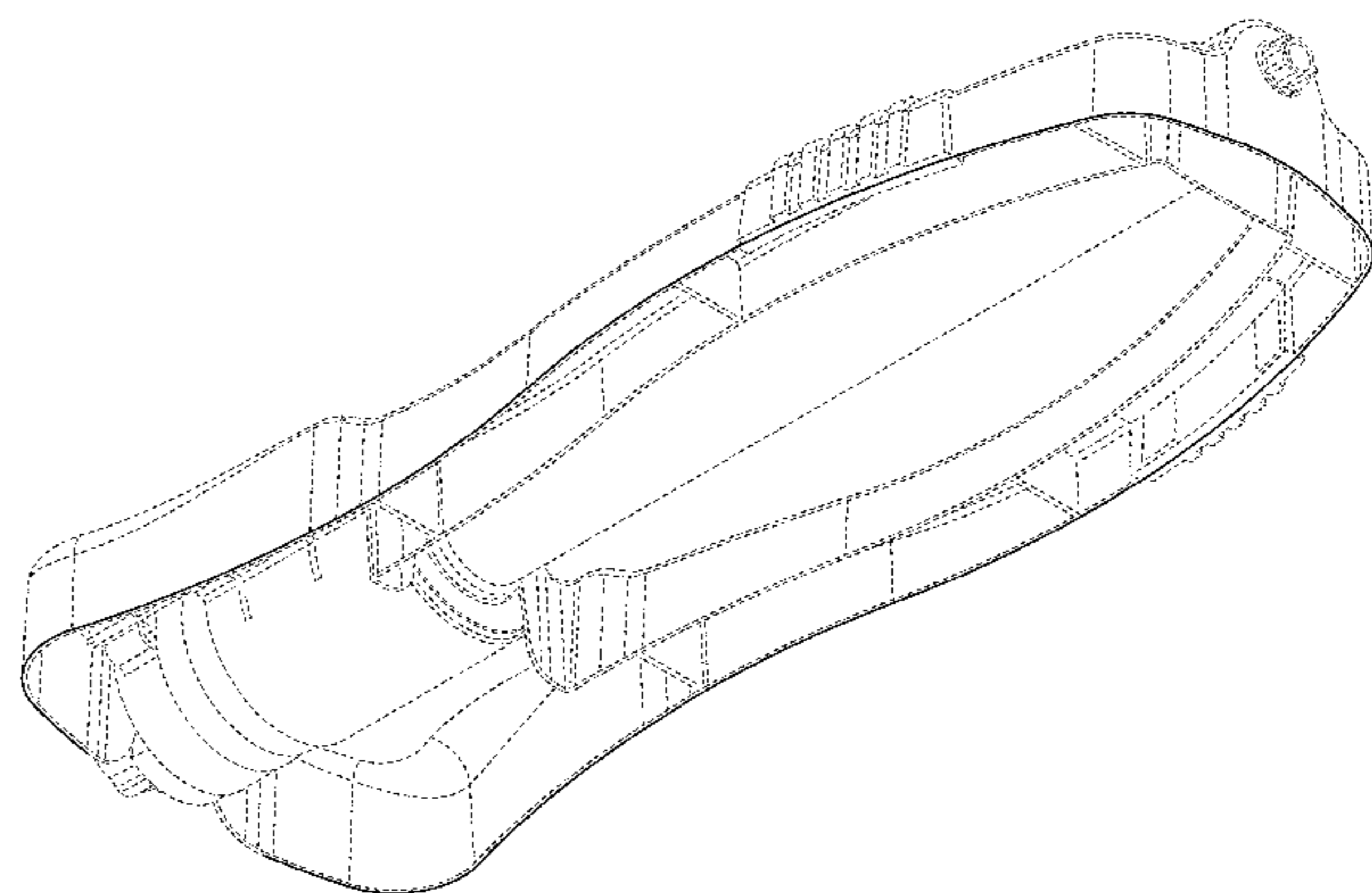
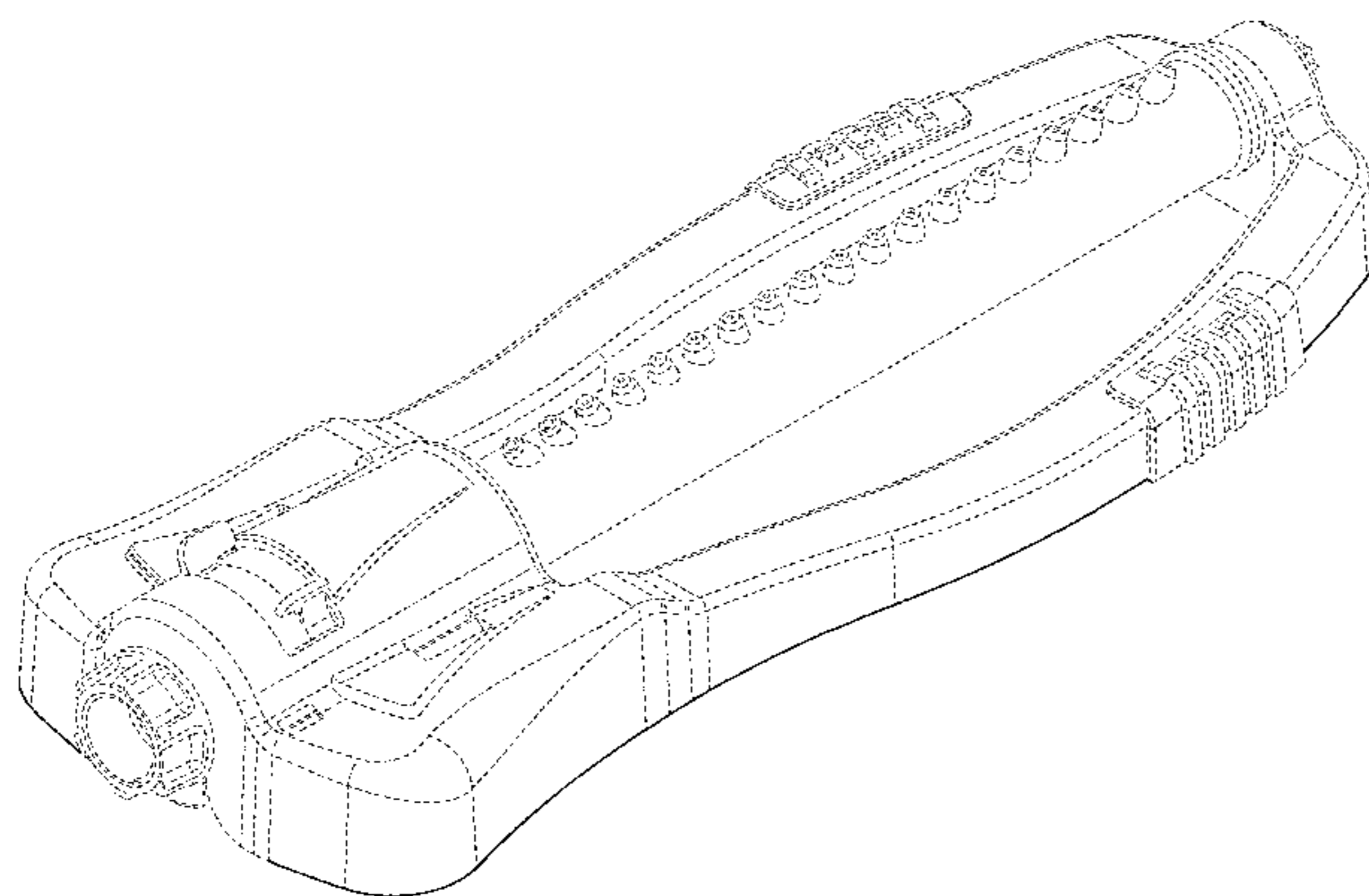
The broken lines showing portions of the sprinkler are included for the purposes of illustrating environmental structure and form no part of the claimed design.

**1 Claim, 6 Drawing Sheets**

(56) **References Cited**

**U.S. PATENT DOCUMENTS**

D178,782 S *	9/1956	Jepson	.....	D23/216
D282,769 S *	2/1986	Lemkin	.....	D23/216
D371,596 S *	7/1996	Simonetti	.....	D23/214
D383,193 S *	9/1997	Heren	.....	D23/216
D440,629 S *	4/2001	Guo	.....	D23/216
D470,218 S *	2/2003	Alkalay	.....	D23/216
7,252,246 B2 *	8/2007	Heren	.....	B05B 1/1654 239/225.1
7,607,590 B2 *	10/2009	Nies	.....	B05B 3/044 239/242
D613,371 S *	4/2010	Nies	.....	D23/216
D618,308 S *	6/2010	Nies	.....	D23/216
D652,483 S *	1/2012	Nies	.....	D23/221



(56)

**References Cited**

U.S. PATENT DOCUMENTS

D702,814 S \* 4/2014 Vedantam ..... D23/221  
 9,346,065 B2 \* 5/2016 Su ..... B05B 1/205

OTHER PUBLICATIONS

Orbit Irrigation Products, Inc. Product No. 58303 shown in attachment 2 submitted on Nov. 7, 2016.\*  
 Orbit Irrigation Products, Inc. Product No. 58893 shown in attachment 3 submitted on Nov. 7, 2016.\*  
 Orbit Irrigation Products, Inc. Product No. 58895 shown in attachment 4 submitted on Nov. 7, 2016.\*  
 Orbit Irrigation Products, Inc. Product No. 58294 shown in attachment 5 submitted on Nov. 7, 2016.\*  
 Orbit Irrigation Products, Inc. Product No. 58631 shown in attachment 6 submitted on Nov. 7, 2016.\*  
 Orbit Irrigation Products, Inc. Product No. 58897 shown in attachment 7 submitted on Nov. 7, 2016.\*  
 Orbit Irrigation Products, Inc. Product No. 56058 shown in attachment 8 submitted on Nov. 7, 2016.\*  
 Gardena, Product No. 1980-U shown in attachment 9 submitted Nov. 7, 2016.\*  
 Gardena, Product No. 34000 shown in attachment 10 submitted Nov. 7, 2016.\*  
 Gardena, Product No. 350/2 shown in attachment 11 submitted Nov. 7, 2016.\*  
 Melnor, Inc. Product No. 204-933 shown in attachment 12 submitted Nov. 7, 2016.\*  
 Melnor, Inc. Product No. 172-849 shown in attachment 13 submitted Nov. 7, 2016.\*  
 Gilmour, Product No. 8830NGF shown in attachment 14 submitted Nov. 7, 2016.\*  
 Gilmour, Product No. 7800pm shown in attachment 15 submitted Nov. 7, 2016.\*  
 Gilmour, Product No. 7900pm shown in attachment 16 submitted Nov. 7, 2016.\*  
 Yardsmith, Product No. 8833 shown in attachment 17 submitted Nov. 7, 2016.\*  
 Ray Padula, Product No. RP-OSCD4Q shown in attachment 18 submitted Nov. 7, 2016.\*  
 Preliminary Amendment, U.S. Appl. No. 29/575,126, dated Nov. 9, 2016 (shown in attachment 19).  
 U.S. Appl. No. 29/575,126, filed Aug. 22, 2016, Orbit Irrigation Products, Inc.

Notice of Allowance and Fee(s) Due (including a Notice of Allowability For A Design Application section, a Multiple Embodiments section, and an Examiner's Amendment section), U.S. Appl. No. 29/575,126, dated Aug. 30, 2017 (shown in attachment 20).  
 U.S. Appl. No. 29,575,126, filed Aug. 22, 2016, Orbit Irrigation Products, Inc.  
 Orbit Irrigation Products, Inc., Product No. 56133, shown in attachment 1, was sold or offered for sale at least by Jul. 21, 2015.  
 Orbit Irrigation Products, Inc., Product No. 58303, shown in attachment 2, was sold or offered for sale at least by Jul. 21, 2015.  
 Orbit Irrigation Products, Inc., Product No. 58893, shown in attachment 3, was sold or offered for sale at least by Jul. 21, 2015.  
 Orbit Irrigation Products, Inc., Product No. 58895, shown in attachment 4, was sold or offered for sale at least by Jul. 21, 2015.  
 Orbit Irrigation Products, Inc., Product No. 58294, shown in attachment 5, was sold or offered for sale at least by Jul. 21, 2015.  
 Orbit Irrigation Products, Inc., Product No. 58631, shown in attachment 6, was sold or offered for sale at least by Jul. 21, 2015.  
 Orbit Irrigation Products, Inc., Product No. 58897, shown in attachment 7, was sold or offered for sale at least by Jul. 21, 2015.  
 Orbit Irrigation Products, Inc., Product No. 56058, shown in attachment 8, was sold or offered for sale at least by Jul. 21, 2015.  
 Gardena (Brand Name), Product No. 1980-U, shown in attachment 9, was apparently sold or offered for sale at least by Jul. 21, 2015.  
 Gardena (Brand Name), Product No. 34000, shown in attachment 10, was apparently sold or offered for sale at least by Jul. 21, 2015.  
 Gardena (Brand Name), Product No. 350/2, shown in attachment 11, was apparently sold or offered for sale at least by Jul. 21, 2015.  
 Melnor, Inc., Product No. 204-933, shown in attachment 12, was apparently sold or offered for sale at least by Jul. 21, 2015.  
 Melnor, Inc., Product No. 172-849, shown in attachment 13, was apparently sold or offered for sale at least by Jul. 21, 2015.  
 Gilmour (Brand Name), Product No. 8830NGF, shown in attachment 14, was apparently sold or offered for sale at least by Jul. 21, 2015.  
 Gilmour (Brand Name), Product No. 7800pm, shown in attachment 15, was apparently sold or offered for sale at least by Jul. 21, 2015.  
 Gilmour (Brand Name), Product No. 7900pm, shown in attachment 16, was apparently sold or offered for sale at least by Jul. 21, 2015.  
 Yardsmith (Brand Name), Product No. 8833, shown in attachment 17, was apparently sold or offered for sale at least by Jul. 21, 2015.  
 Ray Padula (Brand Name), Product No. RP-OSCD4Q, shown in attachment 18, was apparently sold or offered for sale at least by Jul. 21, 2015.

\* cited by examiner

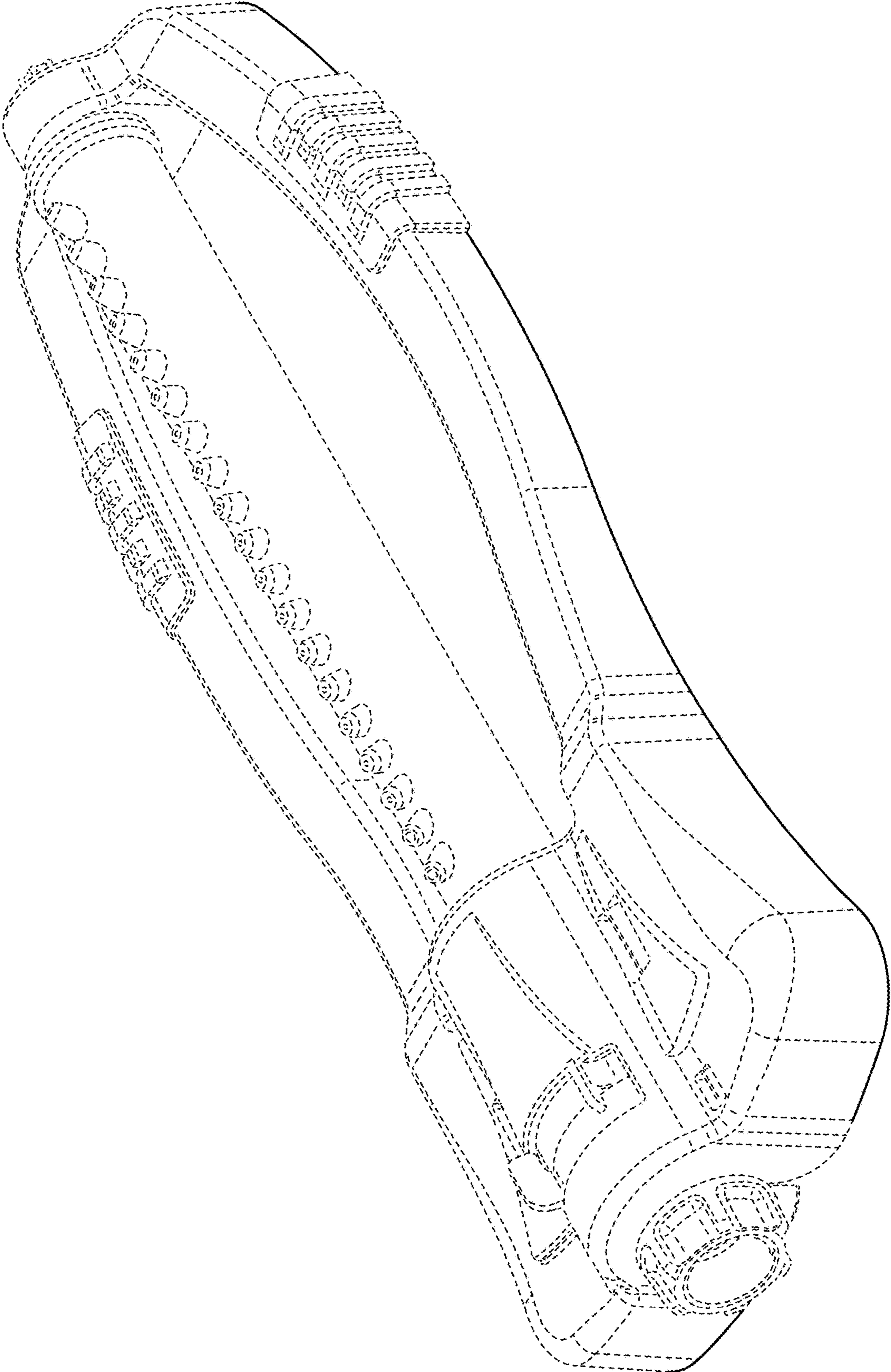


FIG. 1

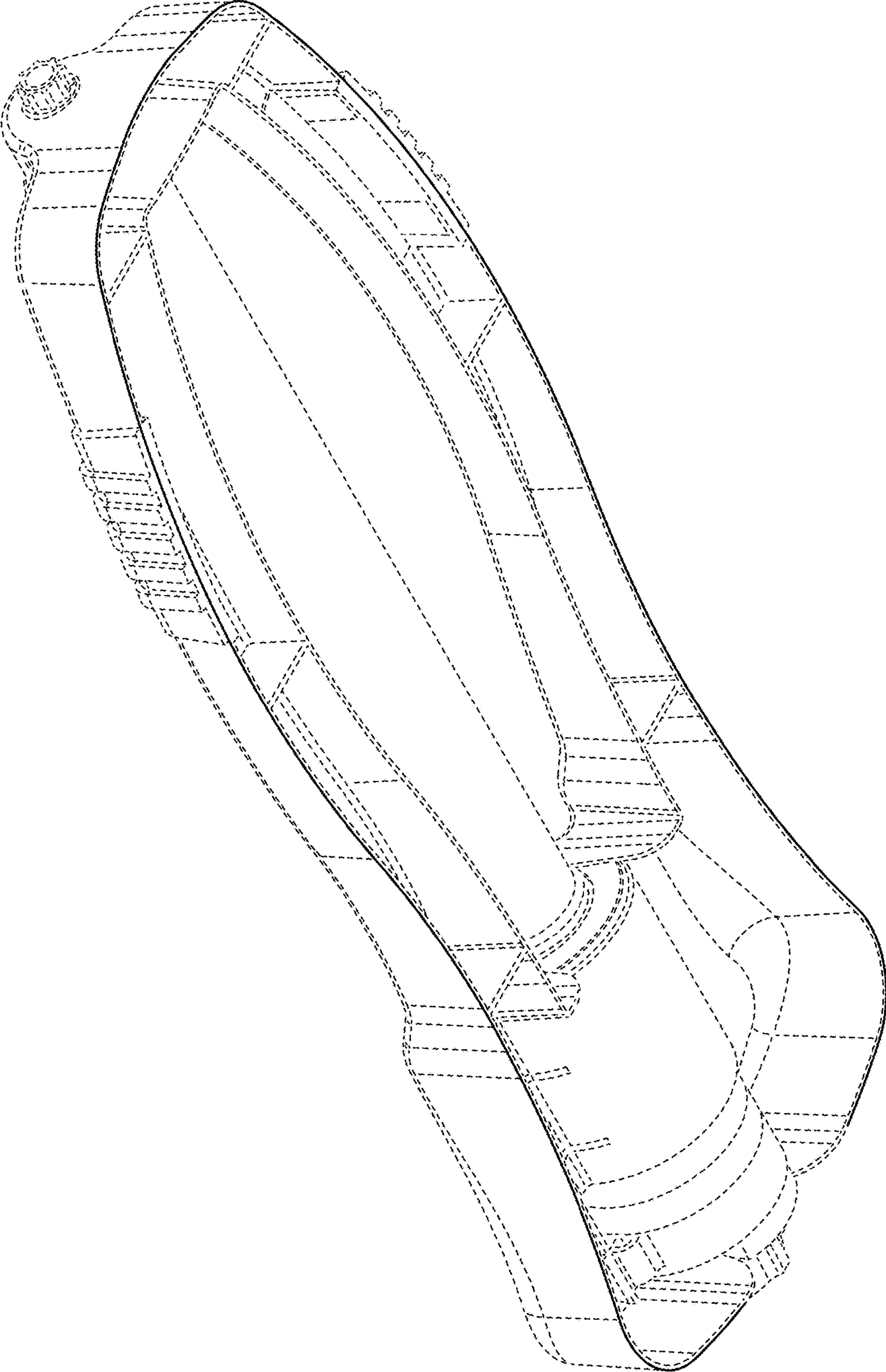


FIG. 2

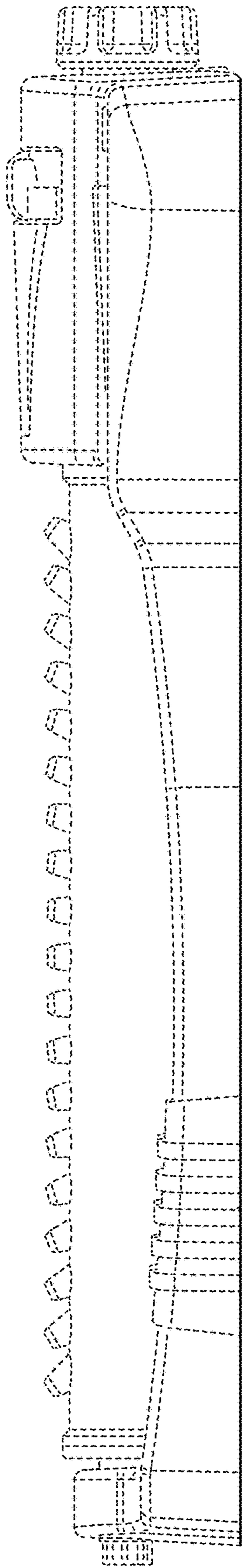


FIG. 3

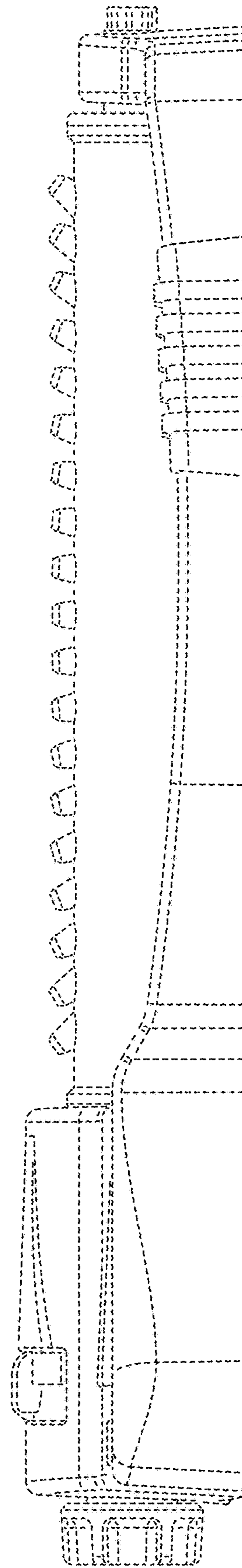
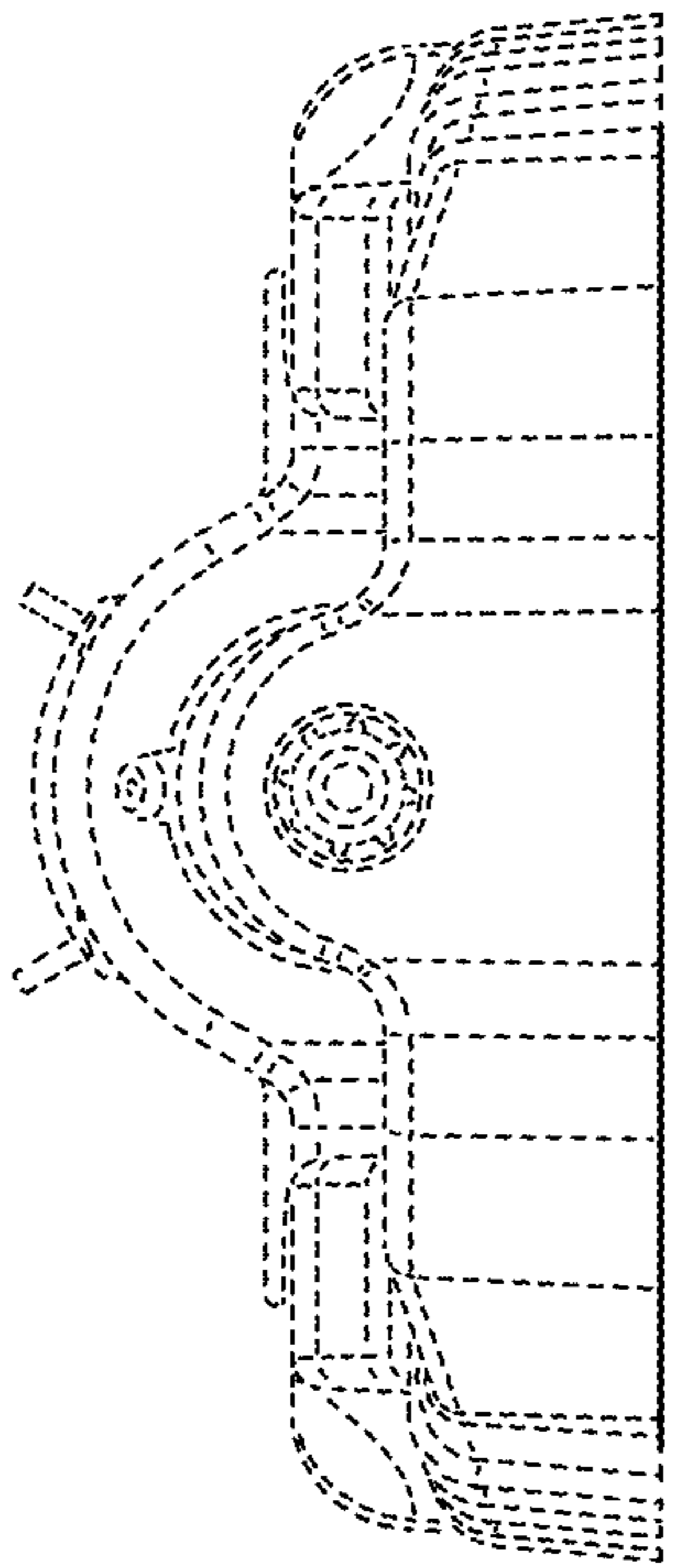
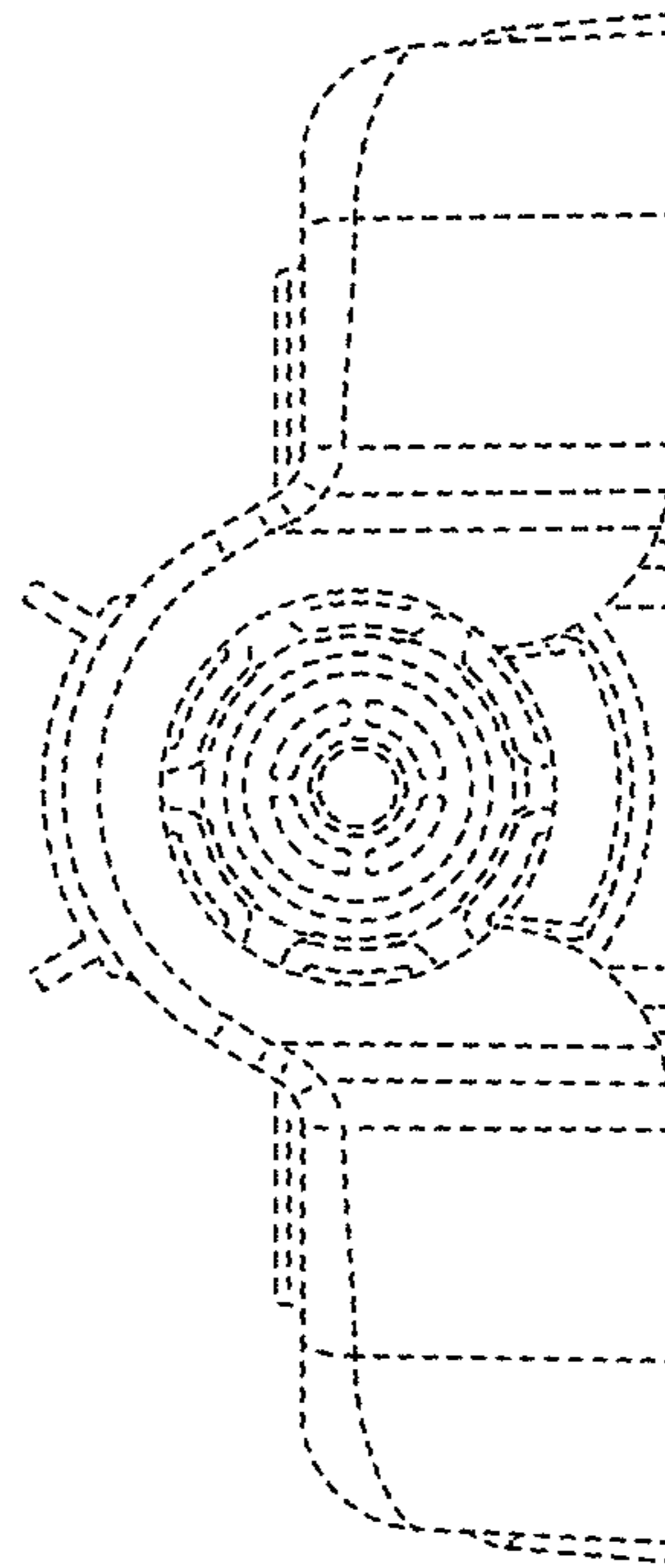


FIG. 4



**FIG. 5**



**FIG. 6**

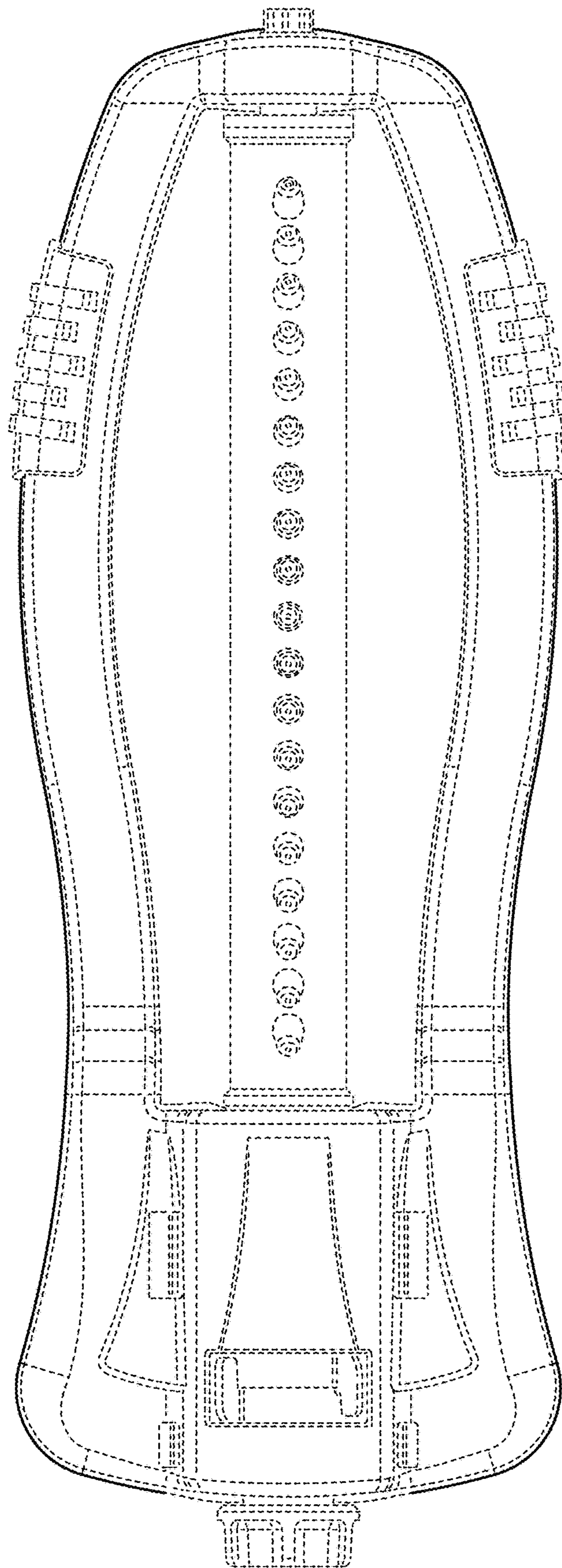


FIG. 7

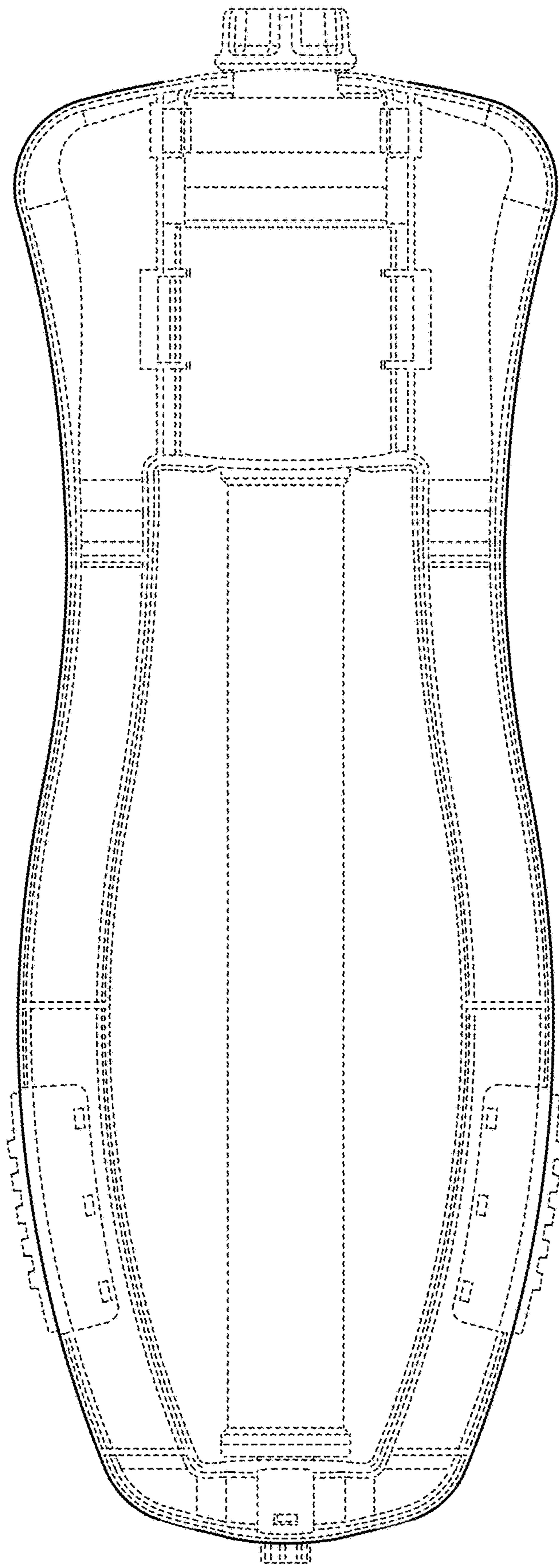


FIG. 8