



US00D806206S

(12) **United States Design Patent**  
**Konagayoshi et al.**

(10) **Patent No.:** **US D806,206 S**

(45) **Date of Patent:** **\*\* Dec. 26, 2017**

(54) **FLOWING WATER STERILIZATION  
MODULE**

(71) Applicant: **NIKKISO CO., LTD.**, Tokyo (JP)

(72) Inventors: **Hidenori Konagayoshi**, Ishikawa (JP);  
**Hiroaki Mochizuki**, Ishikawa (JP);  
**Tetsumi Ochi**, Ishikawa (JP); **Shinya  
Watanabe**, Ishikawa (JP)

(73) Assignee: **Nikkiso Co., Ltd.**, Tokyo (JP)

(\*\*) Term: **15 Years**

(21) Appl. No.: **29/573,146**

(22) Filed: **Aug. 3, 2016**

(30) **Foreign Application Priority Data**

Apr. 6, 2016 (JP) ..... 2016-007711

(51) **LOC (10) Cl.** ..... **23-01**

(52) **U.S. Cl.**  
USPC ..... **D23/207**

(58) **Field of Classification Search**  
USPC ..... D23/209; 210/232, 234, 282  
CPC ..... C02F 1/003; B01D 19/0031; B01D 35/30  
See application file for complete search history.

(56) **References Cited**

**U.S. PATENT DOCUMENTS**

D311,947 S \* 11/1990 Kopp ..... D23/209  
6,318,564 B1 \* 11/2001 Archibald ..... B01D 29/35  
169/13

D473,281 S \* 4/2003 Jansson ..... D23/207  
D547,822 S \* 7/2007 Kennedy ..... D23/207  
D561,300 S \* 2/2008 Baba ..... D23/209  
D591,825 S \* 5/2009 Quintel ..... D23/209  
D599,432 S \* 9/2009 Buessler ..... D23/209  
D654,558 S \* 2/2012 Zeng ..... D23/208  
D675,705 S \* 2/2013 Mallol ..... D23/207  
D705,390 S \* 5/2014 Okazaki ..... D23/207  
D705,391 S \* 5/2014 Okazaki ..... D23/207  
D776,786 S \* 1/2017 Okazaki ..... D23/209

\* cited by examiner

*Primary Examiner* — Robin V Webster

(74) *Attorney, Agent, or Firm* — Muncy, Geissler, Olds & Lowe, P.C.

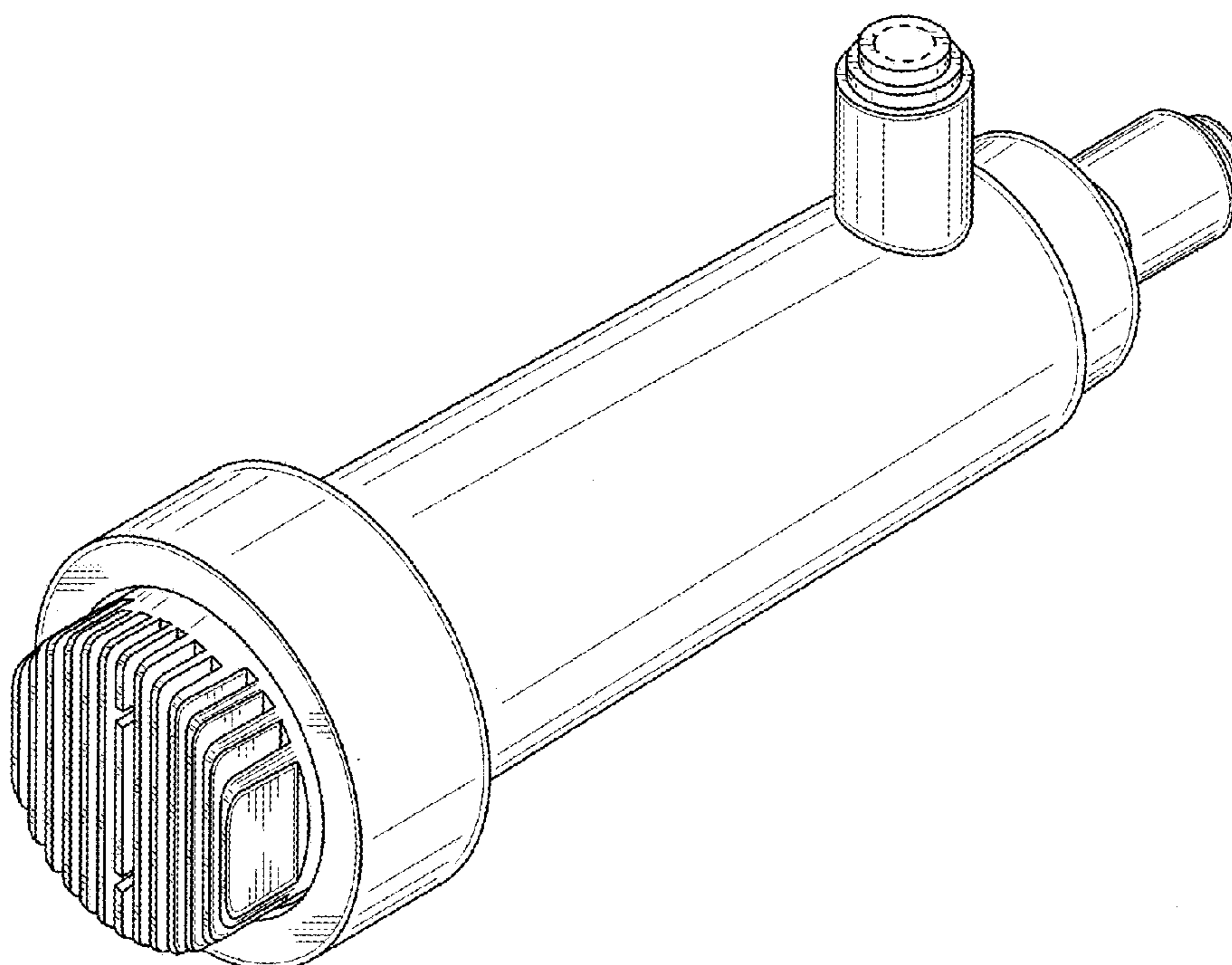
(57) **CLAIM**

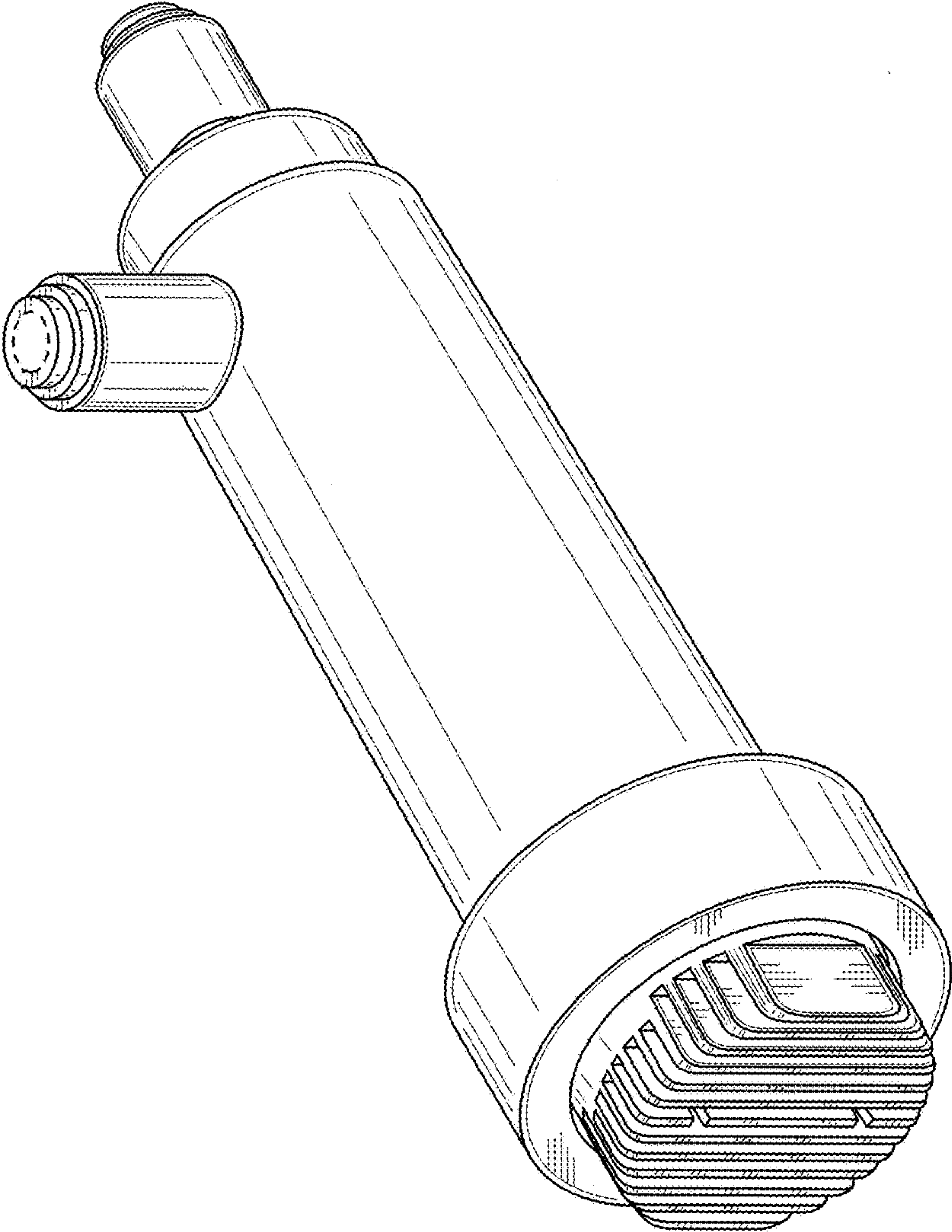
The ornamental design for a flowing water sterilization module, as shown and described.

**DESCRIPTION**

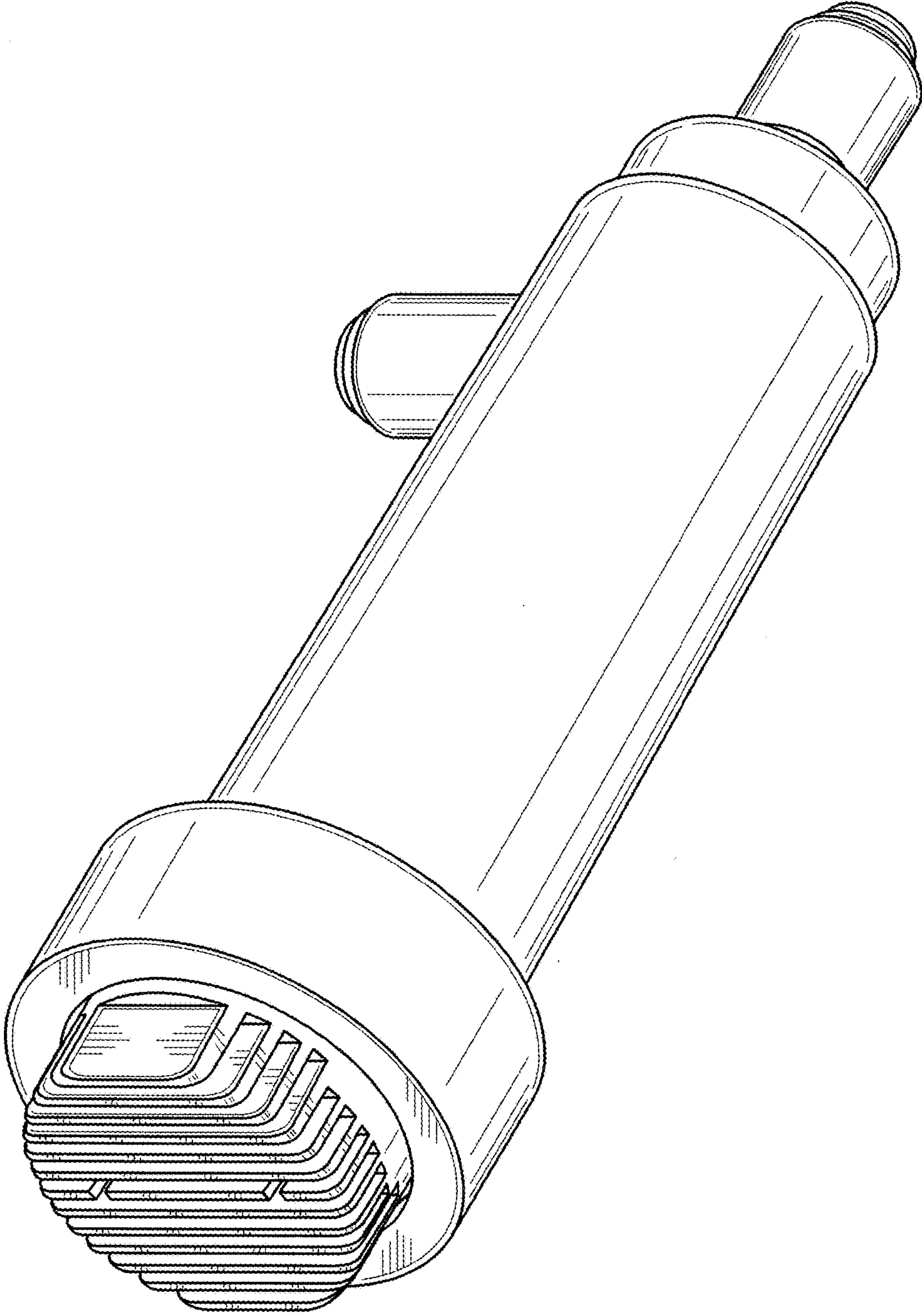
FIG. 1 is a top, left perspective view of a flowing water sterilization module showing our new design; FIG. 2 is a bottom, left perspective view thereof; FIG. 3 is a front elevational view thereof; FIG. 4 is a rear elevational view thereof; FIG. 5 is a left side view thereof; FIG. 6 is a right side view thereof; FIG. 7 is a top plan view thereof; and, FIG. 8 is a bottom plan view thereof. The broken line showing is for the purpose of illustrating portions of the flowing water sterilization module which form no part of the claimed design.

**1 Claim, 6 Drawing Sheets**



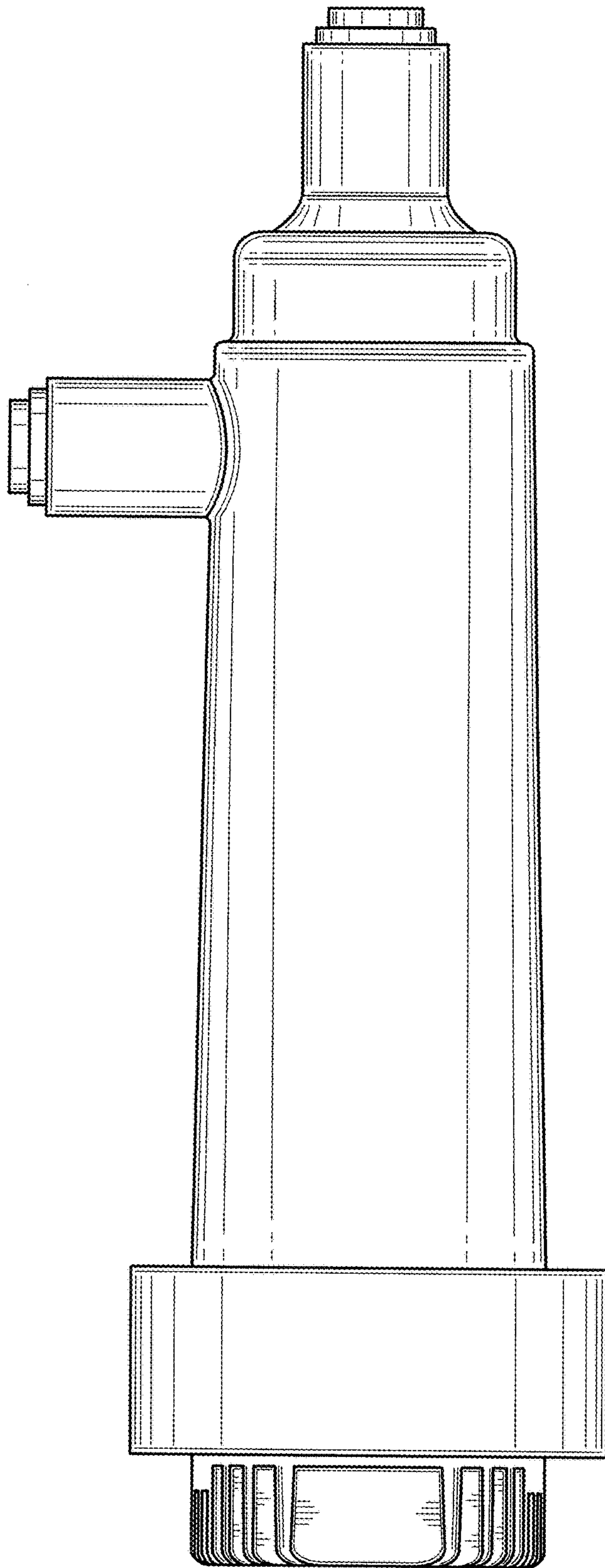


**FIG. 1**

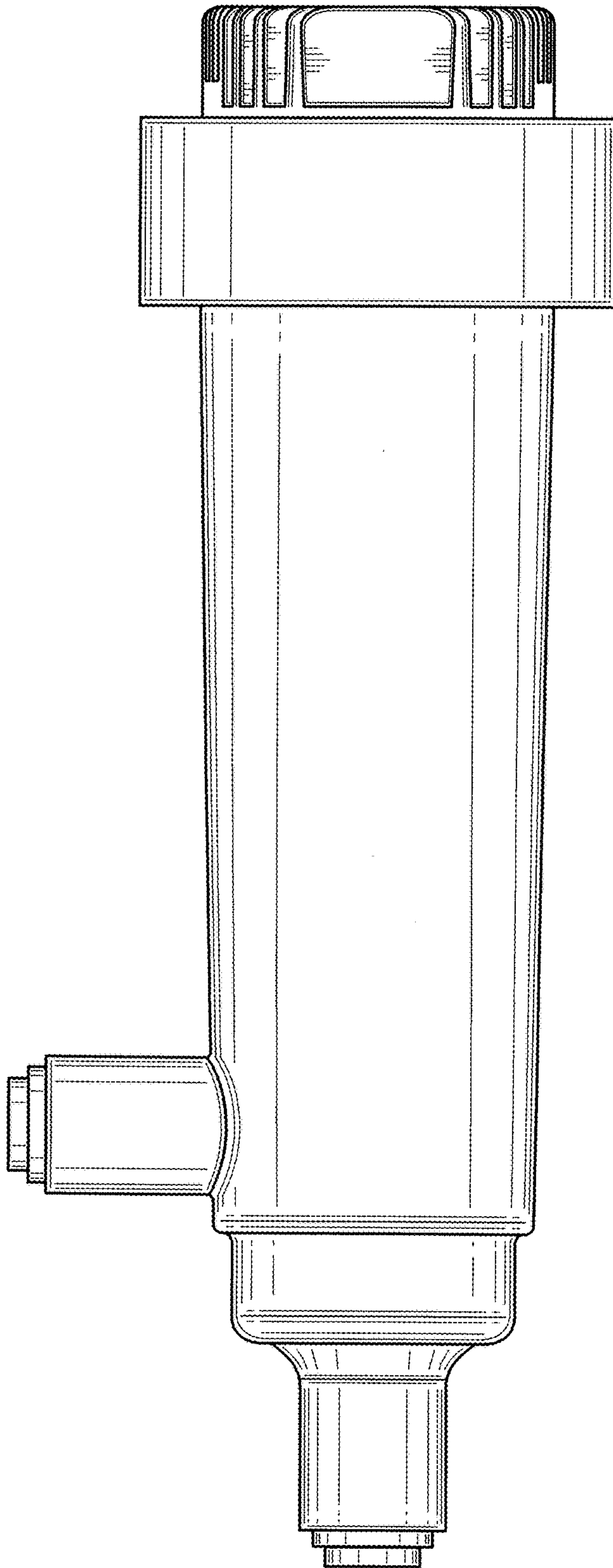


**FIG. 2**

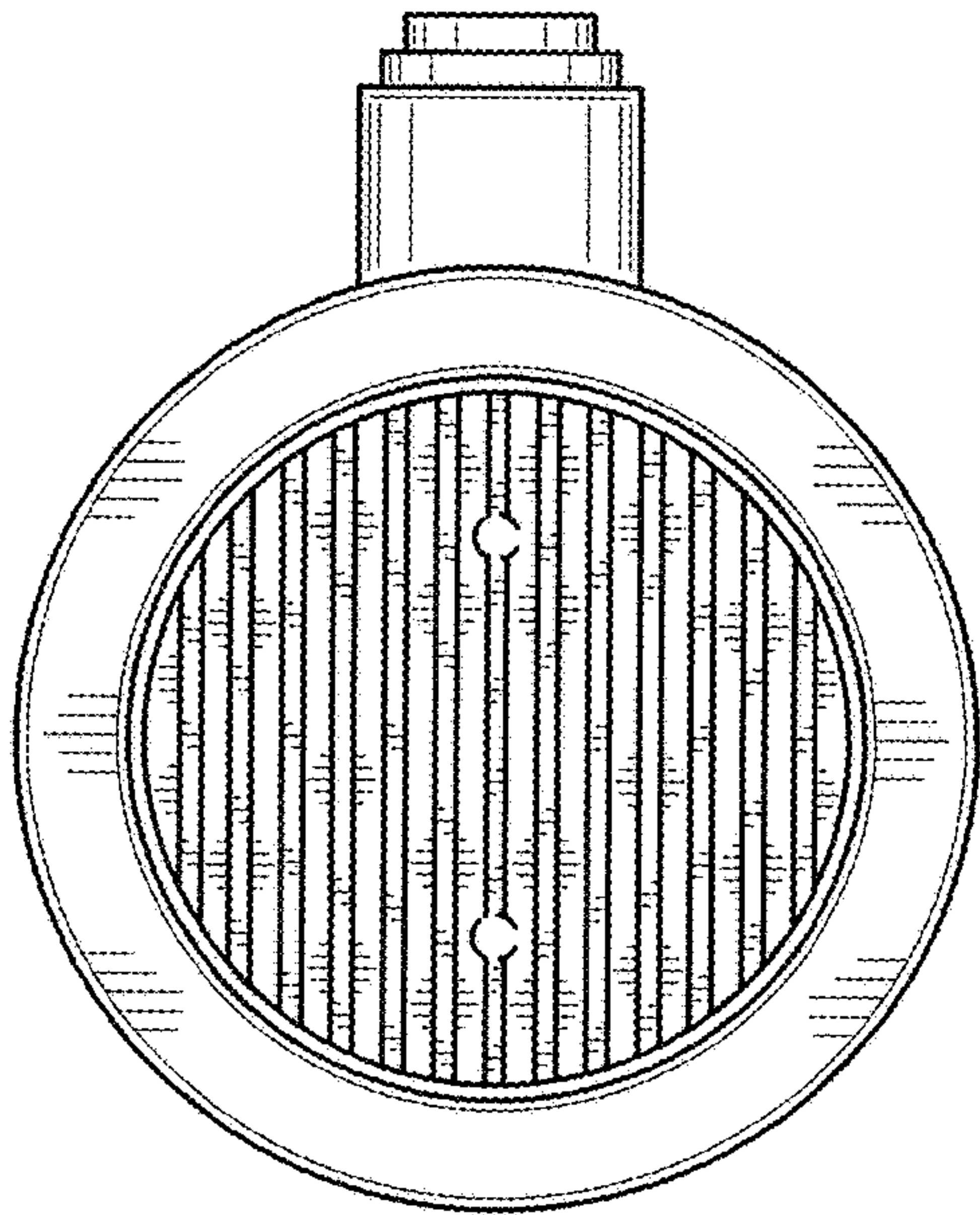




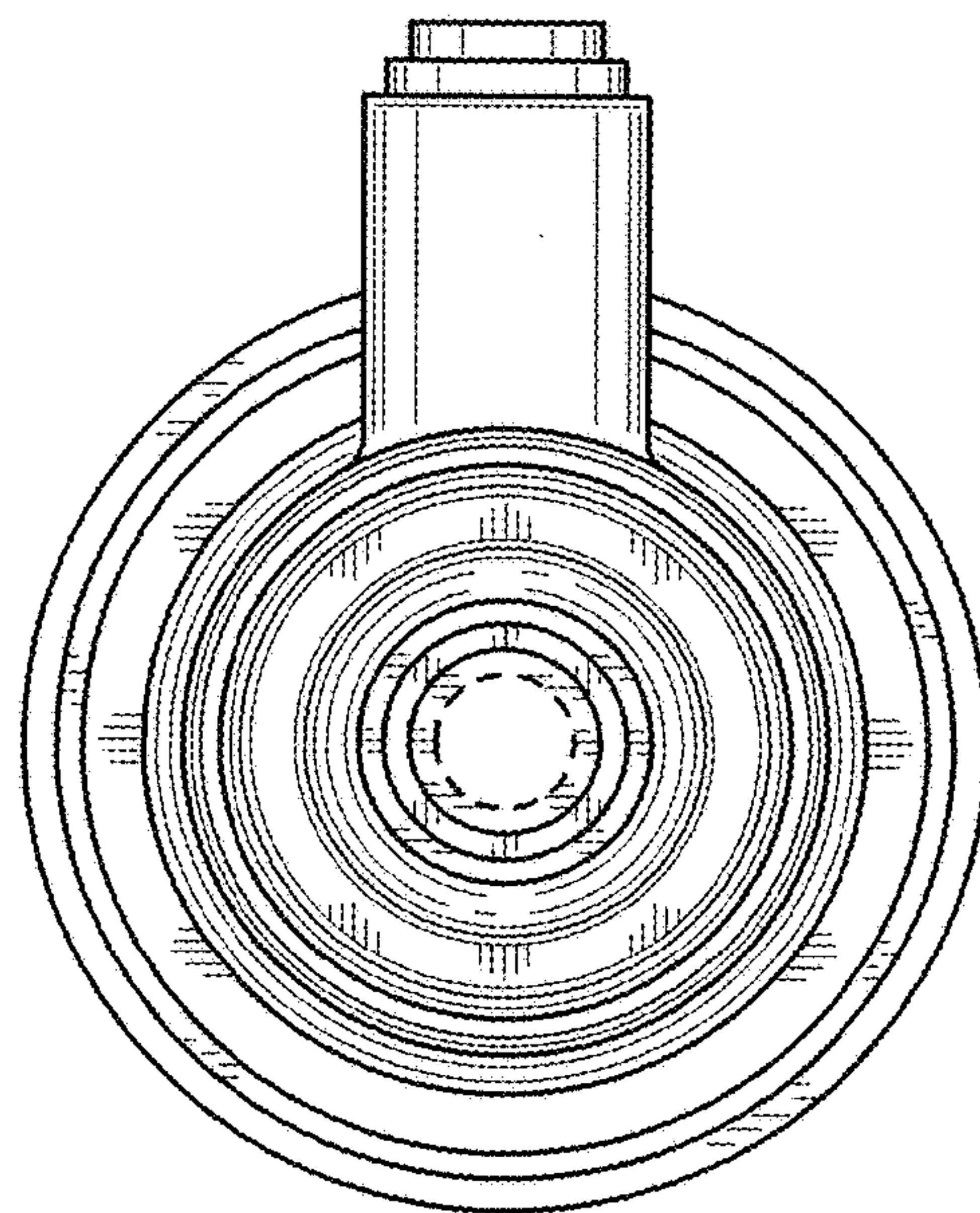
**FIG. 3**



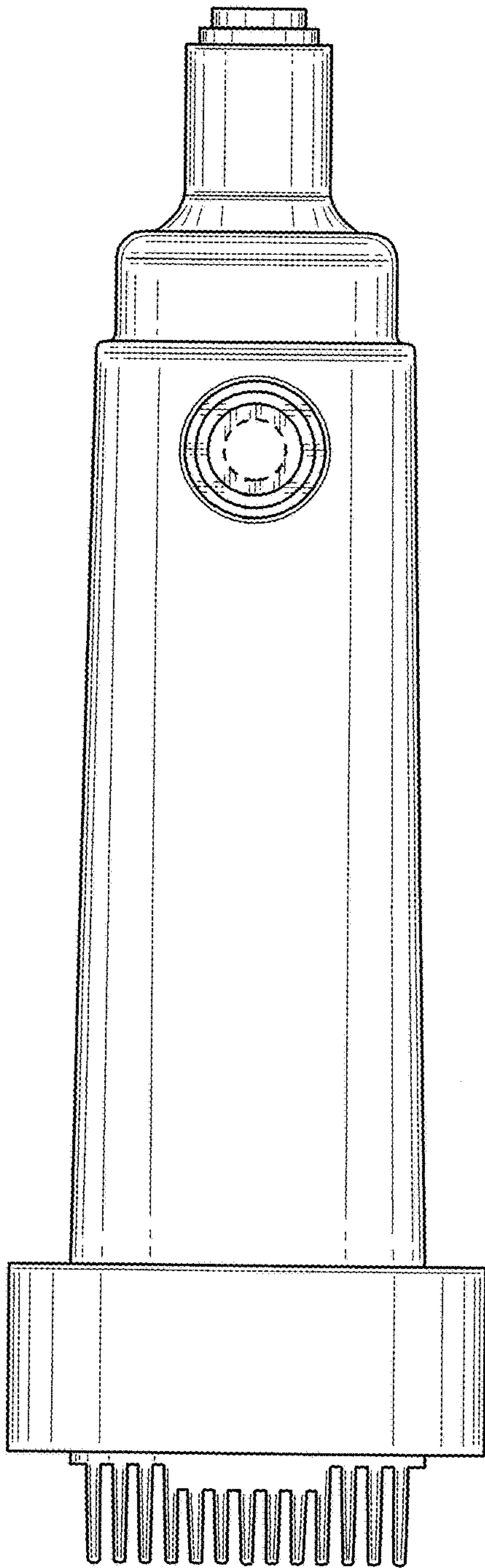
**FIG. 4**



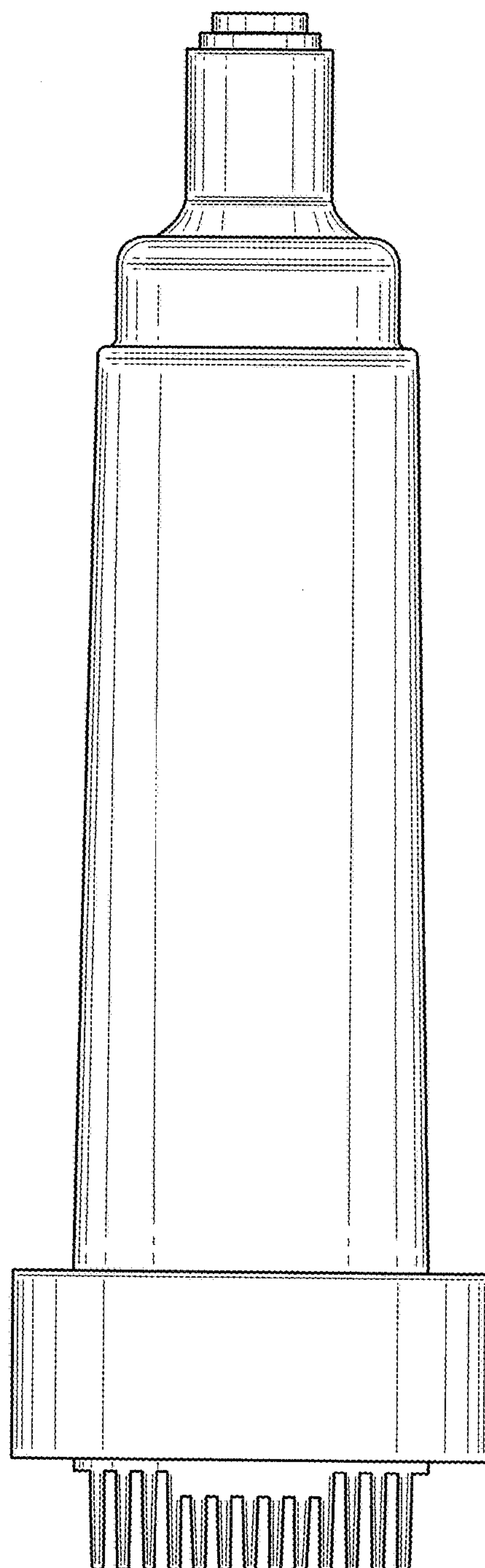
**FIG. 5**



**FIG. 6**



**FIG. 7**



**FIG. 8**