



US00D806198S

(12) **United States Design Patent**  
**Shelton et al.**

(10) **Patent No.:** **US D806,198 S**

(45) **Date of Patent:** **\*\* Dec. 26, 2017**

(54) **NUT FOR ATTACHING A PANEL TO A RAIL OF A FIREARM**

(71) Applicant: **RailScales LLC**, Broken Arrow, OK (US)

(72) Inventors: **Derek Hunter Shelton**, Claremore, OK (US); **Brent Taylor McGuire**, Depew, OK (US)

(73) Assignee: **RAILSCALES LLC**, Claremore, OK (US)

(\*\*) Term: **15 Years**

(21) Appl. No.: **29/560,156**

(22) Filed: **Apr. 4, 2016**

(51) **LOC (10) Cl.** ..... **22-01**

(52) **U.S. Cl.**  
USPC ..... **D22/108**

(58) **Field of Classification Search**  
USPC ..... D22/108; D23/259, 262, 265, 268, 269;  
D8/382, 352, 354

CPC ..... F16L 15/02; F16L 15/0406; F16L 15/08;  
F16L 15/025; F16L 15/035; F16L 23/00;  
F16L 23/12; F16L 23/16; F16L 23/18;  
F16L 23/036; F16L 19/0206; F02F 11/00;  
B25B 13/04; F41A 21/482

See application file for complete search history.

(56) **References Cited**

**U.S. PATENT DOCUMENTS**

D321,468 S \* 11/1991 Reid ..... D8/352  
D373,069 S \* 8/1996 McCarthy ..... D8/354

D454,057 S \* 3/2002 Pamer ..... D8/397  
D699,558 S \* 2/2014 Smith ..... D8/397  
D713,715 S \* 9/2014 Kury ..... D8/397  
D724,936 S \* 3/2015 Coronado ..... D8/397  
9,228,682 B1 \* 1/2016 Rocheleau ..... F16L 23/0283  
D748,464 S \* 2/2016 Kury ..... D8/397  
D753,784 S \* 4/2016 Montes ..... D22/108  
D779,641 S \* 2/2017 Guajardo ..... D23/262

\* cited by examiner

*Primary Examiner* — Karen S Acker

*Assistant Examiner* — Steven B Reinholdt, Jr.

(74) *Attorney, Agent, or Firm* — Eversheds Sutherland (US) LLP

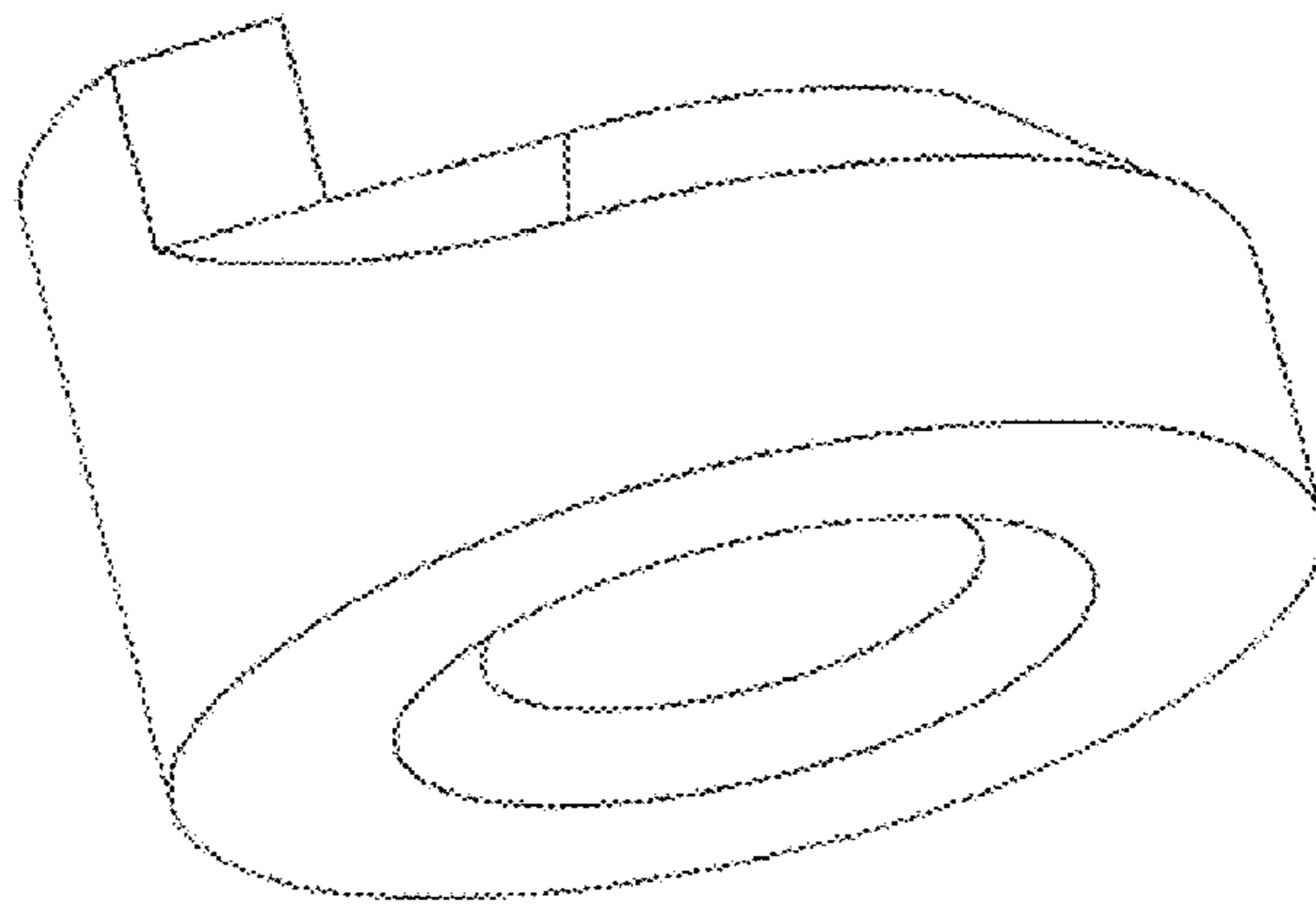
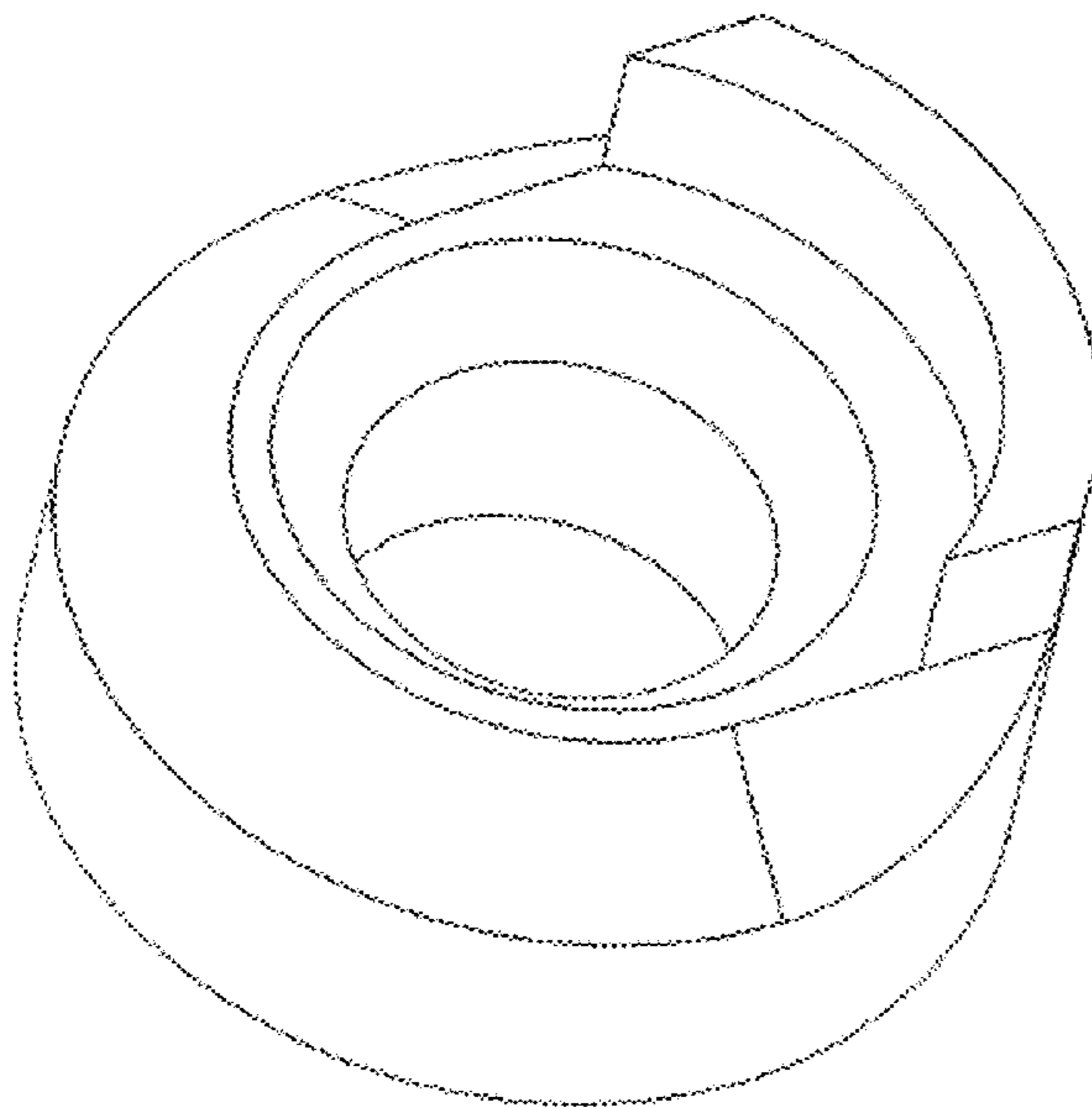
(57) **CLAIM**

The ornamental design for a nut for attaching a panel to a rail of a firearm, as shown and described.

**DESCRIPTION**

FIG. 1 is a perspective view of a nut for attaching a panel to a rail of a firearm;  
FIG. 2 is a perspective view thereof;  
FIG. 3 is a perspective view thereof;  
FIG. 4 is a top view thereof;  
FIG. 5 is a bottom view thereof;  
FIG. 6 is a front view thereof;  
FIG. 7 is a rear view thereof;  
FIG. 8 is a side view thereof; and,  
FIG. 9 is a side view thereof.

**1 Claim, 9 Drawing Sheets**



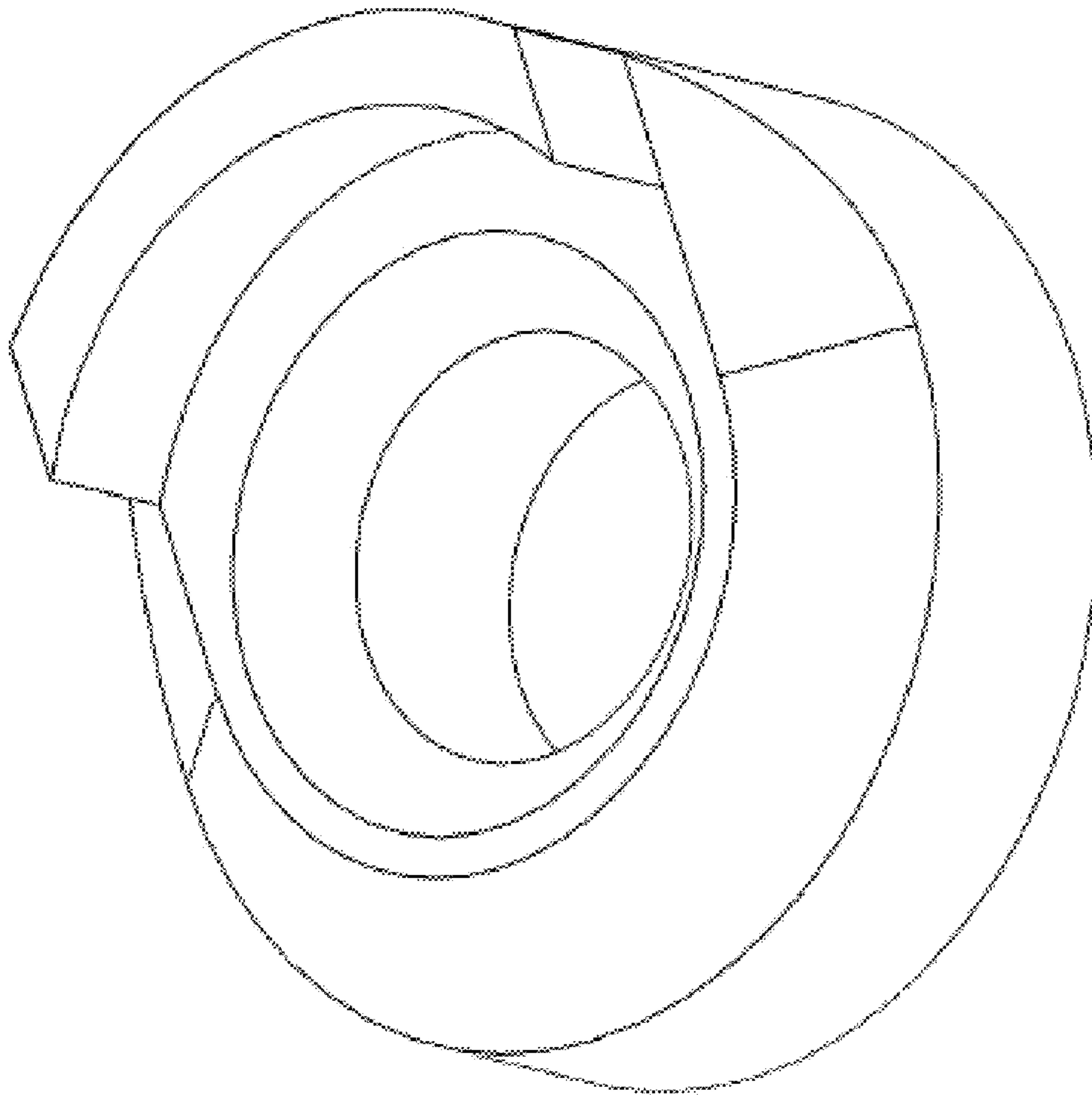


FIG. 1

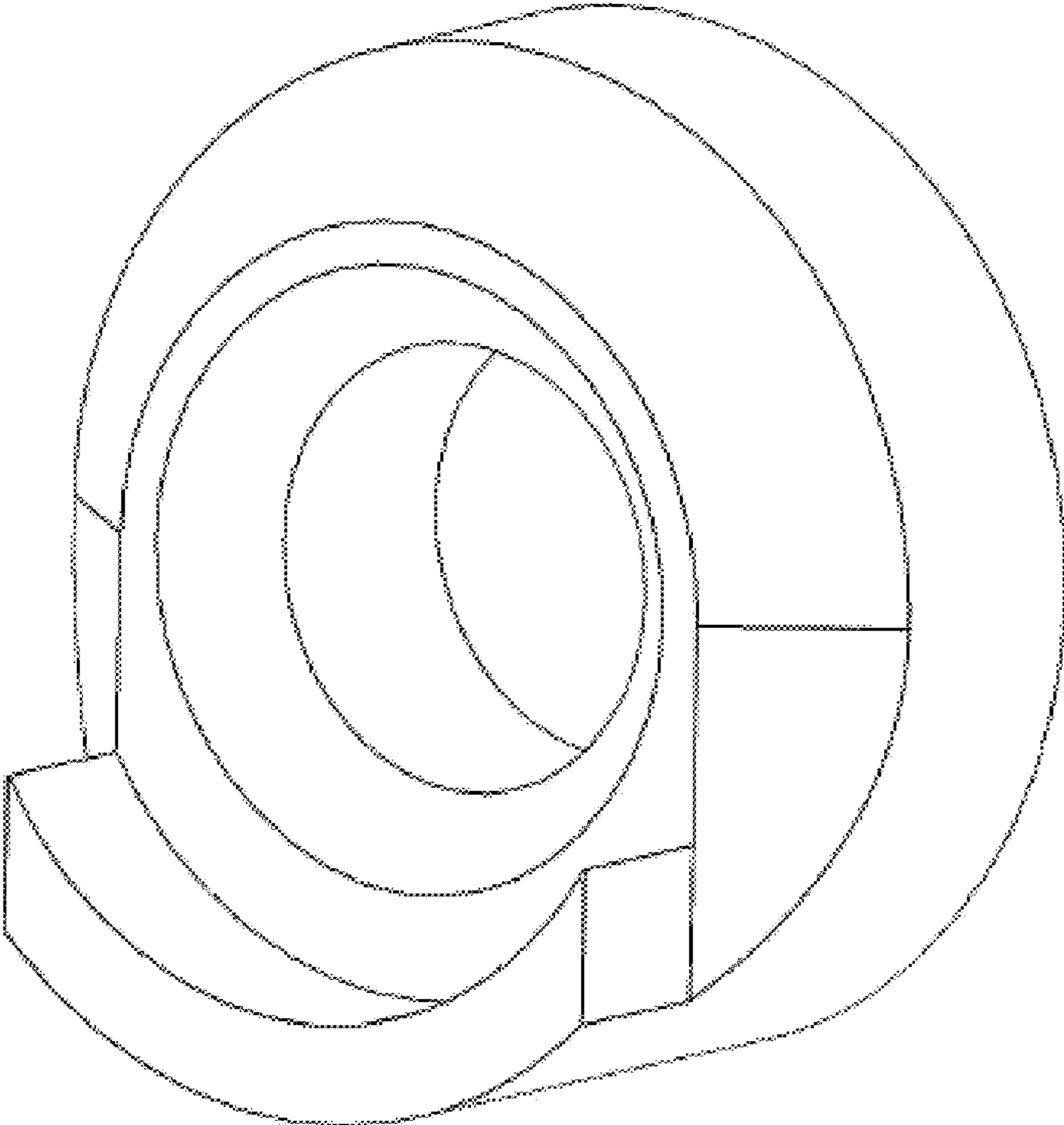


FIG. 2

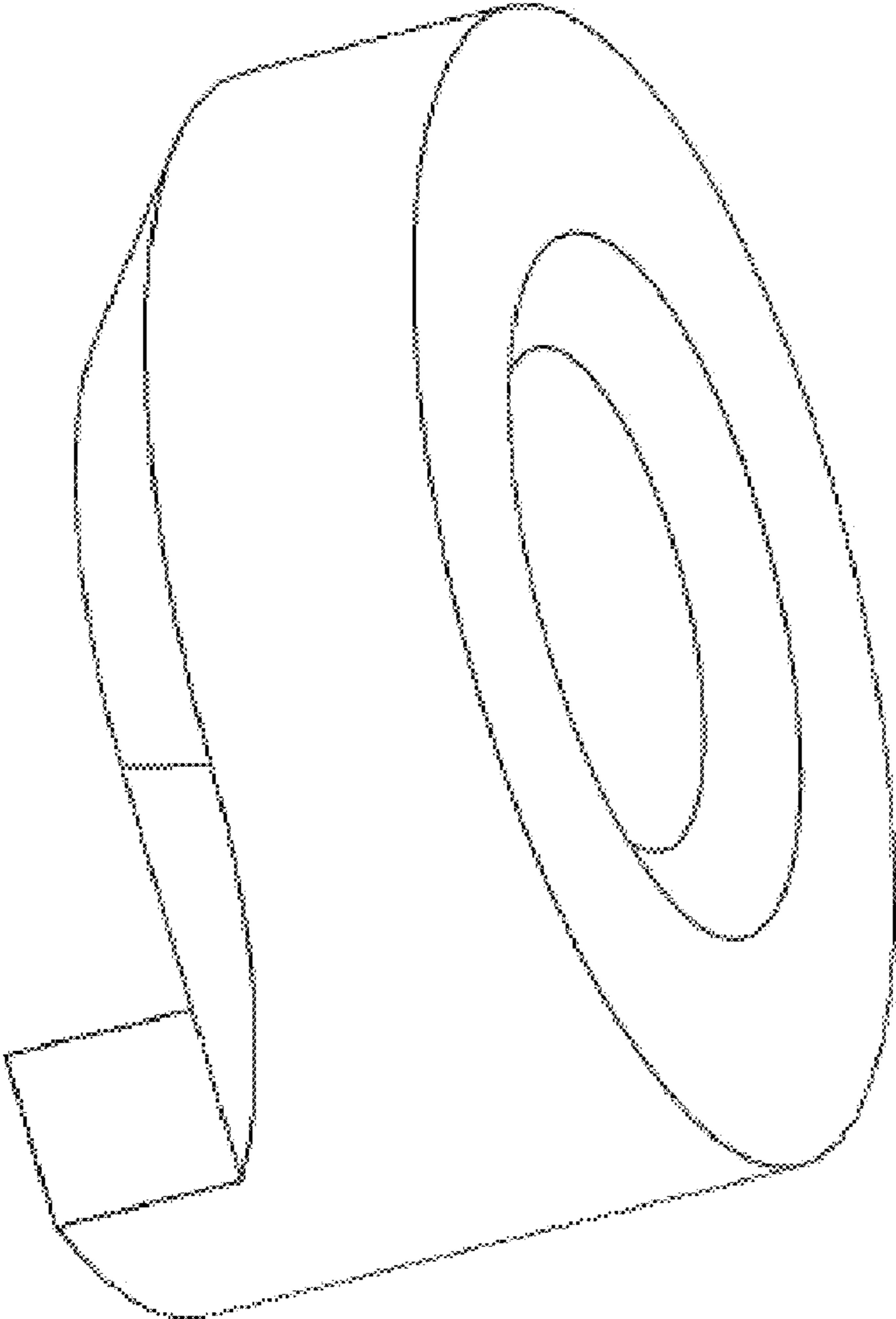


FIG. 3

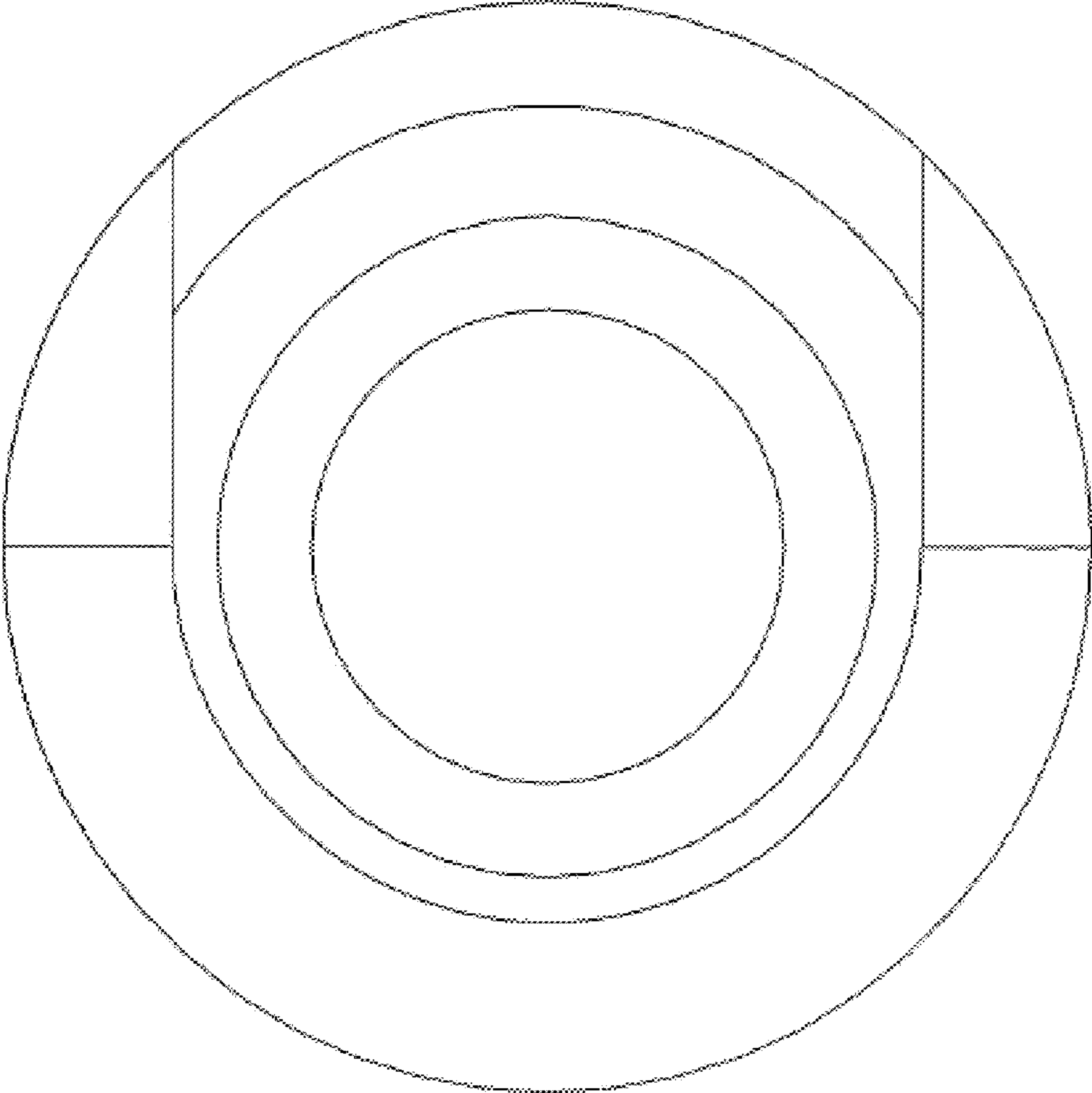


FIG. 4

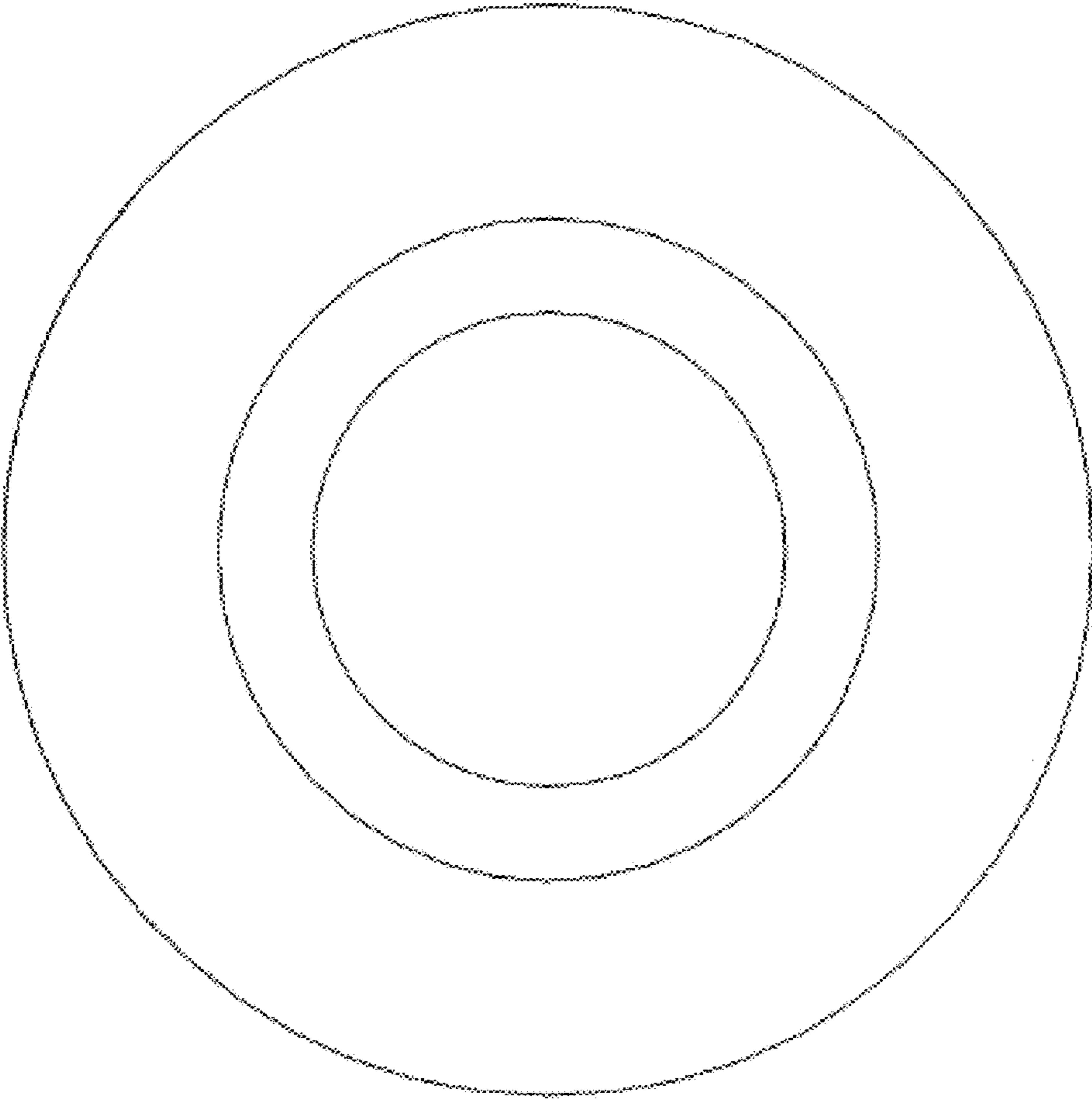


FIG. 5

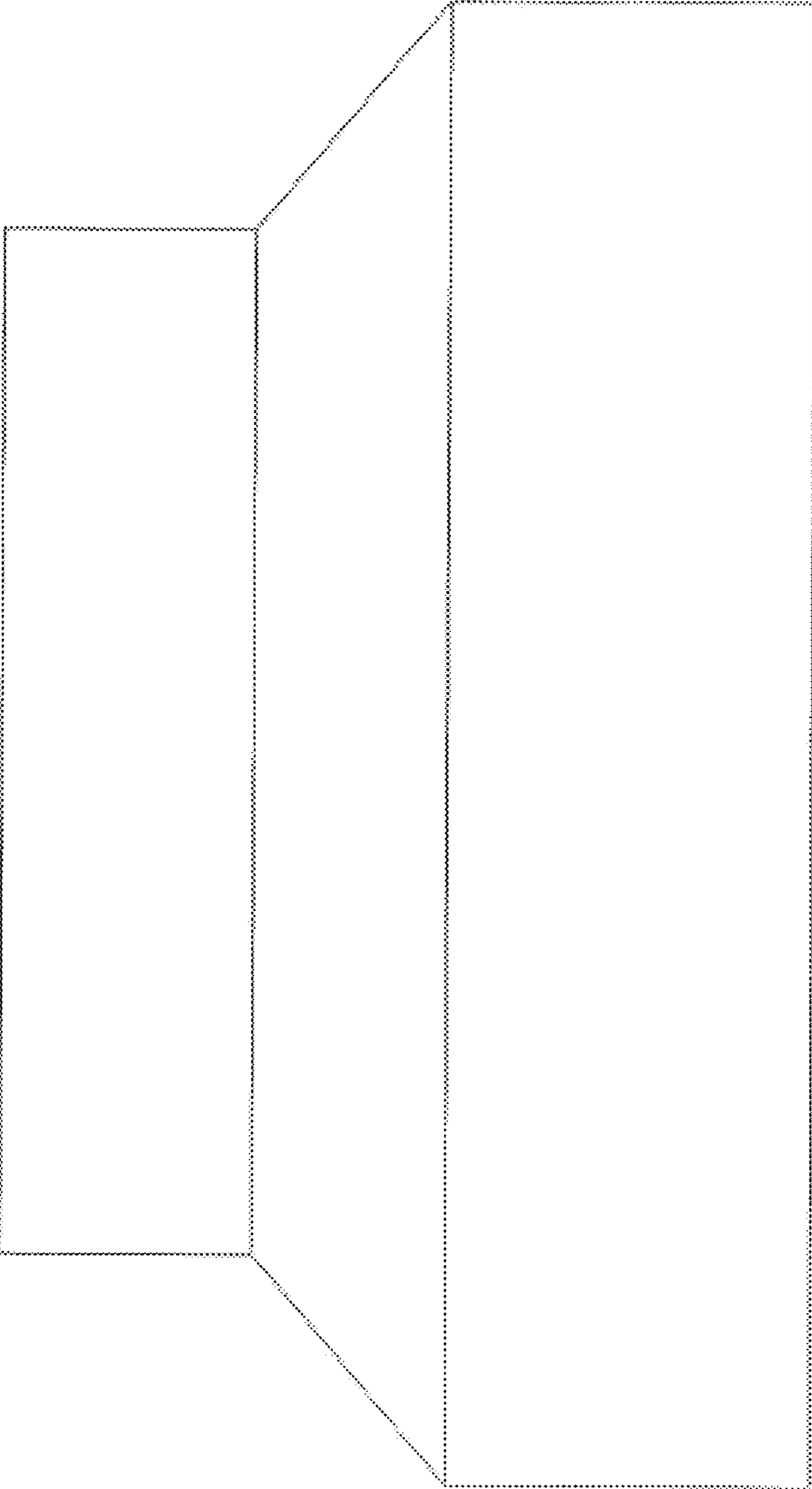


FIG. 6

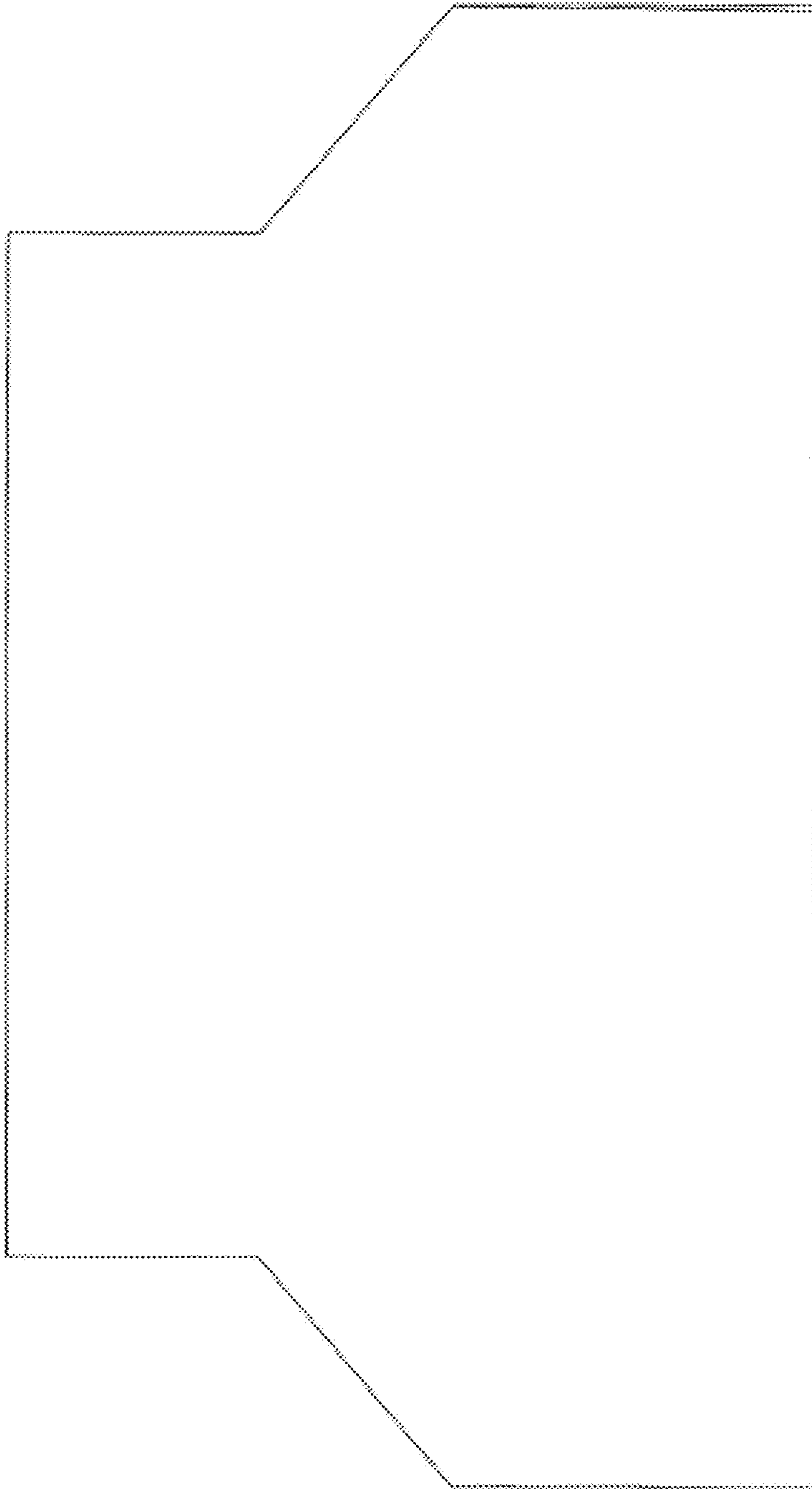


FIG. 7



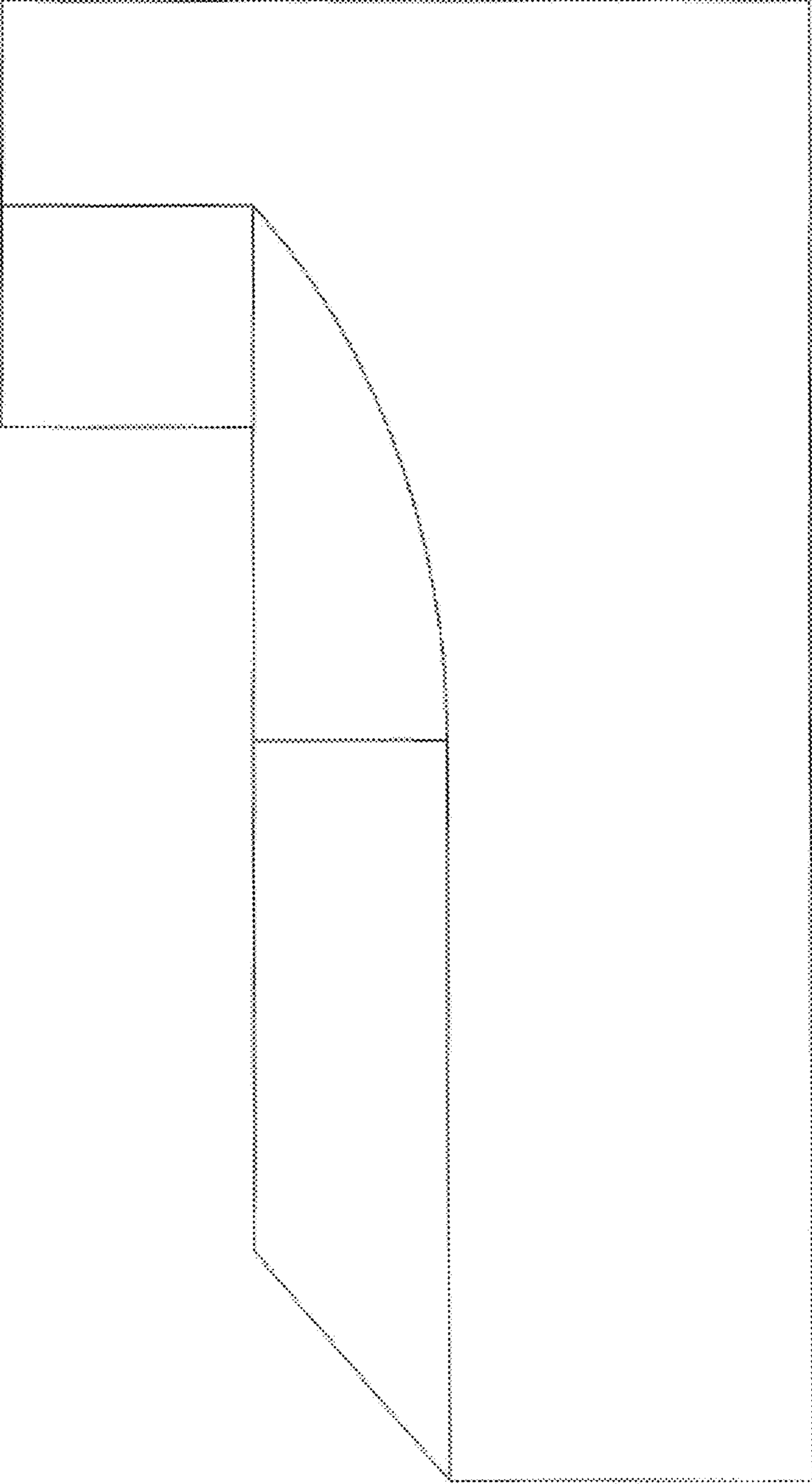


FIG. 8

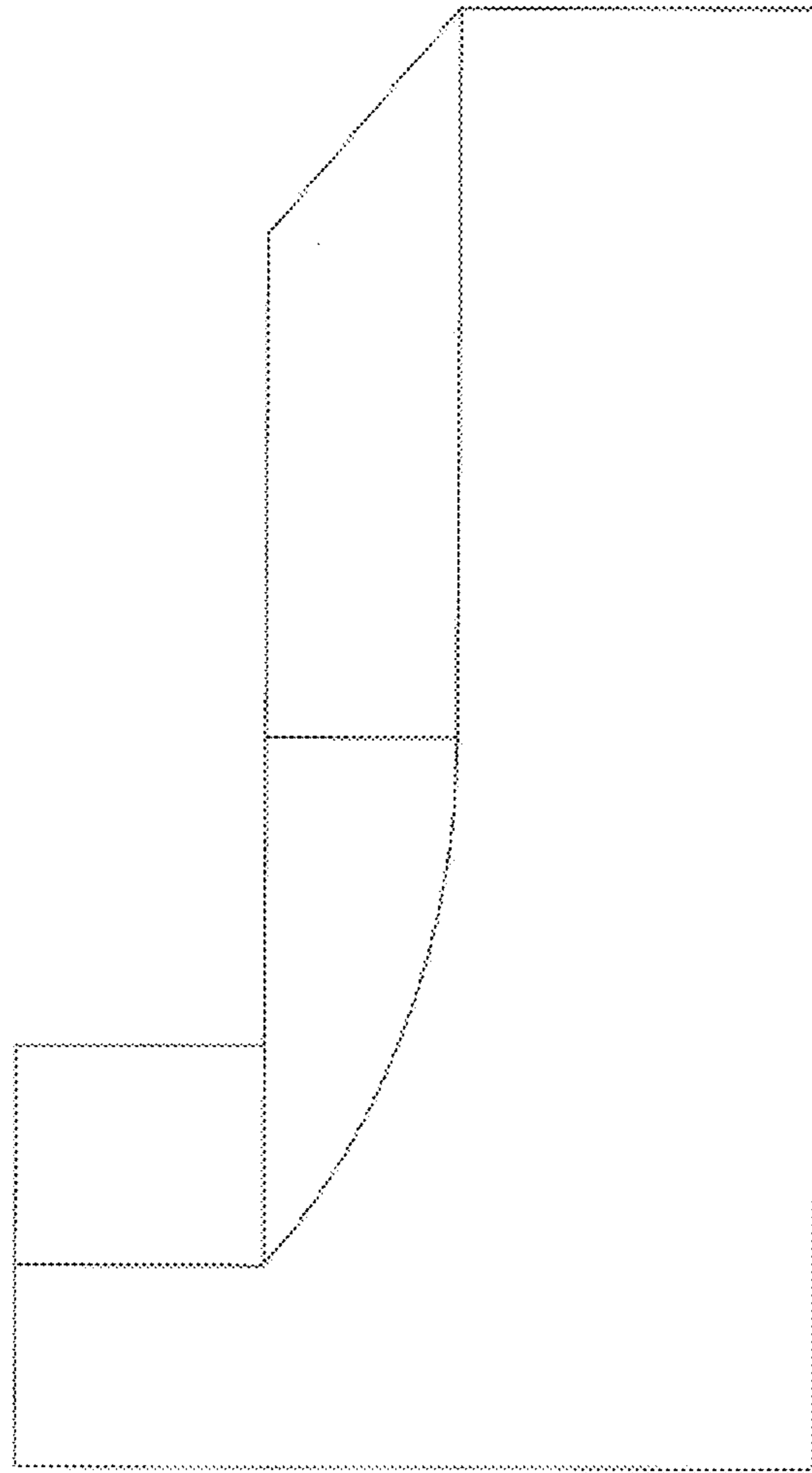


FIG. 9