



US00D806194S

(12) **United States Design Patent**  
**Desrochers**

(10) **Patent No.:** **US D806,194 S**

(45) **Date of Patent:** **\*\* Dec. 26, 2017**

(54) **BLADE HOLDER FOR AN ICE SKATE**

(71) Applicant: **Charles-Antoine Desrochers**, Prevost  
(CA)

(72) Inventor: **Charles-Antoine Desrochers**, Prevost  
(CA)

(73) Assignee: **BAUER HOCKEY, LLC**, Exeter, NH  
(US)

(\*\*) Term: **15 Years**

(21) Appl. No.: **29/505,582**

(22) Filed: **Dec. 23, 2015**

(51) **LOC (10) Cl.** ..... **21-02**

(52) **U.S. Cl.**  
USPC ..... **D21/761; D21/771**

(58) **Field of Classification Search**

USPC ..... D21/760, 761, 762, 771, 772, 776;  
280/7.13, 11.12, 11.15, 11.14, 11.17,  
280/11.18, 11.223, 11.3, 825, 841  
CPC .... A63C 1/00; A63C 1/30; A63C 1/32; A63C  
1/34; A63C 1/40; A63C 3/00; A63C  
17/00; A63C 17/18; A63C 17/20  
See application file for complete search history.

(56) **References Cited**

**U.S. PATENT DOCUMENTS**

405,779 A \* 6/1889 Knerr ..... A63C 1/30  
280/11.12  
D248,583 S \* 7/1978 Zuuring ..... D21/761  
4,150,837 A \* 4/1979 Zuuring ..... A63C 1/02  
280/11.12  
D286,903 S \* 11/1986 Olivieri ..... D21/761  
D305,560 S \* 1/1990 Hoshizaki ..... D2/904

D416,599 S \* 11/1999 Reynolds ..... D21/761  
D486,196 S \* 2/2004 Lefebvre ..... D21/761  
D488,845 S \* 4/2004 Labonte ..... D21/761  
D490,131 S \* 5/2004 LaBonte ..... D21/761  
D533,246 S \* 12/2006 Koyess ..... D21/771  
7,543,826 B2 \* 6/2009 Labonte ..... A63C 1/02  
280/11.12  
7,628,405 B2 \* 12/2009 Smith, II ..... A63C 1/30  
280/11.12  
D641,060 S \* 7/2011 Boucher ..... D21/771

\* cited by examiner

*Primary Examiner* — Cynthia M Chin

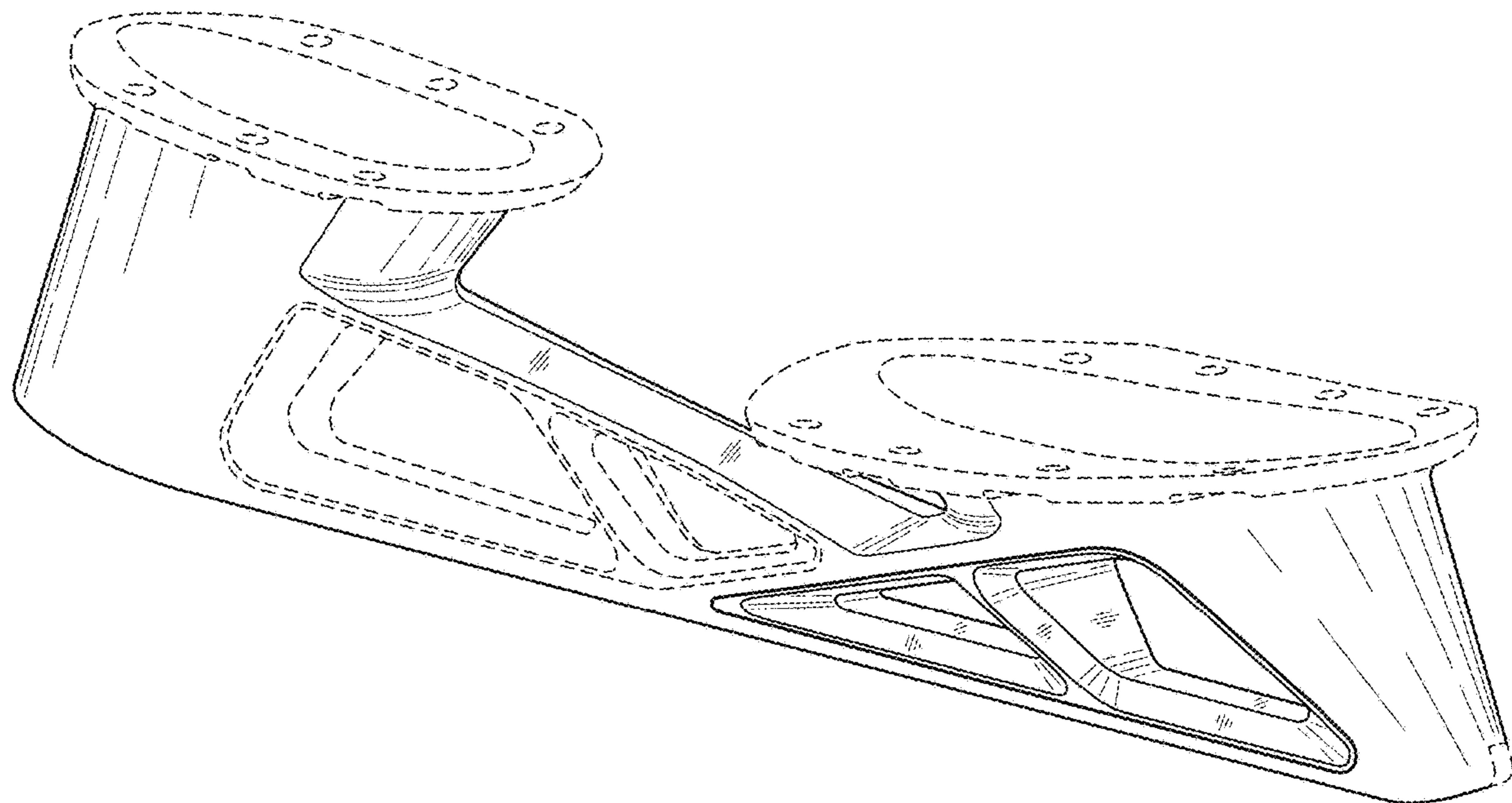
(57) **CLAIM**

I claim the ornamental design for a blade holder for an ice skate, as shown and described.

**DESCRIPTION**

FIG. 1 is a perspective view of a blade holder for an ice skate in accordance with my new design;  
FIG. 2 is another perspective view of the blade holder of FIG. 1;  
FIG. 3 is a lateral side elevation view of the blade holder of FIG. 1;  
FIG. 4 is a medial side elevation view of the blade holder of FIG. 1;  
FIG. 5 is a front end view of the blade holder of FIG. 1; and,  
FIG. 6 is a rear end view of the blade holder of FIG. 1.  
The broken lines shown are included for the purpose of illustrating portions of the article which form no part of the claimed design.

**1 Claim, 4 Drawing Sheets**



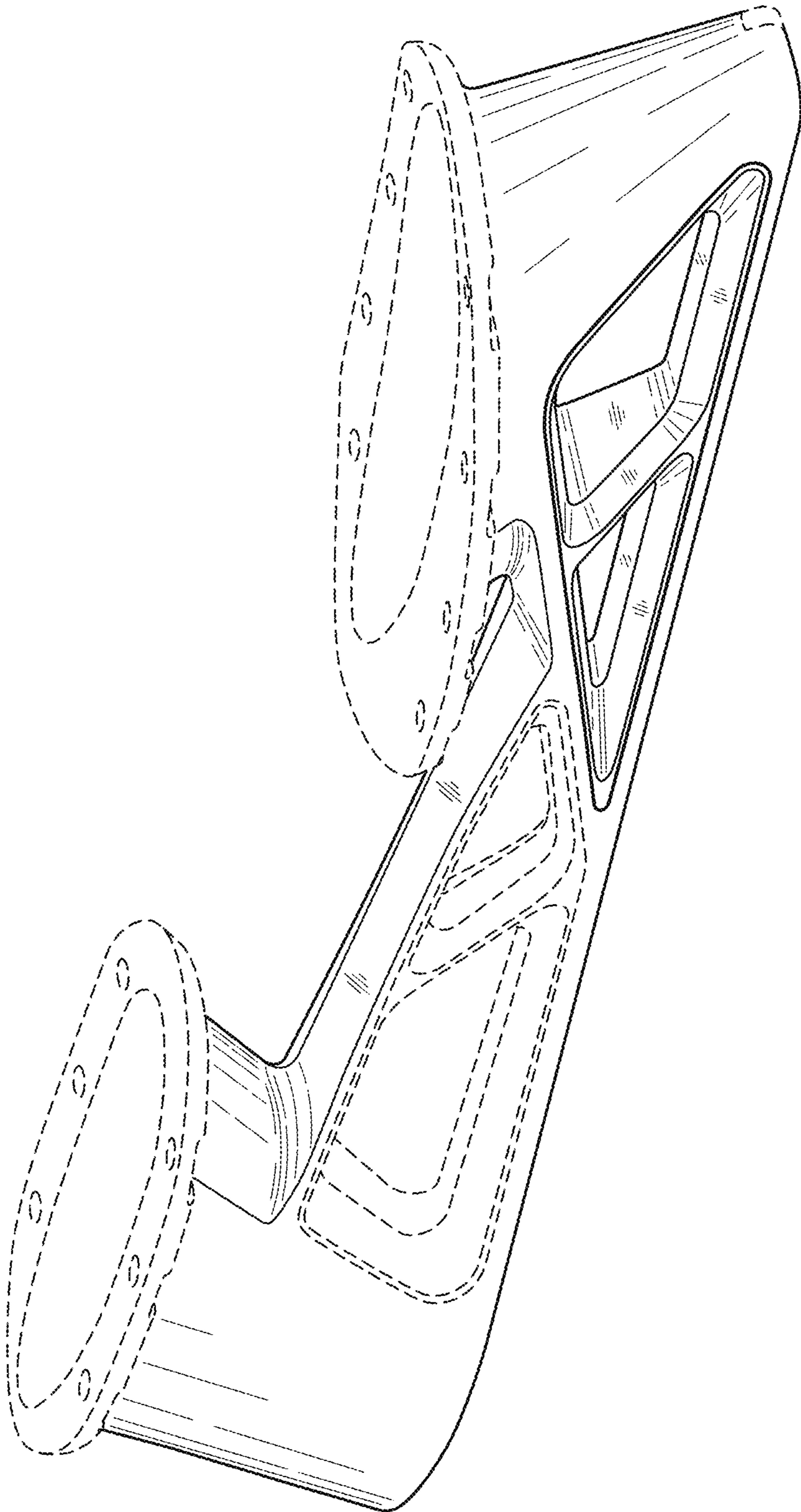


FIG. 1

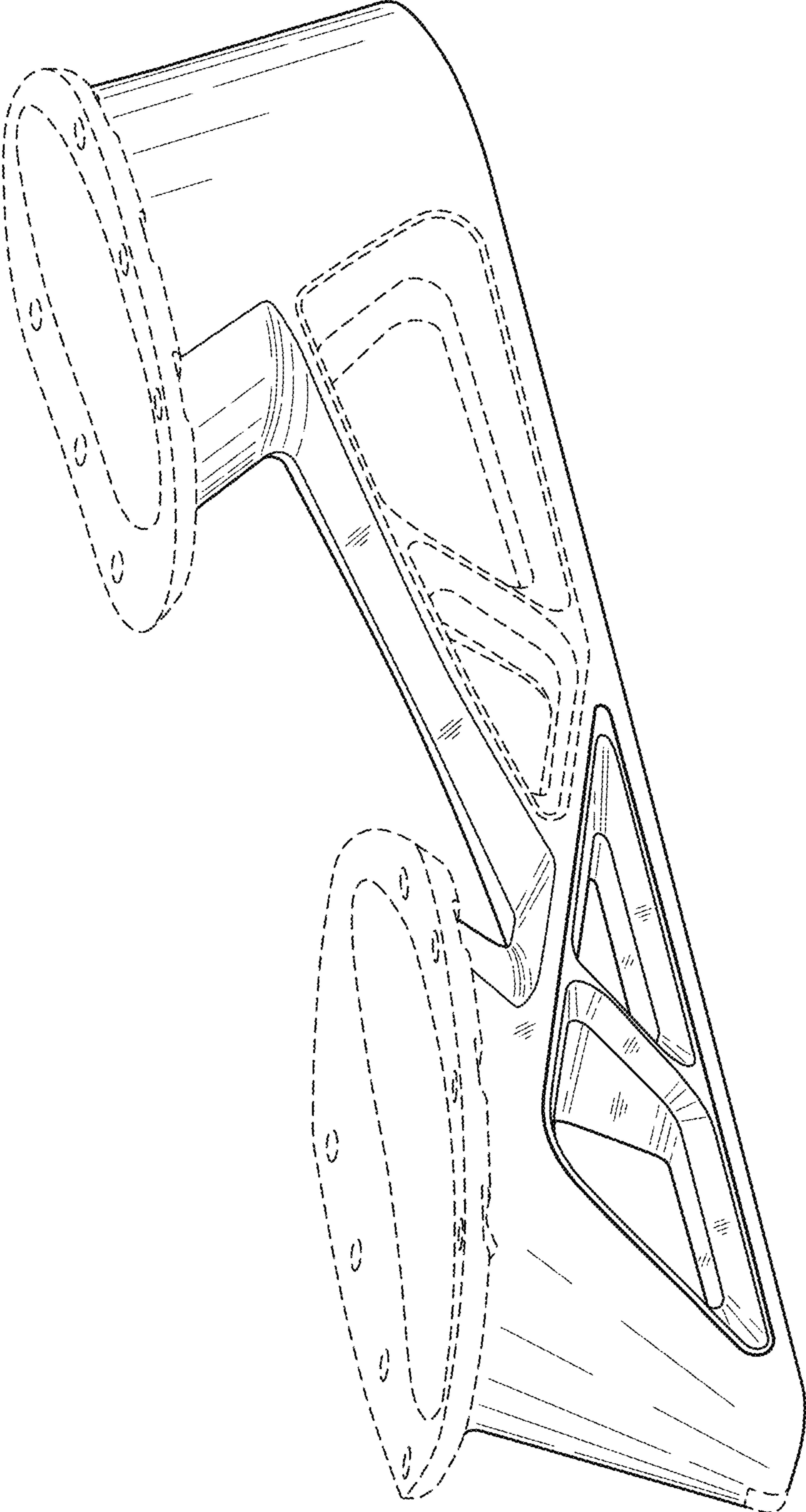


FIG. 2

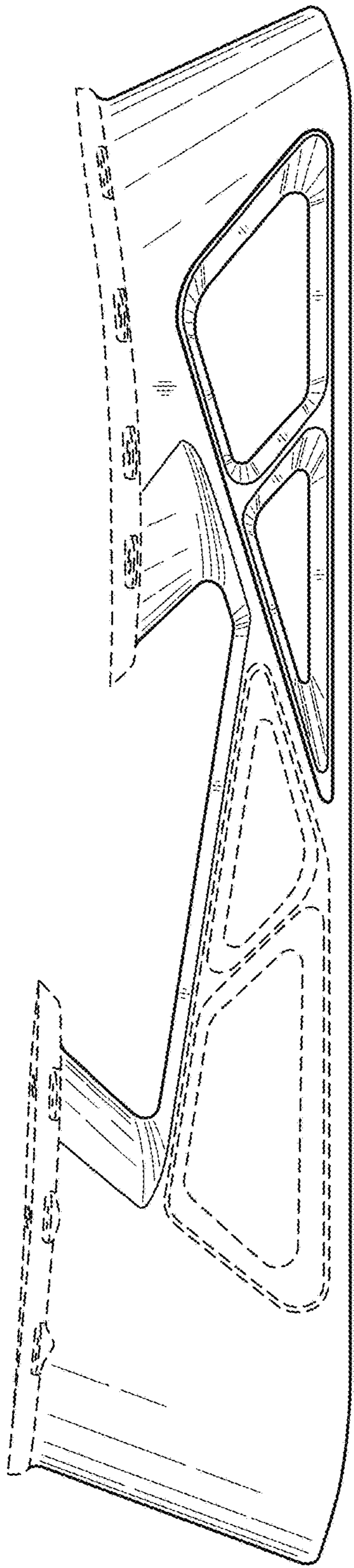


FIG. 3

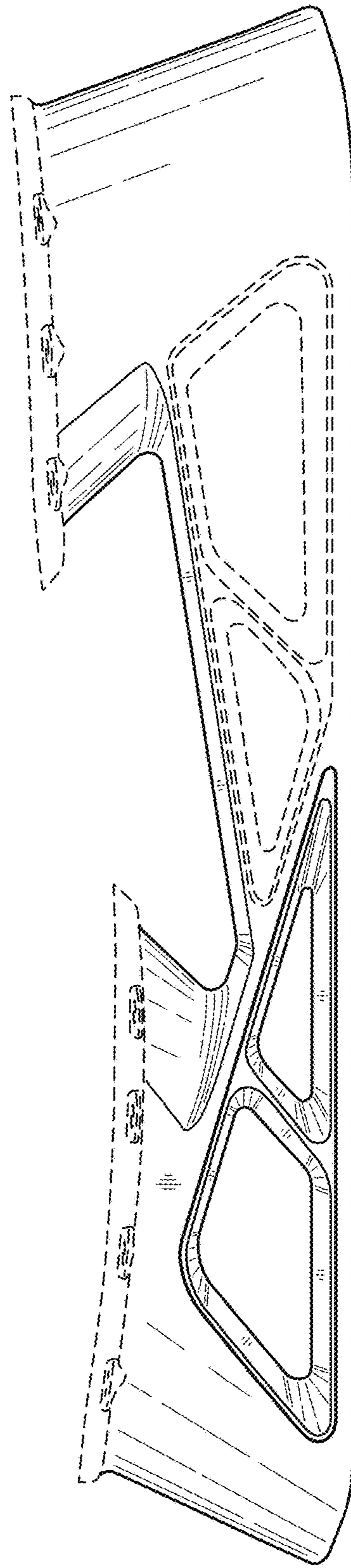


FIG. 4

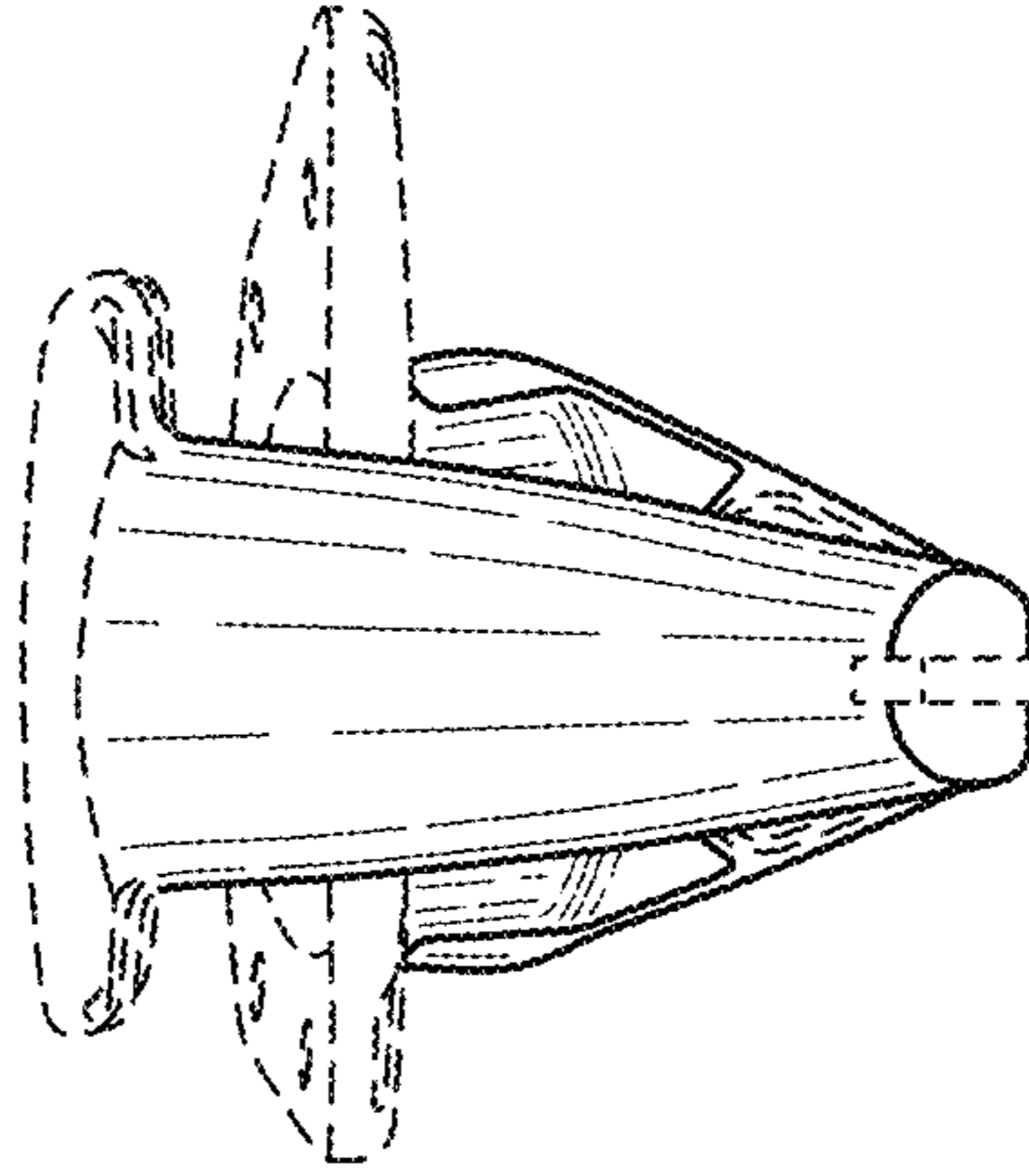


FIG. 5

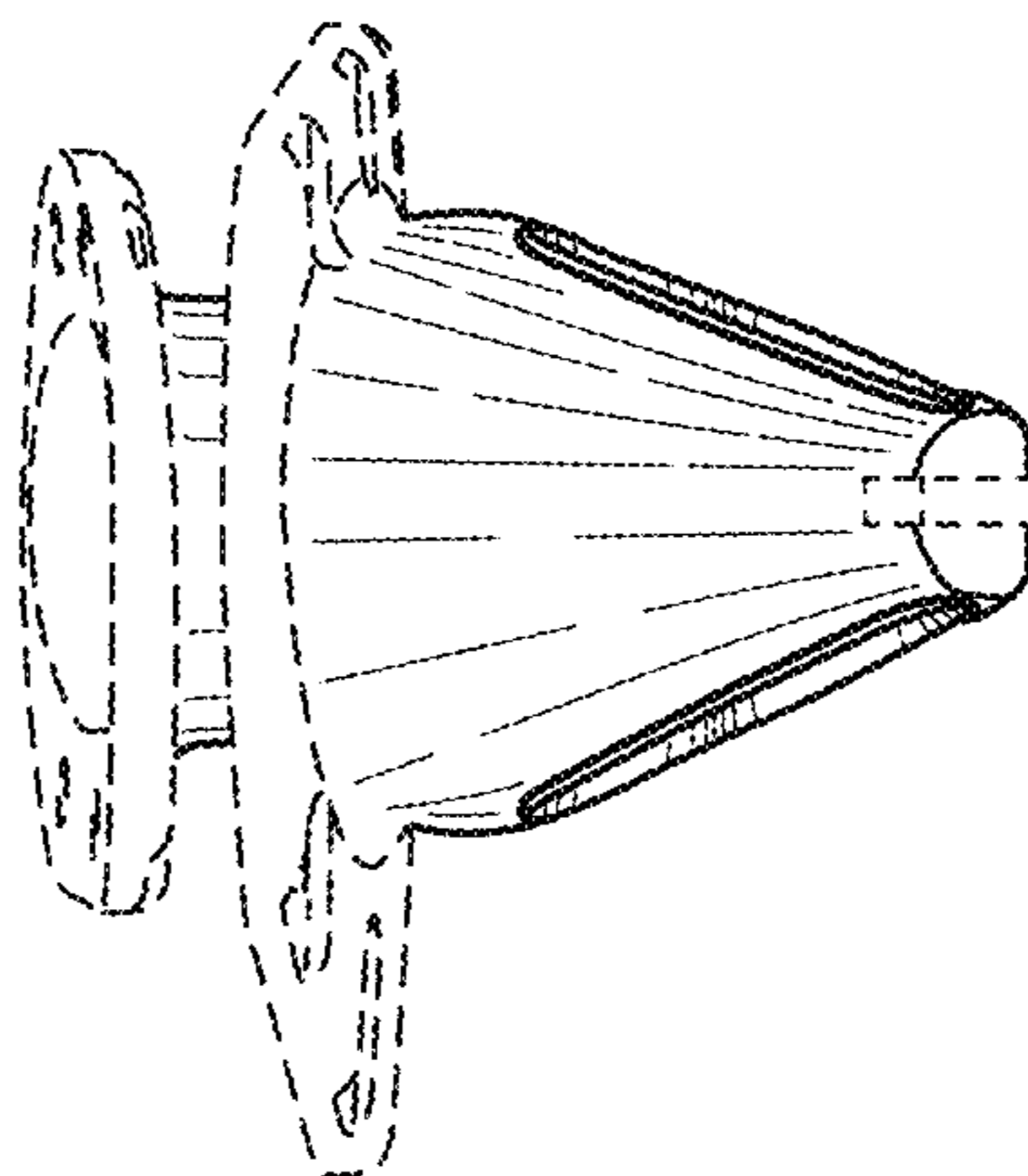


FIG. 6