



US00D806193S

(12) **United States Design Patent** (10) **Patent No.:** **US D806,193 S**
Engel (45) **Date of Patent:** **** Dec. 26, 2017**

- (54) **GOLF PUTTER**
- (71) Applicant: **William Thomas Engel**, Oakdale, PA (US)
- (72) Inventor: **William Thomas Engel**, Oakdale, PA (US)
- (73) Assignee: **William T. Engel**, Oakdale, PA (US)
- (**) Term: **15 Years**
- (21) Appl. No.: **29/620,195**
- (22) Filed: **Aug. 11, 2016**

- D327,930 S 7/1992 Jazdyk
- D342,558 S * 12/1993 Diesterheft D21/741
- D354,104 S * 1/1995 Hardy D21/739
- 5,997,409 A 12/1999 Mattson
- D421,471 S 3/2000 Moldovan
- D436,638 S 1/2001 Carrier
- D477,041 S * 7/2003 Cameron D21/742
- 6,663,497 B2 * 12/2003 Cameron A63B 53/065
473/245
- D499,778 S * 12/2004 Cameron D21/742
- D506,796 S * 6/2005 Li D21/742
- D517,143 S 3/2006 Petsel et al.
- D521,088 S 5/2006 Mercier
- D532,844 S 11/2006 Rollinson
- D532,845 S 11/2006 Rollinson
- D534,974 S 1/2007 Haack
- D550,795 S 9/2007 Tateno
- D560,736 S 1/2008 Tateno
- D573,673 S 7/2008 Noyes
- D574,908 S 8/2008 Hettinger et al.
- D582,497 S 12/2008 Rollinson
- 7,491,131 B2 * 2/2009 Vinton A63B 53/0487
473/251
- D593,171 S * 5/2009 Stellander D21/736
- D594,073 S * 6/2009 Kadoya D21/744
- D616,053 S 5/2010 Chien et al.
- D621,462 S * 8/2010 Serrano D21/742
- D624,616 S 9/2010 Rife

Related U.S. Application Data

- (63) Continuation-in-part of application No. 29/474,872, filed on Mar. 6, 2015, now Pat. No. Des. 765,807.
- (51) **LOC (10) Cl.** **21-02**
- (52) **U.S. Cl.**
USPC **D21/759**
- (58) **Field of Classification Search**
USPC D21/736-746, 759
CPC ... A63B 53/065; A63B 53/0487; A63B 53/00;
A63B 53/04; A63B 53/007; A63B 60/00;
A63B 60/46
See application file for complete search history.

Primary Examiner — Mitchell I. Siegel

(57) **CLAIM**

The ornamental design for a golf putter, as shown and described.

DESCRIPTION

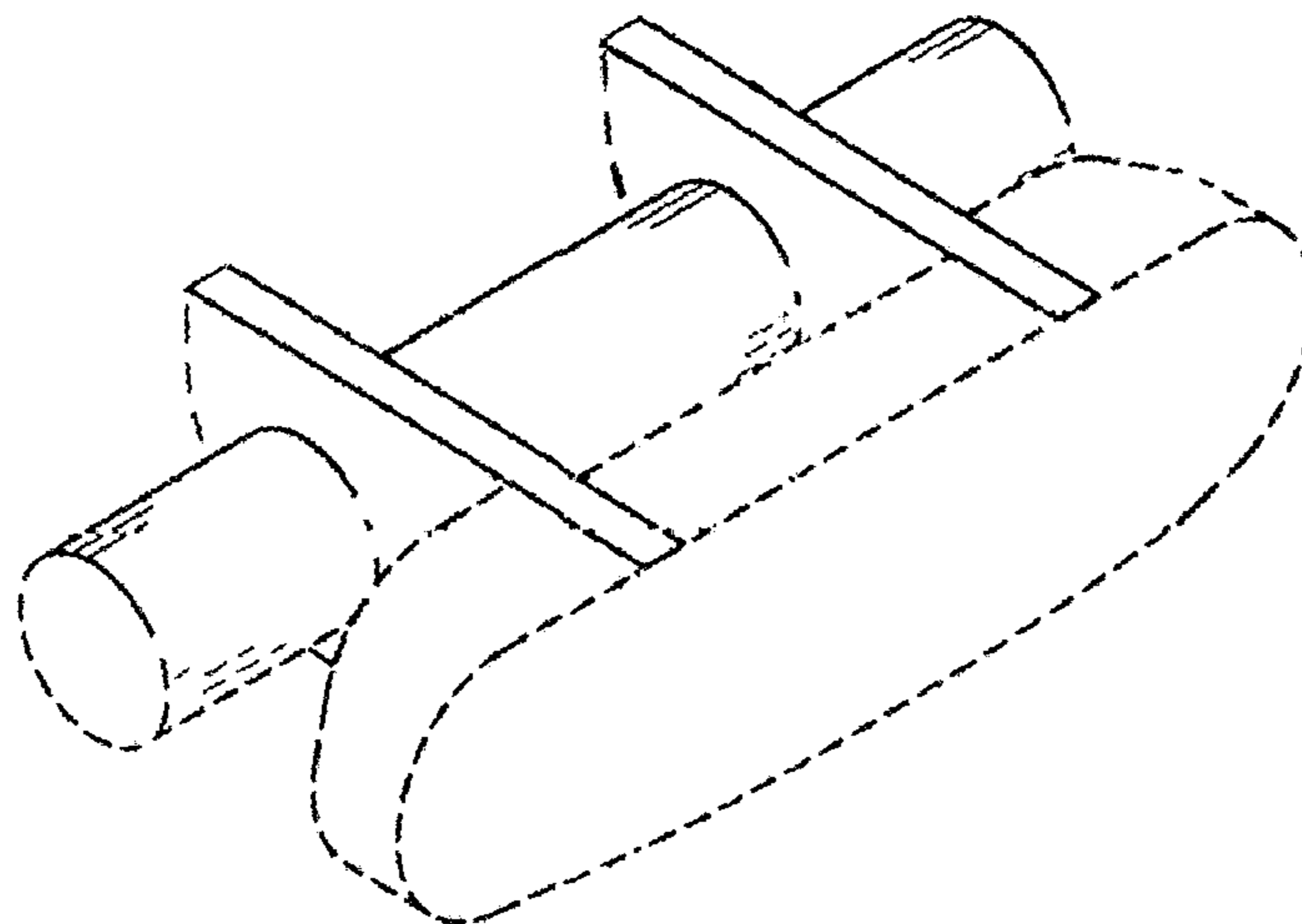
FIG. 1 is a top plain view of the golf putter; and, FIG. 2 is a top perspective view thereof. The broken lines and shading lines included in FIGS. 1-2 are for the purpose of illustrating and forms no part of the claimed design.

1 Claim, 2 Drawing Sheets

(56) **References Cited**

U.S. PATENT DOCUMENTS

- D213,118 S * 1/1969 Onaka 473/252
- D229,622 S 12/1973 Bartron
- D231,373 S 4/1974 Pavelle
- D244,303 S * 5/1977 Cabot D21/739
- D247,585 S * 3/1978 Duclos 473/340
- D291,465 S 8/1987 Antonious
- D323,867 S 2/1992 Rizzotto
- D324,555 S * 3/1992 Evans D21/744



(56)

References Cited

U.S. PATENT DOCUMENTS

D624,617 S	9/2010	Rife	
D632,747 S *	2/2011	Jeffres	D21/742
D669,145 S	10/2012	Roland	
D732,122 S *	6/2015	Becktor	D21/742
D732,618 S *	6/2015	Becktor	D21/742
D765,807 S *	9/2016	Engel	D21/759

* cited by examiner

Fig. 1

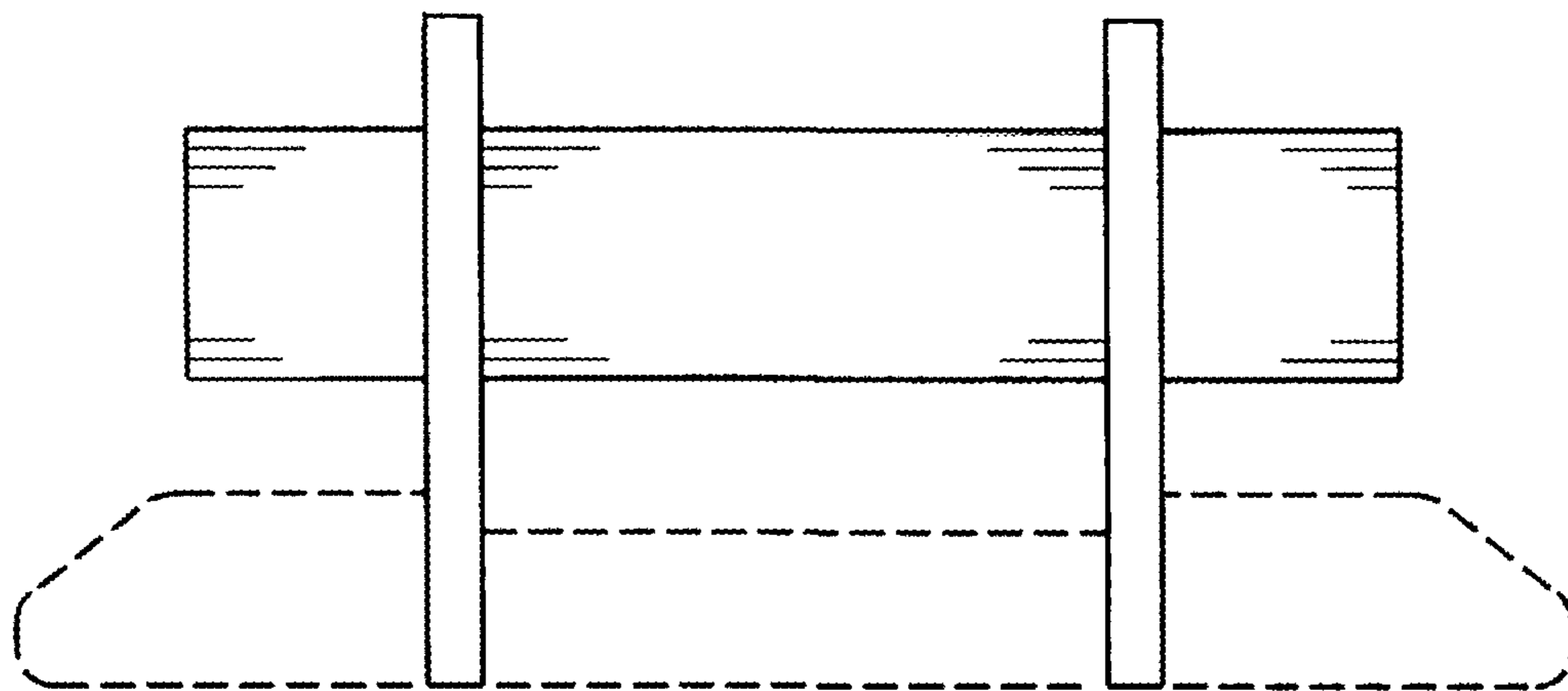


Fig. 2

