



US00D806192S

(12) **United States Design Patent**
Tang et al.

(10) **Patent No.:** **US D806,192 S**

(45) **Date of Patent:** **** Dec. 26, 2017**

(54) **GOLF CLUB HEAD**

(71) Applicant: **Callaway Golf Company**, Carlsbad, CA (US)

(72) Inventors: **Larry Tang**, Carlsbad, CA (US);
Michael Hallack, Carlsbad, CA (US)

(73) Assignee: **Callaway Golf Company**, Carlsbad, CA (US)

(**) Term: **15 Years**

(21) Appl. No.: **29/576,484**

(22) Filed: **Sep. 2, 2016**

(51) **LOC (10) Cl.** **21-02**

(52) **U.S. Cl.**
USPC **D21/759**

(58) **Field of Classification Search**
USPC D21/733, 752, 759
CPC A63B 53/00; A63B 53/04; A63B 53/0466;
A63B 2053/002; A63B 2053/0445; A63B
2053/0433; A63B 2053/0491; A63B
2053/0437
See application file for complete search history.

(56) **References Cited**

U.S. PATENT DOCUMENTS

D410,057 S * 5/1999 Ortiz D21/752
D553,210 S * 10/2007 Harvell D21/752
D553,211 S * 10/2007 Harvell D21/752
D553,217 S * 10/2007 Harvell D21/759

D594,520 S * 6/2009 Schweigert D21/759
D618,753 S * 6/2010 Jertson D21/759
D631,111 S * 1/2011 Bennett D21/752
8,257,196 B1 * 9/2012 Abbott A63B 53/0466
473/335
D726,847 S * 4/2015 Song D21/752
D726,852 S * 4/2015 Song D21/759
D726,853 S * 4/2015 Song D21/759
D736,877 S * 8/2015 Foster D21/759
D763,995 S * 8/2016 Kim D21/759
D763,997 S * 8/2016 Tang D21/759
D791,258 S * 7/2017 Tang D21/759

* cited by examiner

Primary Examiner — Mitchell I. Siegel

(74) *Attorney, Agent, or Firm* — Rebecca Hanovice;
Michael Catania; Sonia Lari

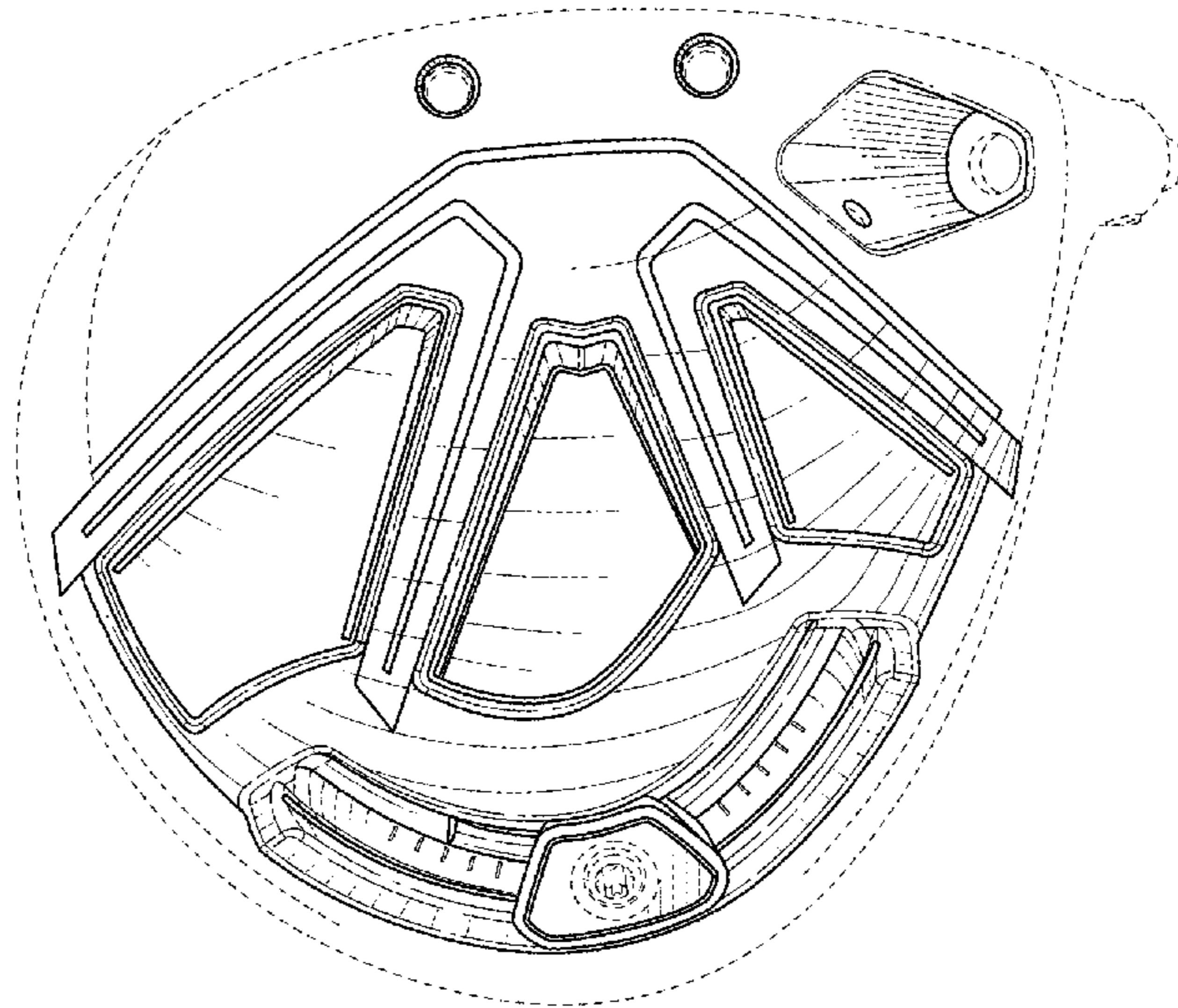
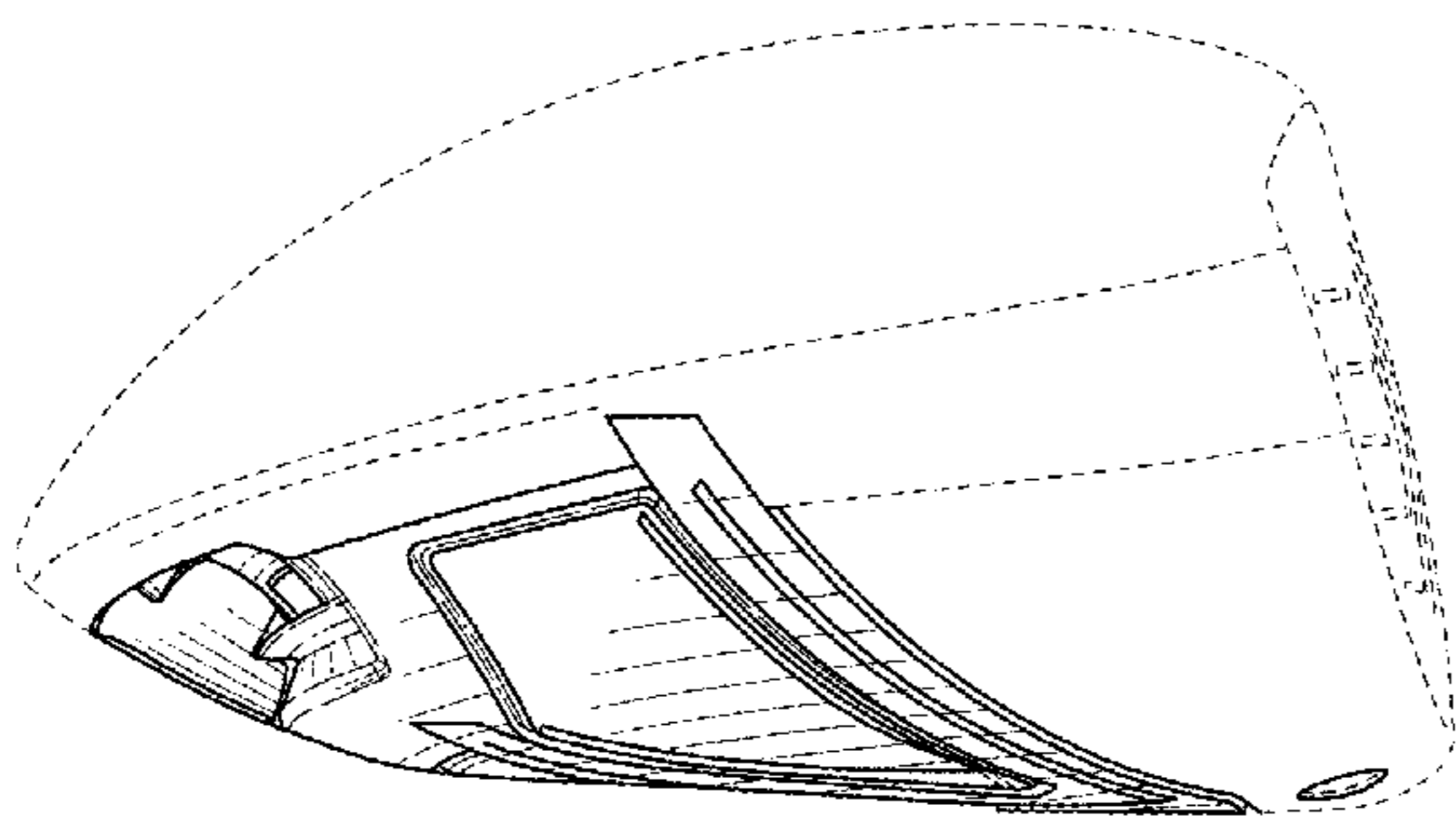
(57) **CLAIM**

The ornamental design for a golf club head, as shown and described.

DESCRIPTION

FIG. 1 is a rear perspective view of the golf club head claimed herein;
FIG. 2 is a front elevational view thereof;
FIG. 3 is a rear elevational view thereof;
FIG. 4 is a left side elevational view thereof;
FIG. 5 is a right side elevational view thereof;
FIG. 6 is a top plan view thereof; and,
FIG. 7 is a bottom plan view thereof.
The broken lines are included for the purpose of illustration and form no part of the claimed design.

1 Claim, 4 Drawing Sheets



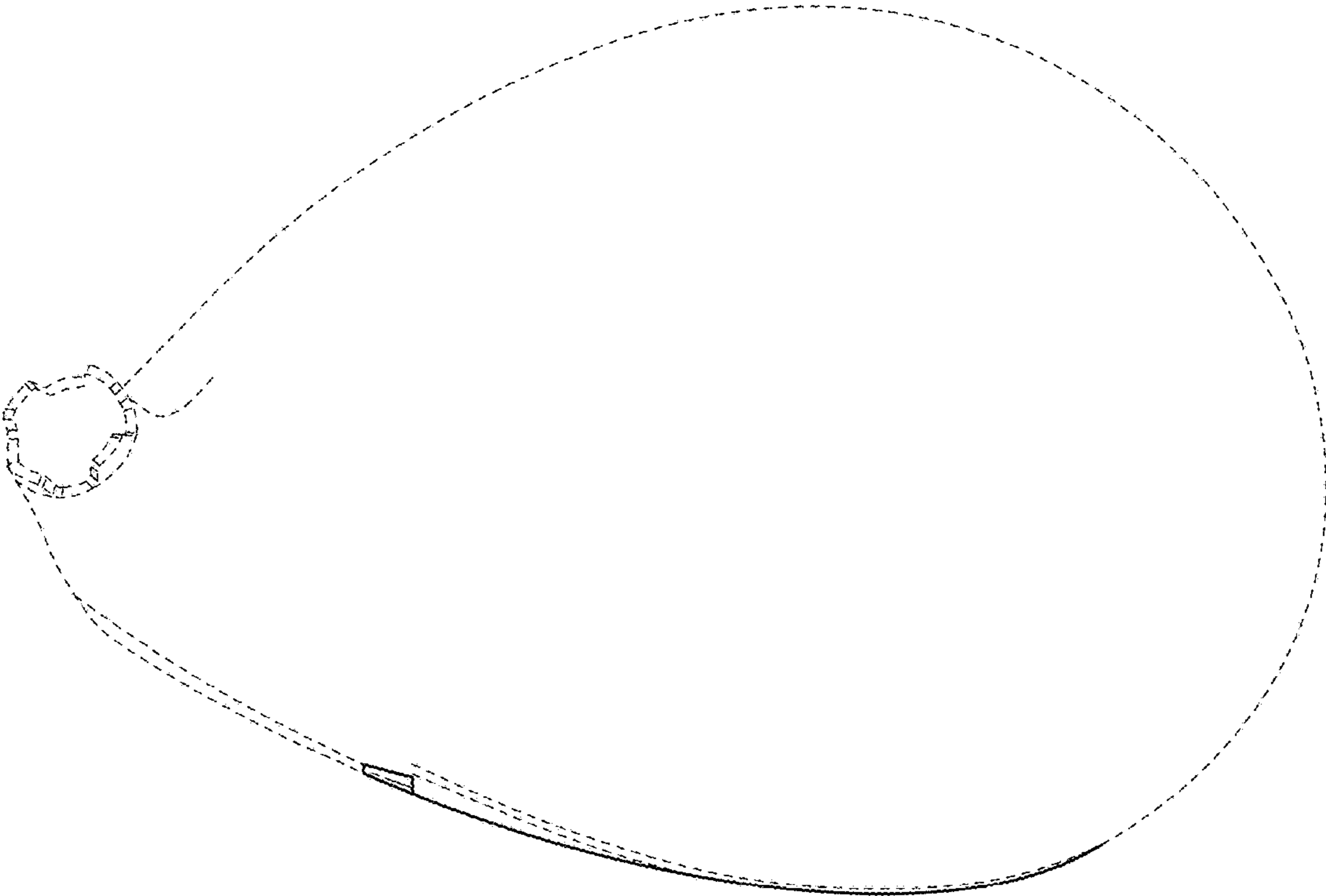


FIG. 1

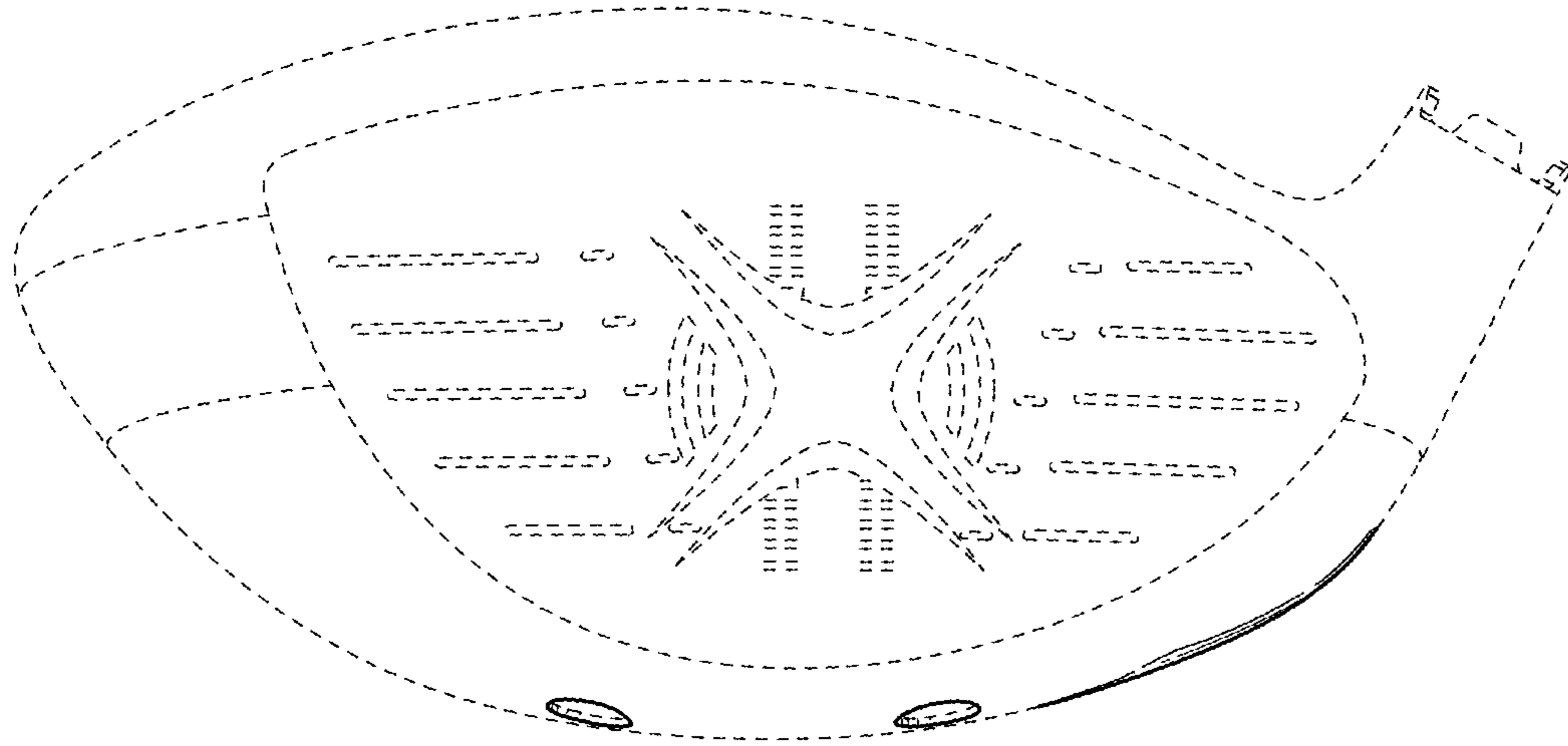


FIG. 2

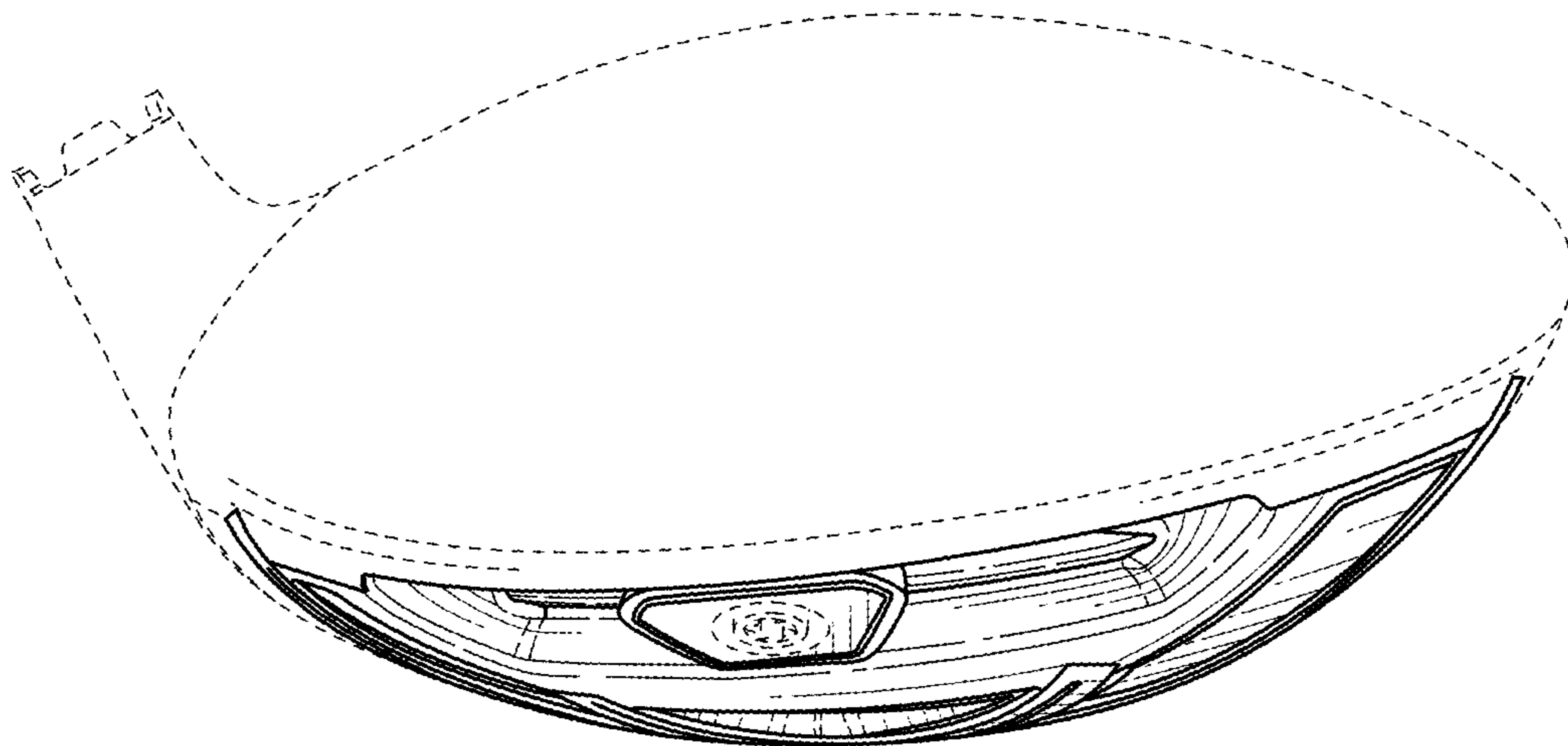


FIG. 3

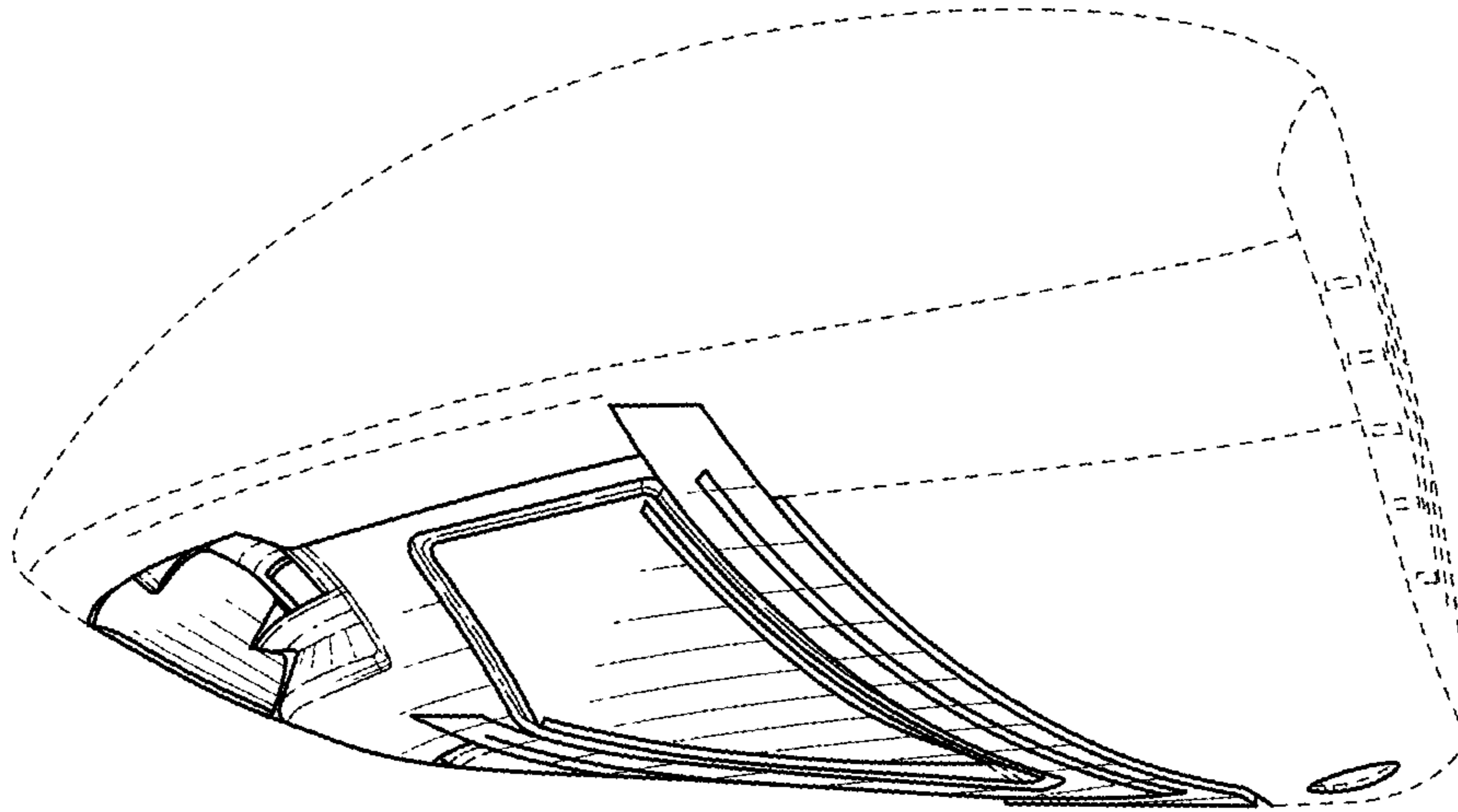


FIG. 4

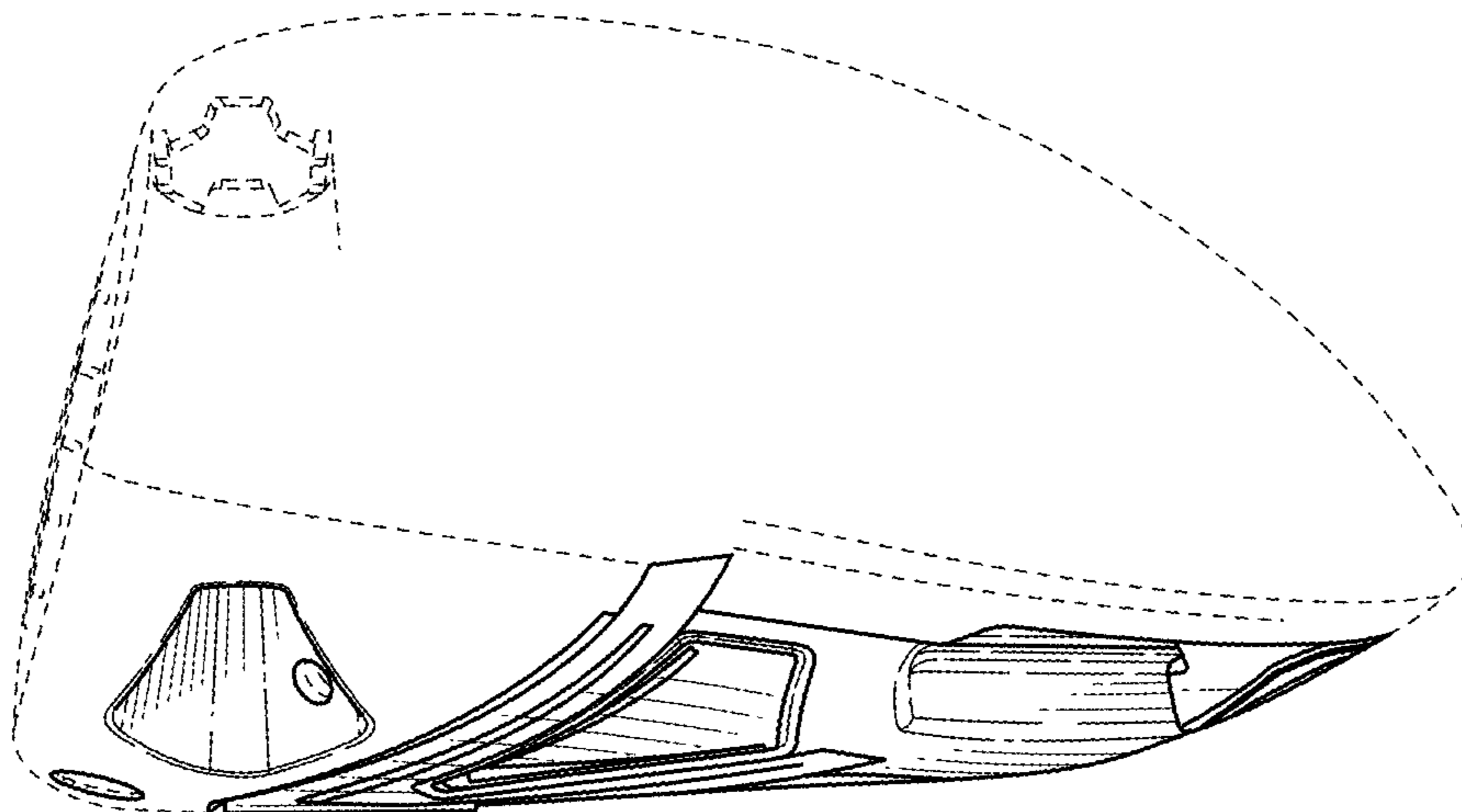


FIG. 5

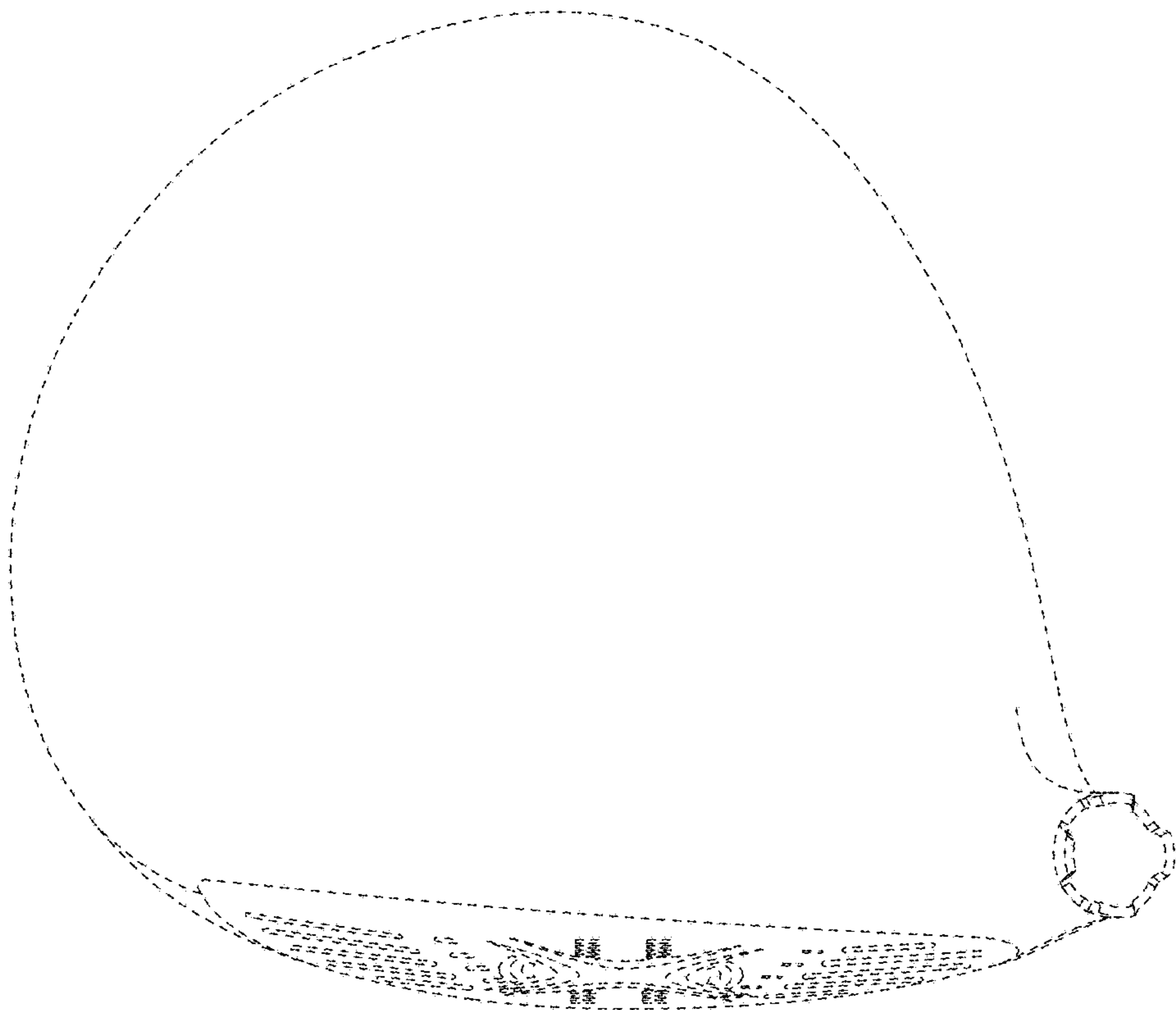


FIG. 6

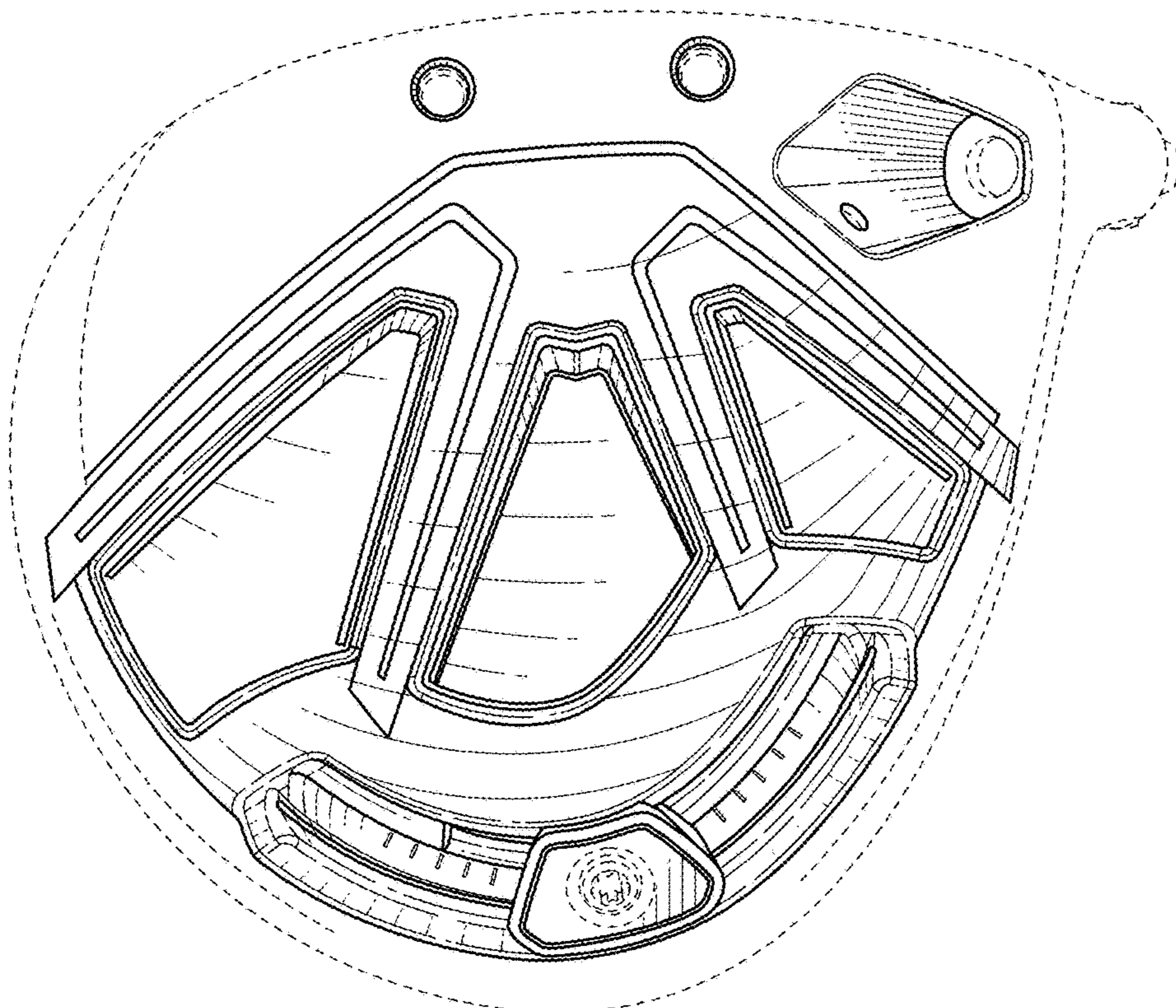


FIG. 7