



US00D806191S

(12) **United States Design Patent** (10) **Patent No.:** **US D806,191 S**
Cruz (45) **Date of Patent:** **** Dec. 26, 2017**

- (54) **SWING TRAINING DEVICE**
- (71) Applicant: **Jacob Cruz**, Gilbert, AZ (US)
- (72) Inventor: **Jacob Cruz**, Gilbert, AZ (US)
- (**) Term: **15 Years**
- (21) Appl. No.: **29/573,477**
- (22) Filed: **Aug. 5, 2016**

Related U.S. Application Data

- (63) Continuation-in-part of application No. 29/509,535, filed on Nov. 18, 2014, now Pat. No. Des. 763,984, and a continuation-in-part of application No. 15/217,523, filed on Jul. 22, 2016, which is a continuation of application No. 14/530,566, filed on Oct. 31, 2014.
- (51) **LOC (10) Cl.** **21-06**
- (52) **U.S. Cl.**
USPC **D21/753**; D21/722; D21/725
- (58) **Field of Classification Search**
USPC D21/722, 724, 725, 753; D30/160
CPC A63B 59/50–59/59; A63B 59/20; A63B
2102/14
See application file for complete search history.

(56) **References Cited**

U.S. PATENT DOCUMENTS

D112,674 S *	12/1938	Batkin	D21/722
D196,878 S *	11/1963	McCain	D21/725
3,169,019 A *	2/1965	Genjack	A63B 59/20
				124/5
D201,188 S *	5/1965	Weimer	D11/104
4,930,772 A *	6/1990	Maloney	A63B 59/50
				473/457

D325,612 S *	4/1992	Longo	D21/724
D328,935 S *	8/1992	Dixon, Jr.	D21/722
D364,653 S *	11/1995	Boden	D10/116.1
D424,640 S *	5/2000	Oblack	D21/722
D484,938 S *	1/2004	Tu	D21/789
D525,326 S *	7/2006	Green	D21/722
D525,670 S *	7/2006	Green	D21/722
D554,717 S *	11/2007	McKinnell	D21/722
D630,277 S *	1/2011	McKinnell	D21/722
D637,248 S *	5/2011	Levin	D21/722
D640,338 S *	6/2011	Oblack	D21/722
D655,359 S *	3/2012	Thorogood	D21/722
D666,686 S *	9/2012	Burger	D21/722
D674,851 S *	1/2013	Osborne	D21/722
D755,314 S *	5/2016	Williams	D21/725
D763,984 S *	8/2016	Cruz	D21/722

* cited by examiner

Primary Examiner — Mitchell Siegel

(74) *Attorney, Agent, or Firm* — Michael W. Goltry;
Robert A. Parsons; Parsons & Goltry

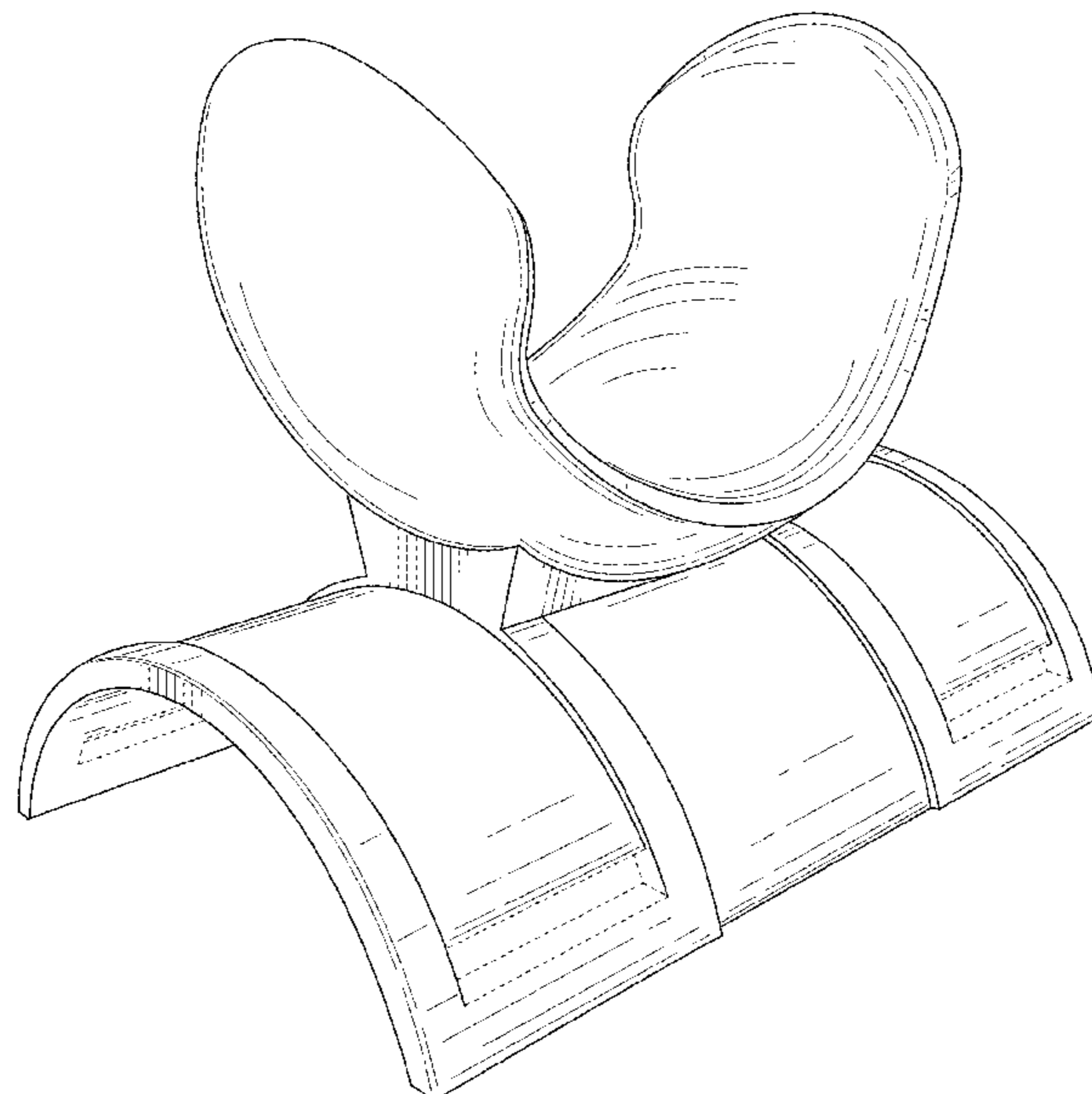
(57) **CLAIM**

The ornamental design for a swing training device, as shown and described.

DESCRIPTION

FIG. 1 is a perspective view of a swing training device showing my new design;
 FIG. 2 a front elevation view thereof, the rear elevation view being the same thereof;
 FIG. 3 is a left side elevation view thereof, the right side elevation view being the same thereof;
 FIG. 4 is a top plan view thereof; and,
 FIG. 5 is a bottom plan view thereof.
 The broken line showing is included for the purpose of illustrating and forms no part of the claimed design.

1 Claim, 3 Drawing Sheets



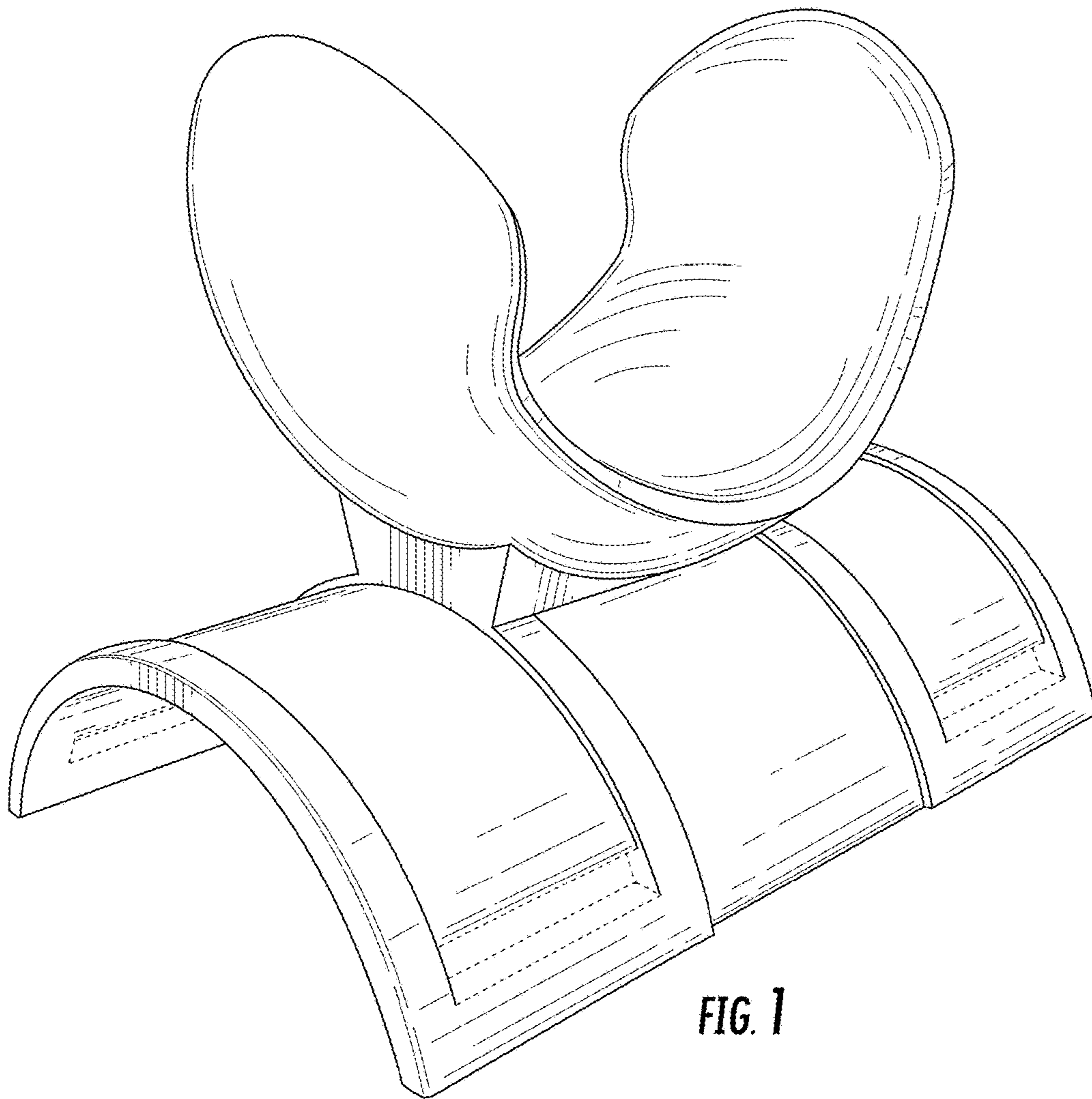


FIG. 1

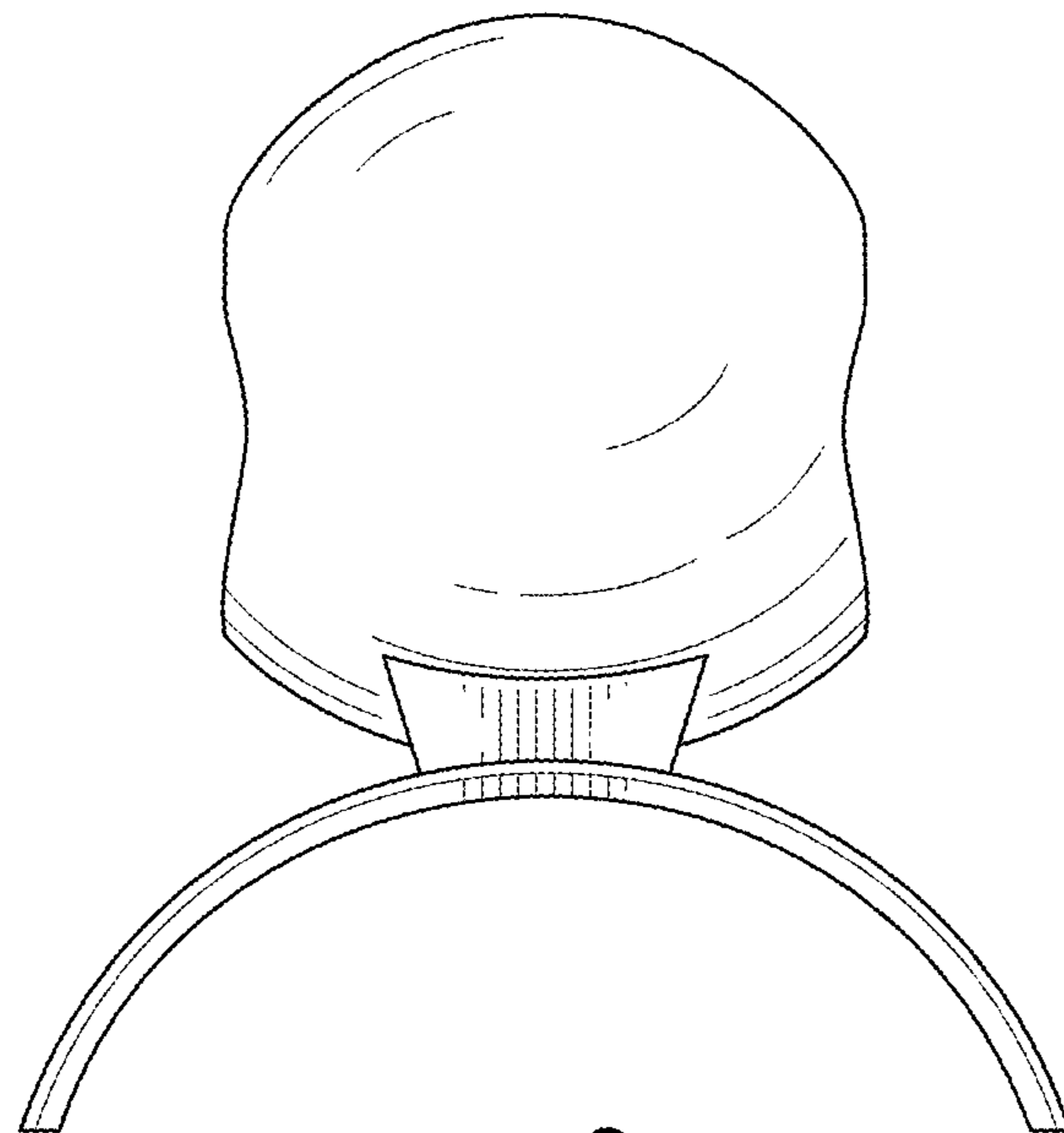


FIG. 2

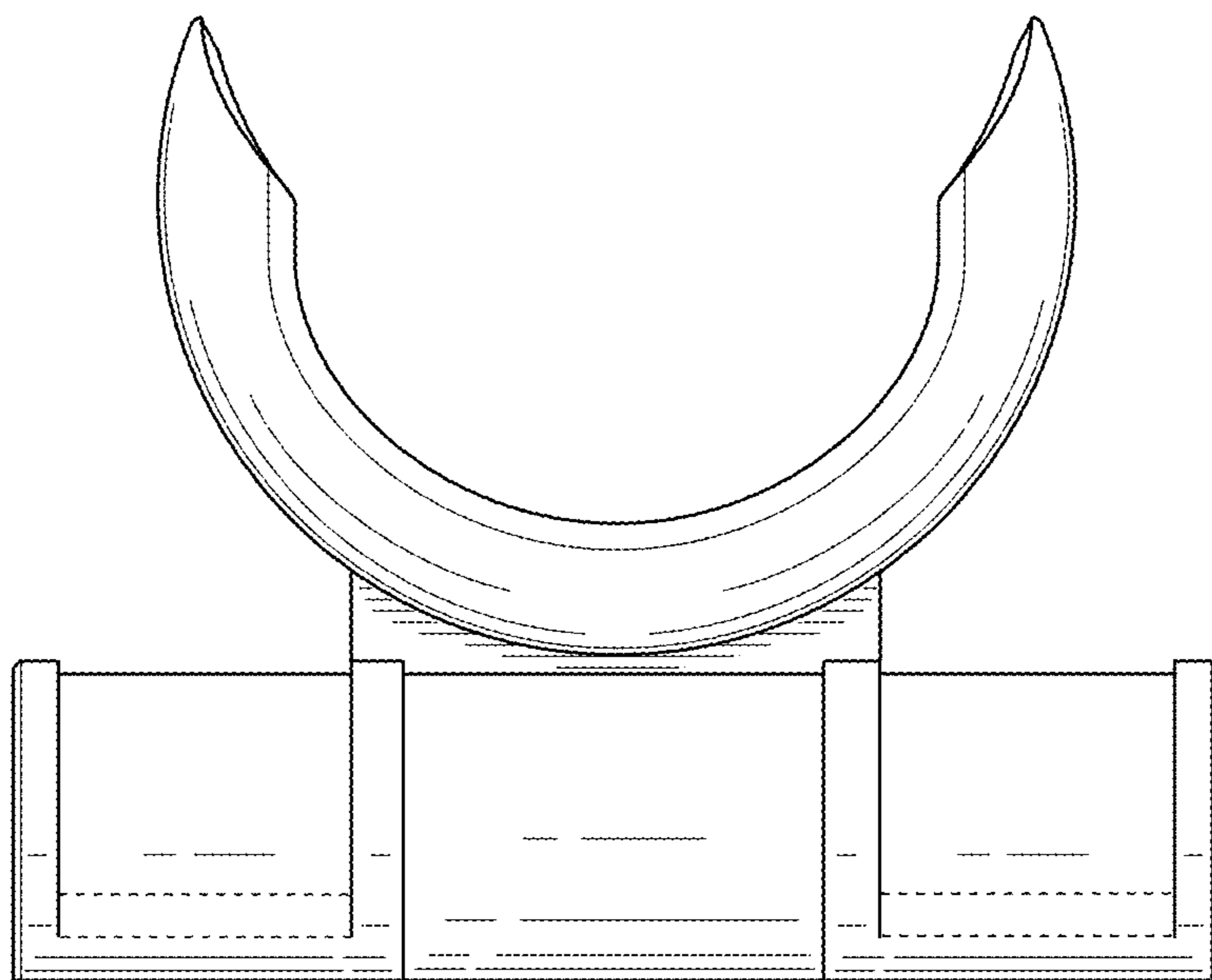


FIG. 3

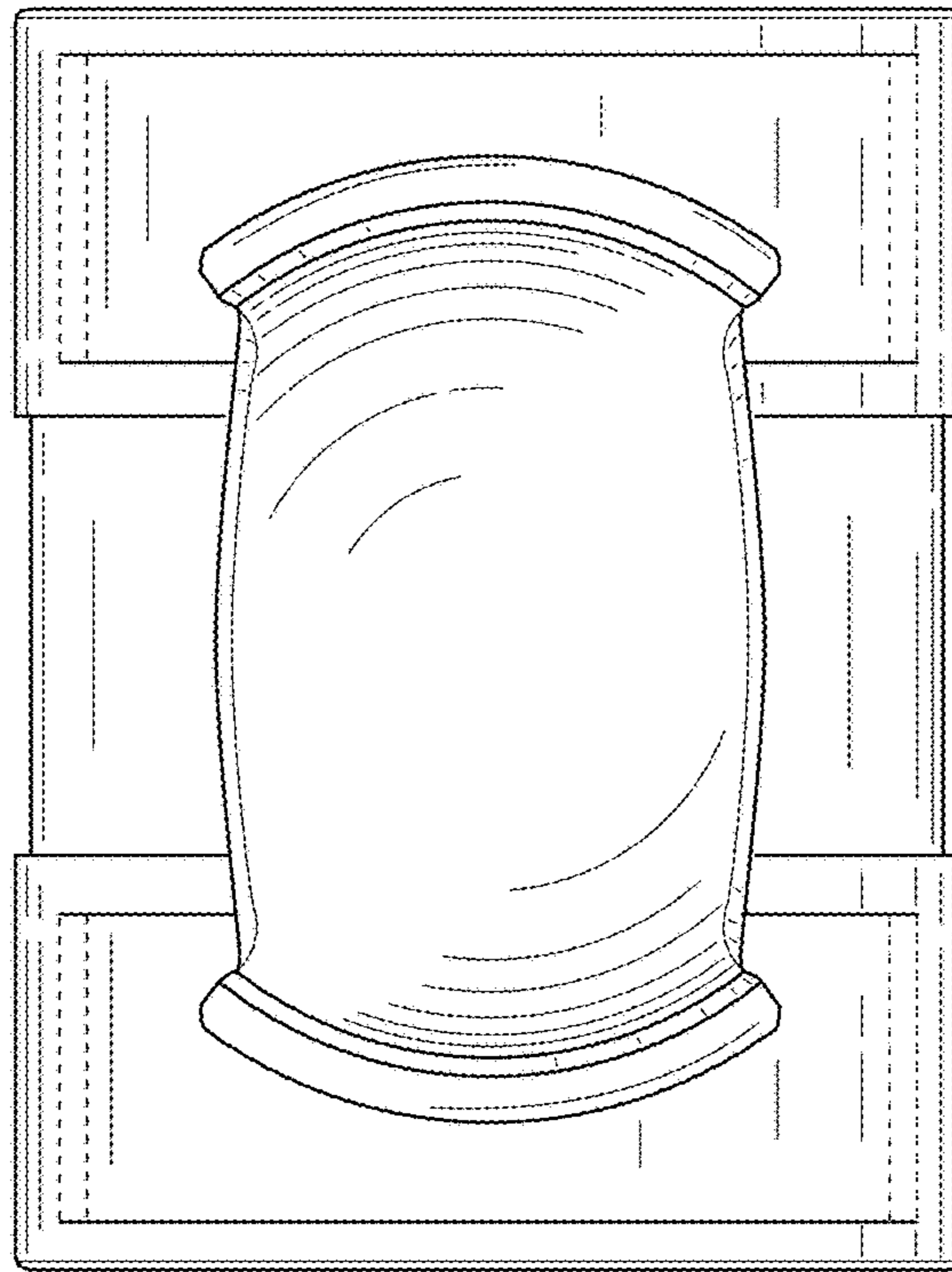


FIG. 4

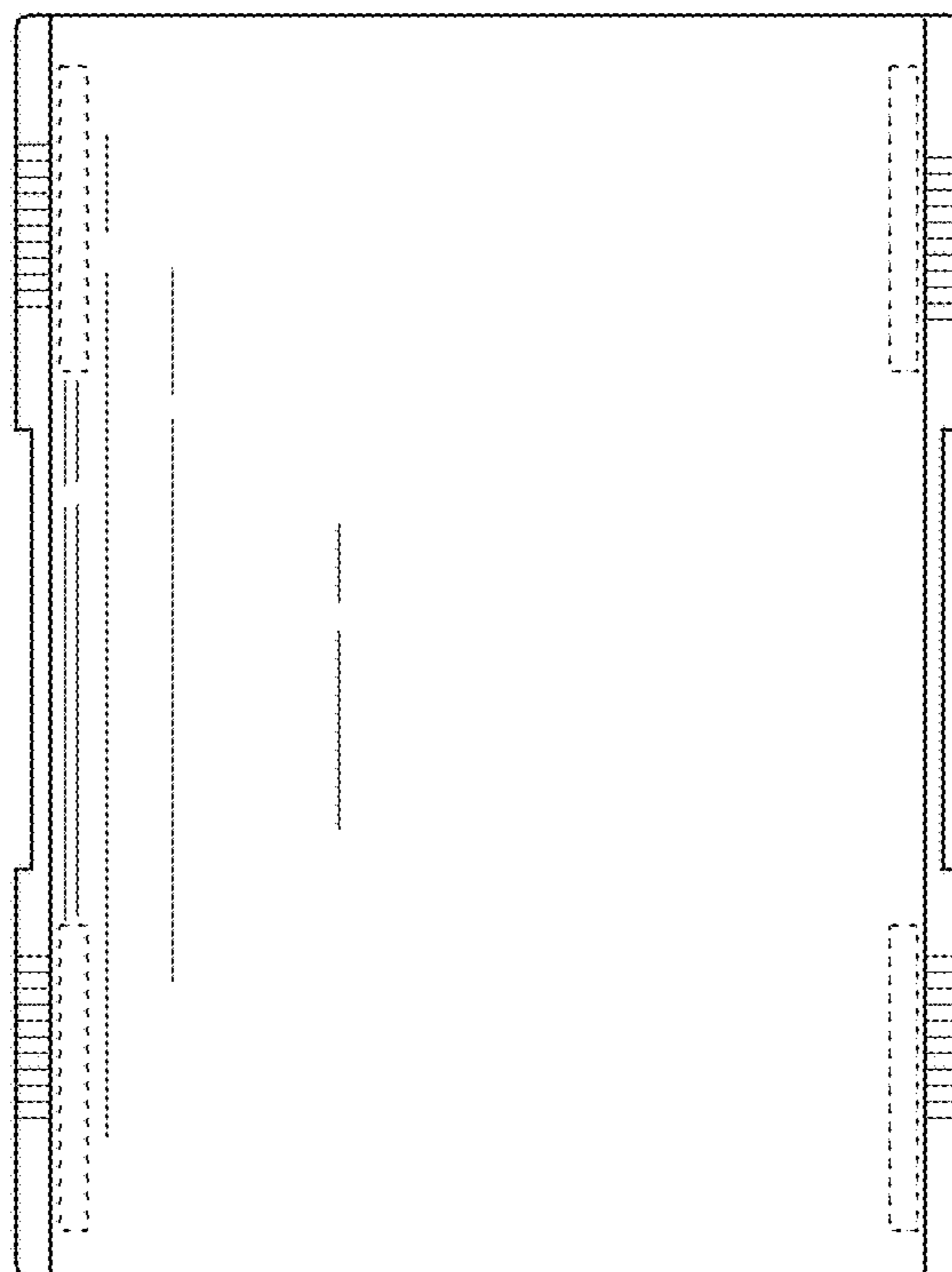


FIG. 5