



US00D806190S

(12) **United States Design Patent** (10) **Patent No.:** **US D806,190 S**
Failing (45) **Date of Patent:** **** Dec. 26, 2017**

(54) **WOBBLING BALANCE BOARD**
(71) Applicant: **John R. Failing**, Swanton, MD (US)
(72) Inventor: **John R. Failing**, Swanton, MD (US)
(**) Term: **15 Years**
(21) Appl. No.: **29/592,156**
(22) Filed: **Jan. 27, 2017**
(51) **LOC (10) Cl.** **21-02**
(52) **U.S. Cl.**
USPC **D21/688**
(58) **Field of Classification Search**
USPC 248/678; 280/609; 297/223, 423;
473/218, 266, 269; 482/105, 110, 122,
482/125, 140, 142, 146, 147, 25, 30, 51,
482/71, 74, 77, 79, 80, 91, 93, 94;
D21/349, 399, 412, 662, 671, 683, 685,
D21/686, 687, 688, 689, 694, 698, 798;
D6/349, 350, 582, 583, 585, 588, 592
CPC A63B 2022/185; A63B 22/16; A63B
23/1236
See application file for complete search history.

(56) **References Cited**
U.S. PATENT DOCUMENTS

3,586,321 A	6/1971	Gehrke et al.
3,612,520 A	10/1971	Chang et al.
3,967,820 A	7/1976	Harper
5,048,823 A	9/1991	Bean
5,203,279 A	4/1993	Eversdyk
D507,026 S	7/2005	Chen
D517,136 S	3/2006	Chen
7,264,580 B2	9/2007	Lu
D564,604 S	3/2008	Mikail
7,632,218 B2	12/2009	Sannes et al.
D659,776 S	5/2012	Zydiak
D731,200 S	6/2015	Andersen
D740,381 S	10/2015	Heath
D750,183 S	2/2016	Heath

9,457,226 B2	10/2016	Heath	
D776,769 S *	1/2017	Heath D21/688
D779,000 S *	2/2017	Olson D21/686
D785,106 S *	4/2017	Panes D21/688
D798,397 S *	9/2017	Bellevue D21/686
2001/0006926 A1 *	7/2001	Schwickrath A63B 21/0004 482/105
2004/0014571 A1 *	1/2004	Haynes A63B 21/0004 482/142
2004/0032113 A1 *	2/2004	Rancon A63C 5/03 280/609
2004/0084878 A1 *	5/2004	Adamczewski A63C 5/003 280/609
2007/0298949 A1	12/2007	Soletski	
2009/0189854 A1	7/2009	Schwanecke	

(Continued)

OTHER PUBLICATIONS

Fluidstance. "The Original." Jul. 27, 2016. <https://fluidstance.com/collections/all/products/the-original-level>. Shown on p. 1. (Year: 2016).*

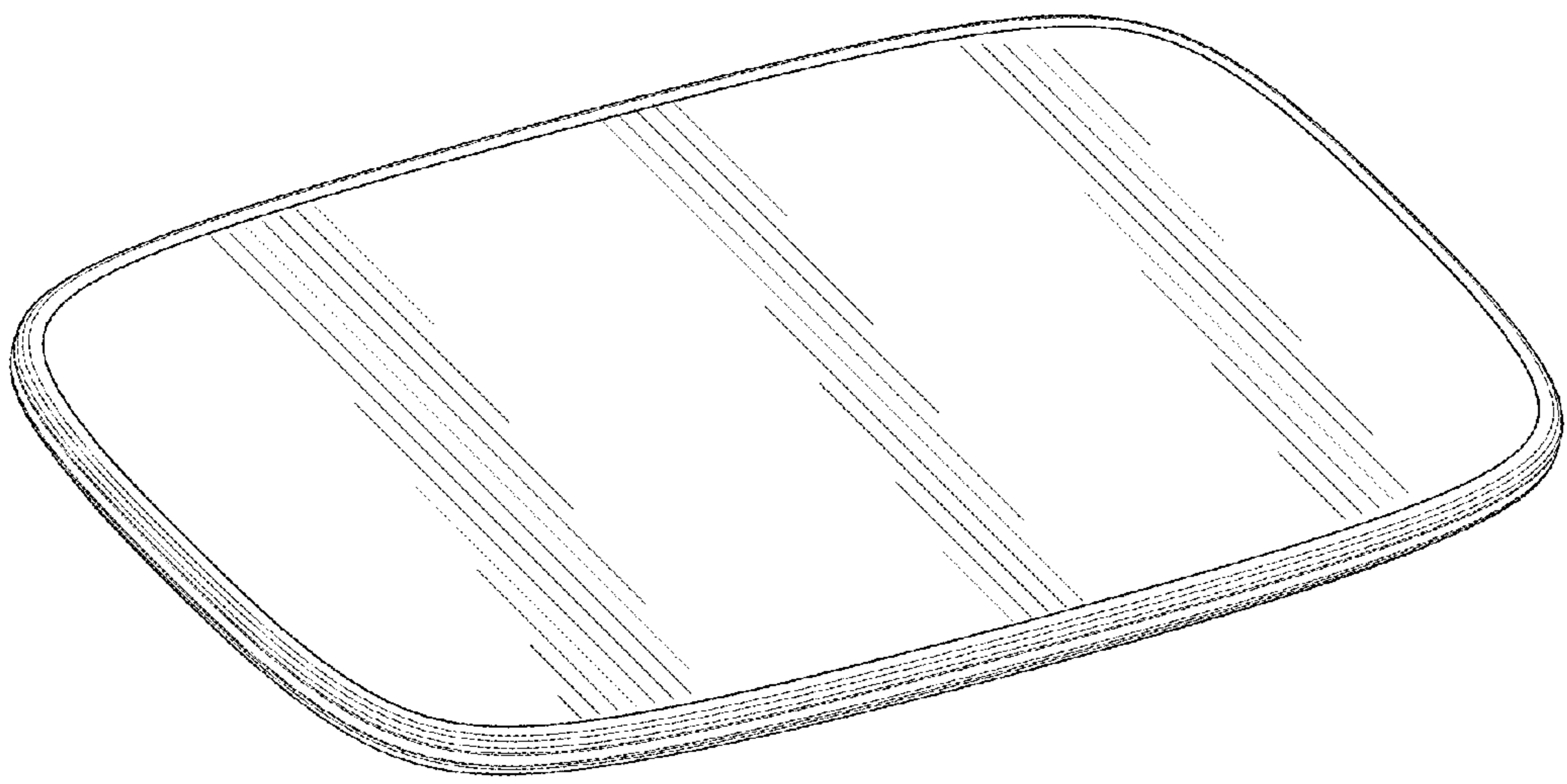
Primary Examiner — Cynthia Ramirez
Assistant Examiner — Michael A Maharajh

(57) **CLAIM**
I claim the ornamental design for a wobbling balance board, as shown and described.

DESCRIPTION

FIG. 1 is a top, front, right isometric view of my new design for a wobbling balance board;
FIG. 2 is a bottom, rear, left isometric view thereof;
FIG. 3 is a front view thereof;
FIG. 4 is a rear view thereof;
FIG. 5 is a left view thereof;
FIG. 6 is a right view thereof;
FIG. 7 is a top view thereof; and,
FIG. 8 is a bottom view thereof.

1 Claim, 4 Drawing Sheets



(56)

References Cited

U.S. PATENT DOCUMENTS

2009/0197748 A1* 8/2009 Smith A63B 21/0004
482/146
2010/0087301 A1 4/2010 Juncker
2013/0288866 A1 10/2013 Rainey
2015/0351573 A1* 12/2015 Heath A63B 22/16
428/77
2016/0114240 A1* 4/2016 Kim A63C 5/12
280/609
2017/0144017 A1* 5/2017 Crist A63B 22/18

* cited by examiner

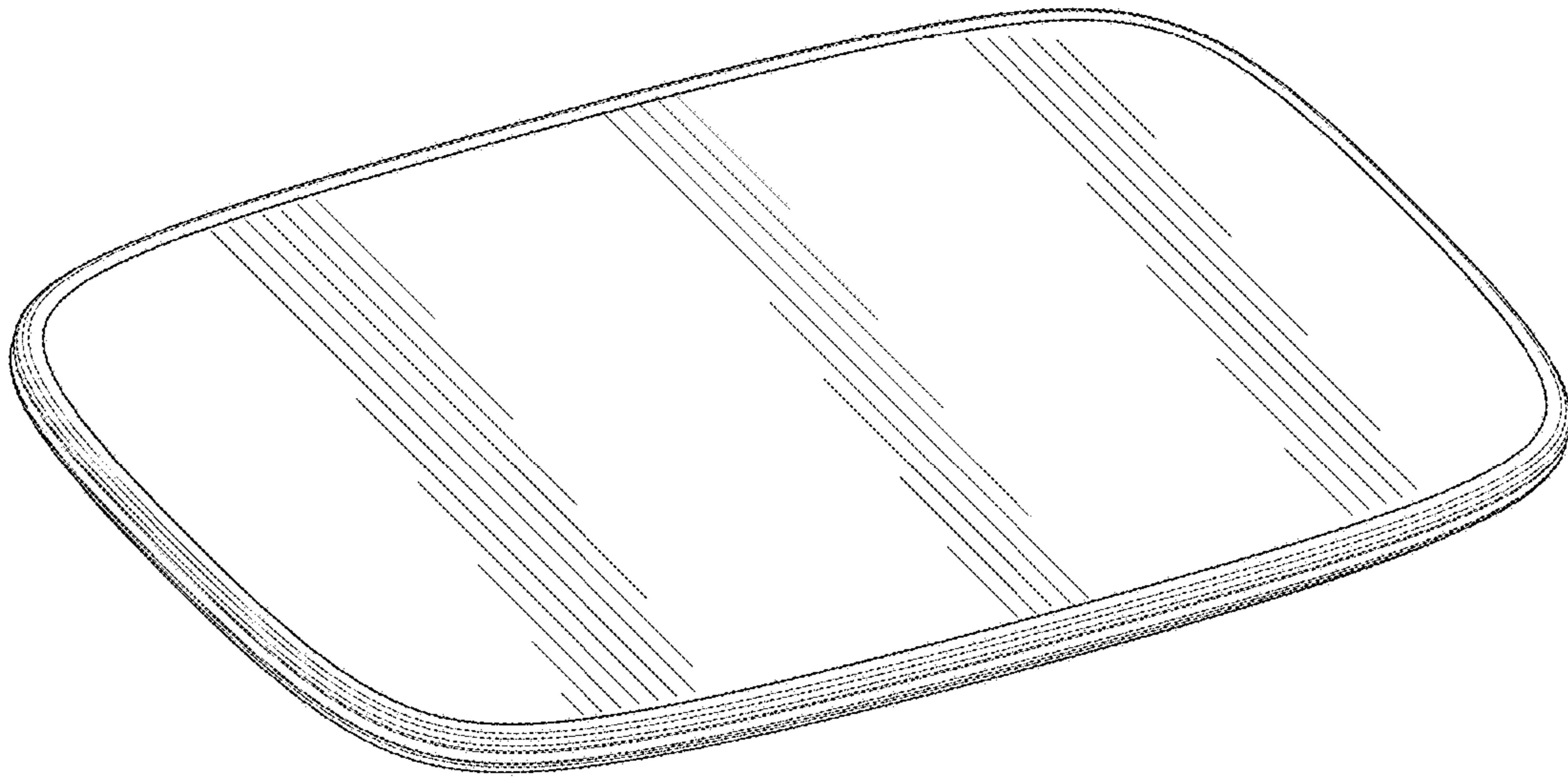


FIG. 1

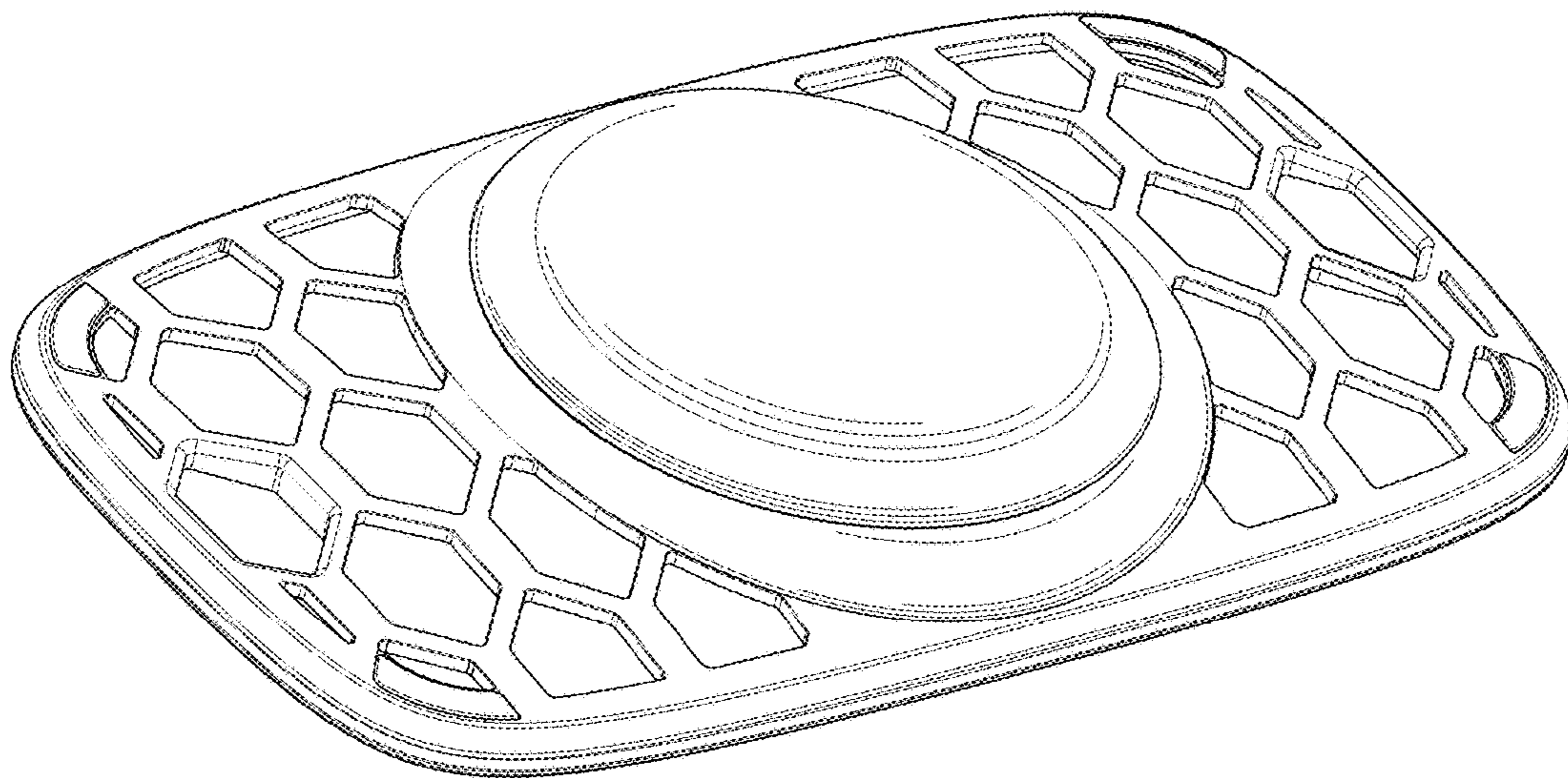


FIG. 2

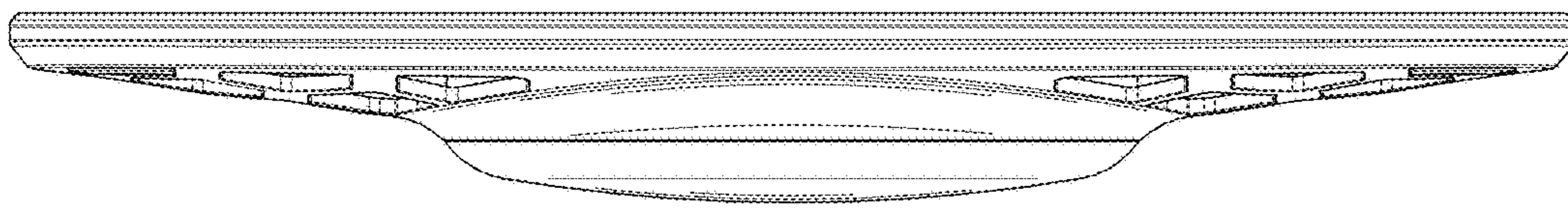


FIG. 3

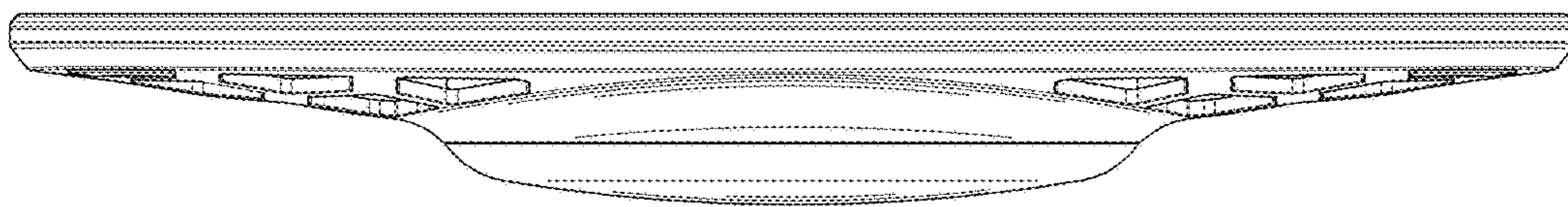


FIG. 4

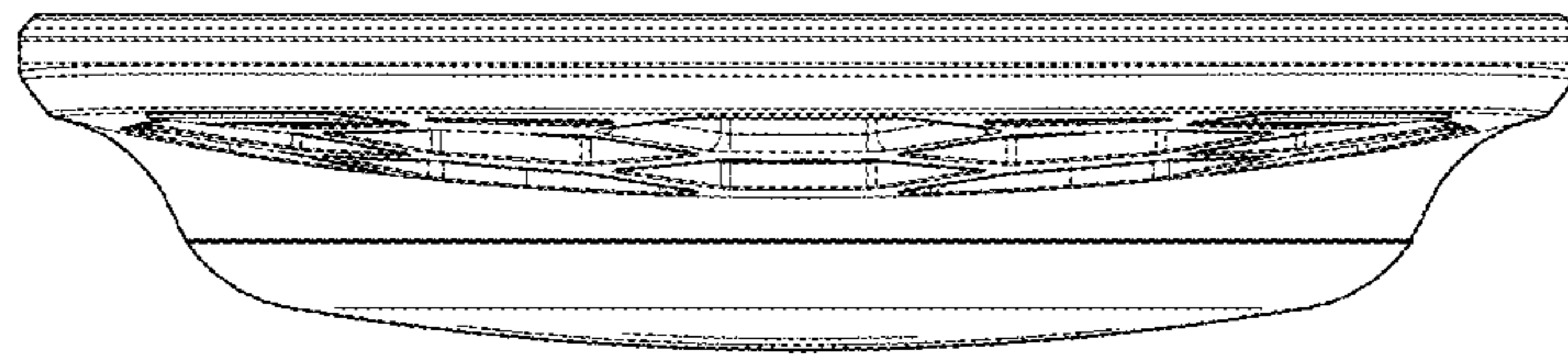


FIG. 5

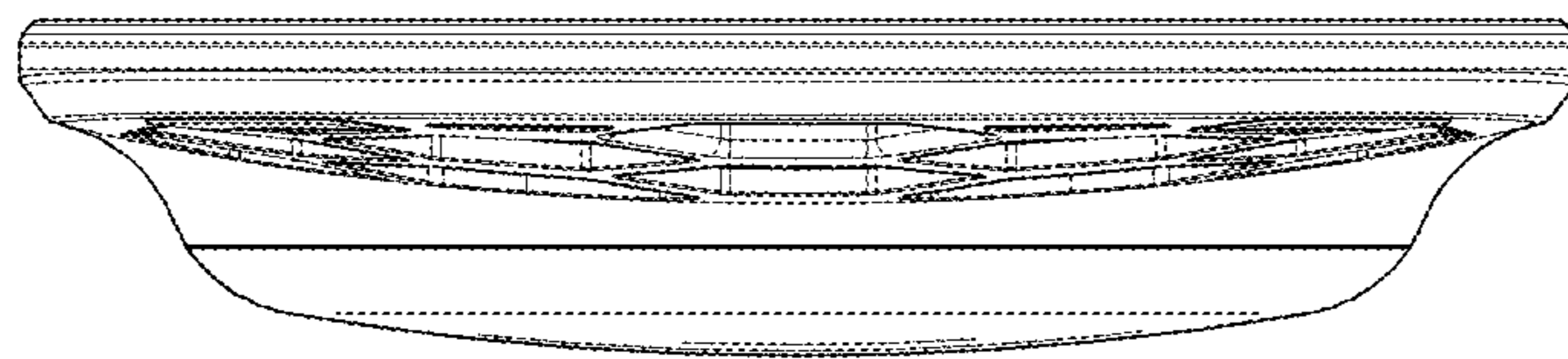


FIG. 6

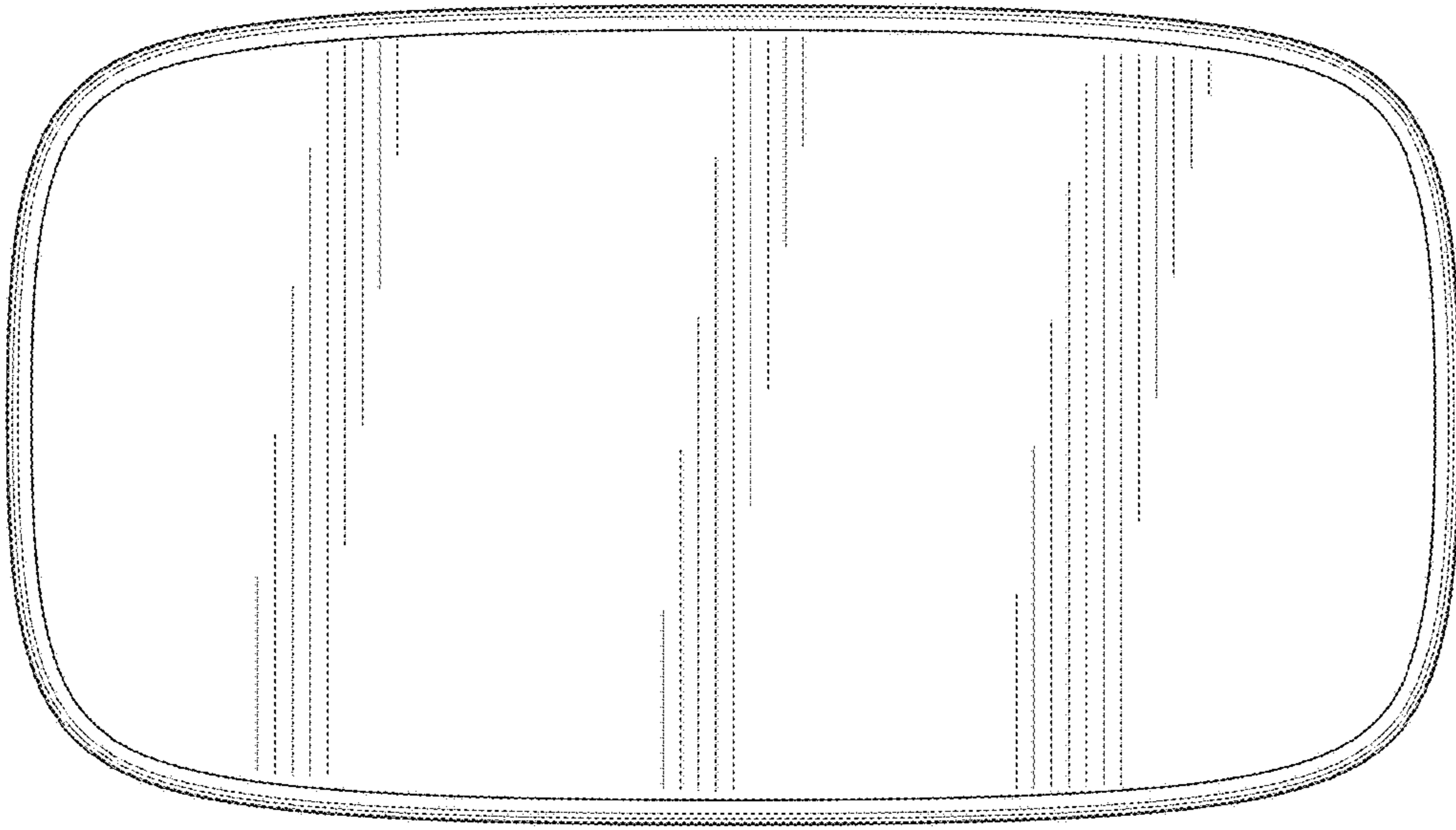


FIG. 7

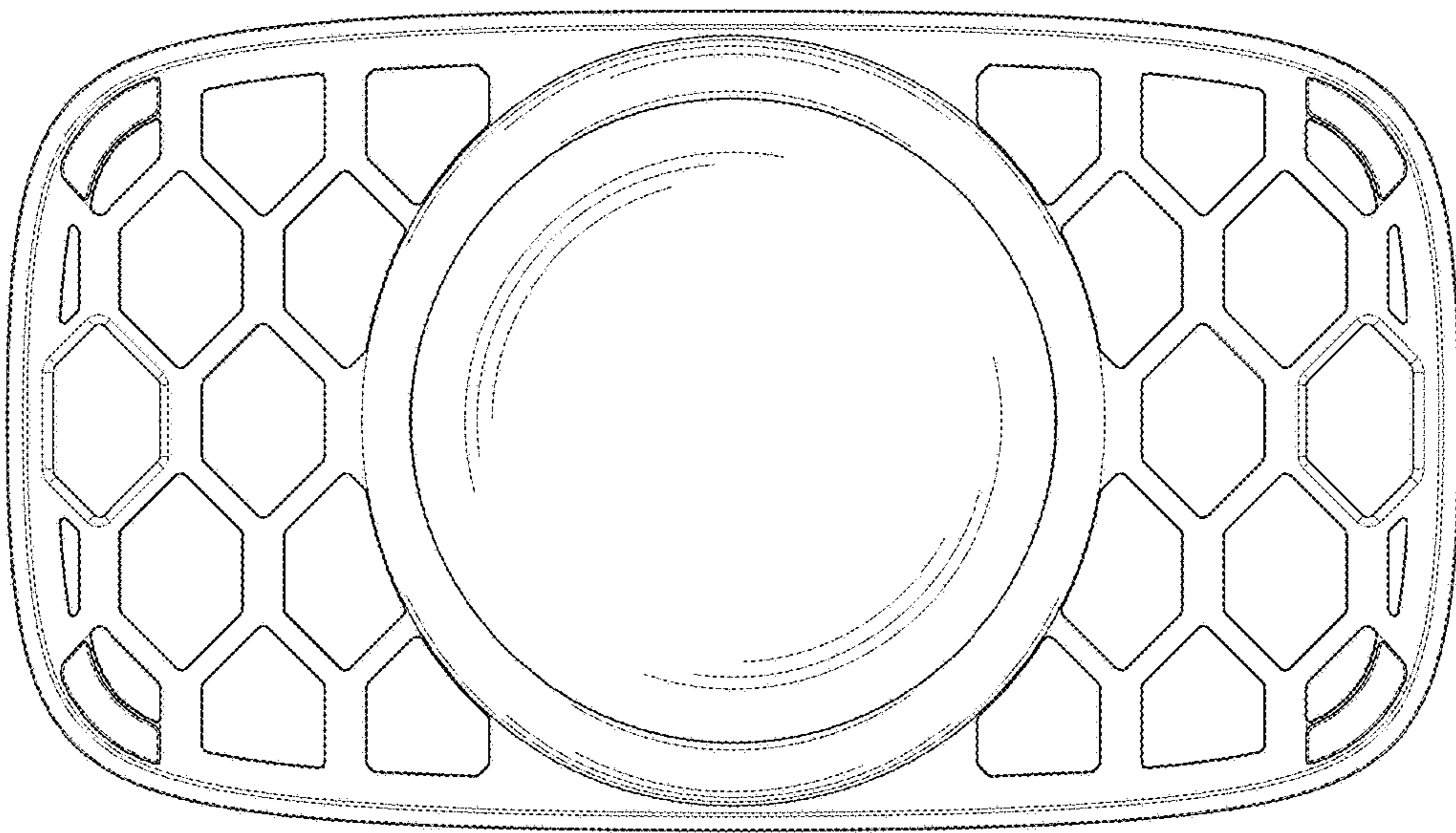


FIG. 8