



US00D806188S

(12) **United States Design Patent** (10) **Patent No.:** **US D806,188 S**
Petek (45) **Date of Patent:** **** Dec. 26, 2017**

(54) **WEIGHT RACK**
(71) Applicant: **Richard C. Petek**, Medina, OH (US)
(72) Inventor: **Richard C. Petek**, Medina, OH (US)
(**) Term: **15 Years**

D603,637 S * 11/2009 Anderson D6/552
D676,092 S * 2/2013 Bledson D21/690
D677,504 S * 3/2013 Childs D6/552
9,114,272 B2 * 8/2015 Fowler A63B 17/00
2005/0272574 A1 * 12/2005 Lessard A63B 21/078
482/104
2017/0080276 A1 * 3/2017 Lopes
Rodrigues A63B 21/4035

(21) Appl. No.: **29/562,564**

OTHER PUBLICATIONS

(22) Filed: **Apr. 27, 2016**

Mutt Bars by Rogue Fitness dated Apr. 30, 2017. Found online [Aug. 30, 2017] <https://www.roguefitness.com/mutt-bars>.*

(51) **LOC (10) Cl.** **21-02**

(52) **U.S. Cl.**
USPC **D21/686**

* cited by examiner

(58) **Field of Classification Search**
USPC 482/142, 104, 133, 908, 98, 135, 94, 62,
482/141, 137, 101, 106, 107, 108;
D21/690, 676, 673, 694, 691, 686, 552,
D21/684; D6/552, 682.4; D7/701
CPC A63B 21/4029; A63B 21/078; A63B
21/4031; A63B 21/00047; A63B 23/0211;
A63B 2208/0252; A63B 21/0783

Primary Examiner — Robert M. Spear
Assistant Examiner — Ryan Harvey
(74) *Attorney, Agent, or Firm* — Tucker Ellis LLP;
Patrick F. Clunk

See application file for complete search history.

(57) **CLAIM**
The ornamental design for a weight rack, as shown and described.

DESCRIPTION

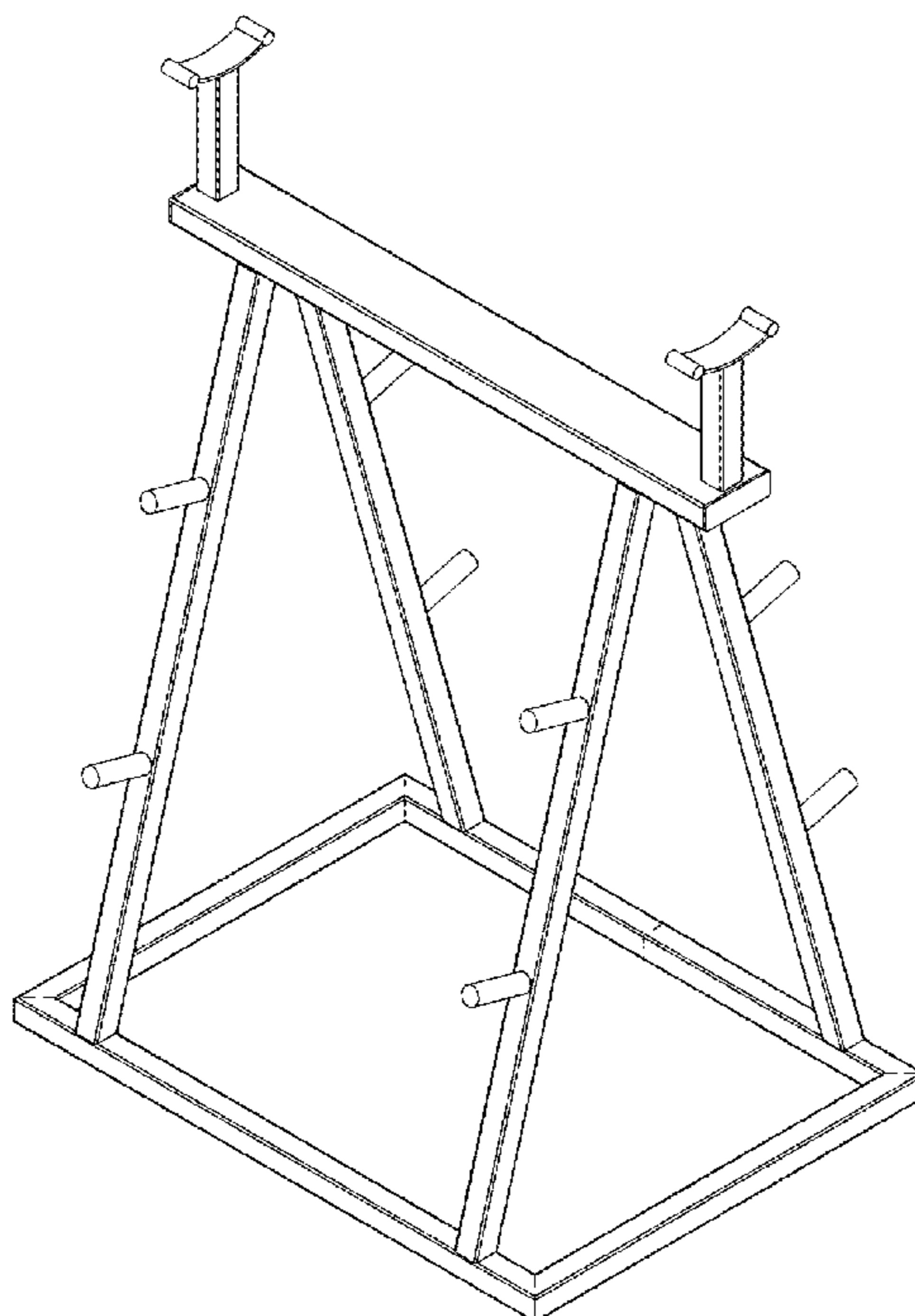
(56) **References Cited**

U.S. PATENT DOCUMENTS

D291,338 S * 8/1987 Ringel D21/691
D327,719 S * 7/1992 Towley, III D21/690
D468,946 S * 1/2003 Harms D21/691
6,974,039 B2 * 12/2005 Comartin A63B 71/0036
211/41.1
D528,612 S * 9/2006 Black D21/552
D555,961 S * 11/2007 Lien D6/552
D560,089 S * 1/2008 Demeyer D6/552
D565,132 S * 3/2008 Lien D21/686
D583,426 S * 12/2008 Webber D21/691

FIG. 1 is a perspective view of a weight rack showing my new design.
FIG. 2 is a front view thereof.
FIG. 3 is a rear view thereof.
FIG. 4 is a left side view thereof.
FIG. 5 is a right side view thereof.
FIG. 6 is a top view thereof; and,
FIG. 7 is a bottom view thereof.
The broken line showing of portions of the weight rack depicts environment and forms no part of the claim.

1 Claim, 6 Drawing Sheets



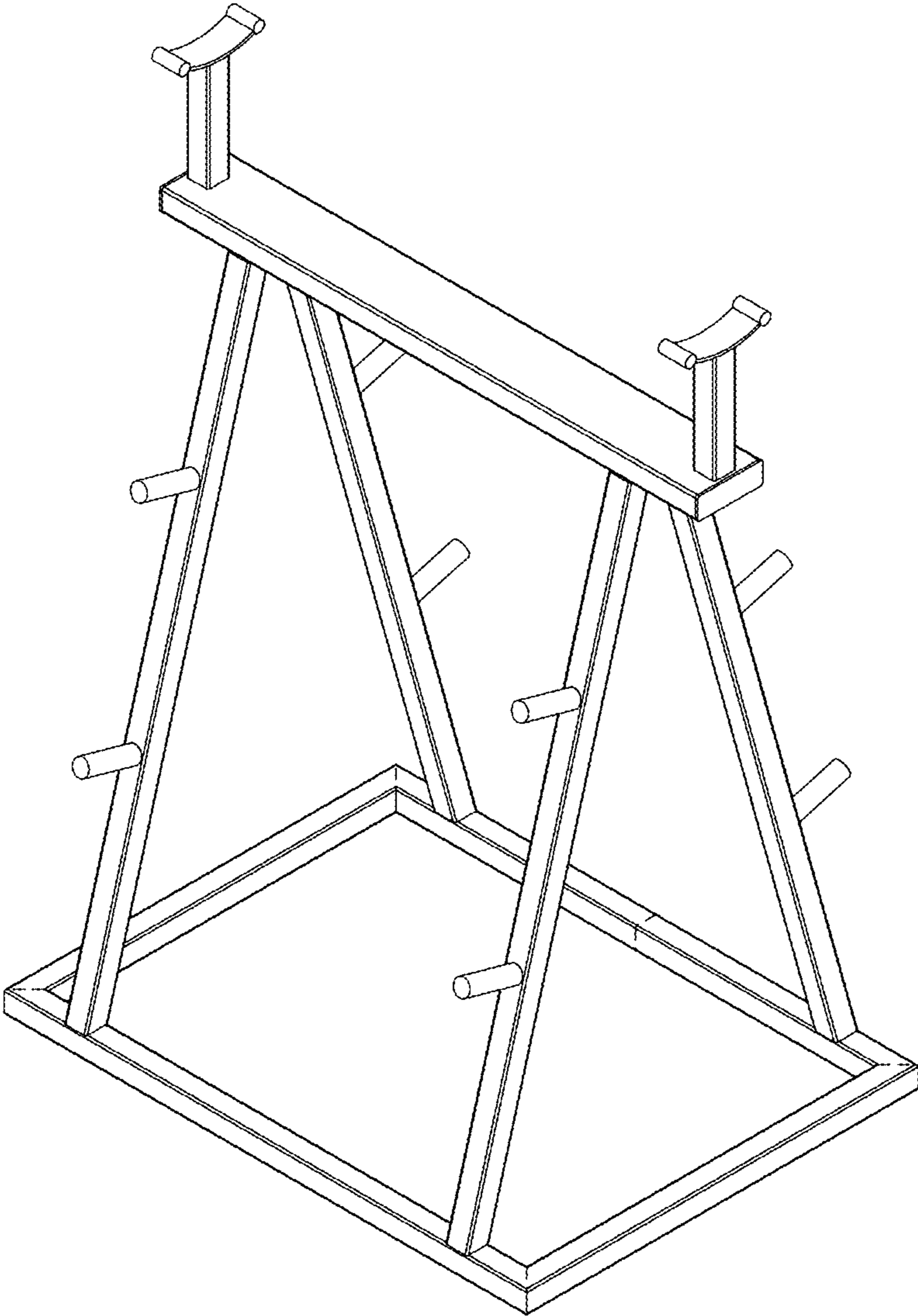


FIG. 1

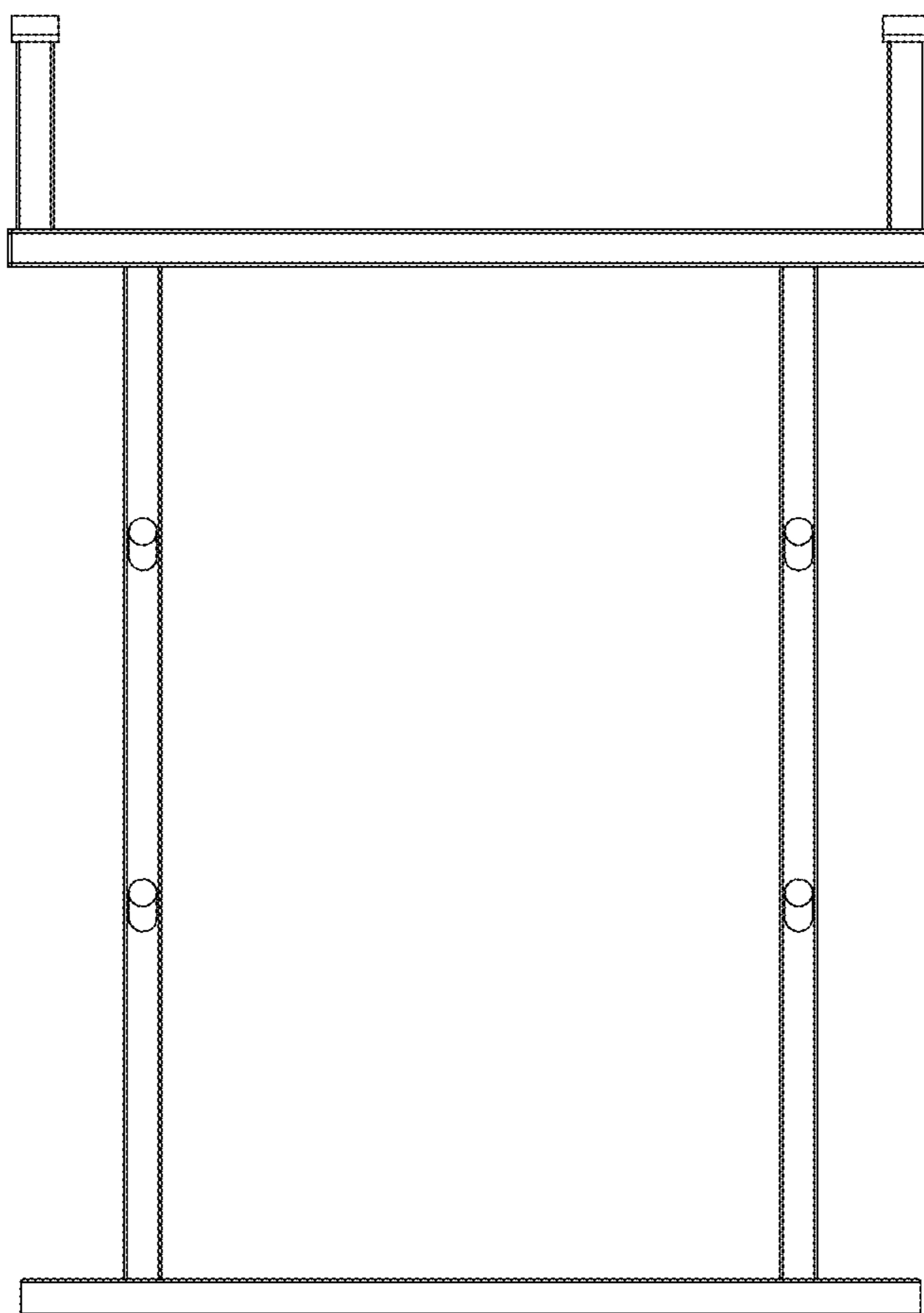


FIG. 2

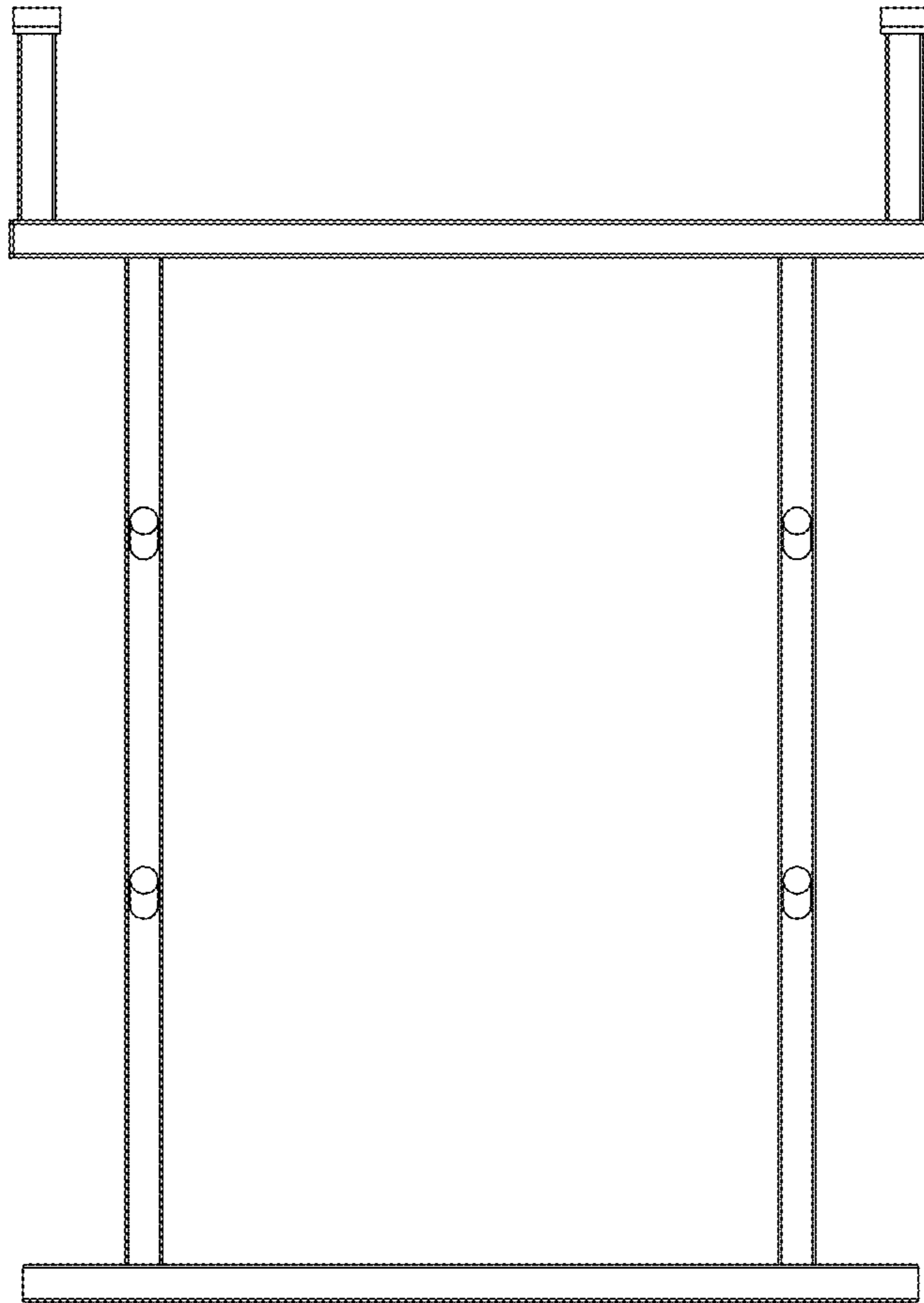


FIG. 3

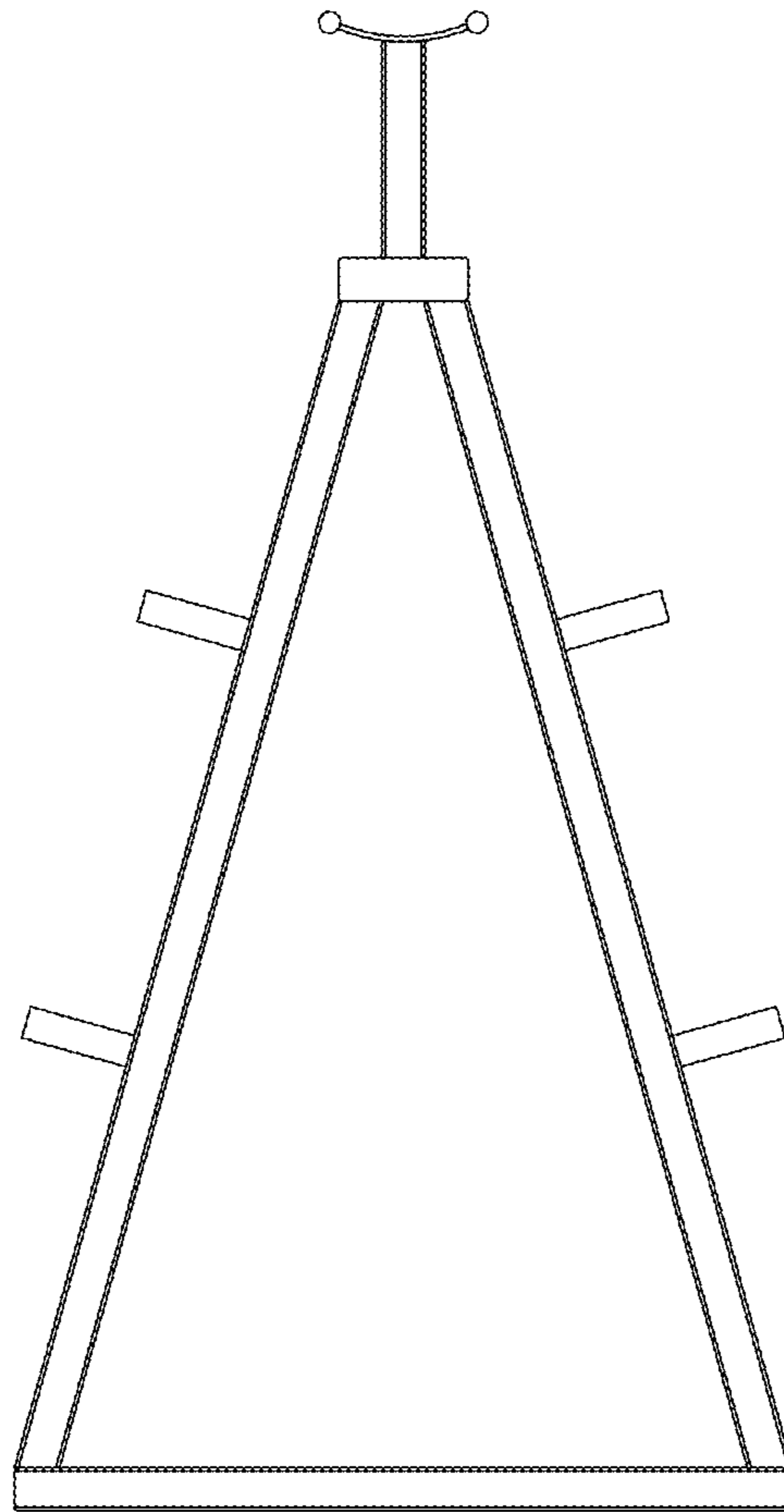


FIG. 4

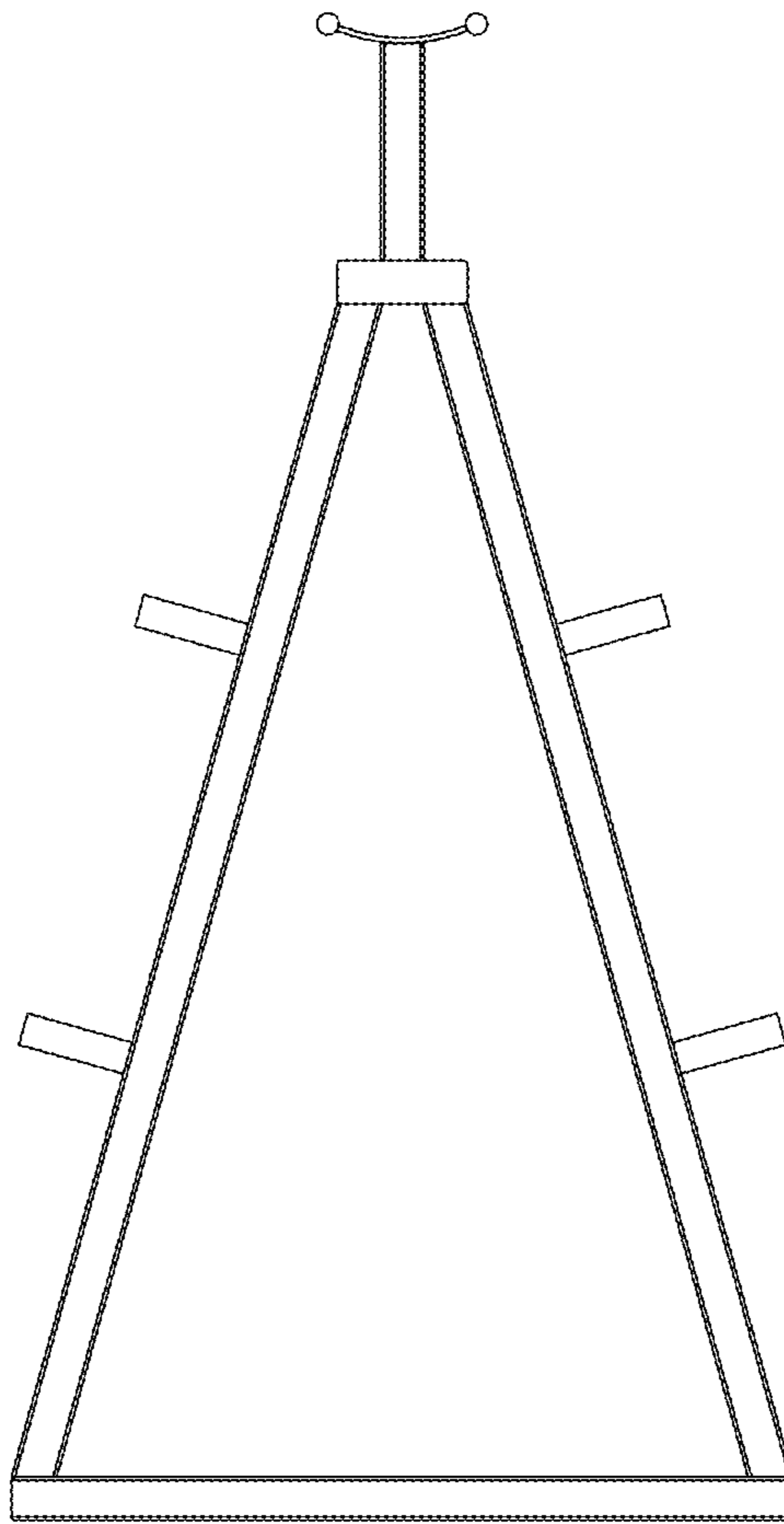


FIG. 5

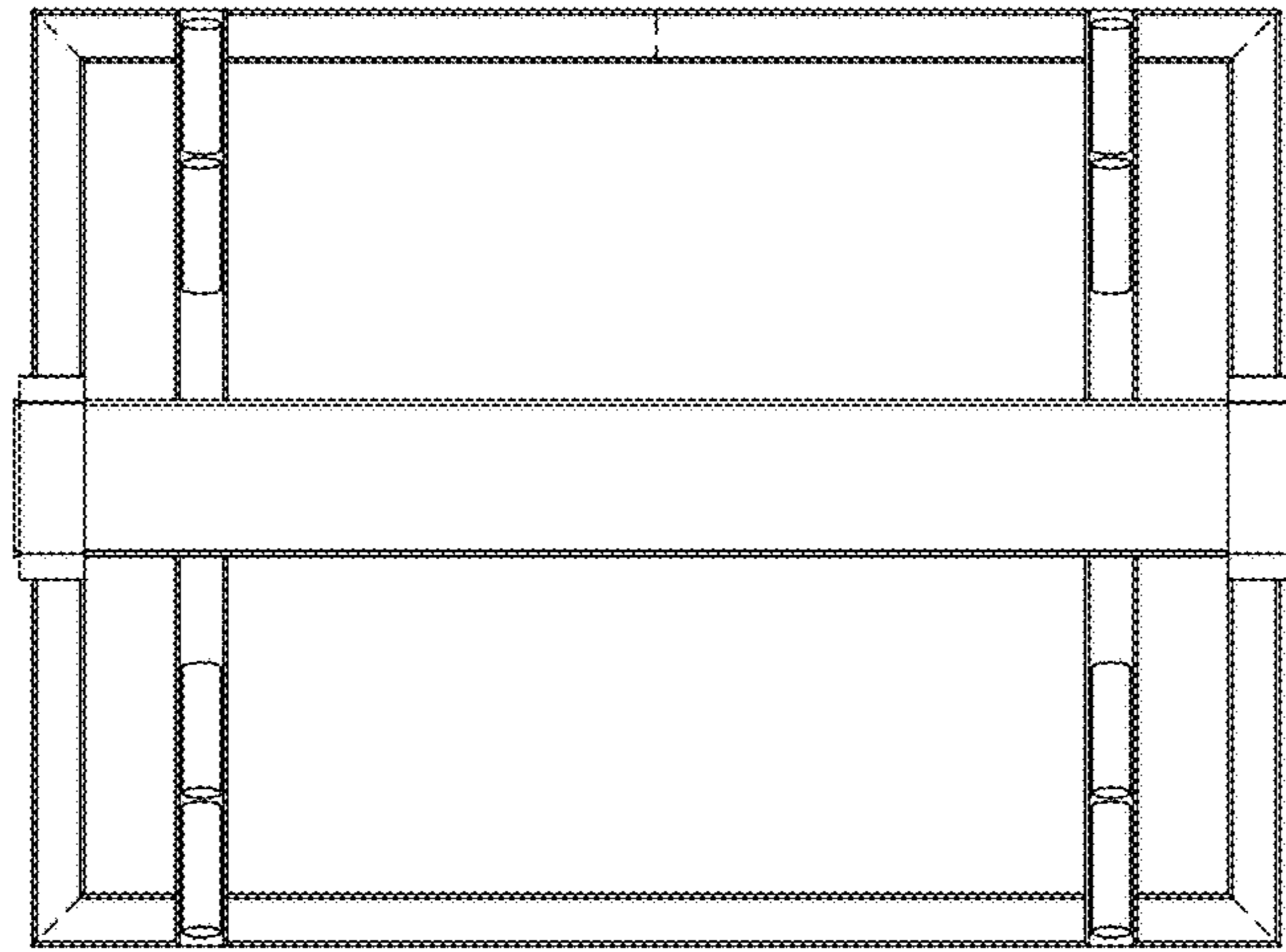


FIG. 6

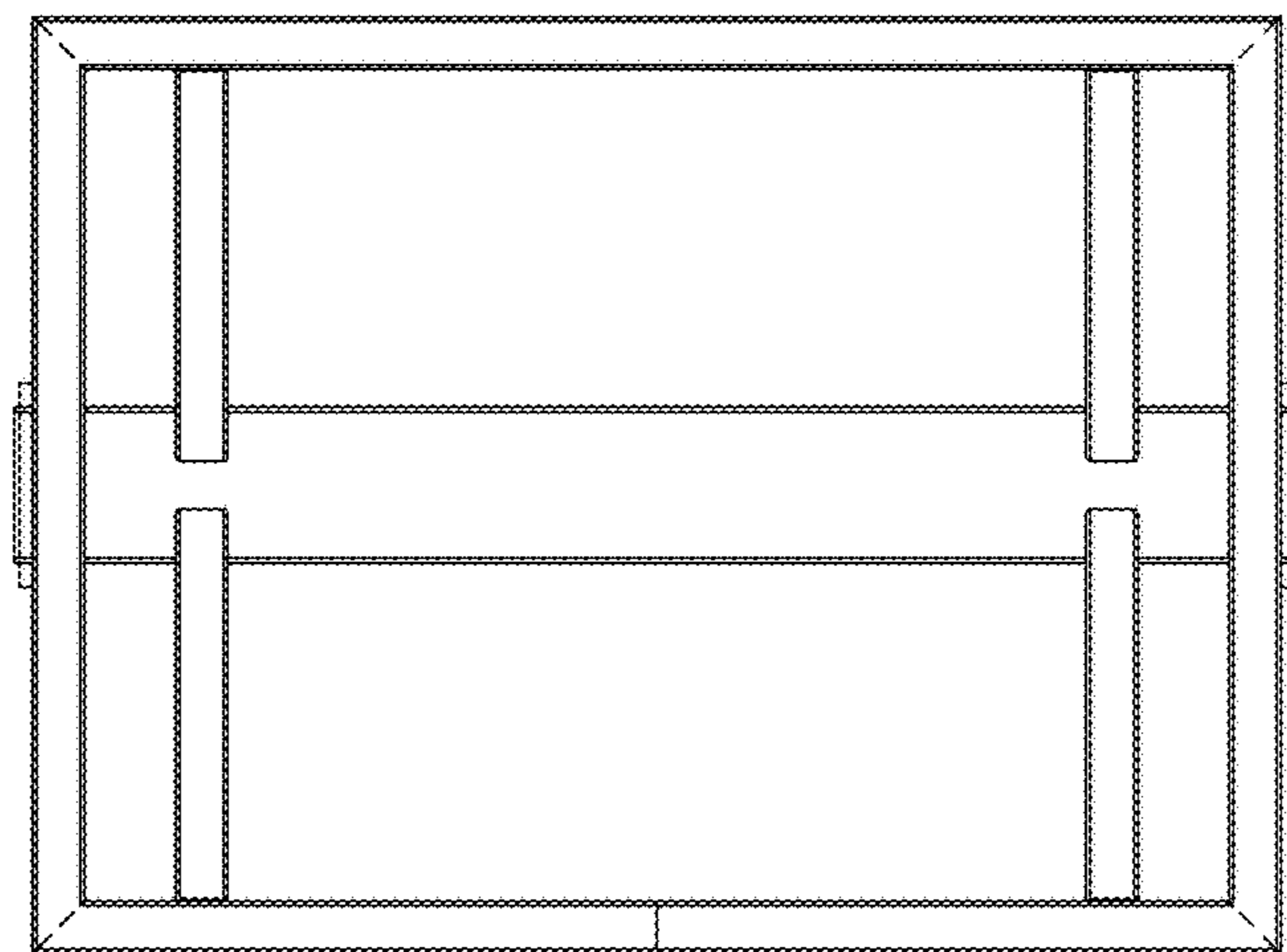


FIG. 7