



US00D806187S

(12) **United States Design Patent** (10) **Patent No.:** **US D806,187 S**
East (45) **Date of Patent:** **** Dec. 26, 2017**

(54) **SPORTS GUIDE**
(71) Applicant: **John East**, Knoxville, TN (US)
(72) Inventor: **John East**, Knoxville, TN (US)
(**) Term: **15 Years**
(21) Appl. No.: **29/535,386**
(22) Filed: **Aug. 6, 2015**
(51) **LOC (10) Cl.** **21-02**
(52) **U.S. Cl.**
USPC **D21/686**
(58) **Field of Classification Search**
USPC ... 482/99, 111, 114, 121, 133, 94, 142, 130,
482/112, 100, 138, 102, 101, 15, 8, 9,
482/901, 95, 96, 51, 92, 93, 136, 104,
482/108, 97, 140, 69, 107, 98, 139, 4, 6,
482/145, 41; 434/29; D21/673, 691,
D21/694, 682, 686, 675, 676, 826, 823,
D21/699, 797
CPC A63B 24/0062; A63B 2210/50; A63B
2230/06; A63B 21/4035; A63B 21/154
See application file for complete search history.

(56) **References Cited**
U.S. PATENT DOCUMENTS
3,856,298 A * 12/1974 Frantti A63B 63/00
273/127 R
D387,110 S * 12/1997 Thiel D21/699
D387,111 S * 12/1997 Delegarde D21/699
7,090,629 B1 * 8/2006 Abbou A63B 23/0405
482/148

8,075,456 B2 * 12/2011 Fugitt A63B 69/00
36/132
D686,287 S * 7/2013 Boatwright D21/686
9,446,284 B2 * 9/2016 Sela A63B 21/15

OTHER PUBLICATIONS

Dan Ogborn, Strong Science # 1 Jan. 13, 2012 (9 pages).

* cited by examiner

Primary Examiner — Robert M Spear
Assistant Examiner — Ryan Harvey
(74) *Attorney, Agent, or Firm* — Luedeka Neely Group,
PC

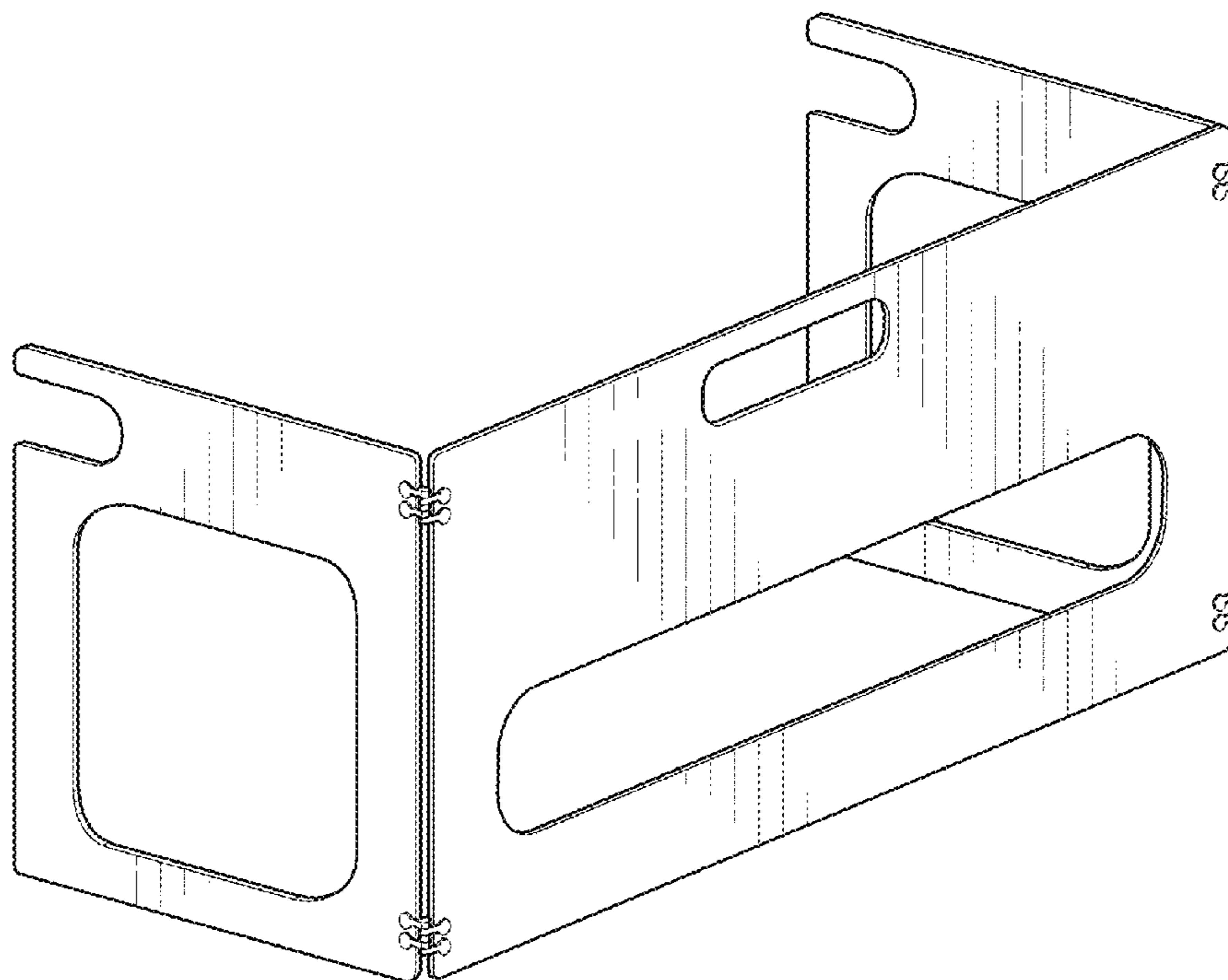
(57) **CLAIM**

The ornamental design for a sports guide, as shown and described.

DESCRIPTION

FIG. 1 is a perspective view of a sports guide of my new design in an unfolded configuration;
FIG. 2 is a left side elevation view of the sports guide of FIG. 1;
FIG. 3 is a right side elevation view of the sports guide of FIG. 1;
FIG. 4 is a front plan view of the sports guide of FIG. 1;
FIG. 5 is a rear plan view of the sports guide of FIG. 1;
FIG. 6 is a top plan view of the sports guide of FIG. 1;
FIG. 7 is a bottom plan view of the sports guide of FIG. 1;
and,
FIG. 8 is a perspective view of a sports guide of my new design in a folded configuration.

1 Claim, 5 Drawing Sheets



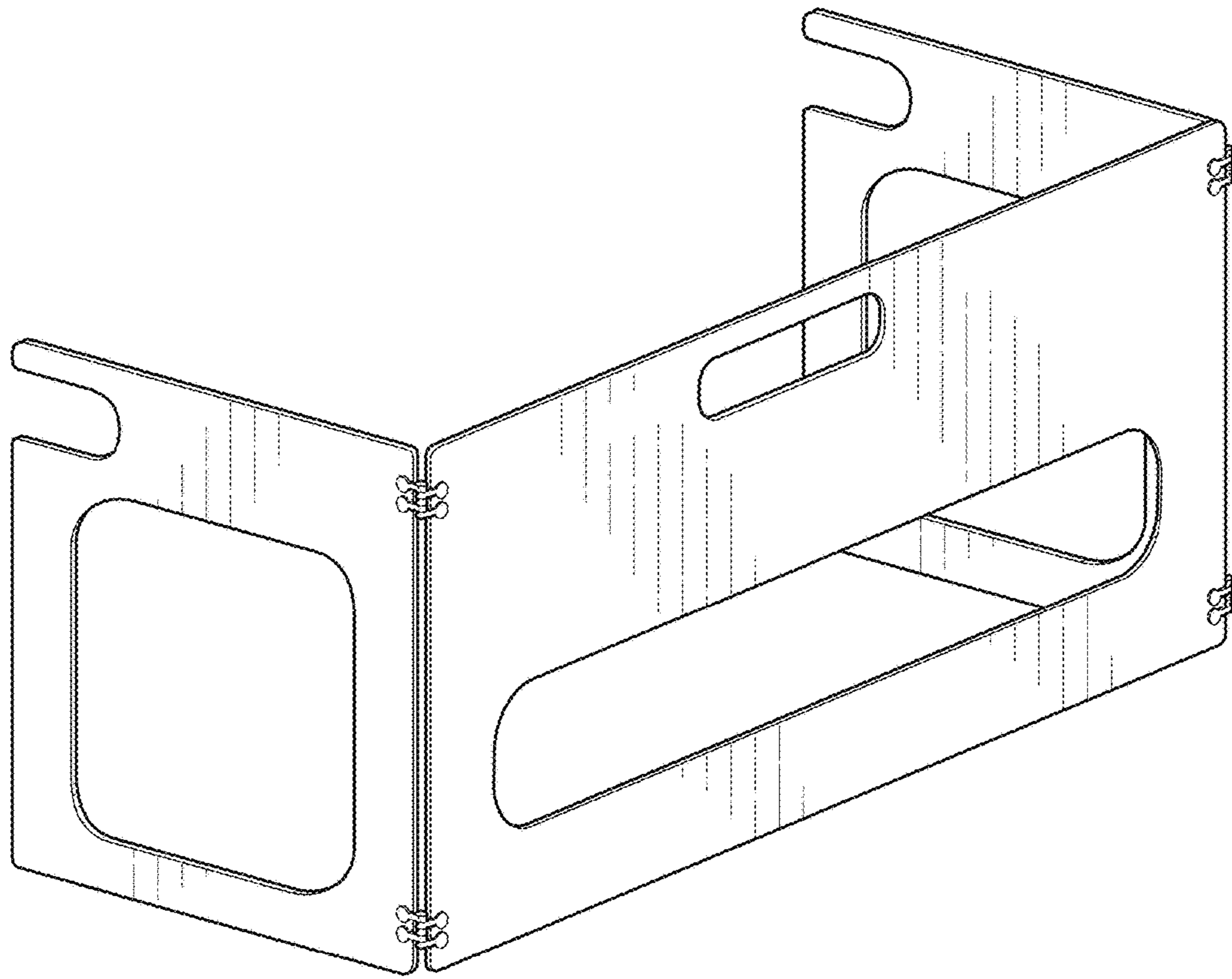


FIG. 1

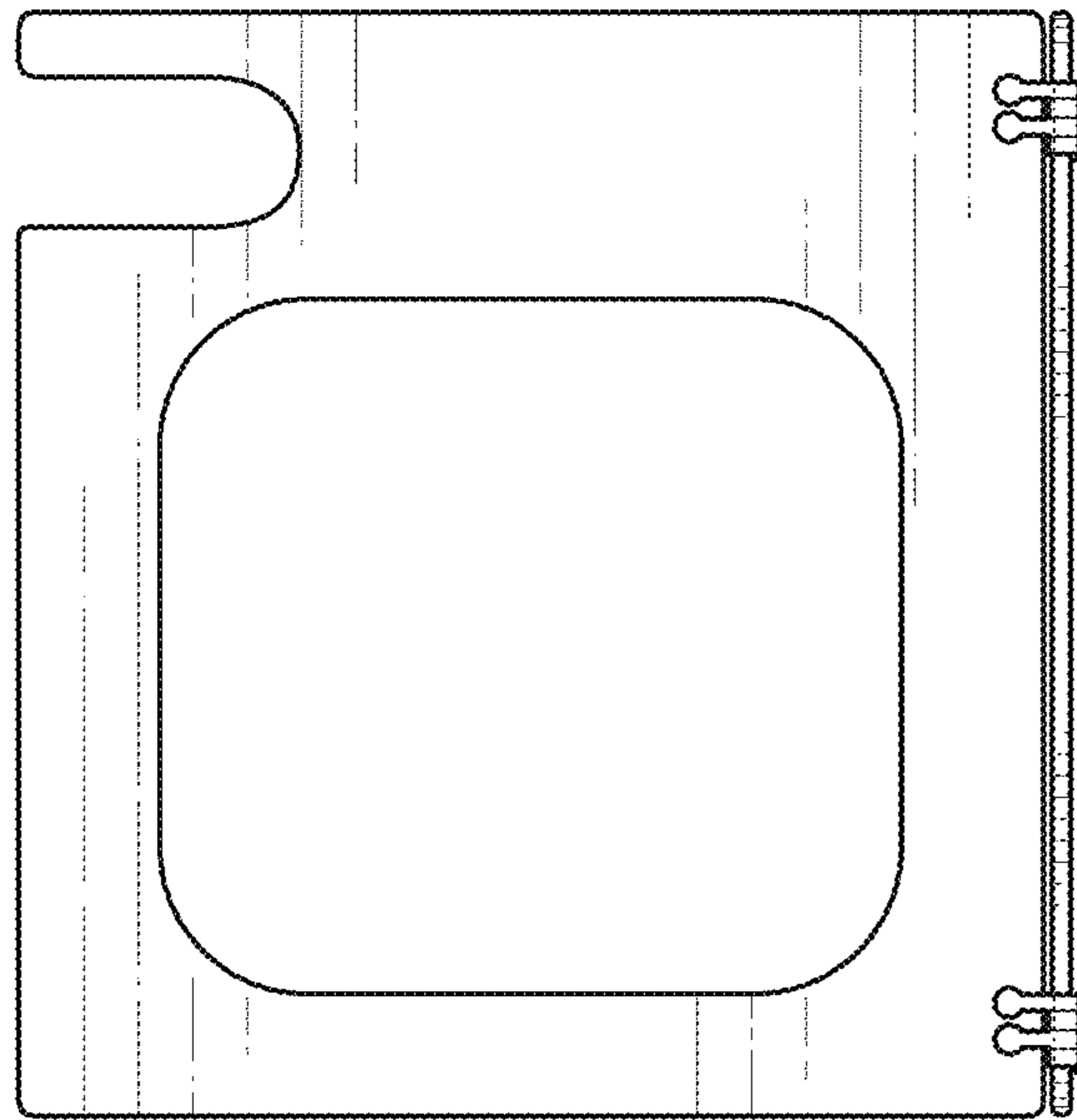


FIG. 2

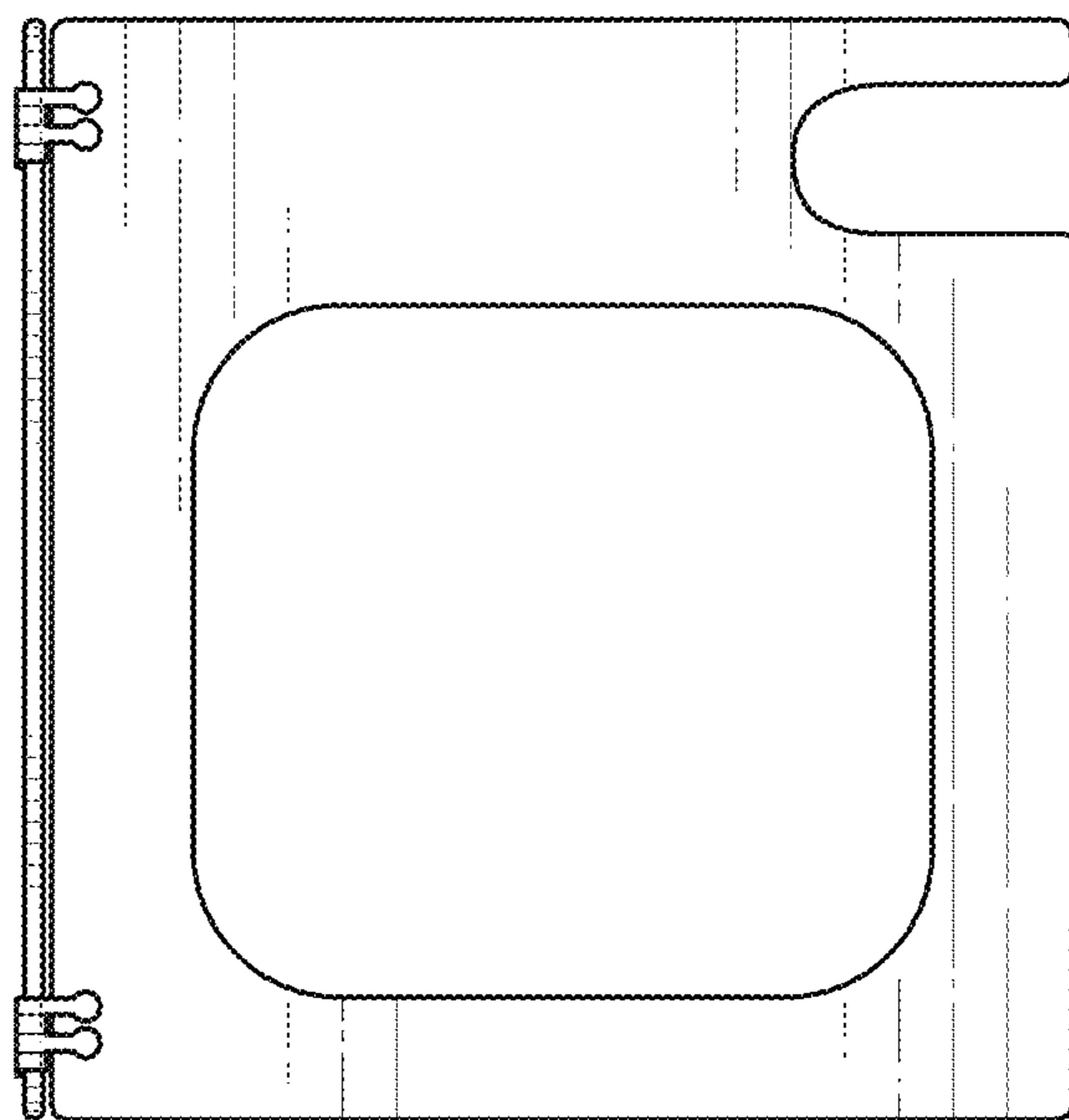


FIG. 3

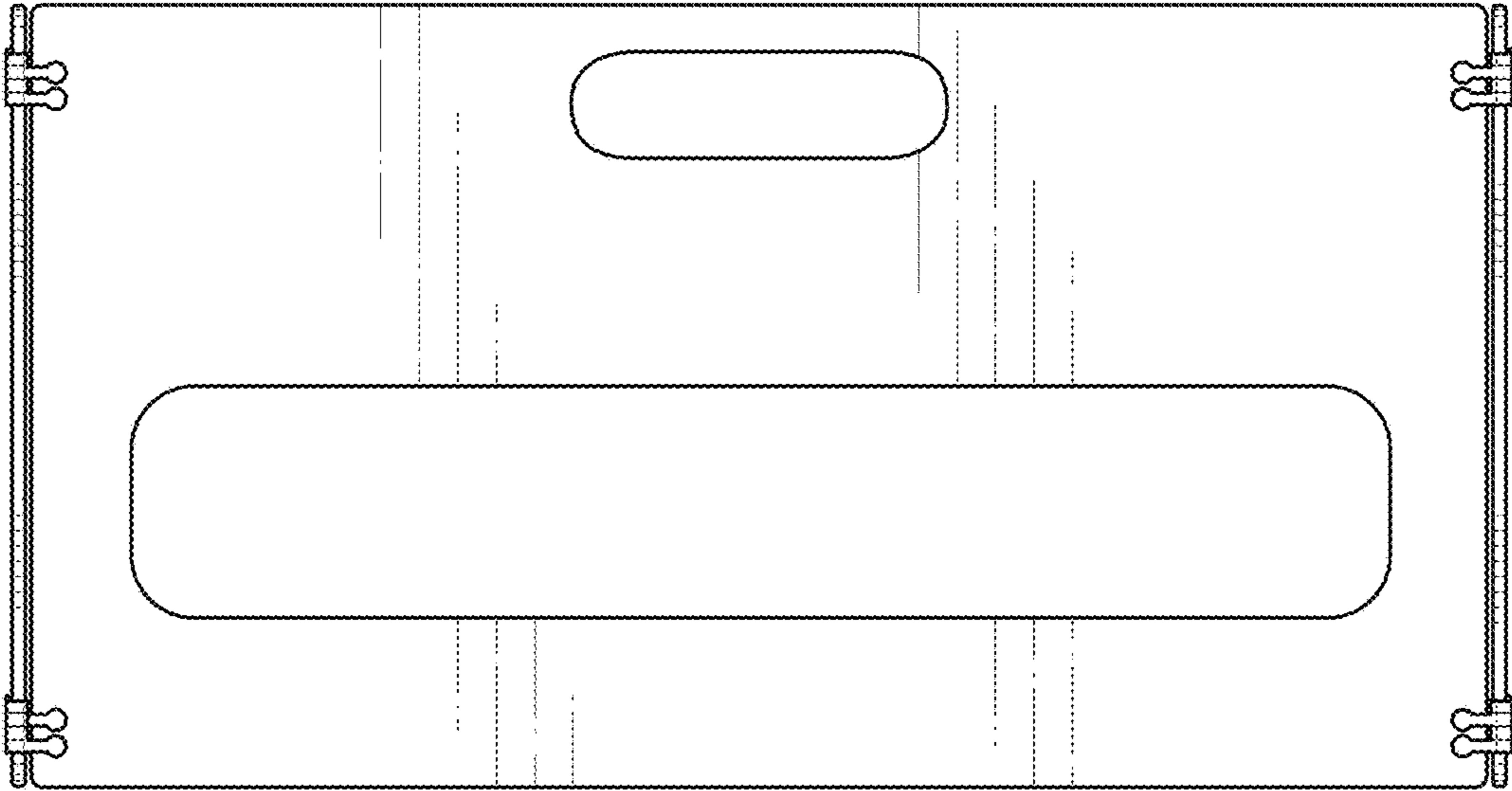


FIG. 4

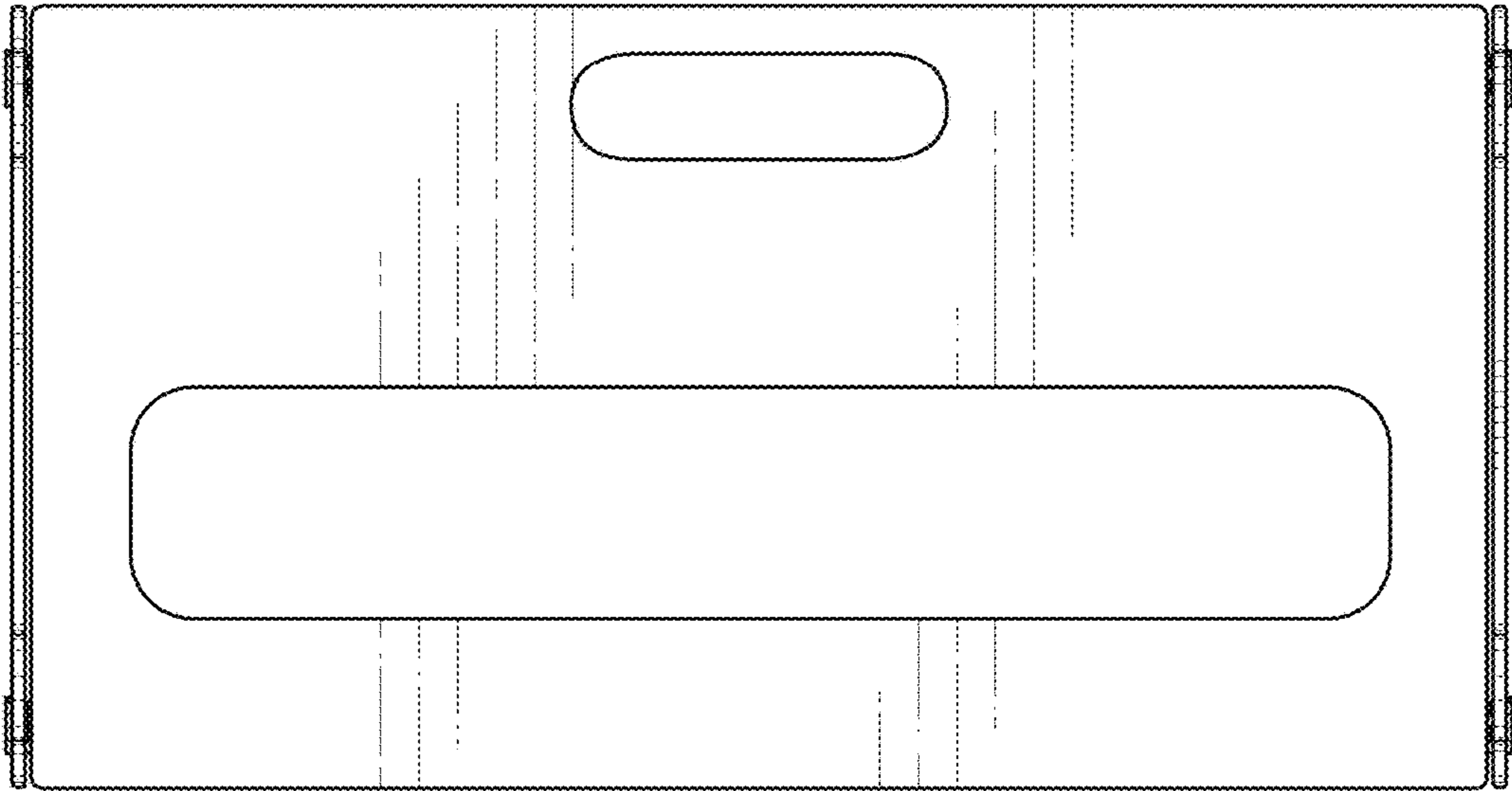


FIG. 5

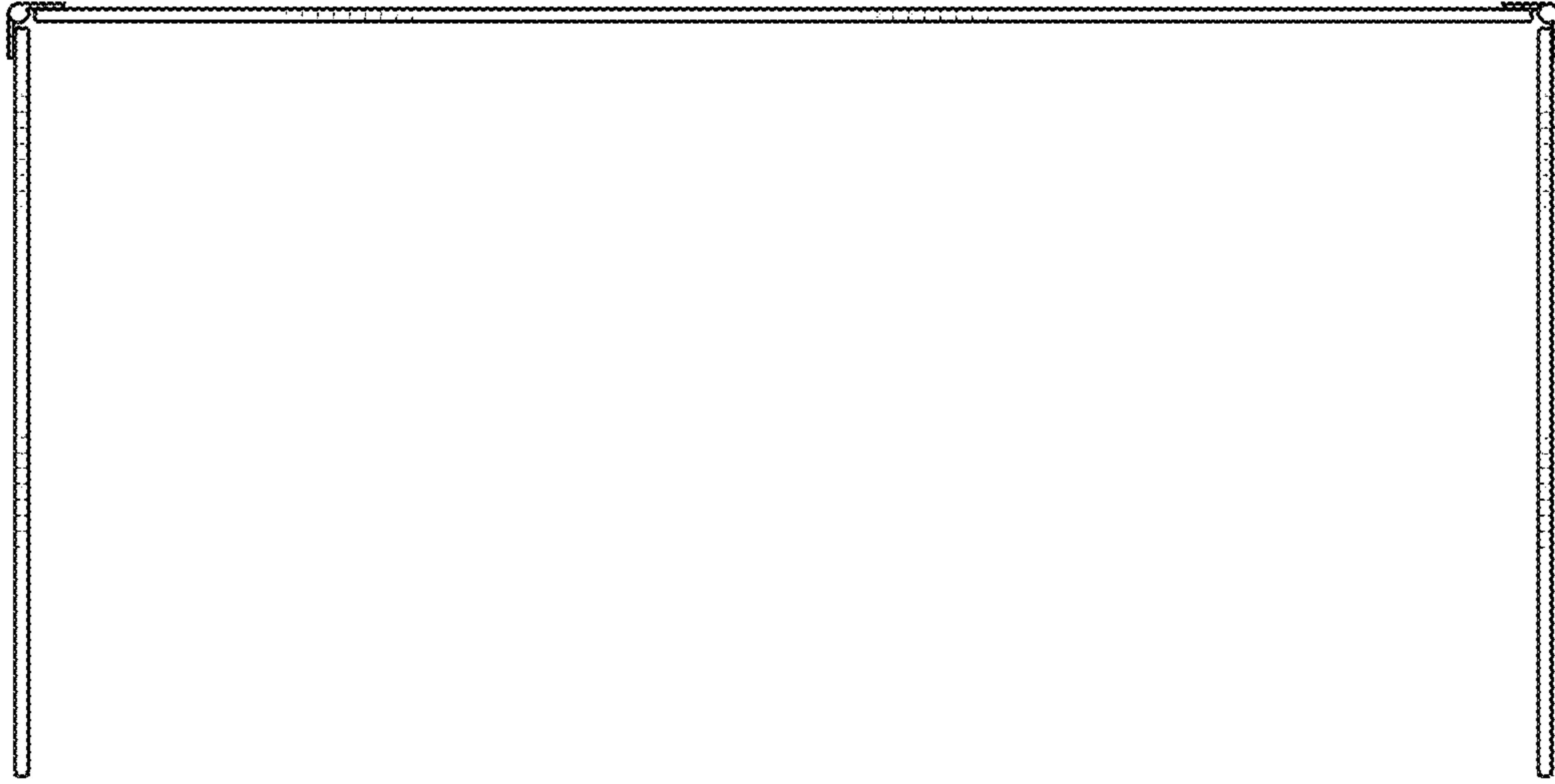


FIG. 6

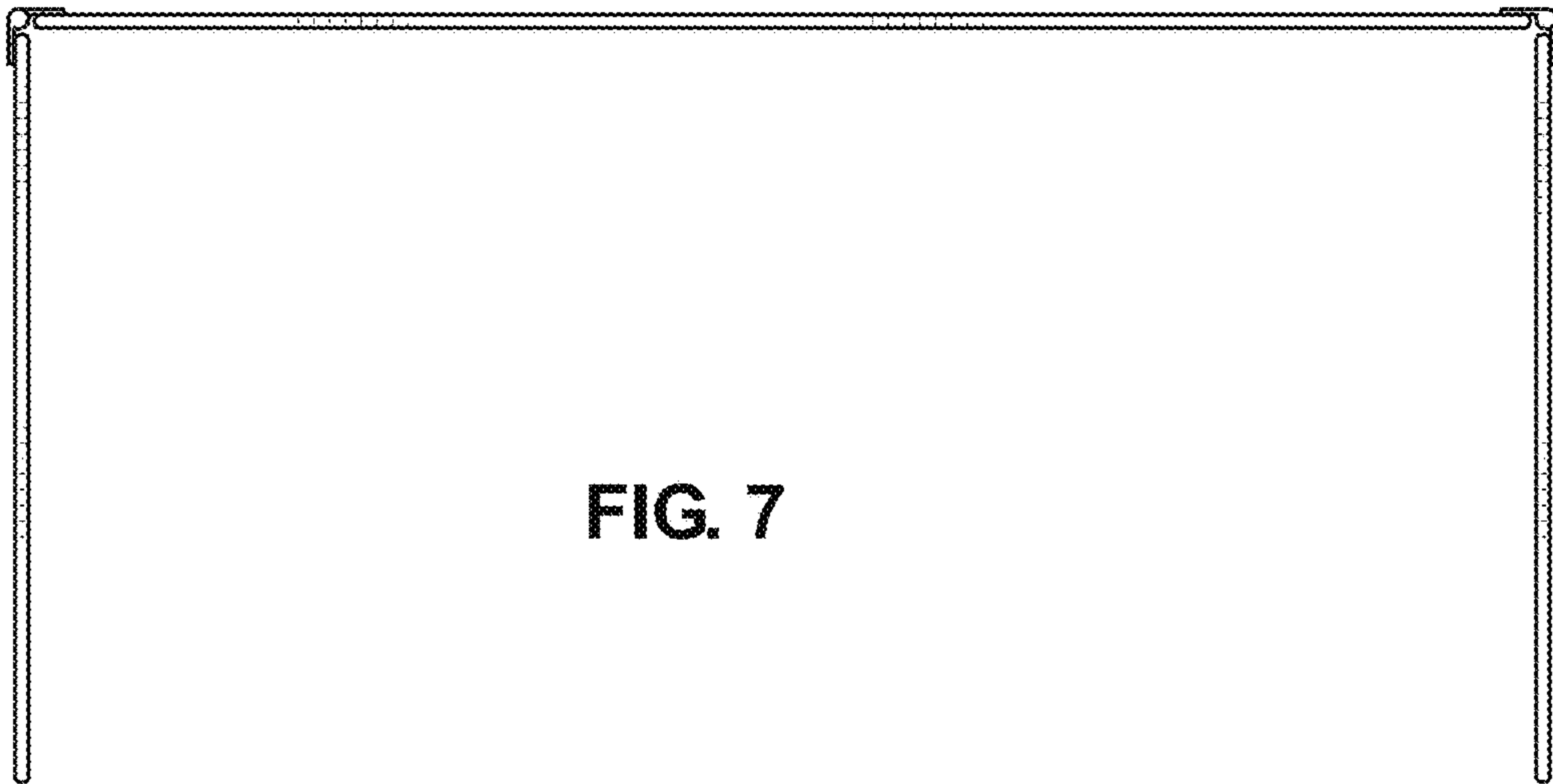


FIG. 7

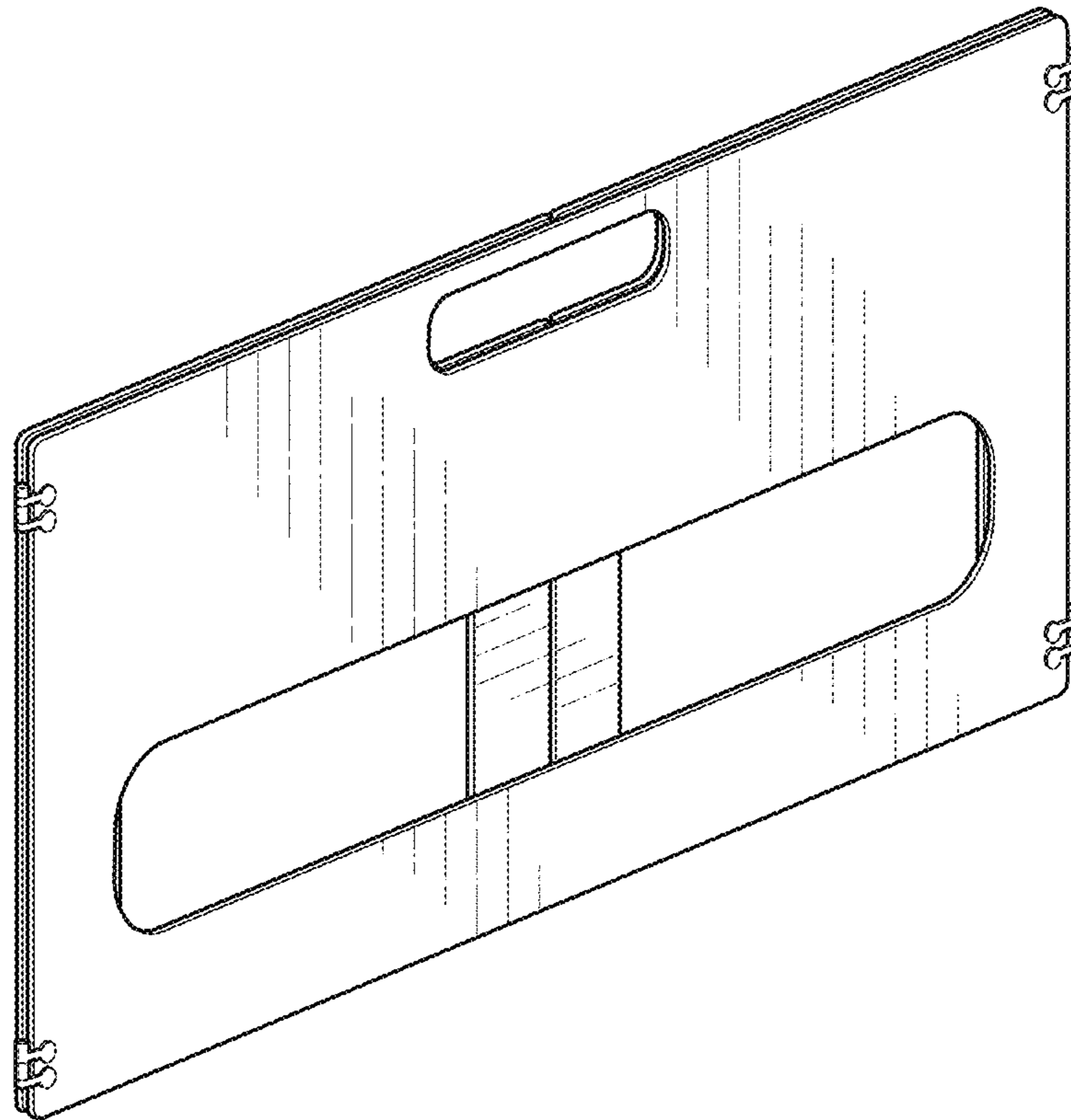


FIG. 8