



US00D806185S

(12) **United States Design Patent**  
**Ross et al.**

(10) **Patent No.:** **US D806,185 S**

(45) **Date of Patent:** **\*\* \*Dec. 26, 2017**

(54) **TIRE TRAINER**

(71) Applicant: **Exemplar Design, LLC**, Mason, OH  
(US)

(72) Inventors: **Adam L. Ross**, Mason, OH (US); **Matt Nelson**, Mankato, MN (US)

(73) Assignee: **Exemplar Design, LLC**, Mason

(\*) Notice: This patent is subject to a terminal disclaimer.

(\*\*) Term: **15 Years**

(21) Appl. No.: **29/584,388**

(22) Filed: **Nov. 14, 2016**

(51) **LOC (10) Cl.** ..... **21-02**

(52) **U.S. Cl.**  
USPC ..... **D21/662**

(58) **Field of Classification Search**  
USPC ..... 114/345, 361; 446/170; 482/106, 108, 482/110, 14, 15, 27, 30, 44, 45, 77, 83, 482/92, 93; D12/202, 316; D21/662, D21/671, 672, 680, 682, 684, 686, 688, D21/692, 694, 770, 798, 801, 803; D24/200; D7/606, 608; D9/763, 767, D9/781; D17/22, 99  
CPC ..... A63B 2225/62; A63B 21/4035; A63B 23/0405; A63B 23/047  
See application file for complete search history.

(56) **References Cited**

**U.S. PATENT DOCUMENTS**

D495,014 S \* 8/2004 Zabel ..... D21/662  
D507,608 S \* 7/2005 Chen ..... D21/662

D546,907 S \* 7/2007 Dykgraaf ..... D21/662  
D588,975 S \* 3/2009 Spater ..... D12/202  
D632,354 S \* 2/2011 Perry ..... D21/803  
D650,462 S \* 12/2011 Parten ..... D21/803  
D724,162 S \* 3/2015 James ..... A63B 23/1236  
D21/688  
D751,655 S \* 3/2016 Januszek ..... D21/662  
2005/0096195 A1 \* 5/2005 Morrissette ..... A63B 21/06  
482/93  
2015/0165258 A1 \* 6/2015 Januszek ..... A63B 21/06  
482/93

\* cited by examiner

*Primary Examiner* — Cynthia Ramirez

*Assistant Examiner* — Michael Maharajh

(74) *Attorney, Agent, or Firm* — Baker & Hostetler LLP

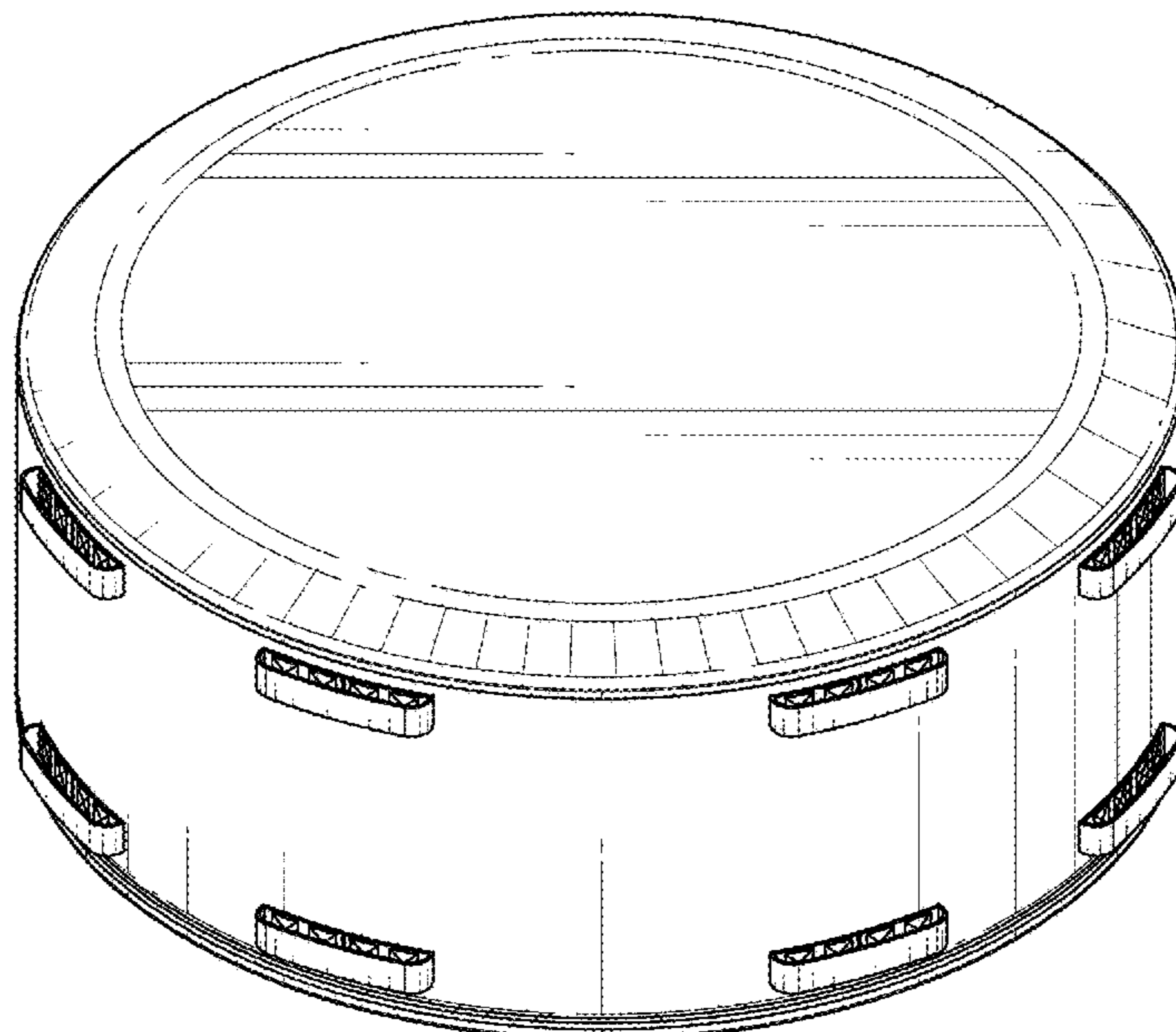
(57) **CLAIM**

We claim the ornamental design for a tire trainer, as shown and described herein.

**DESCRIPTION**

FIG. 1 is a top perspective view of the tire trainer showing my new design;  
FIG. 2 is a front view thereof;  
FIG. 3 is a back view thereof;  
FIG. 4 is a left side elevation view thereof;  
FIG. 5 is a right side elevation view thereof;  
FIG. 6 is a top plan view thereof; and,  
FIG. 7 is a bottom plan view thereof.

**1 Claim, 5 Drawing Sheets**



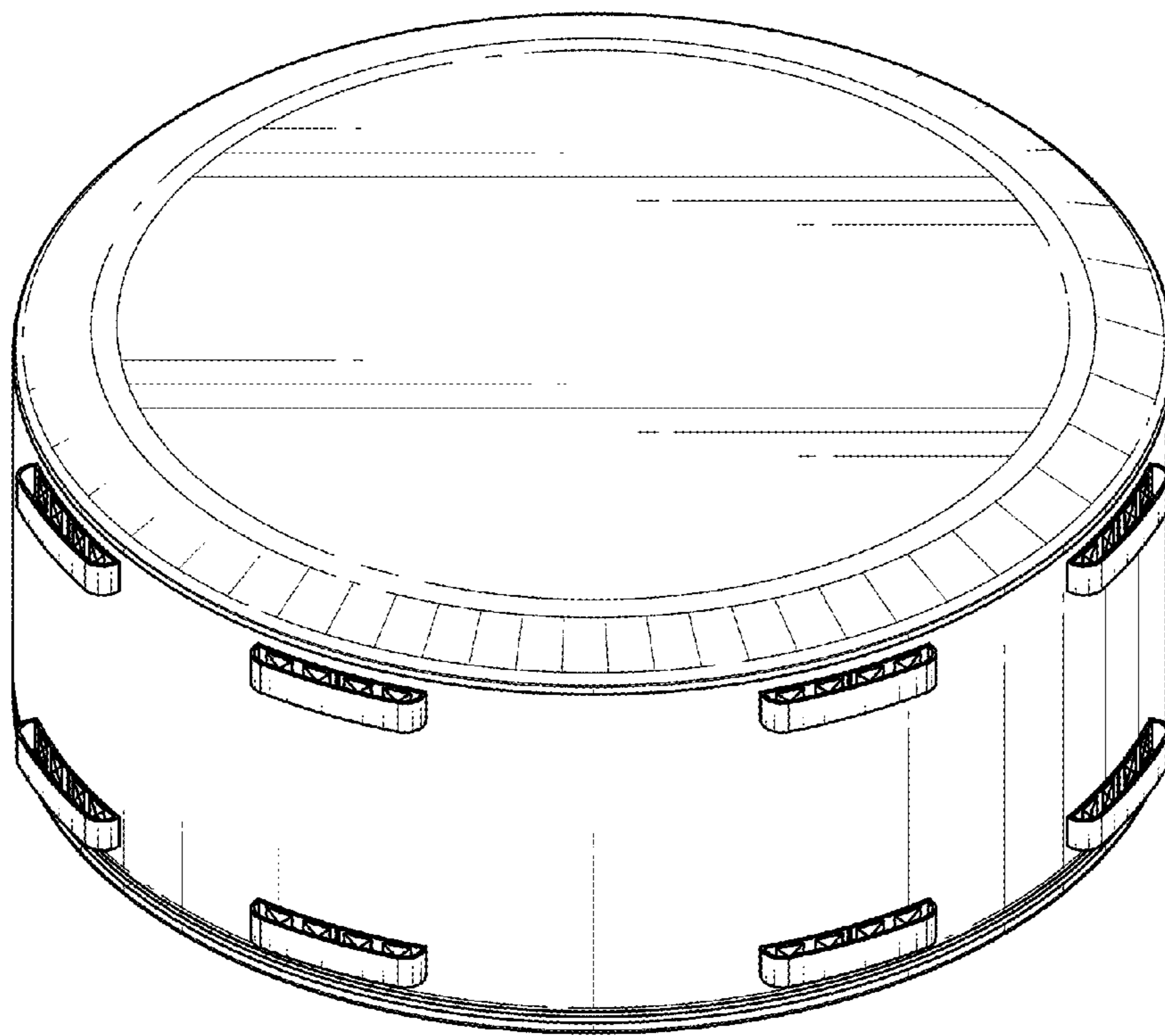


FIG. 1

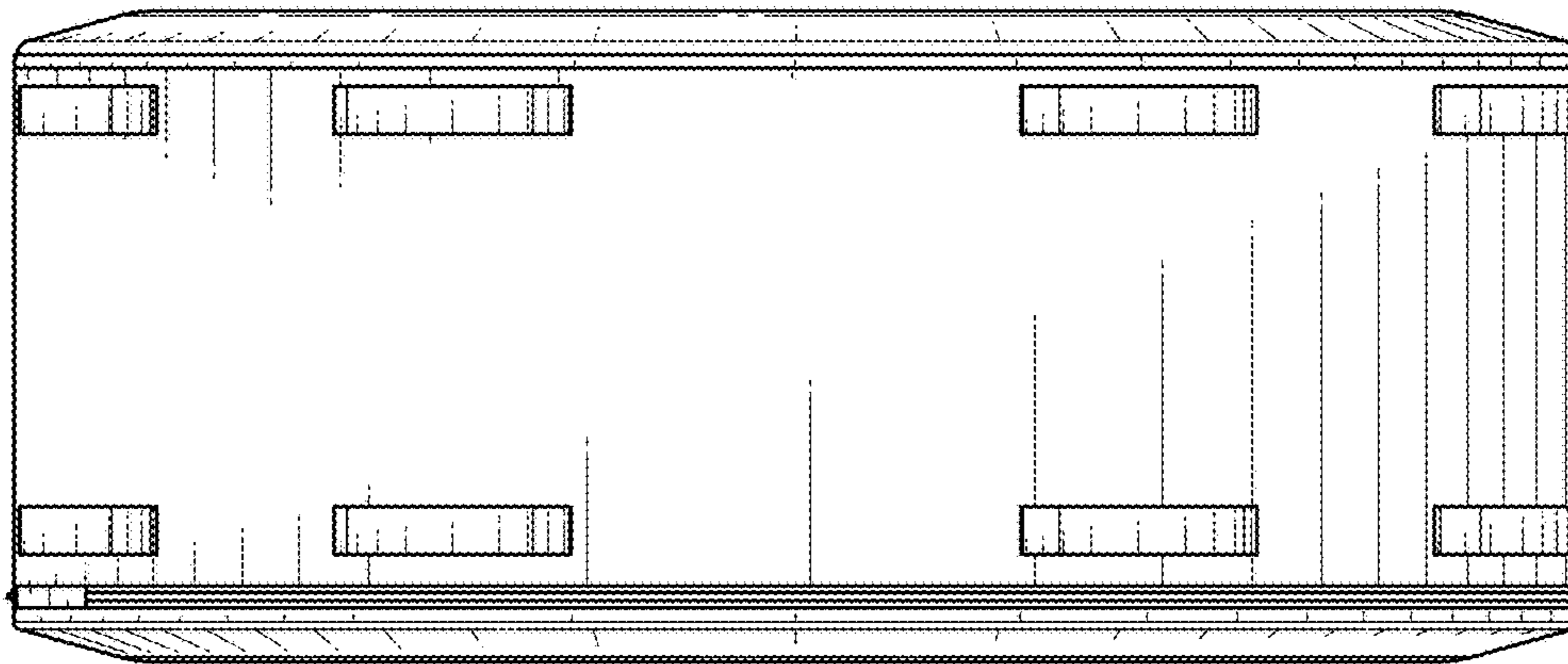


FIG. 2

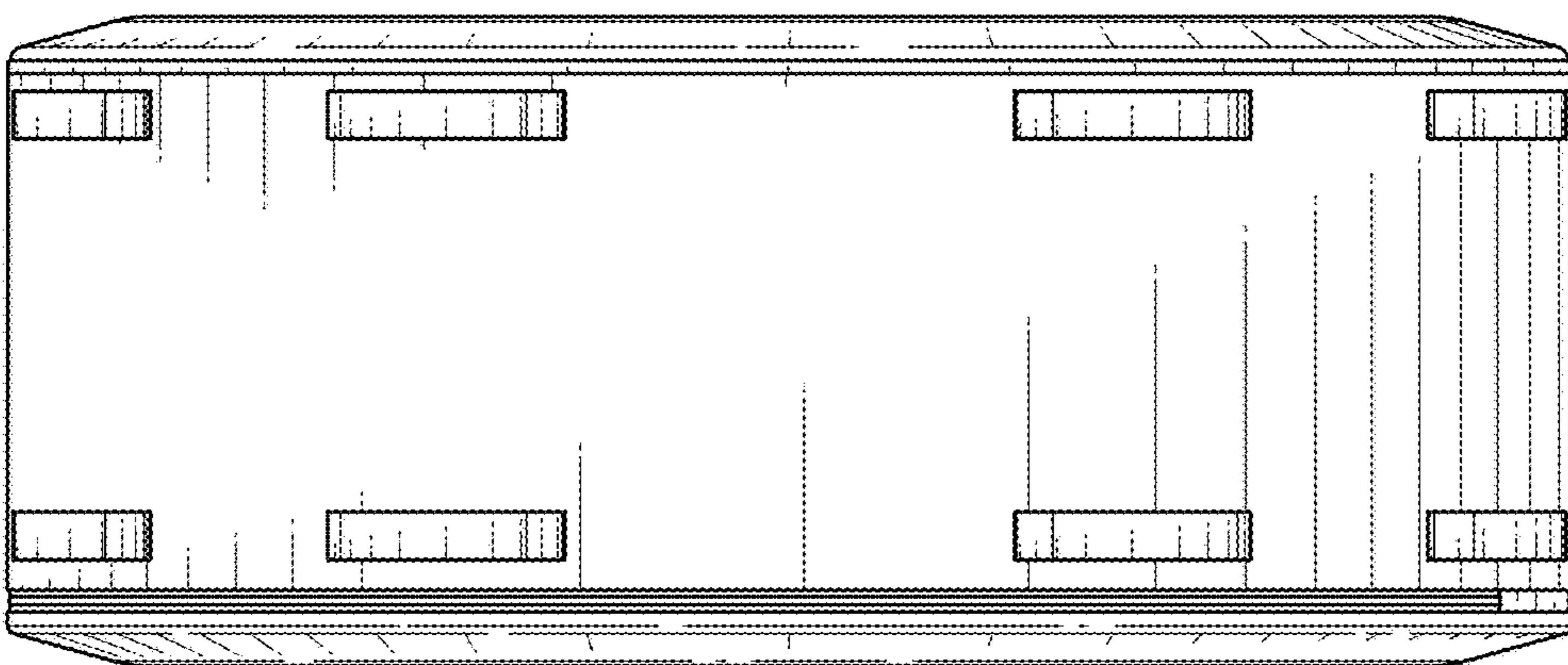


FIG. 3

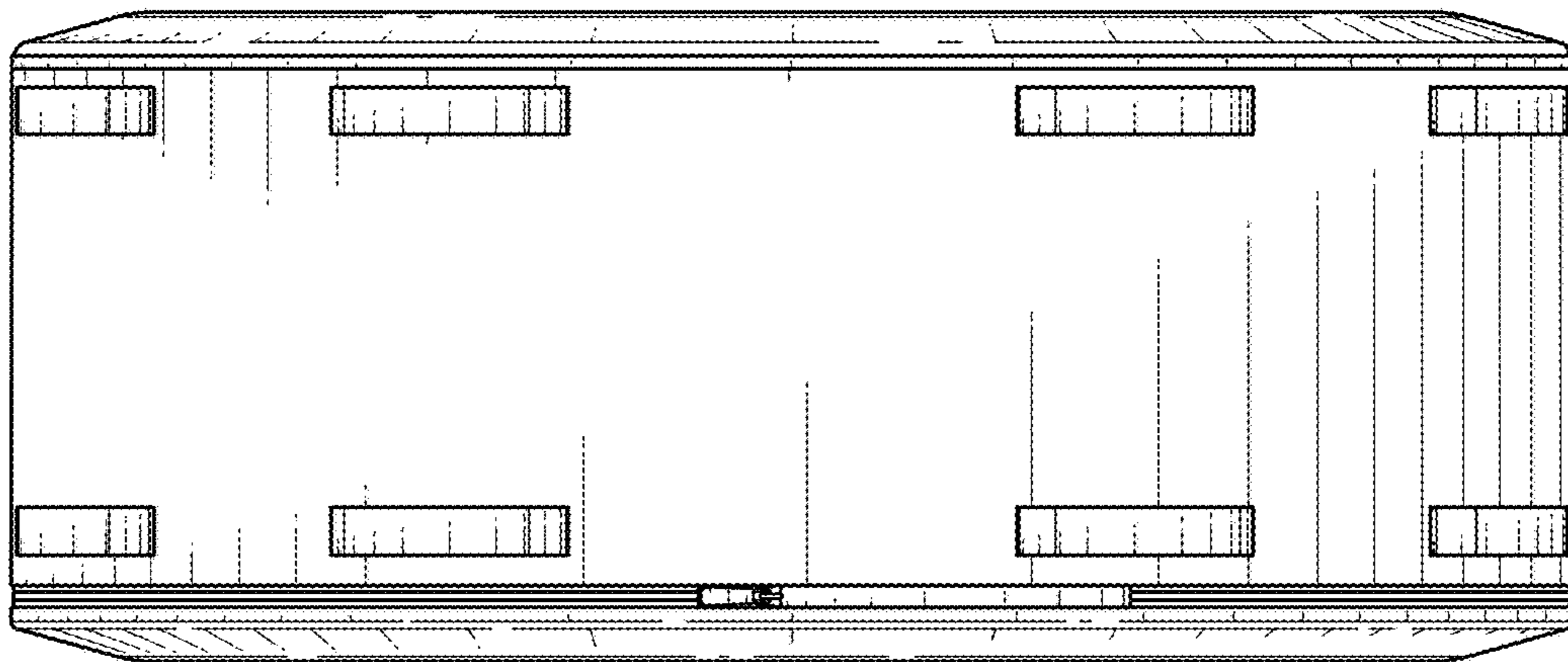


FIG. 4

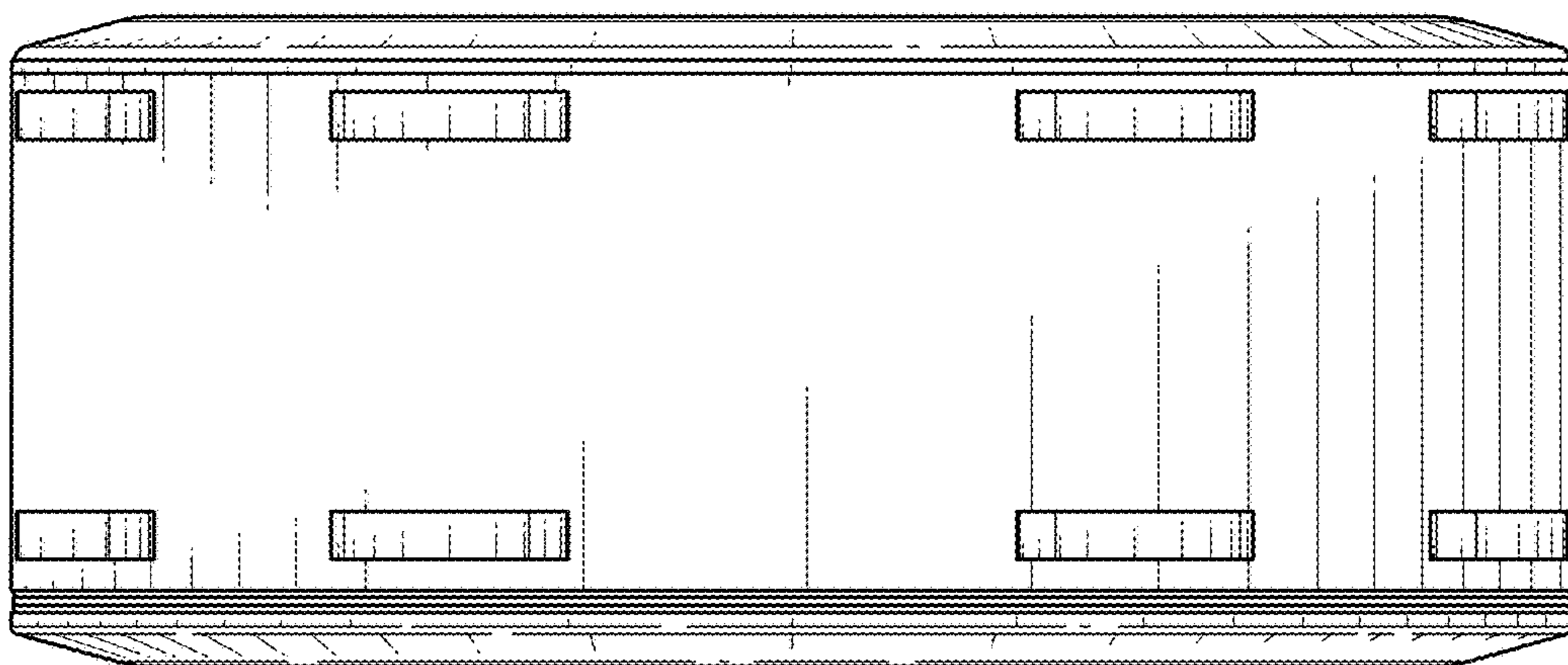


FIG. 5

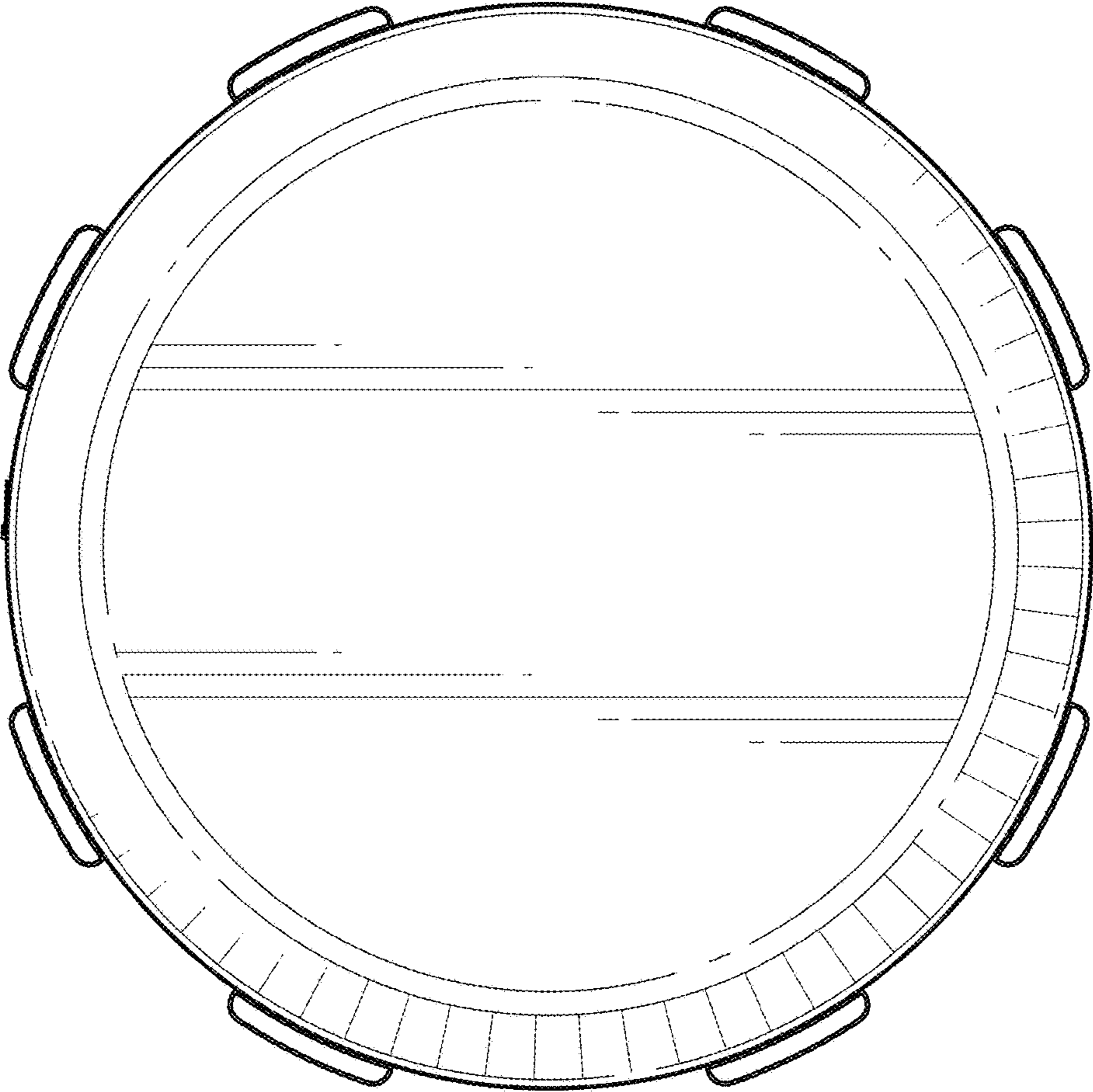


FIG. 6

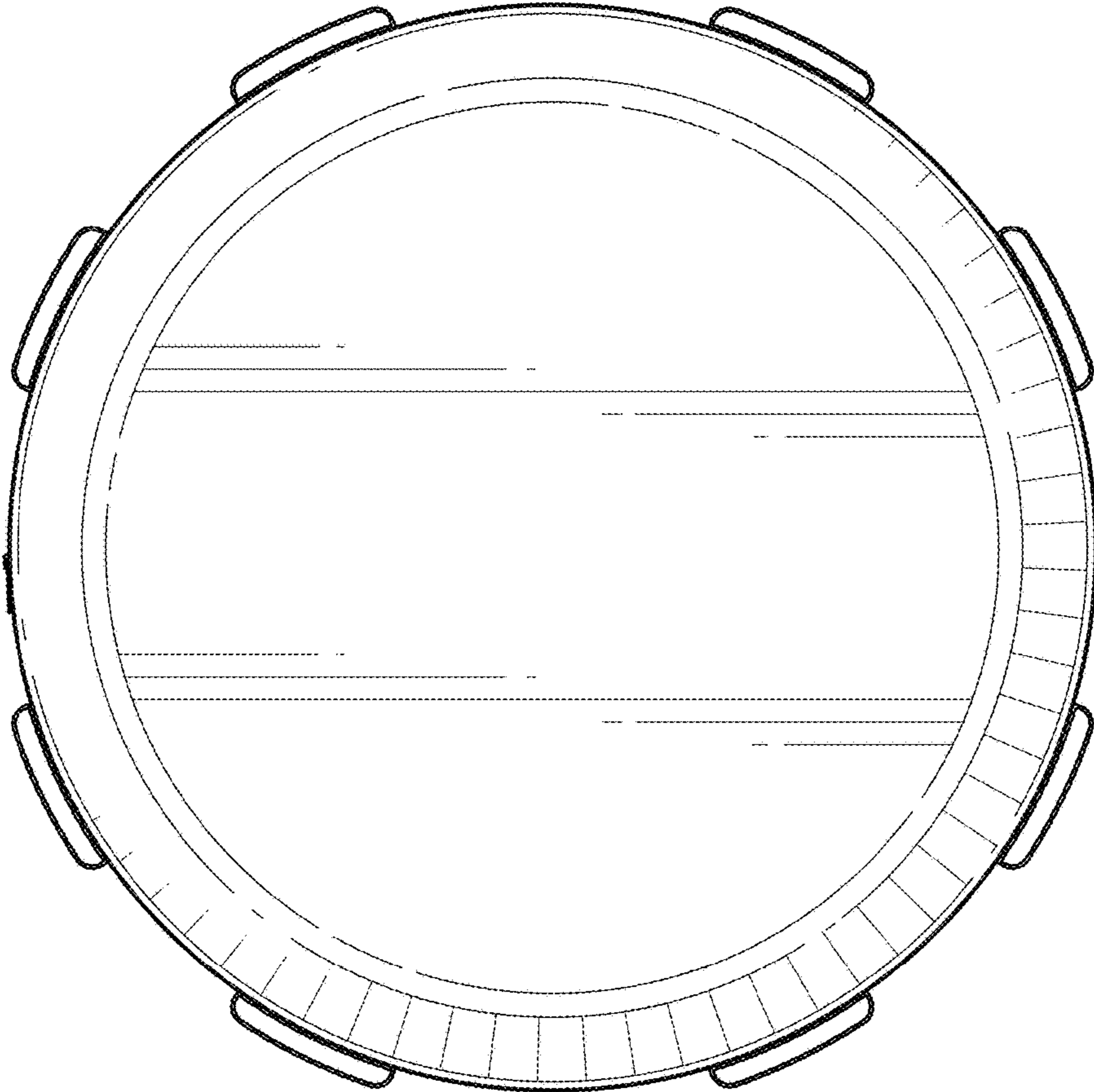


FIG. 7