



US00D806180S

(12) **United States Design Patent**
Simonds et al.

(10) **Patent No.:** **US D806,180 S**

(45) **Date of Patent:** **** Dec. 26, 2017**

(54) **12 STUD CUBE WITH HOLE**

(71) Applicant: **Chiswick Innovations Limited**,
London (GB)

(72) Inventors: **Colin Duncan Simonds**, London (GB);
James Campbell Duncan Simonds,
London (GB)

(73) Assignee: **CHISWICK INNOVATIONS LIMITED**, London (GB)

(**) Term: **15 Years**

(21) Appl. No.: **29/581,136**

(22) Filed: **Oct. 17, 2016**

(51) **LOC (10) Cl.** **21-01**

(52) **U.S. Cl.**
USPC **D21/499**

(58) **Field of Classification Search**
USPC D21/333, 373, 386, 389, 404, 468, 470,
D21/471, 475, 484-505; D3/304, 314;
D24/101; D9/640

CPC A63H 33/04; A63H 33/06; A63H 33/062;
A63H 33/08; A63H 33/088; A63F 9/12;
A63F 9/1224

See application file for complete search history.

(56) **References Cited**

U.S. PATENT DOCUMENTS

D296,342 S * 6/1988 Knudsen D21/499
D343,427 S * 1/1994 Sher 446/128

D413,636 S * 9/1999 Laserna Fernandez D21/499
D512,108 S * 11/2005 Lin D21/499
D702,774 S * 4/2014 Wizenberg D21/499
D741,414 S * 10/2015 Lu D21/499
D760,324 S * 6/2016 Akimoto D21/499
D765,189 S * 8/2016 Kiribuchi D21/499
D776,205 S * 1/2017 Facey D21/499

* cited by examiner

Primary Examiner — Cynthia M Chin

(74) *Attorney, Agent, or Firm* — Jacobson Holman,
PLLC.

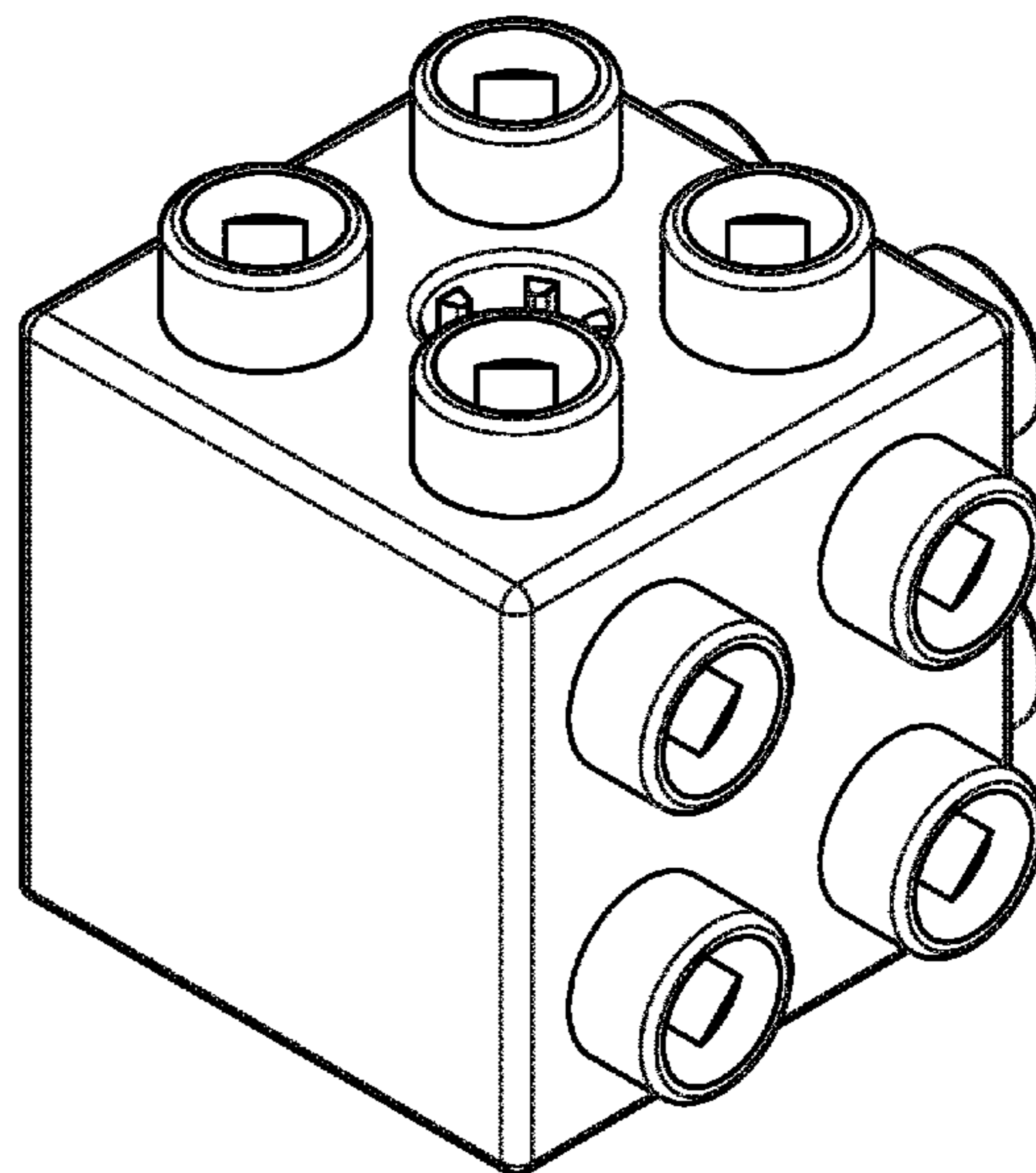
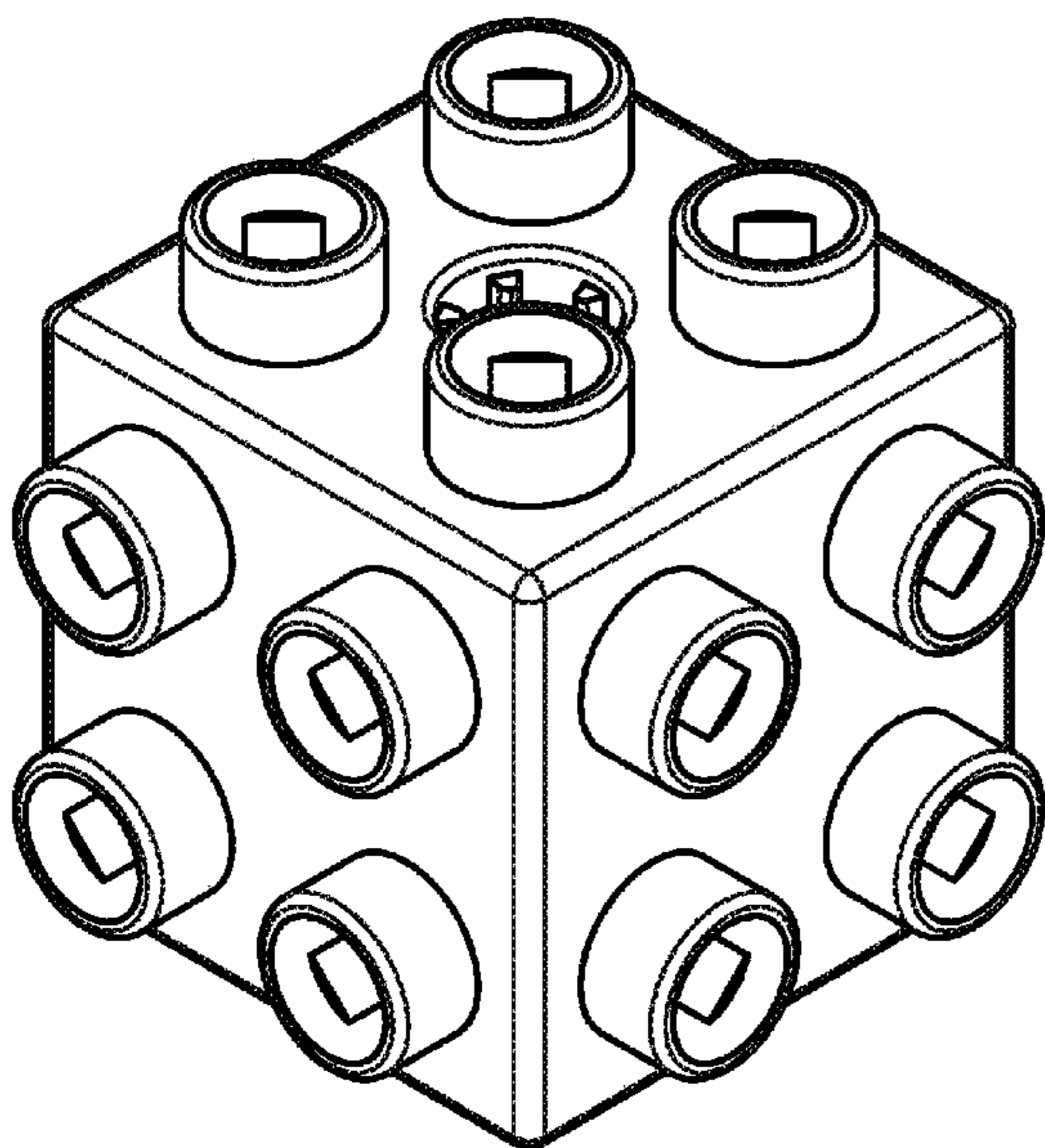
(57) **CLAIM**

We claim the ornamental design for a 12 stud cube with hole,
as shown and described.

DESCRIPTION

FIG. 1 is a top front perspective of a 12 stud cube with hole;
FIG. 2 is a top front perspective thereof turned 90 degrees;
FIG. 3 is a bottom perspective view thereof;
FIG. 4 is a bottom perspective view thereof turned 90
degrees;
FIG. 5 is a top plan view thereof;
FIG. 6 is a bottom view thereof;
FIG. 7 is side elevational view thereof;
FIG. 8 is a side elevational view thereof turned 90 degrees;
FIG. 9 is a side elevational view thereof turned 180 degrees;
and,
FIG. 10 is a side elevational view thereof turned 90 degrees.

1 Claim, 7 Drawing Sheets



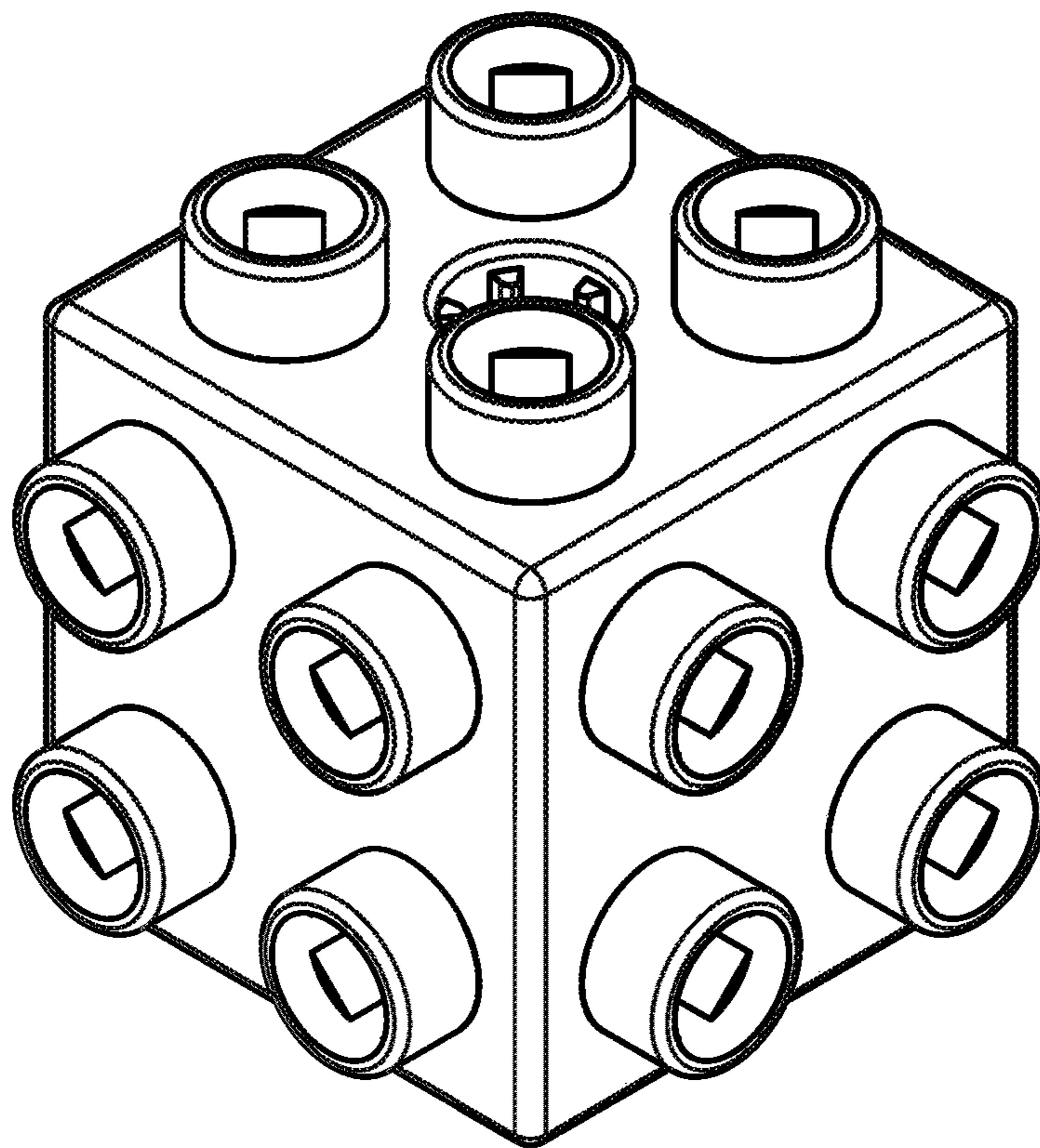


FIG. 1

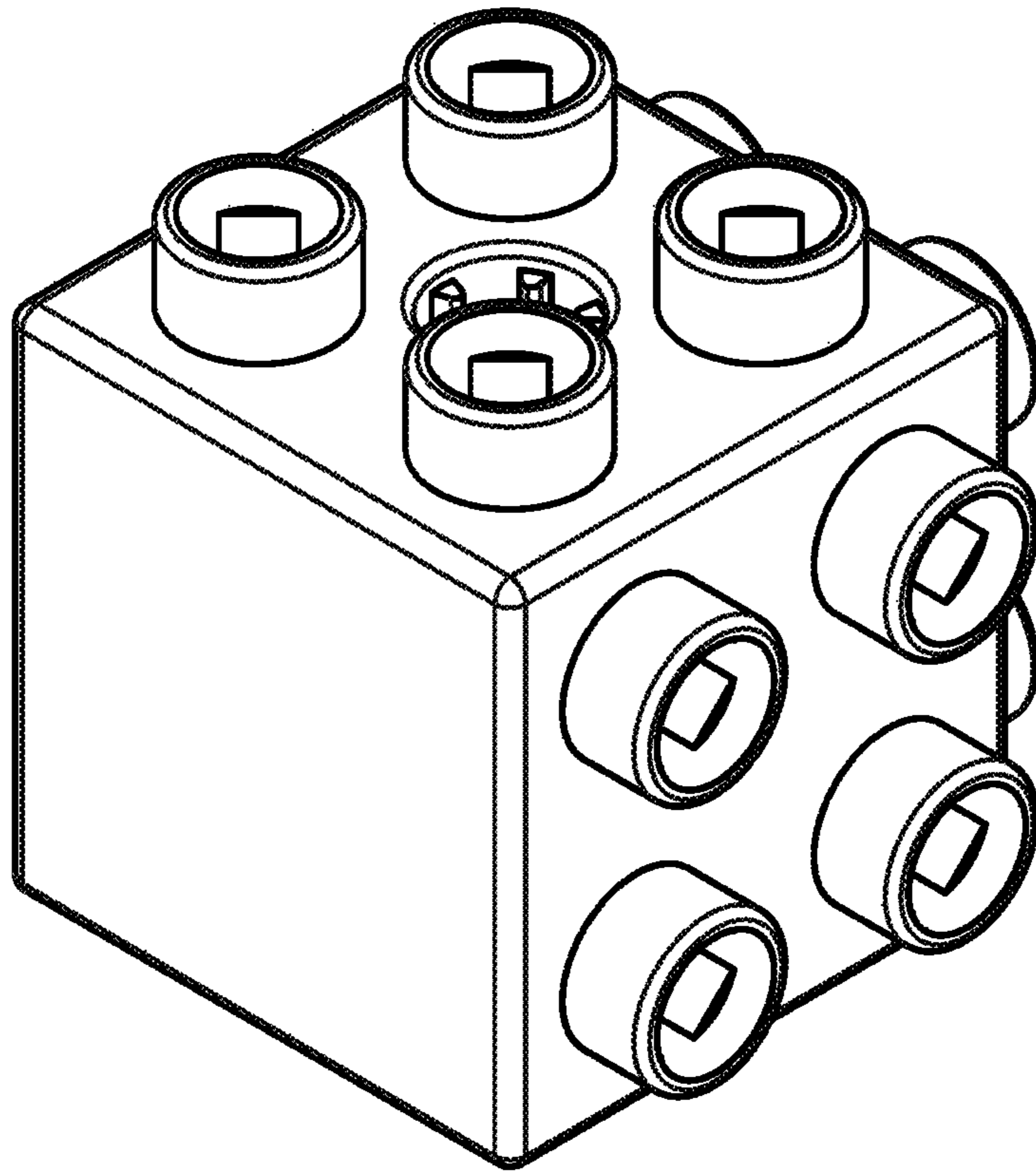


FIG. 2

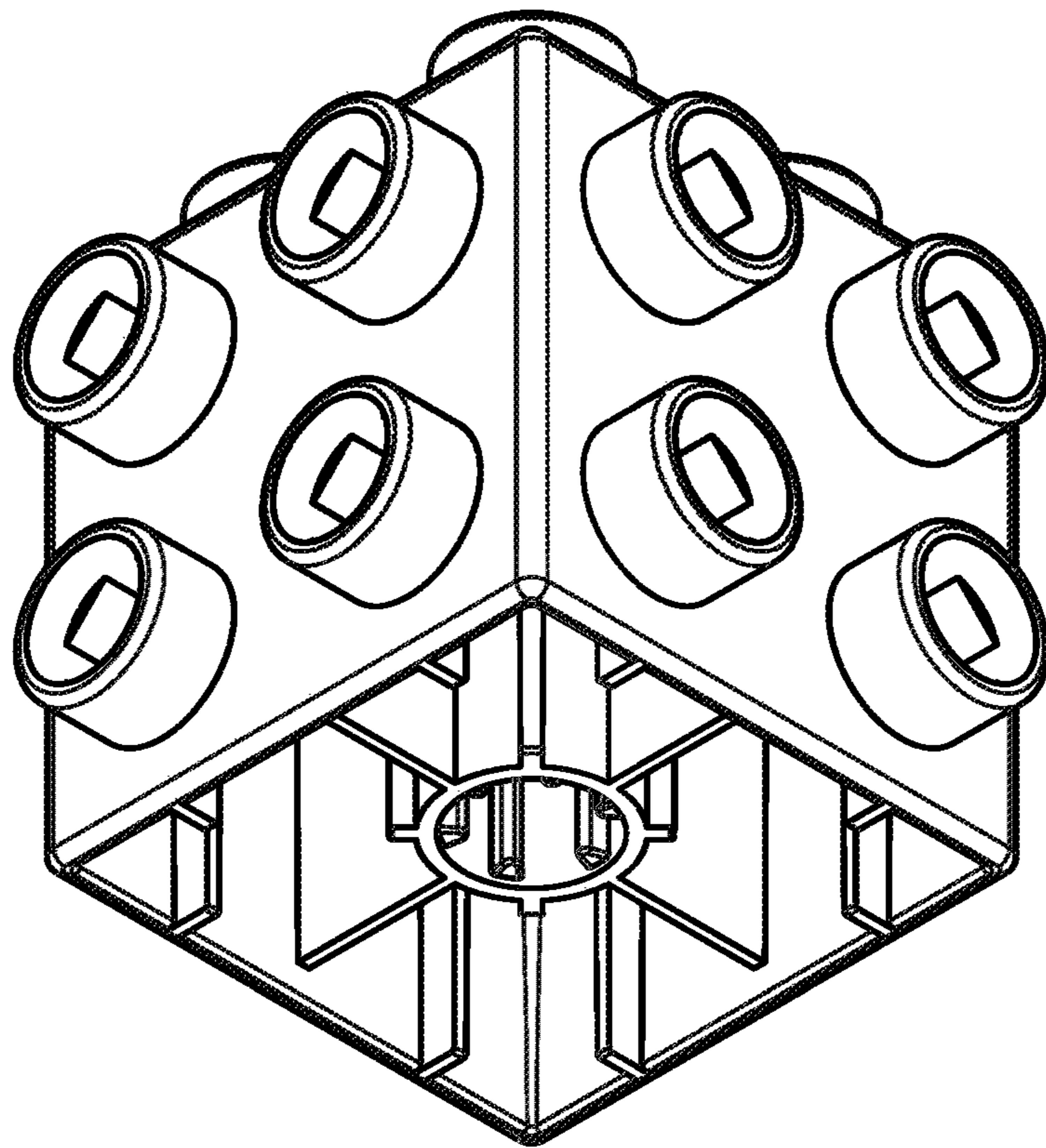


FIG. 3

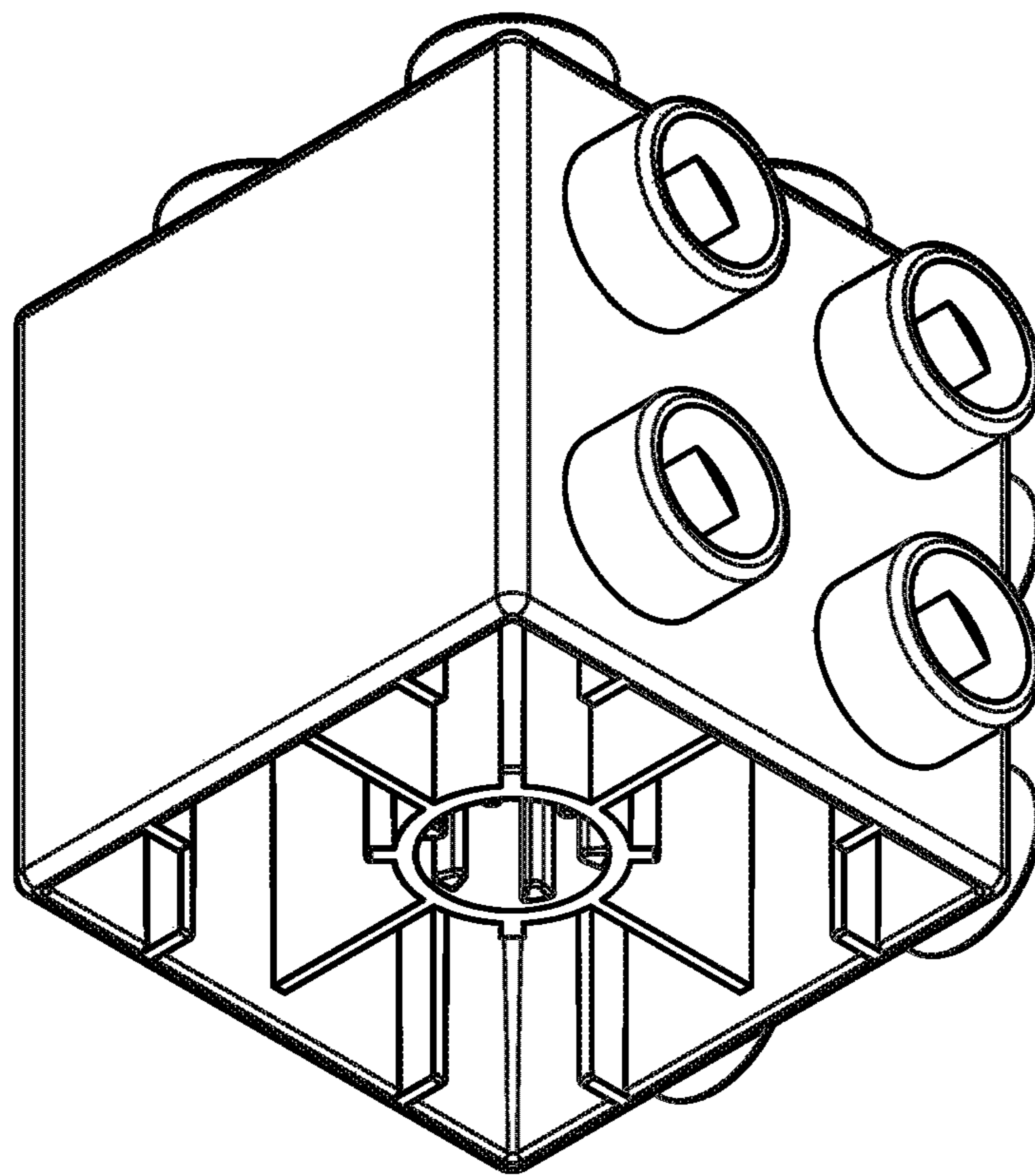


FIG. 4

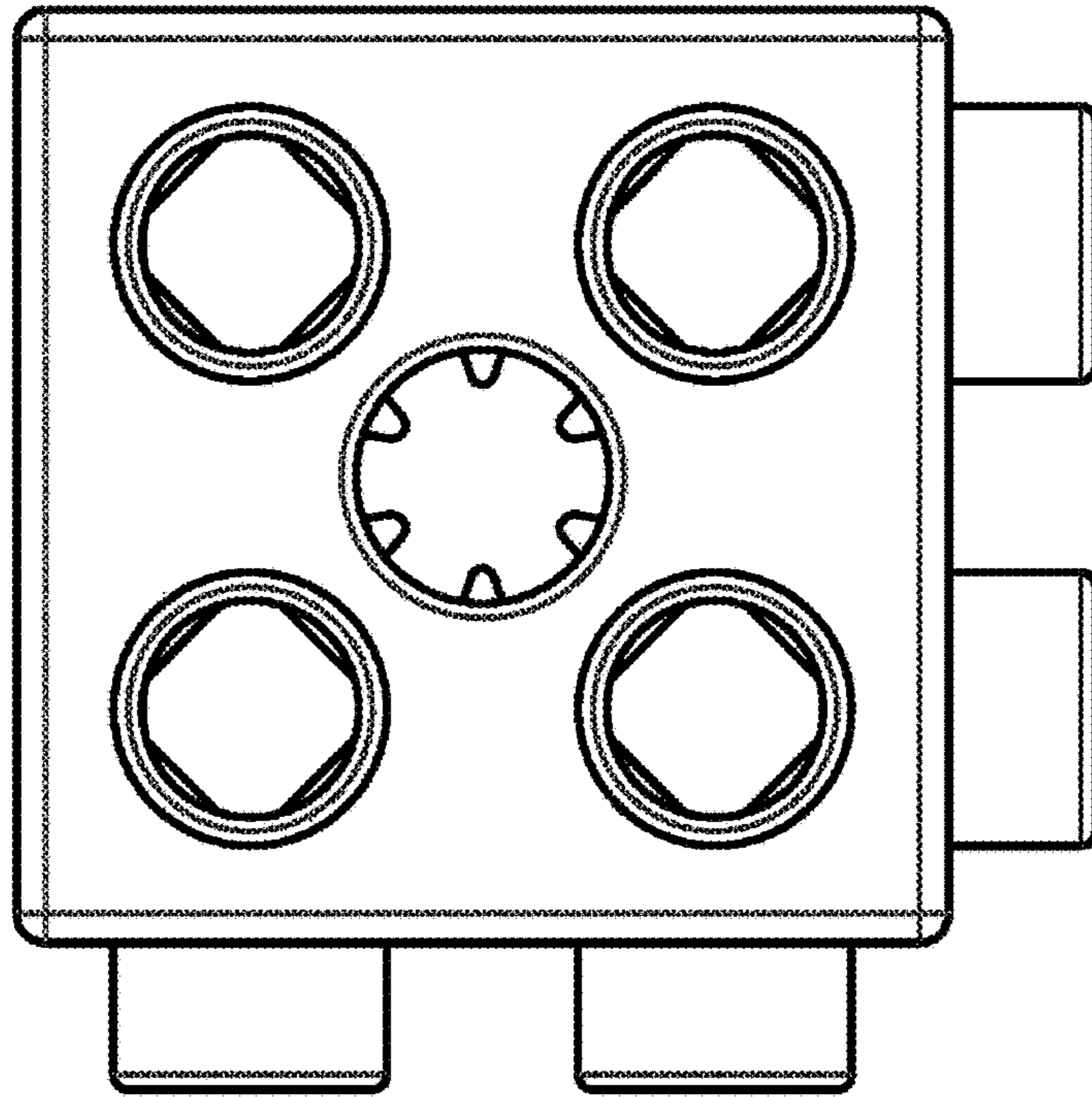


FIG. 5

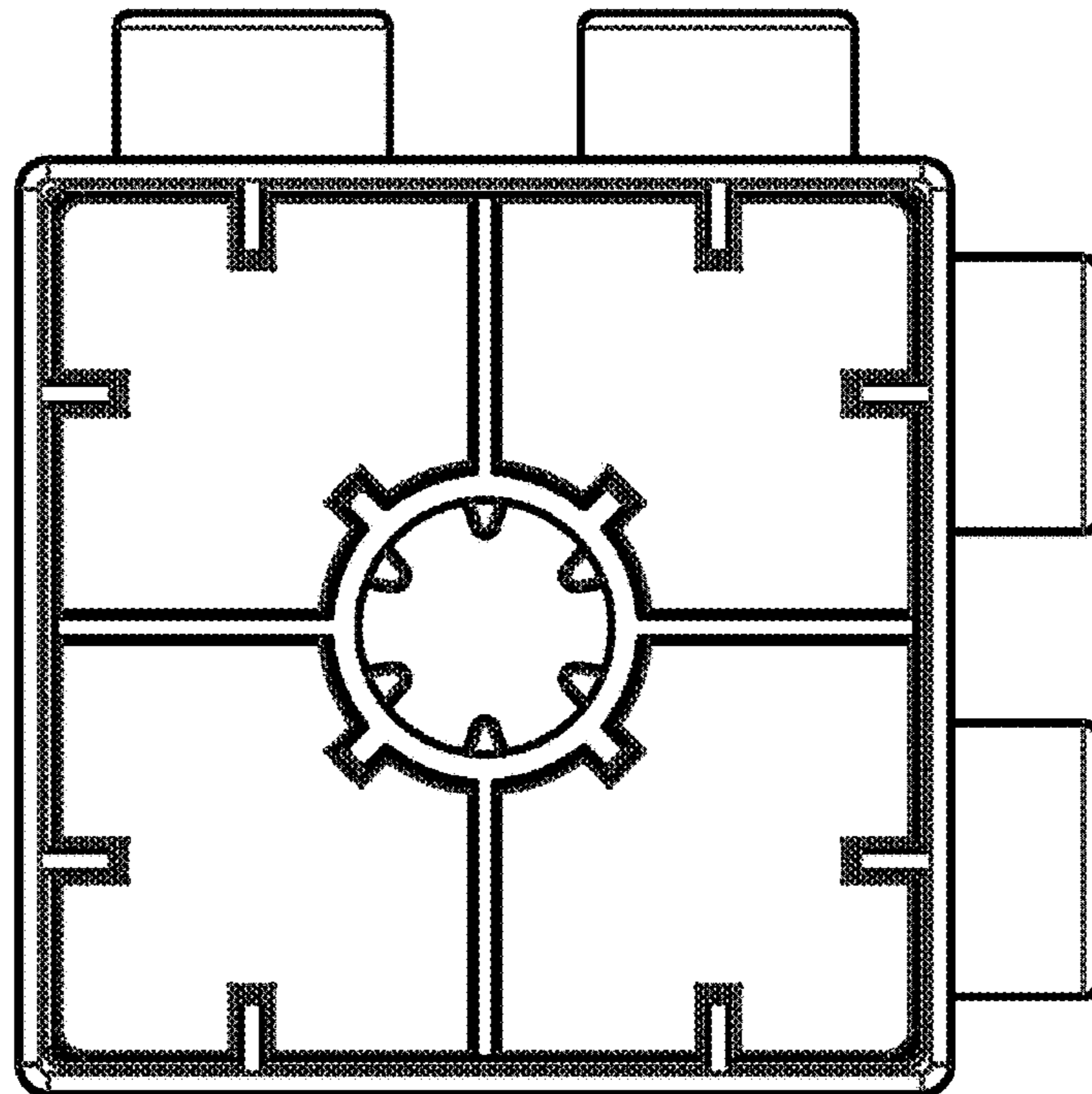


FIG. 6

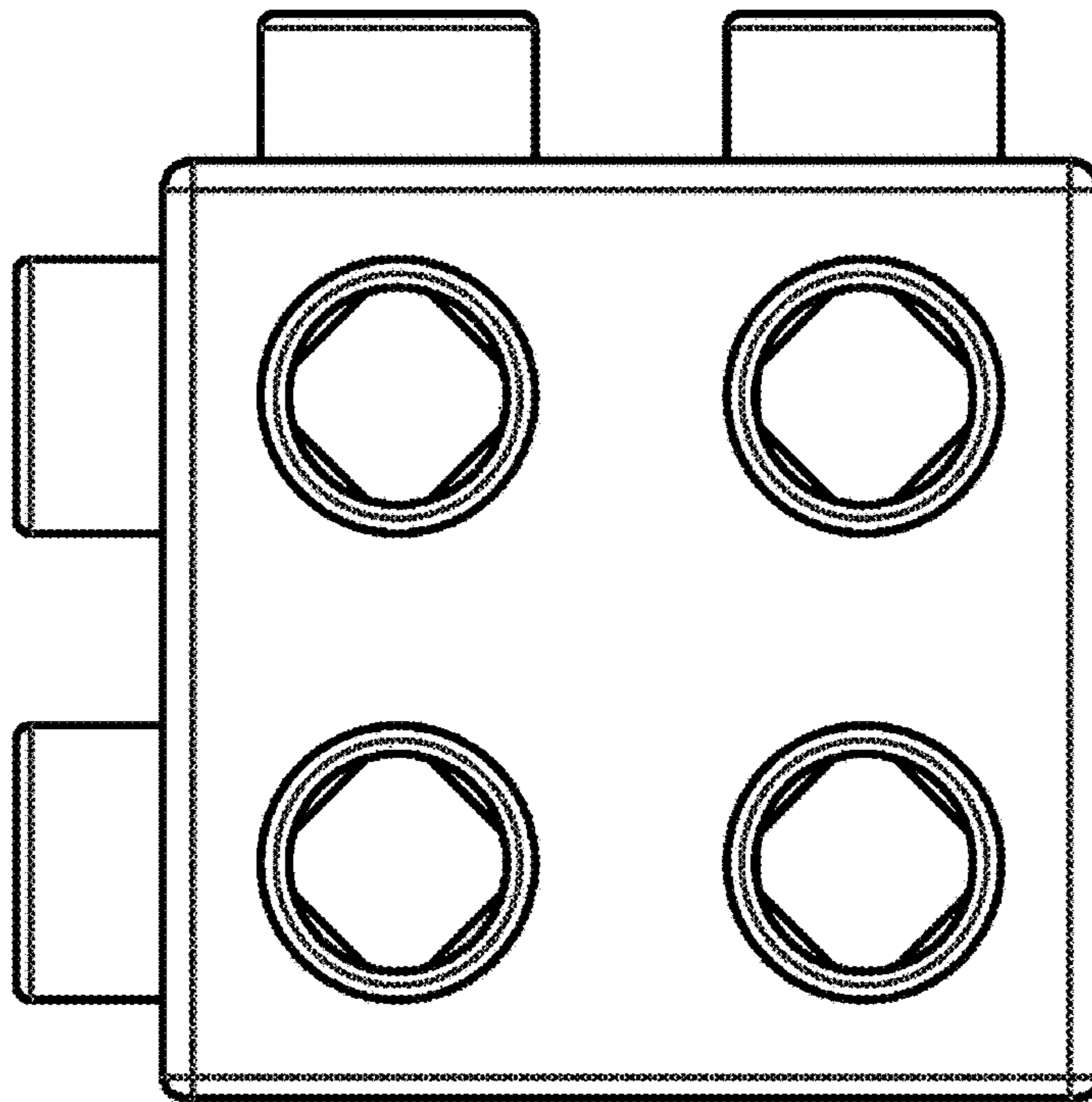


FIG. 7

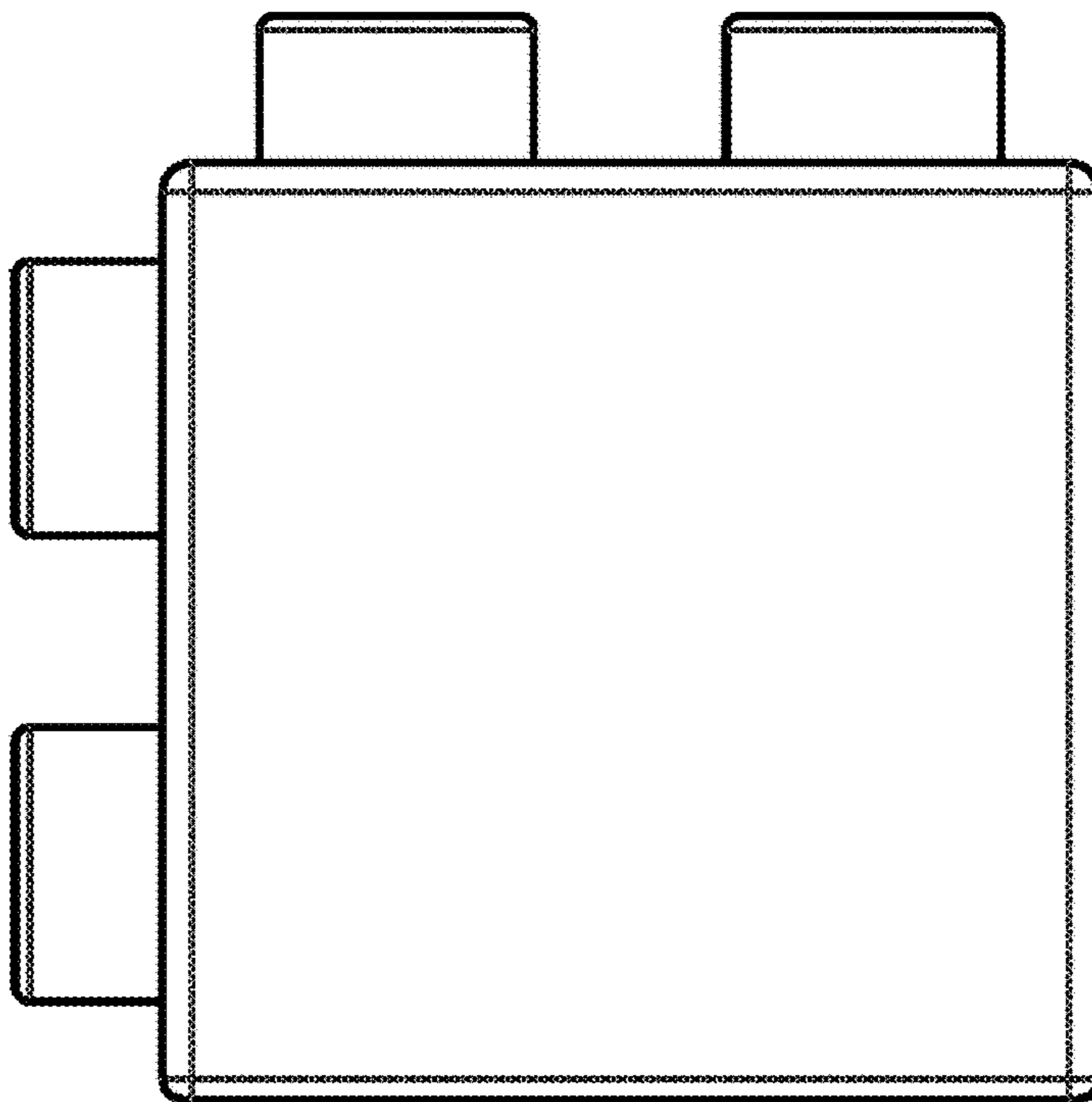


FIG. 8

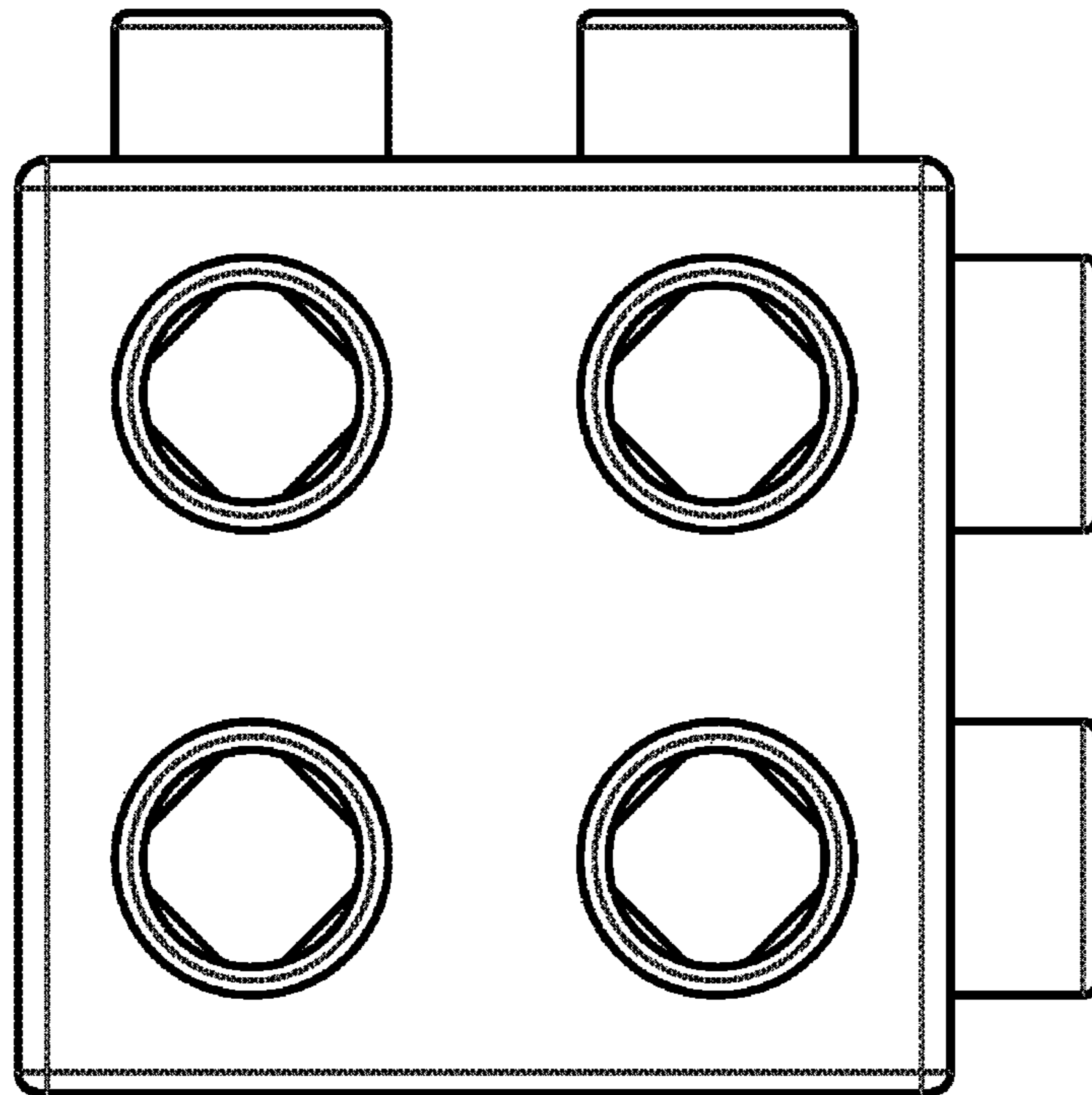


FIG. 9

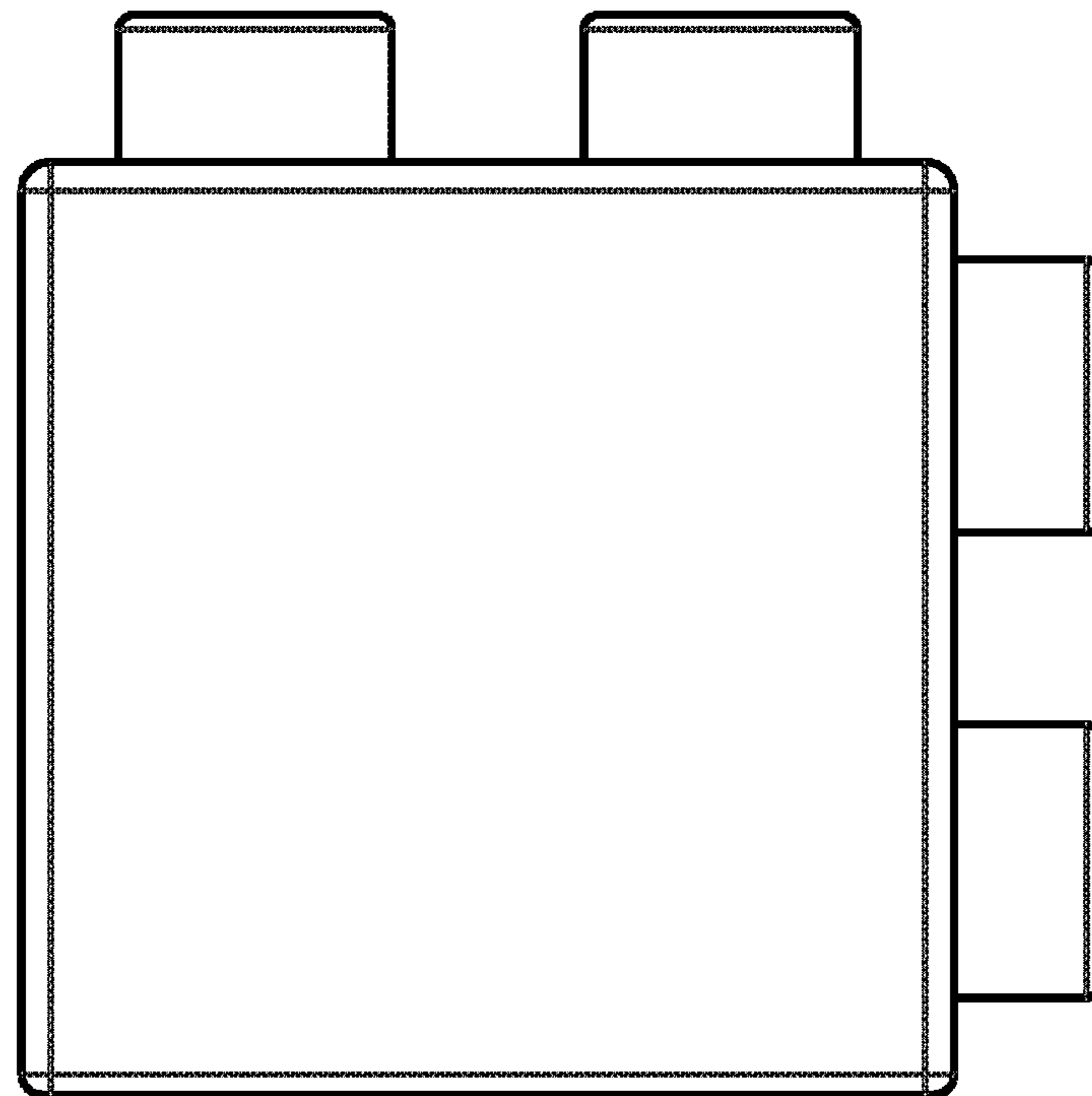


FIG. 10