



US00D806179S

(12) **United States Design Patent**  
**Simonds et al.**

(10) **Patent No.:** **US D806,179 S**

(45) **Date of Patent:** **\*\* Dec. 26, 2017**

(54) **REVERSE CUBE**

(71) Applicant: **Chiswick Innovations Limited**,  
London (GB)

(72) Inventors: **Colin Duncan Simonds**, London (GB);  
**James Campbell Duncan Simonds**,  
London (GB)

(73) Assignee: **CHISWICK INNOVATIONS**  
**LIMITED**, London (GB)

(\*\*) Term: **15 Years**

(21) Appl. No.: **29/581,132**

(22) Filed: **Oct. 17, 2016**

(30) **Foreign Application Priority Data**

Apr. 18, 2016 (EP) ..... 003074061

(51) **LOC (10) Cl.** ..... **21-01**

(52) **U.S. Cl.**  
USPC ..... **D21/499**

(58) **Field of Classification Search**  
USPC ..... D21/333, 373, 386, 389, 404, 468, 470,  
D21/471, 475, 484-505; D3/304, 314;  
D24/101; D9/640  
CPC ..... A63H 33/04; A63H 33/06; A63H 33/062;  
A63H 33/08; A63H 33/088; A63F 9/12;  
A63F 9/1224

See application file for complete search history.

(56) **References Cited**

U.S. PATENT DOCUMENTS

D231,787 S *	6/1974	Burnley	119/265
4,306,373 A *	12/1981	Chatani	A63H 33/08 446/121
D283,635 S *	4/1986	Kato	D21/499
D336,666 S *	6/1993	Knudsen	D21/501
D350,784 S *	9/1994	Nielsen	D21/499
D403,028 S *	12/1998	Barton, Jr.	D21/486
D580,995 S *	11/2008	Chun	D21/499
D616,044 S *	5/2010	Tervo	D21/499
D616,045 S *	5/2010	Tervo	D21/499
D740,893 S *	10/2015	Simonds	D21/499

\* cited by examiner

*Primary Examiner* — Cynthia M Chin

(74) *Attorney, Agent, or Firm* — Jacobson Holman,  
PLLC.

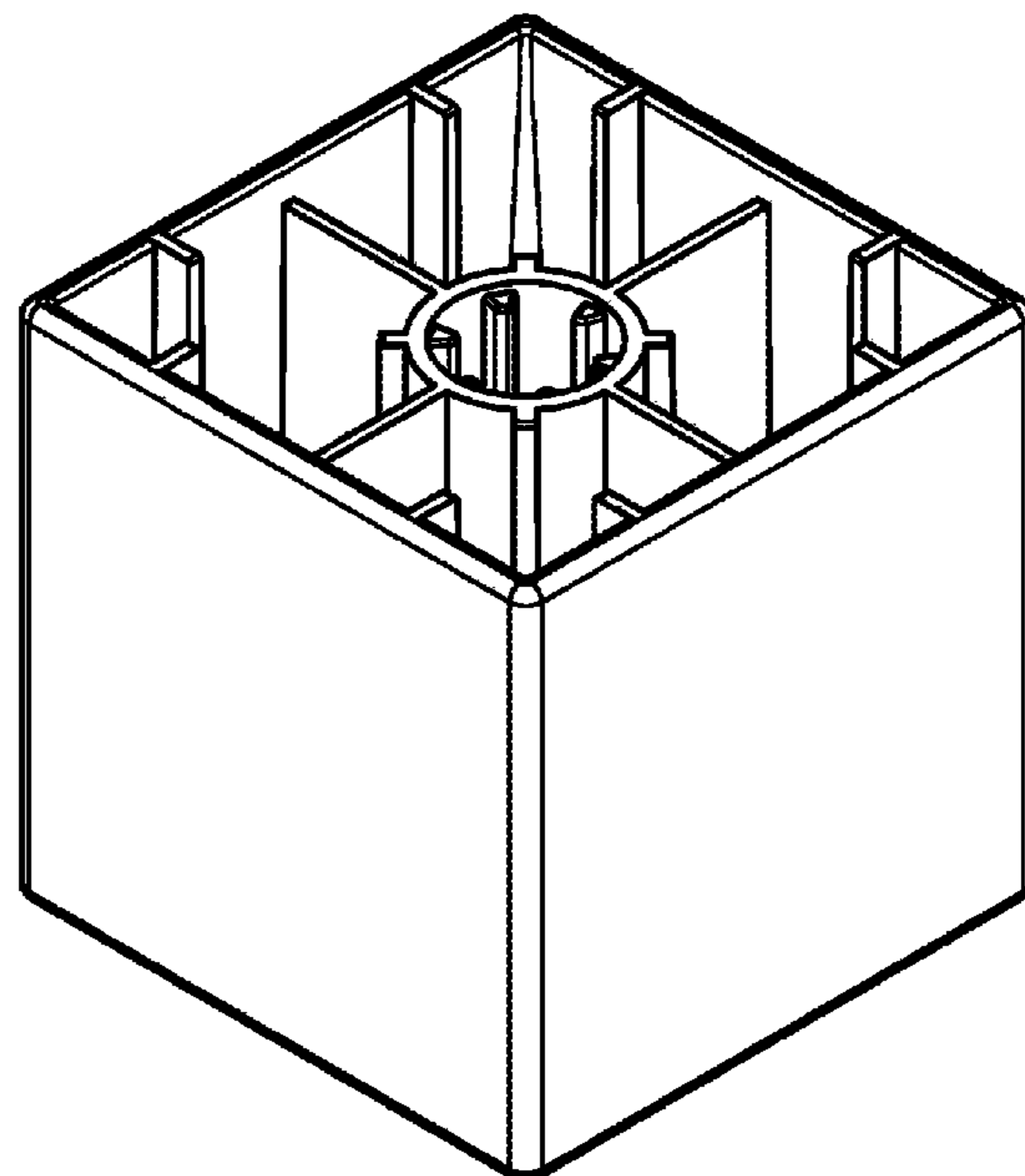
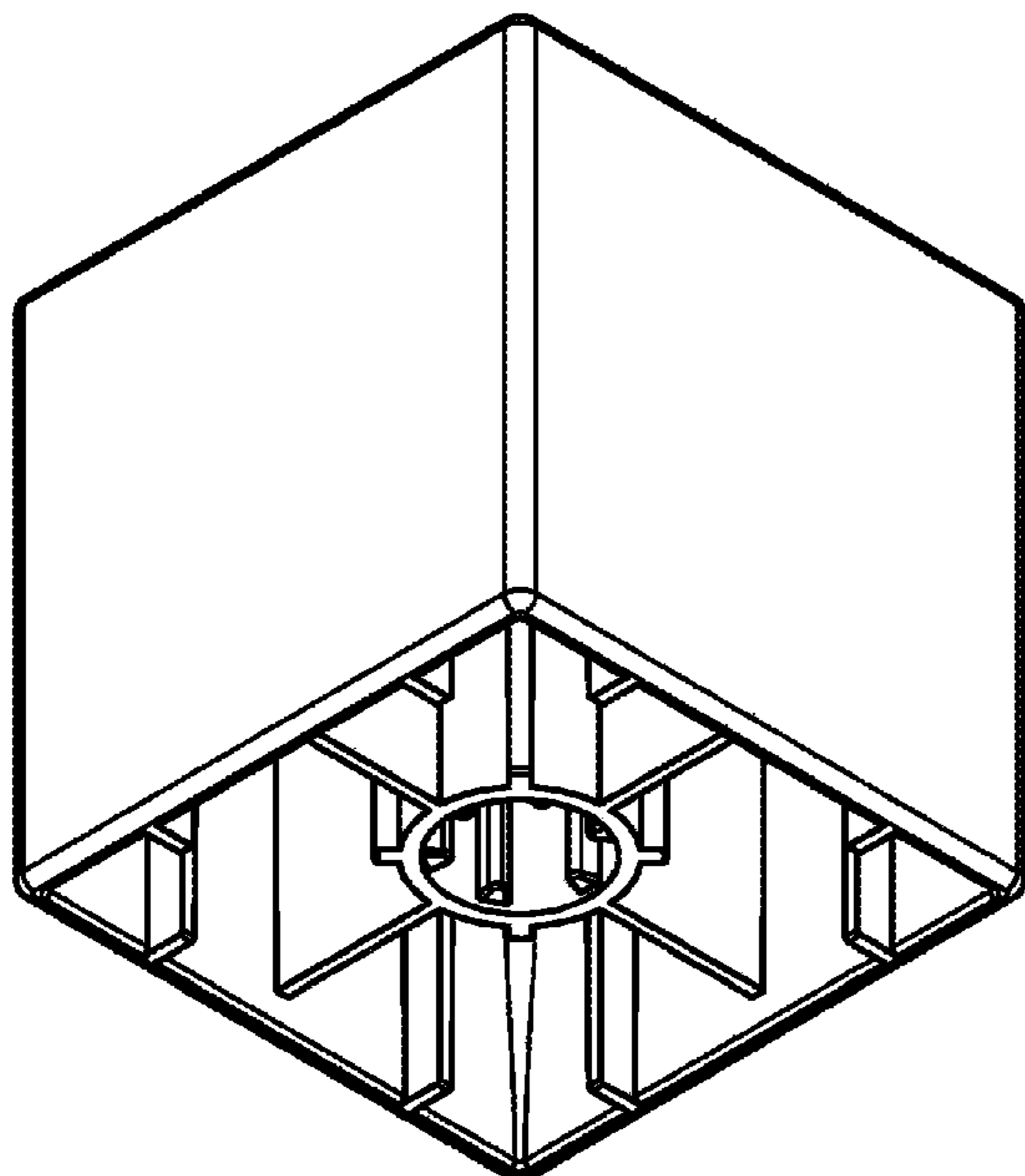
(57) **CLAIM**

We claim the ornamental design for a reverse cube, as shown and described.

**DESCRIPTION**

FIG. 1 is a bottom perspective view of a reverse cube; FIG. 2 is a top perspective view thereof; FIG. 3 is a top plan view thereof; FIG. 4 is a bottom view thereof; and, FIG. 5 is a vertical side elevational view thereof, the other 3 side elevational views being the same.

**1 Claim, 4 Drawing Sheets**



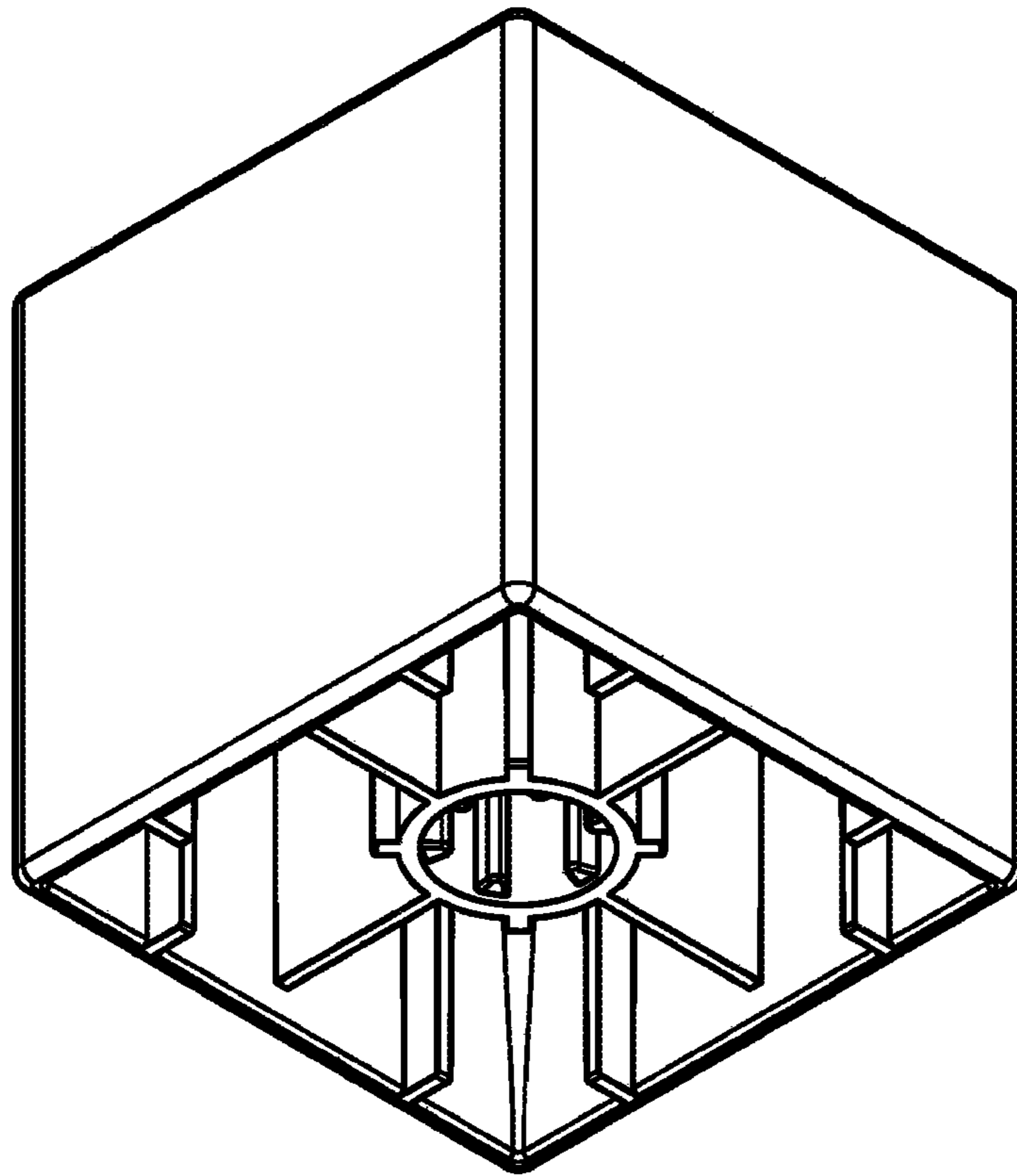


FIG. 1

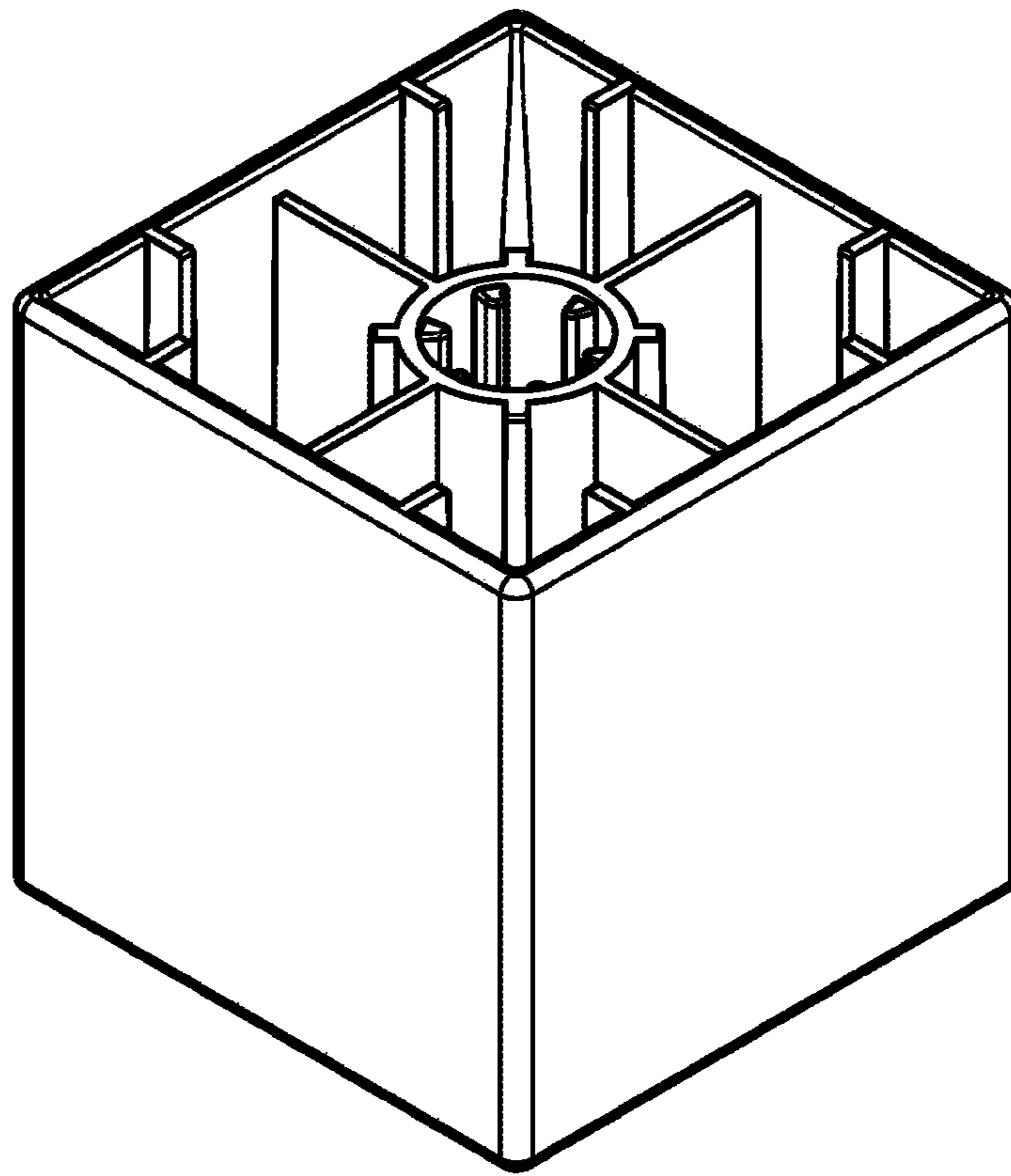


FIG. 2

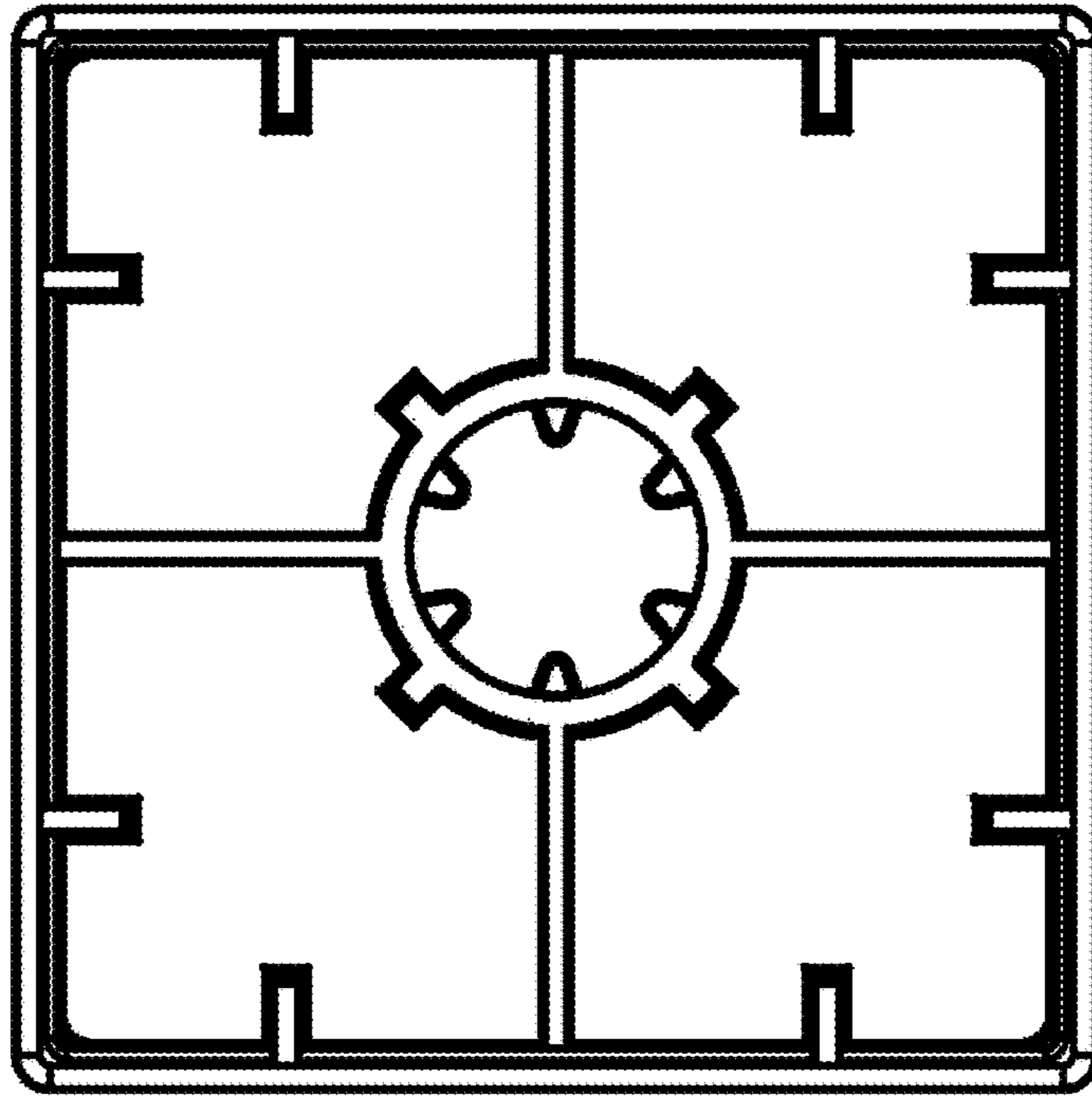


FIG. 3

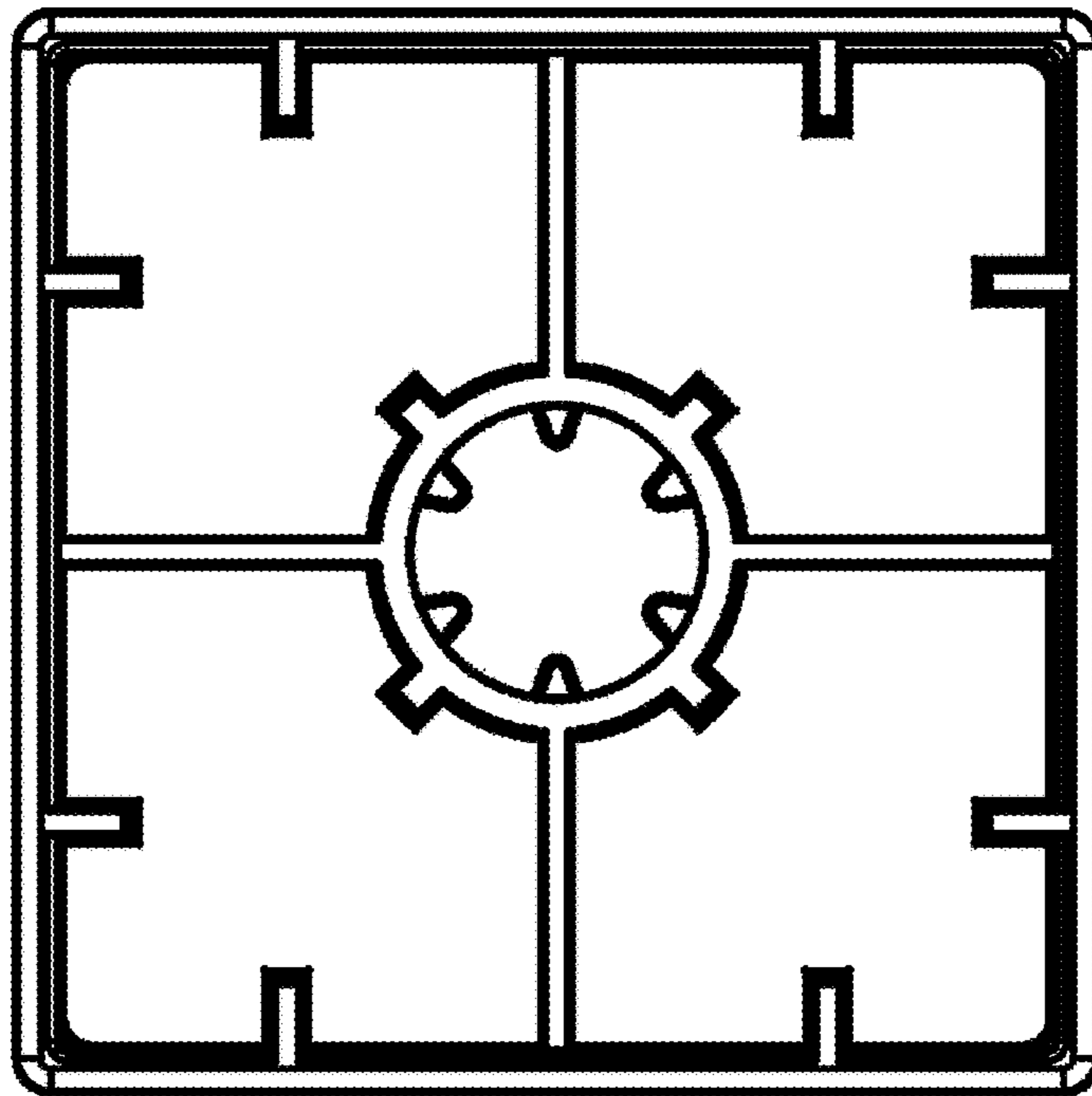


FIG. 4

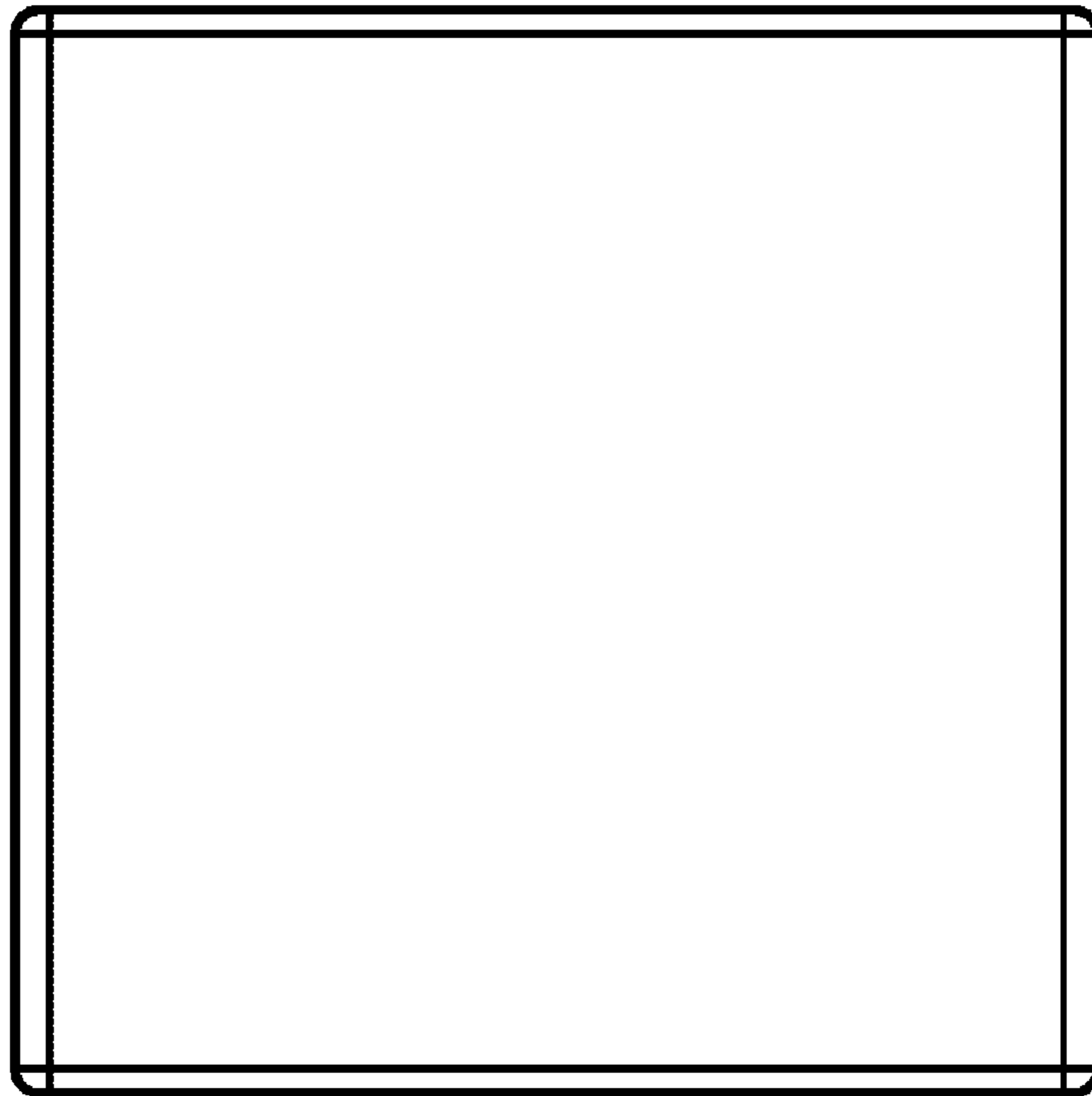


FIG. 5