



US00D806178S

(12) **United States Design Patent** (10) **Patent No.:** **US D806,178 S**
Chow (45) **Date of Patent:** **** Dec. 26, 2017**

(54) **DESK TOY**

(71) Applicant: **Daka International Limited.**, Kowloon (HK)

(72) Inventor: **Whitney Alexandra Chow**, Kowloon (HK)

(73) Assignee: **Daka International Limited**, Kowloon (HK)

(**) Term: **15 Years**

(21) Appl. No.: **29/587,630**

(22) Filed: **Dec. 14, 2016**

(51) **LOC (10) Cl.** **21-01**

(52) **U.S. Cl.**
USPC **D21/475; D21/398; D21/460**

(58) **Field of Classification Search**

USPC D21/300, 324, 333, 385, 398, 405, 455, D21/468, 471, 475, 476, 504, 566, 662, D21/684, 707, 811, 460-464; D13/158, D13/162, 162.1, 168, 169-176, 184, 199; D24/188, 193, 200, 211, 214, 215; D3/208; D19/123, 136, 189, 202, 59, 60, D19/95; D14/358, 388, 389, 390, 400, D14/401, 412, 415, 416, 417, 545-457; 446/71, 81, 397, 486, 487, 489, 491, 446/236-266

CPC ... A63H 1/00-1/32; A63H 5/00; A63H 33/00; A63H 33/002; A63H 33/006; A63H 33/22; A63H 33/30; A63H 33/42; A63B 23/16; A63F 5/04; A63F 5/041; A63F 2009/0007; A63F 2009/0027; A63F 2009/0428; A63F 2009/2438; A63F 9/06; A63F 9/0602; A63F 2250/025; A63F 2250/027; A63F 2250/18; A63F 2250/186; A63F 2250/48; A63F 2250/483; A63F 2250/489

See application file for complete search history.

(56) **References Cited**

U.S. PATENT DOCUMENTS

459,832 A * 9/1891 Byram A63F 9/16
273/147
3,225,460 A * 12/1965 Randell A63F 9/24
273/460
D221,962 S * 9/1971 Vennola D21/468
3,699,236 A * 10/1972 Kodaira H02G 3/14
174/66

(Continued)

FOREIGN PATENT DOCUMENTS

CN 303565547 * 1/2016
DE 29819272 U1 * 3/2000 A63F 9/0415

(Continued)

Primary Examiner — Catherine A Tuttle

(74) *Attorney, Agent, or Firm* — Maier & Maier, PLLC

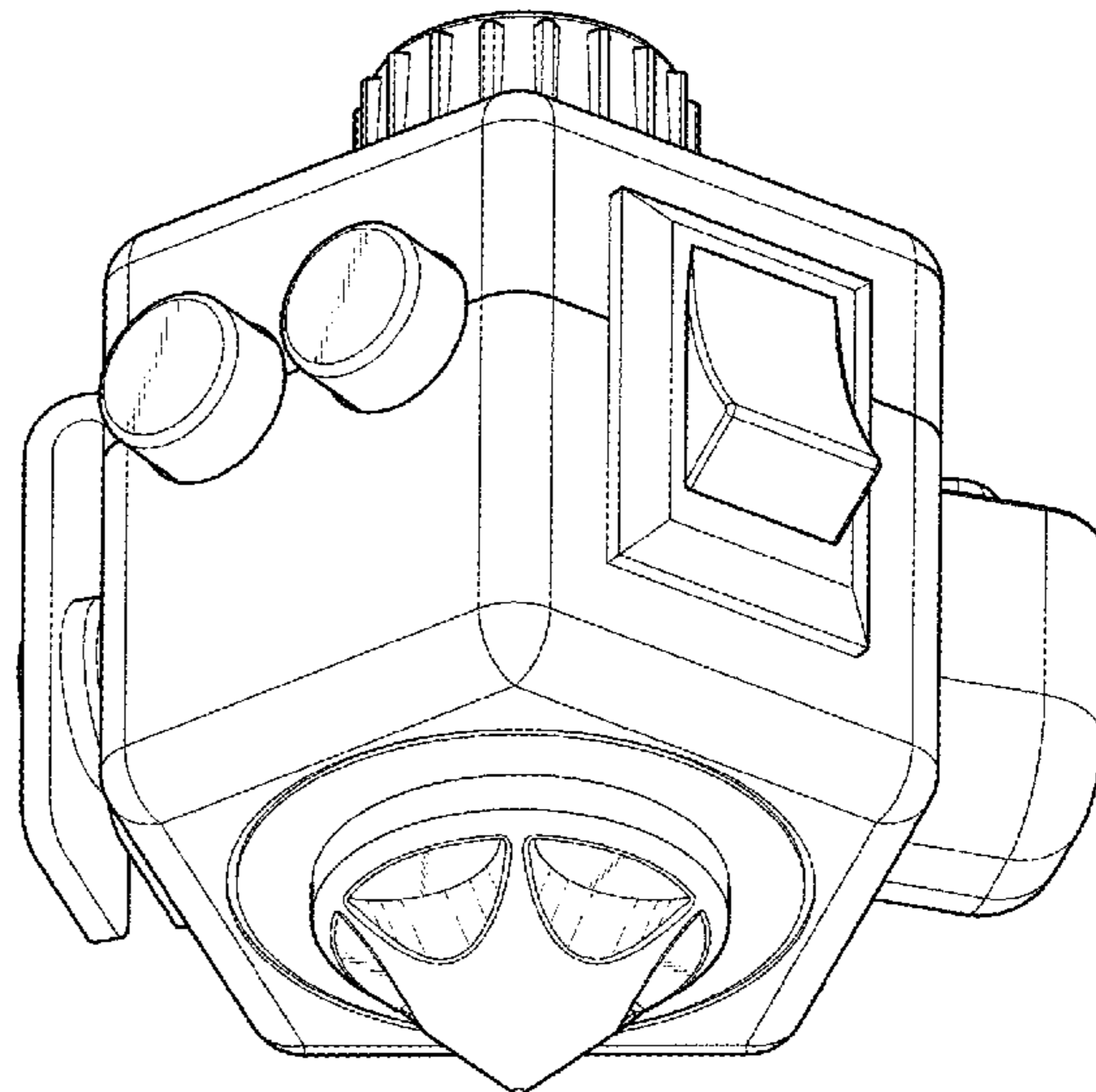
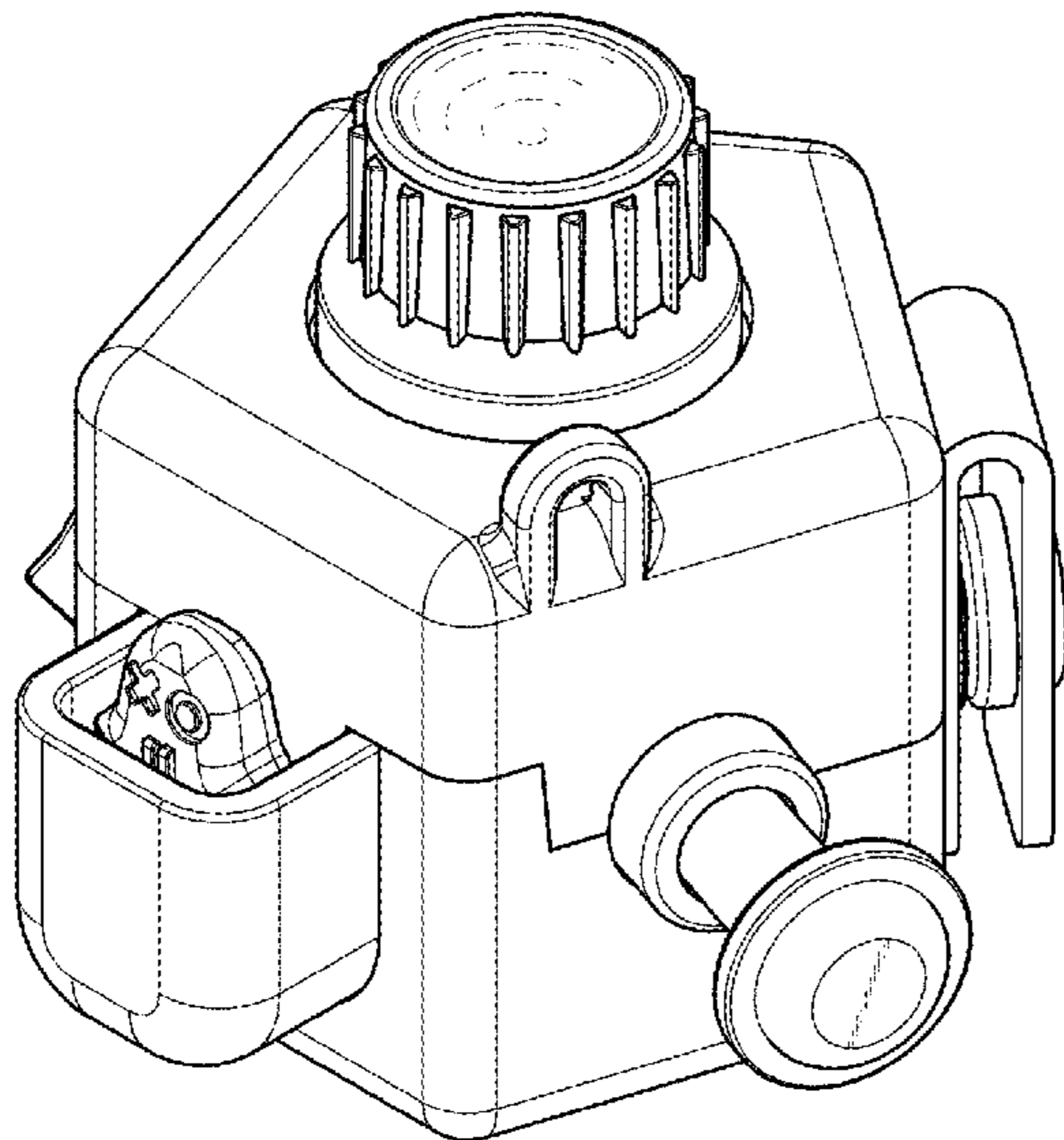
(57) **CLAIM**

The ornamental design for a desk toy, as shown and described.

DESCRIPTION

FIG. 1 is a top-front-left isometric view of a desk toy, showing my design;
 FIG. 2 is a front elevational view thereof;
 FIG. 3 is a left side elevational view thereof;
 FIG. 4 is a rear elevational view thereof;
 FIG. 5 is a right side elevational view thereof;
 FIG. 6 is a top plan view thereof;
 FIG. 7 is a bottom plan view thereof;
 FIG. 8 is a top-front-left perspective view thereof;
 FIG. 9 is a top-right-front perspective view thereof;
 FIG. 10 is a top-rear perspective view thereof;
 FIG. 11 is a bottom-left-rear view thereof;
 FIG. 12 is bottom-front-left perspective view thereof; and,
 FIG. 13 is a bottom-right perspective view thereof.

1 Claim, 10 Drawing Sheets



(56)

References Cited

U.S. PATENT DOCUMENTS

4,279,100 A * 7/1981 Rivette A63H 5/00
446/192
4,300,763 A * 11/1981 Barr A63F 9/183
273/430
D262,549 S * 1/1982 Clanton D21/475
D281,183 S * 10/1985 Kato D21/502
D287,005 S * 12/1986 Newton D13/162
D359,092 S * 6/1995 Brovelli D21/466
D399,890 S * 10/1998 Esterle D21/398
D421,278 S * 2/2000 Cleary D21/373
D719,619 S * 12/2014 Sawyer D21/373
2003/0119416 A1 * 6/2003 Esterle A63H 31/00
446/71
2004/0259466 A1 * 12/2004 Maxwell A63H 33/042
446/487
2015/0202544 A1 * 7/2015 Snee, Jr. A63H 33/00
434/236

FOREIGN PATENT DOCUMENTS

EM 003318252-0008 * 8/2016
KR 300763356.0000 * 10/2014

* cited by examiner

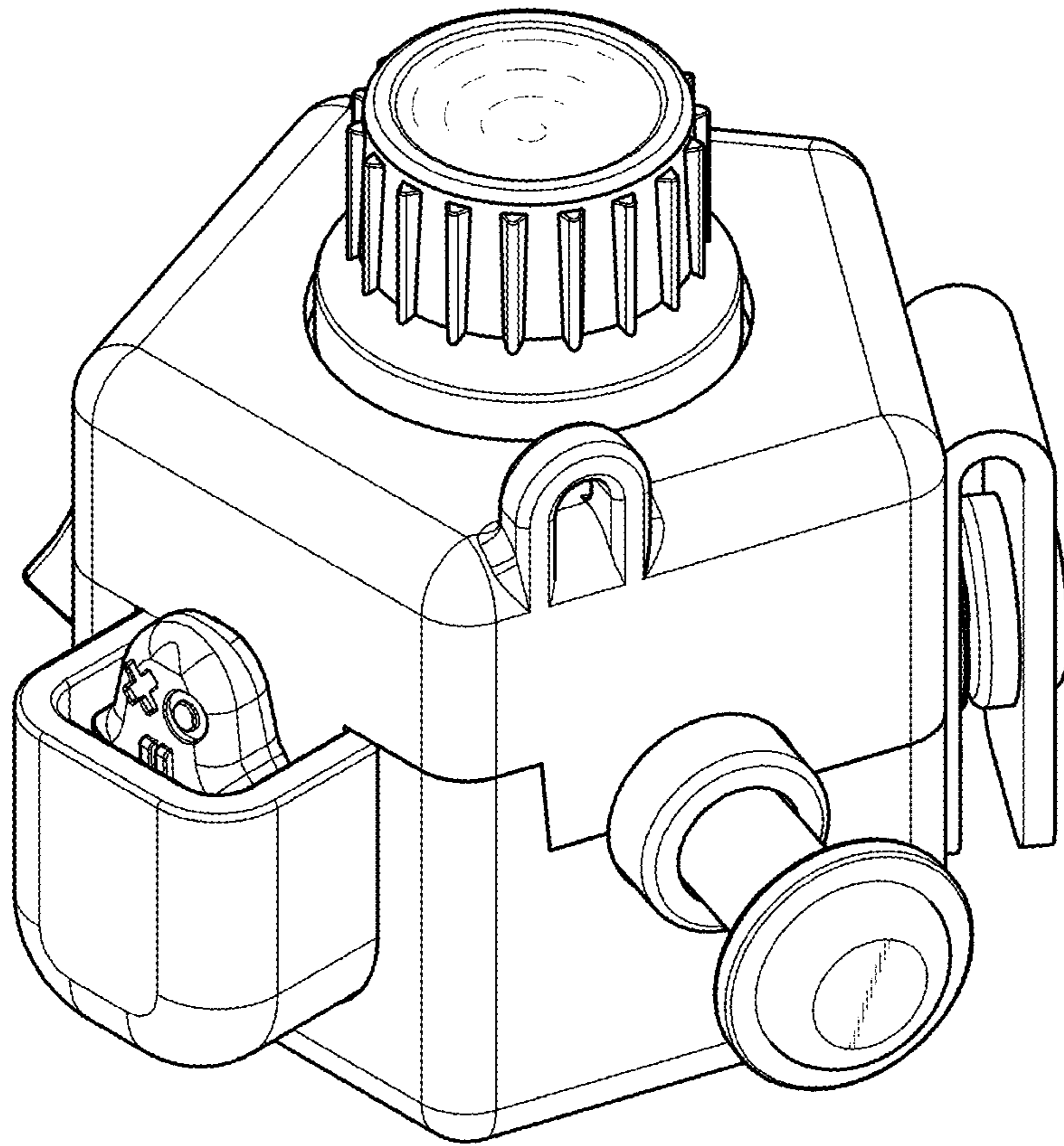


Fig. 1

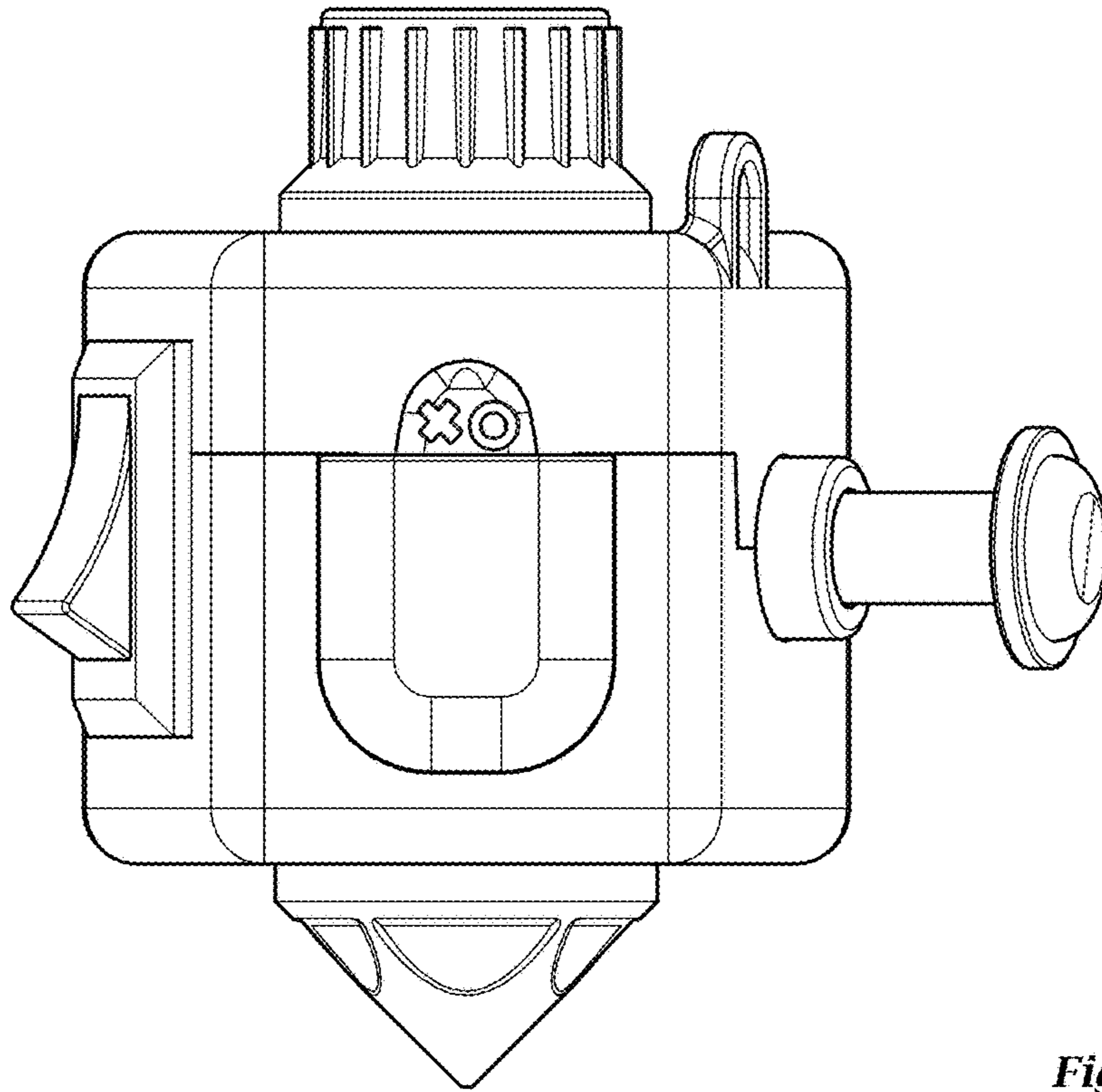


Fig. 2

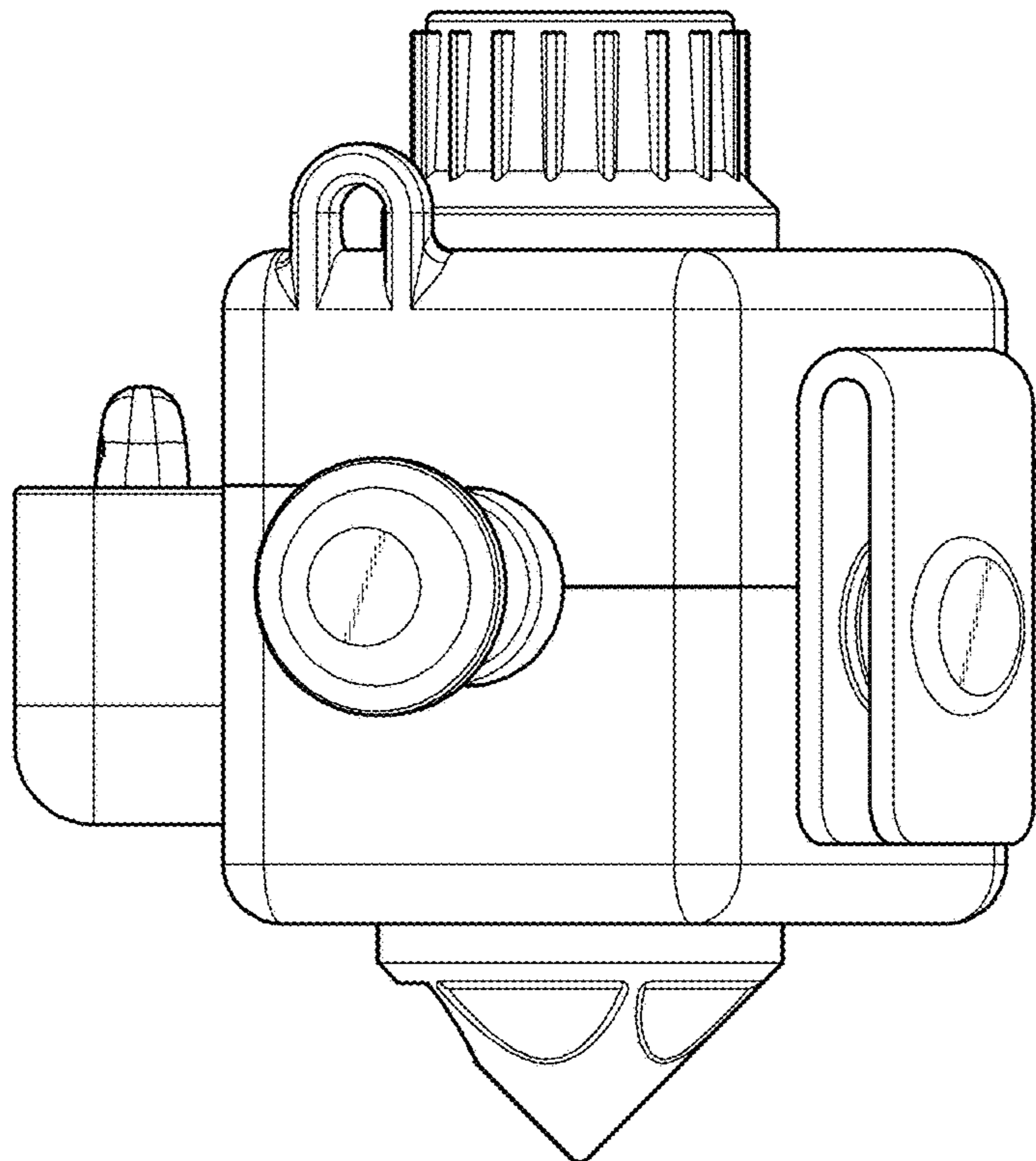


Fig. 3

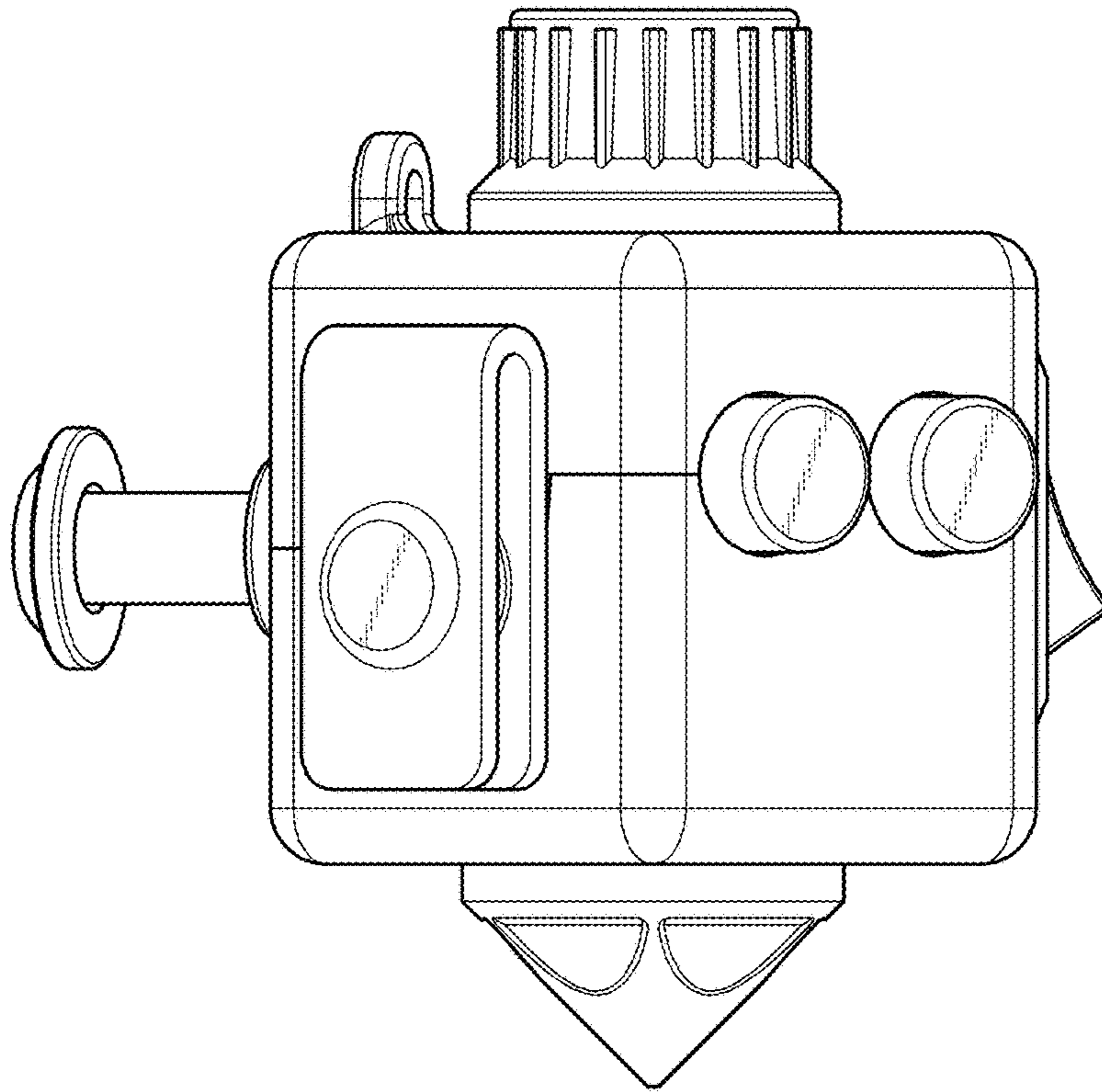


Fig. 4

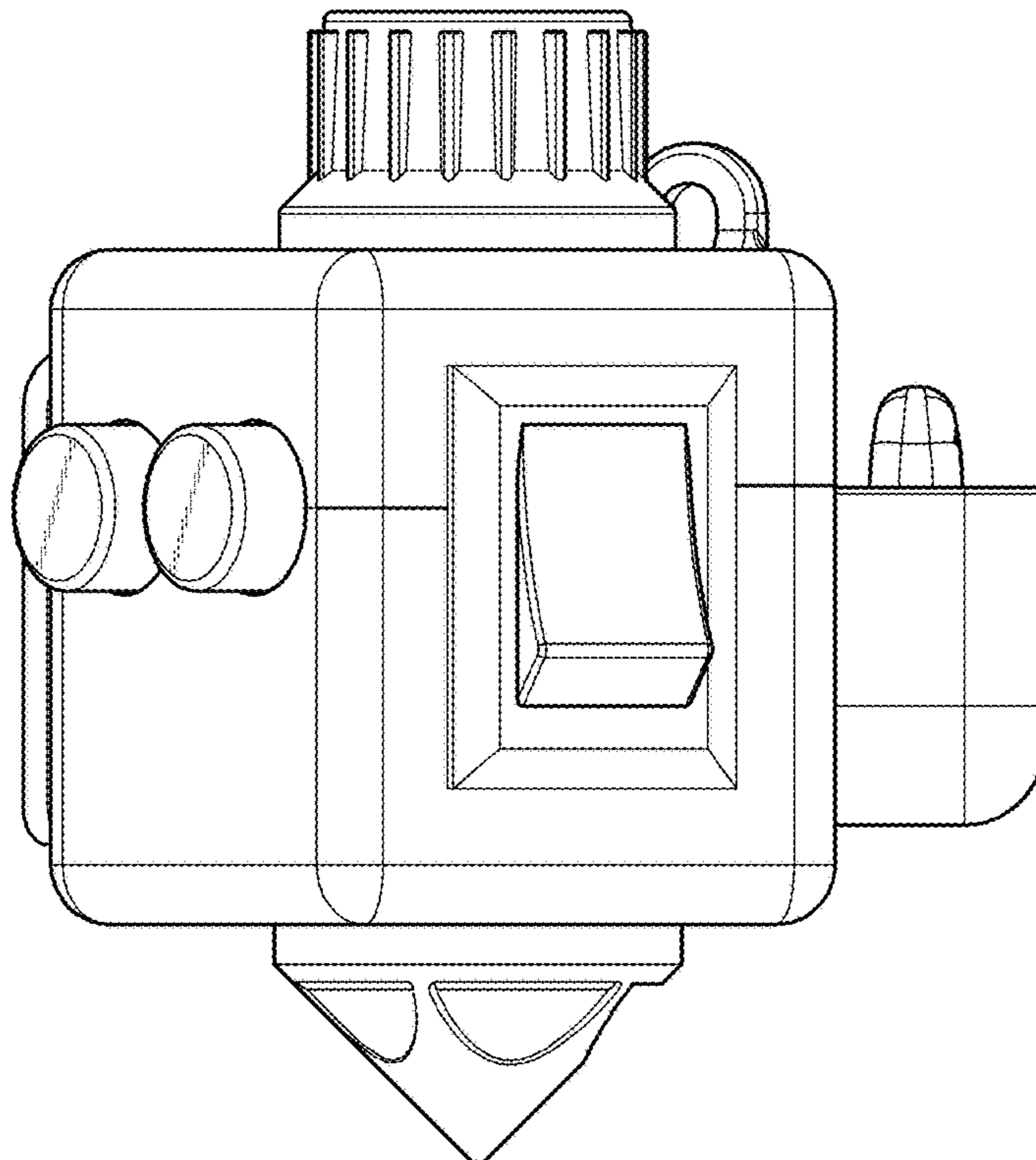


Fig. 5

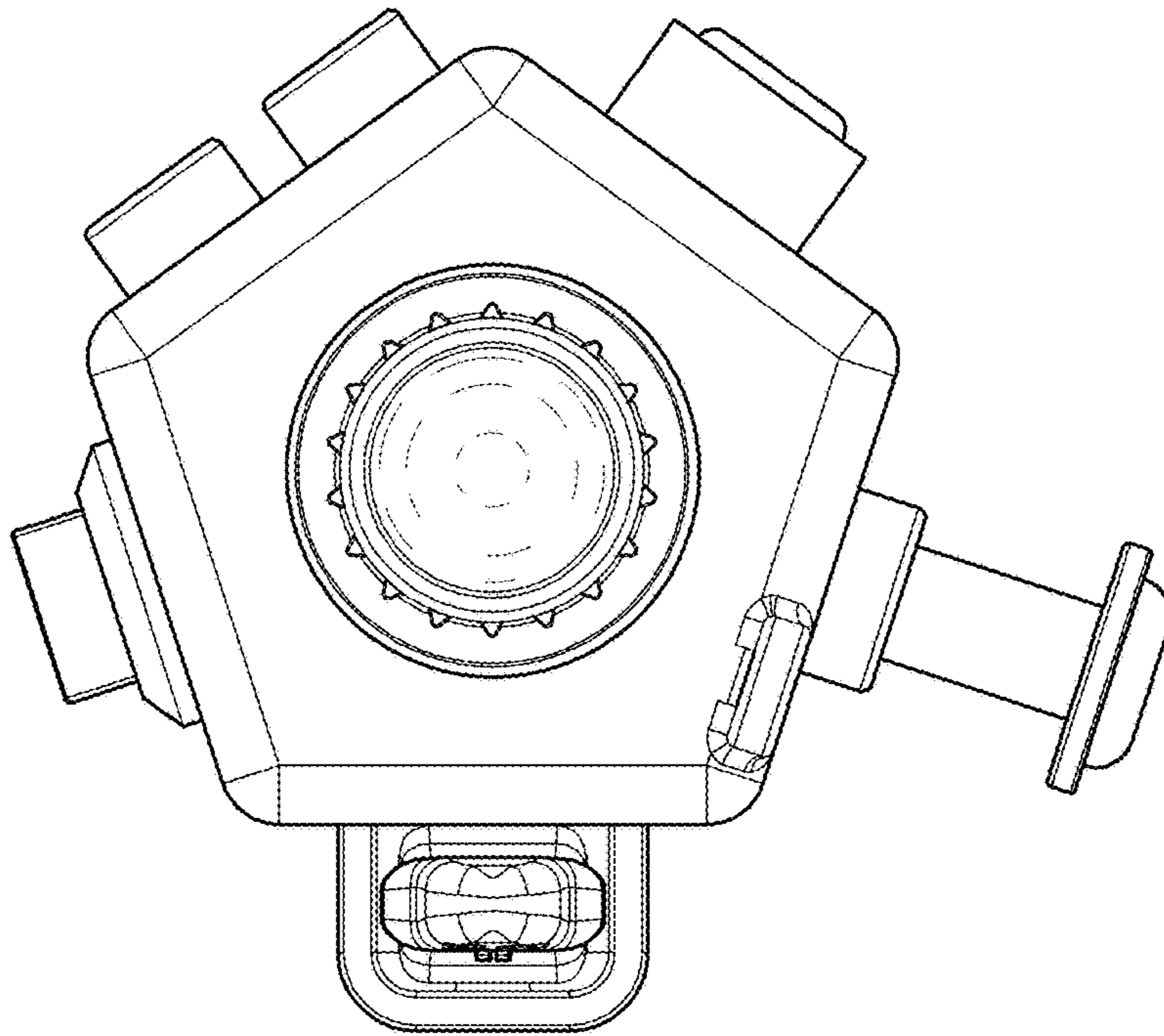


Fig. 6

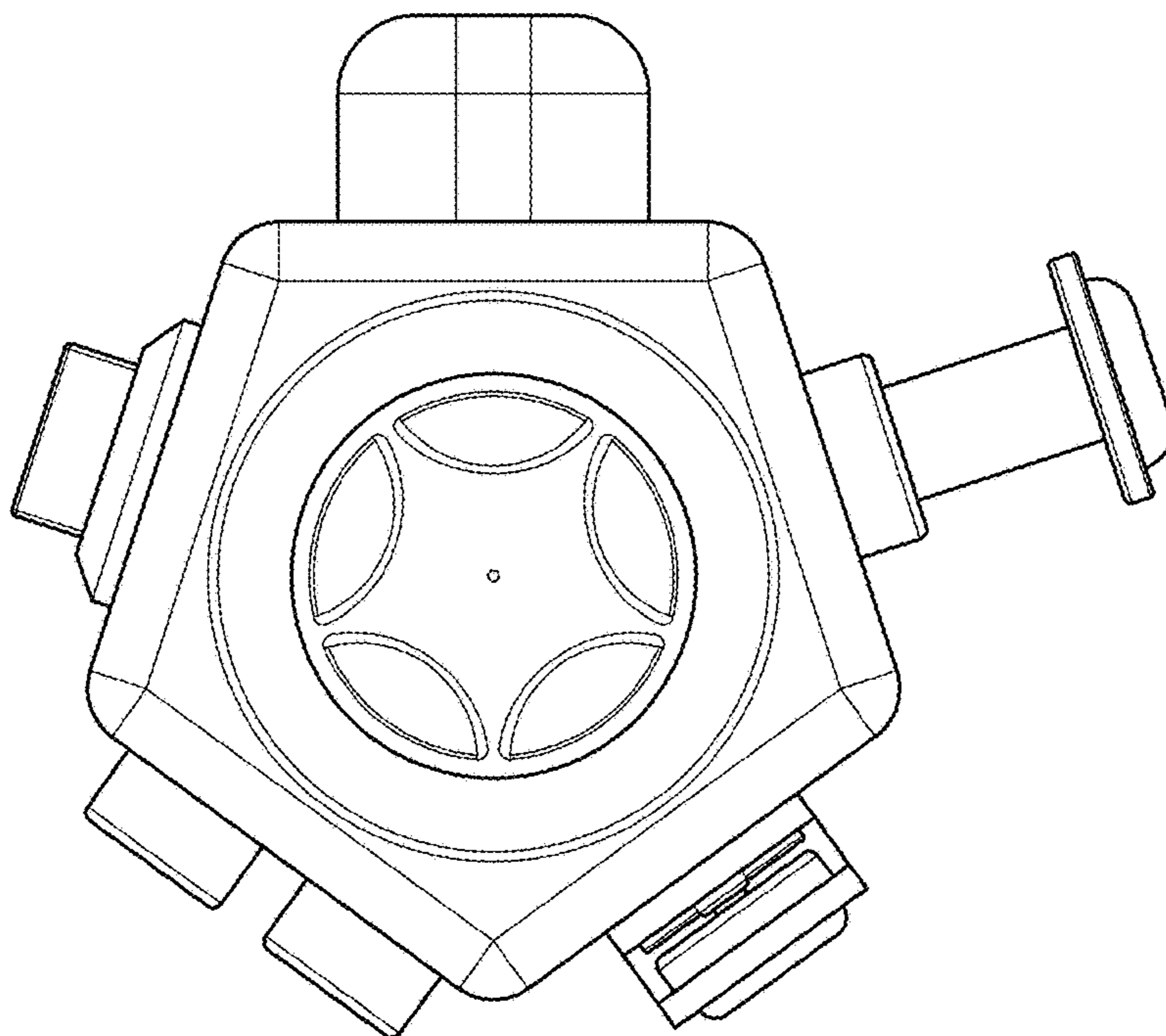


Fig. 7

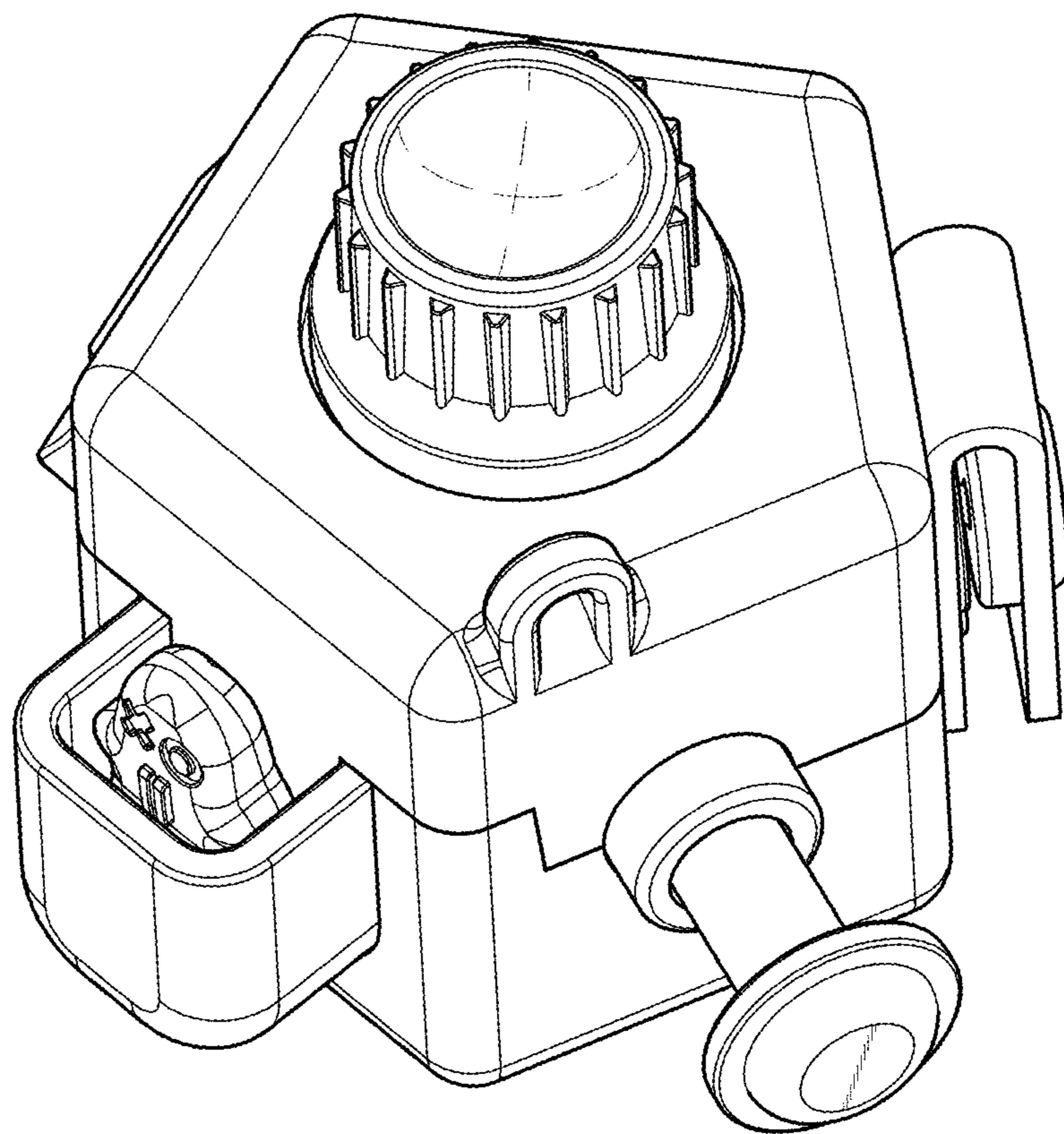


Fig. 8

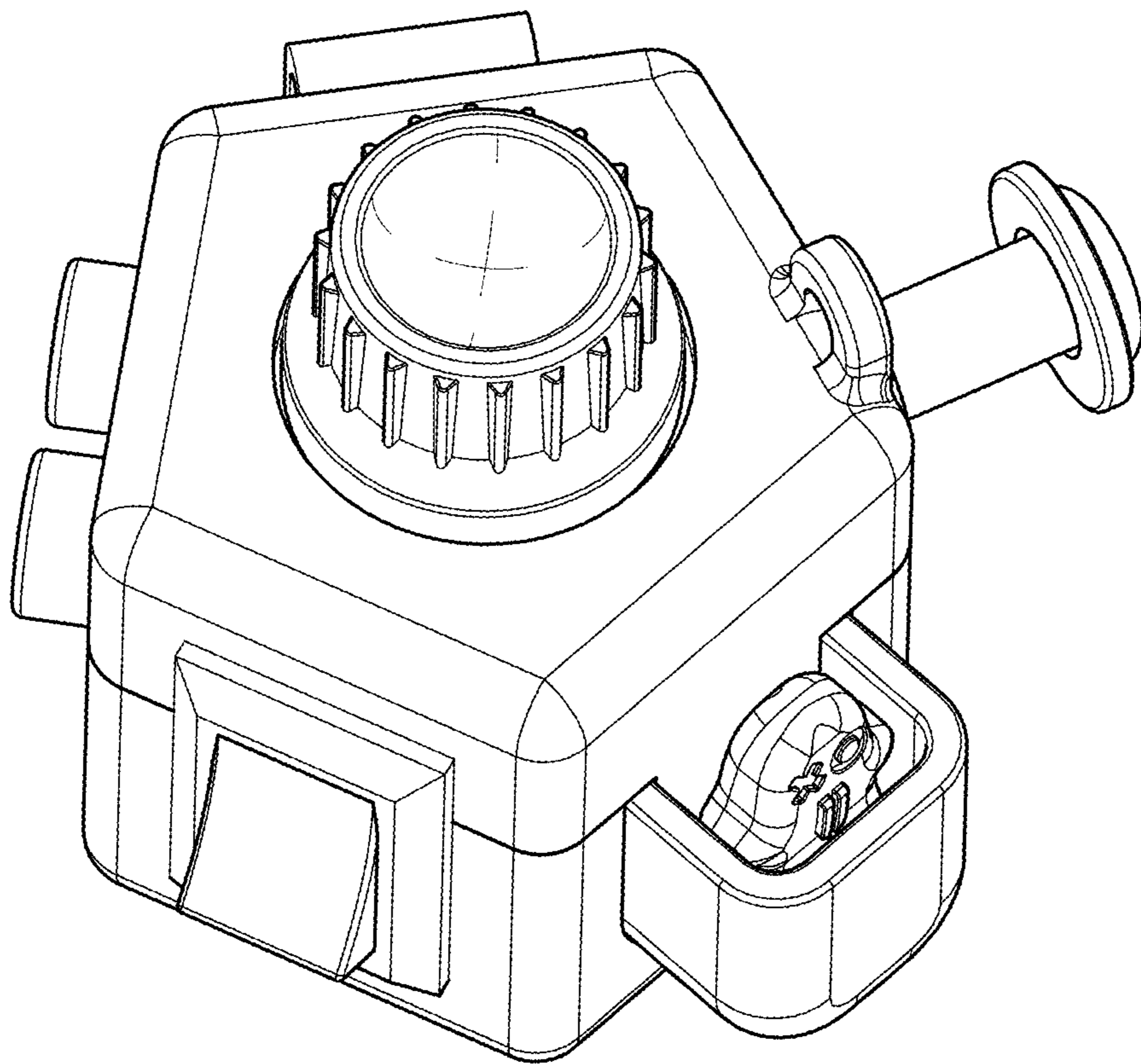


Fig. 9

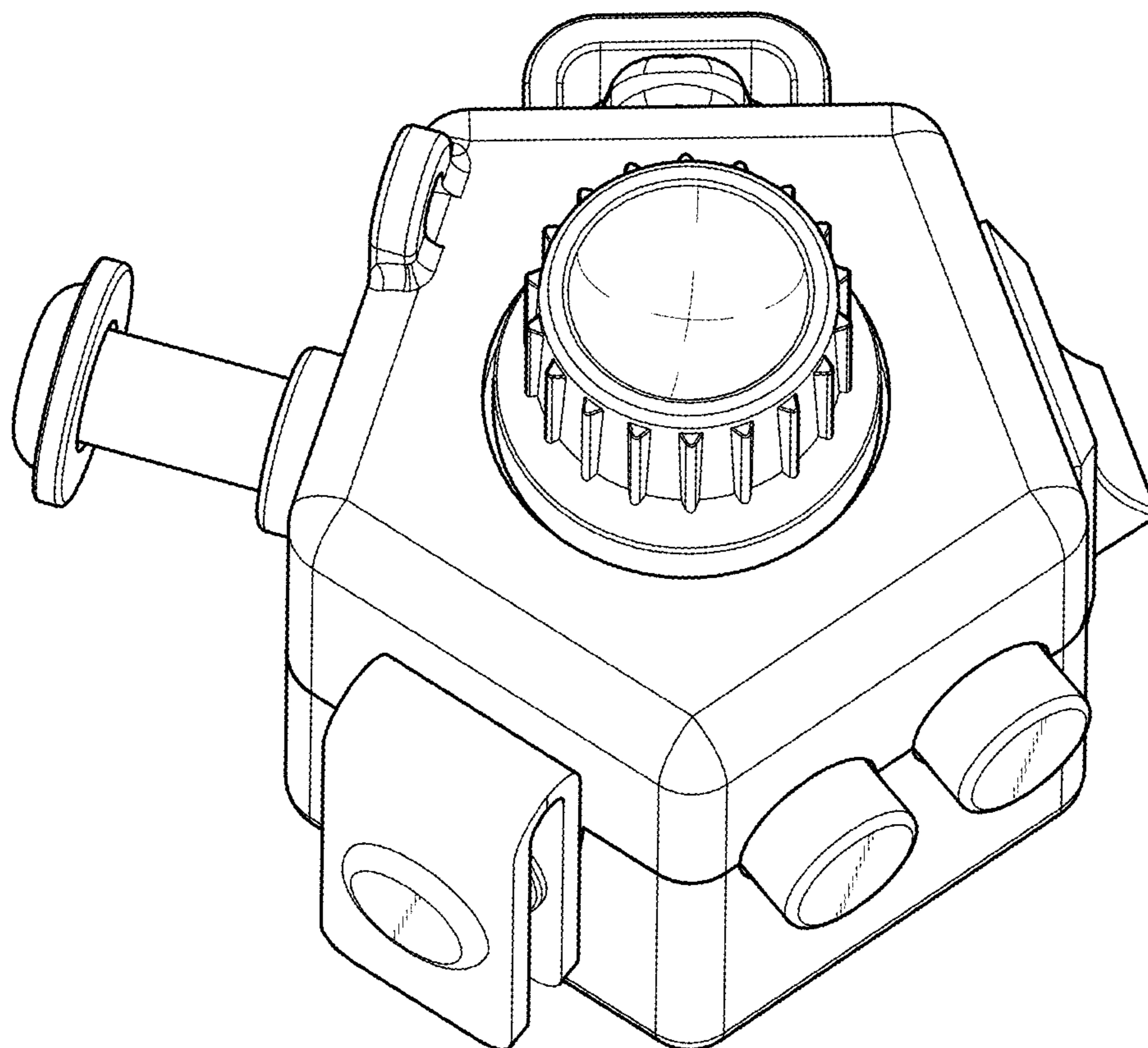


Fig. 10

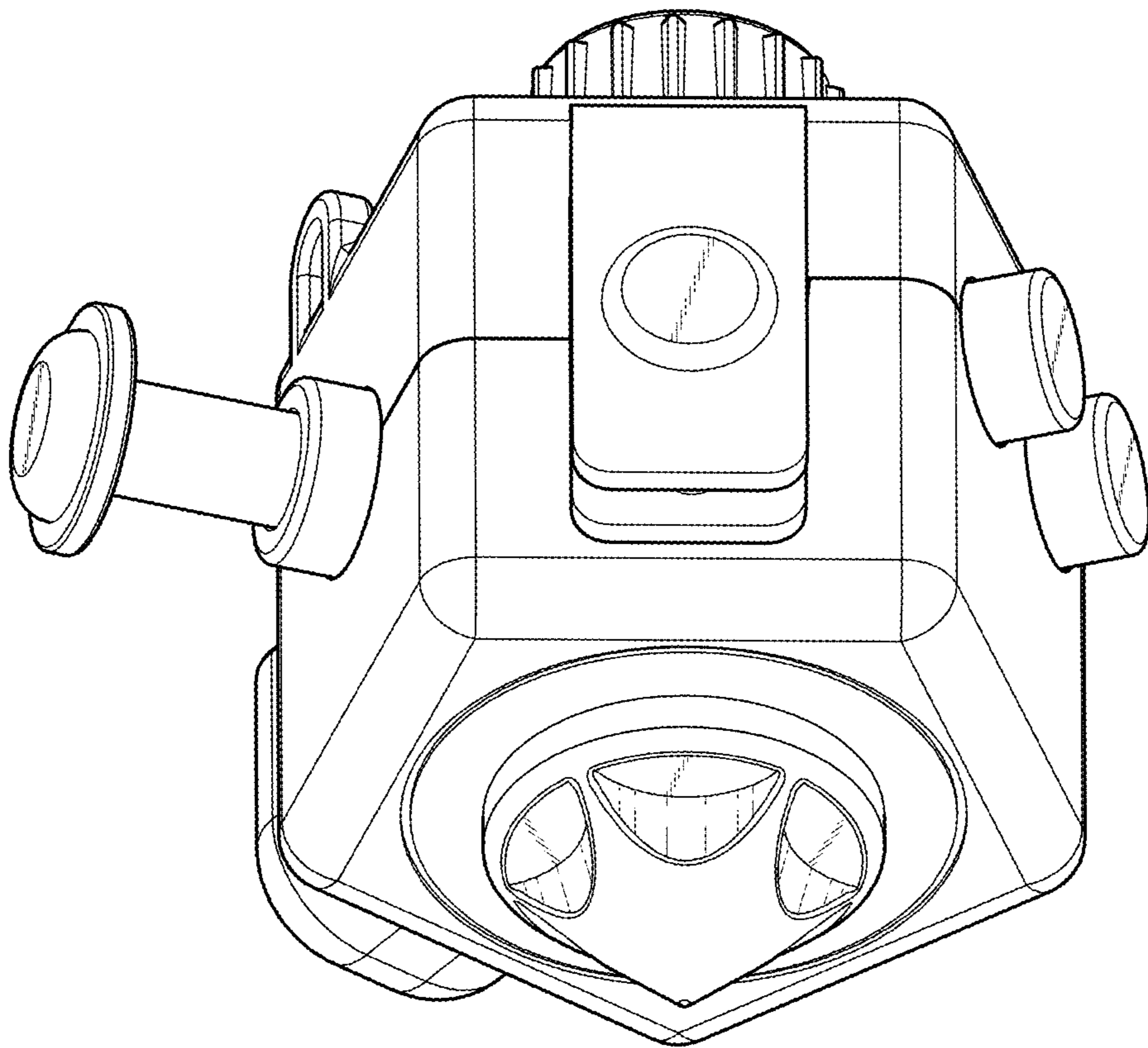


Fig. 11

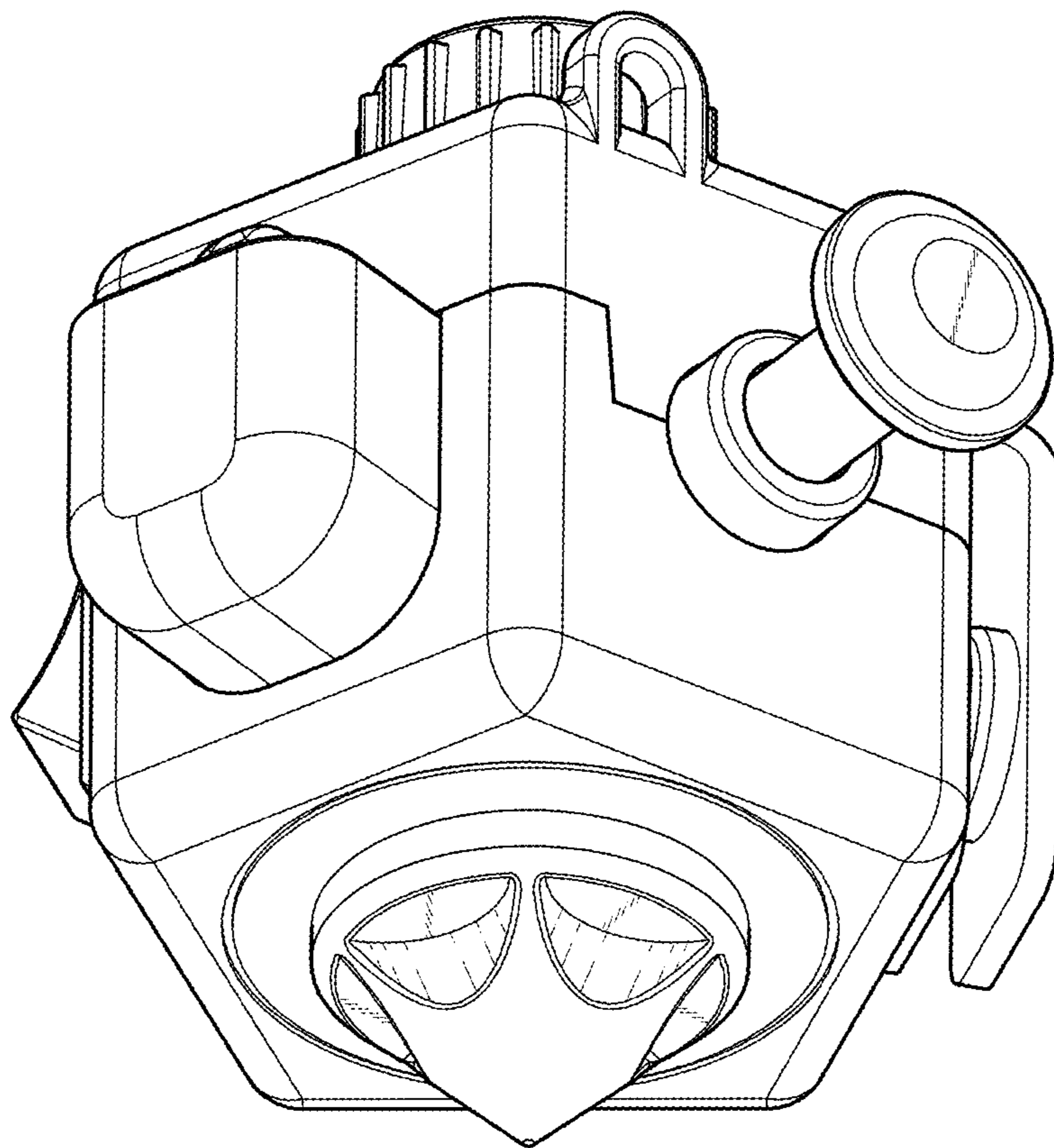


Fig. 12

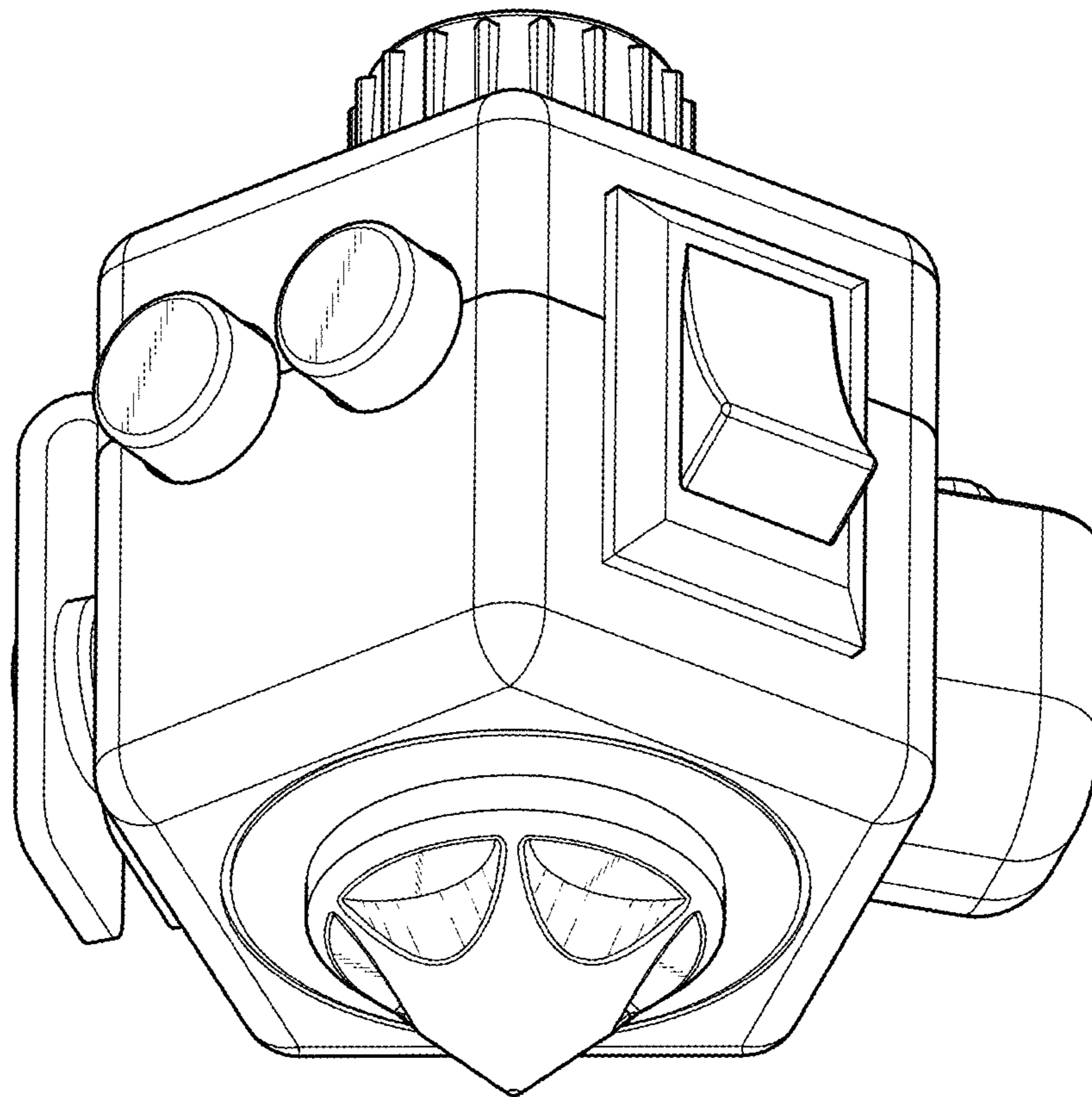


Fig. 13