



US00D806171S

(12) **United States Design Patent** (10) **Patent No.:** **US D806,171 S**
Nally (45) **Date of Patent:** **** Dec. 26, 2017**

(54) **BEAN BAG TOSS GAME TARGET**
(71) Applicant: **Eastpoint Sports Ltd., LLC,**
Succasunna, NJ (US)
(72) Inventor: **Michael J. Nally,** Succasunna, NJ (US)
(73) Assignee: **Eastpoint Sports Ltd., LLC,**
Whippany, NJ (US)
(**) Term: **15 Years**
(21) Appl. No.: **29/570,270**
(22) Filed: **Jul. 6, 2016**

D340,082 S * 10/1993 DeLapa D21/303
D363,953 S * 11/1995 Buse D21/303
5,871,216 A * 2/1999 Sparacino A63B 63/08
273/402
5,909,877 A * 6/1999 Bour A63B 67/06
273/402
7,607,666 B1 * 10/2009 Studier A63B 63/00
116/222
D645,520 S * 9/2011 Dahl D21/303
8,157,265 B2 * 4/2012 Conville A63B 67/06
273/402
8,162,318 B1 * 4/2012 Peterson A63B 67/06
273/343
D706,355 S * 6/2014 Montenare D21/303
D781,960 S * 3/2017 Czwalga D21/303

* cited by examiner

Related U.S. Application Data

(63) Continuation of application No. 14/039,386, filed on
Sep. 27, 2013, now abandoned.

(51) **LOC (10) Cl.** **21-01**

(52) **U.S. Cl.**
USPC **D21/303**

(58) **Field of Classification Search**
USPC D21/300, 302, 303, 318, 334; 273/317,
273/331, 336, 398, 400, 402, 407, 408,
273/410, 118 R, 123 R, 236, 348, 386,
273/287, DIG. 24; 473/569, 578, 592,
473/570, 571, 577, 594; 446/46, 47;
73/901

CPC A63B 63/00; A63B 67/00; A63B 71/00;
A63B 43/06

See application file for complete search history.

(56) **References Cited**

U.S. PATENT DOCUMENTS

4,961,586 A * 10/1990 Conville A63B 67/06
273/402
5,056,796 A * 10/1991 Conville A63B 67/06
273/402
5,165,695 A * 11/1992 Yoder A63B 63/00
273/402

Primary Examiner — Prabhakar G Deshmukh
(74) *Attorney, Agent, or Firm* — Thomas J. Oppold;
Larkin Hoffman Daly & Lindgren, Ltd.

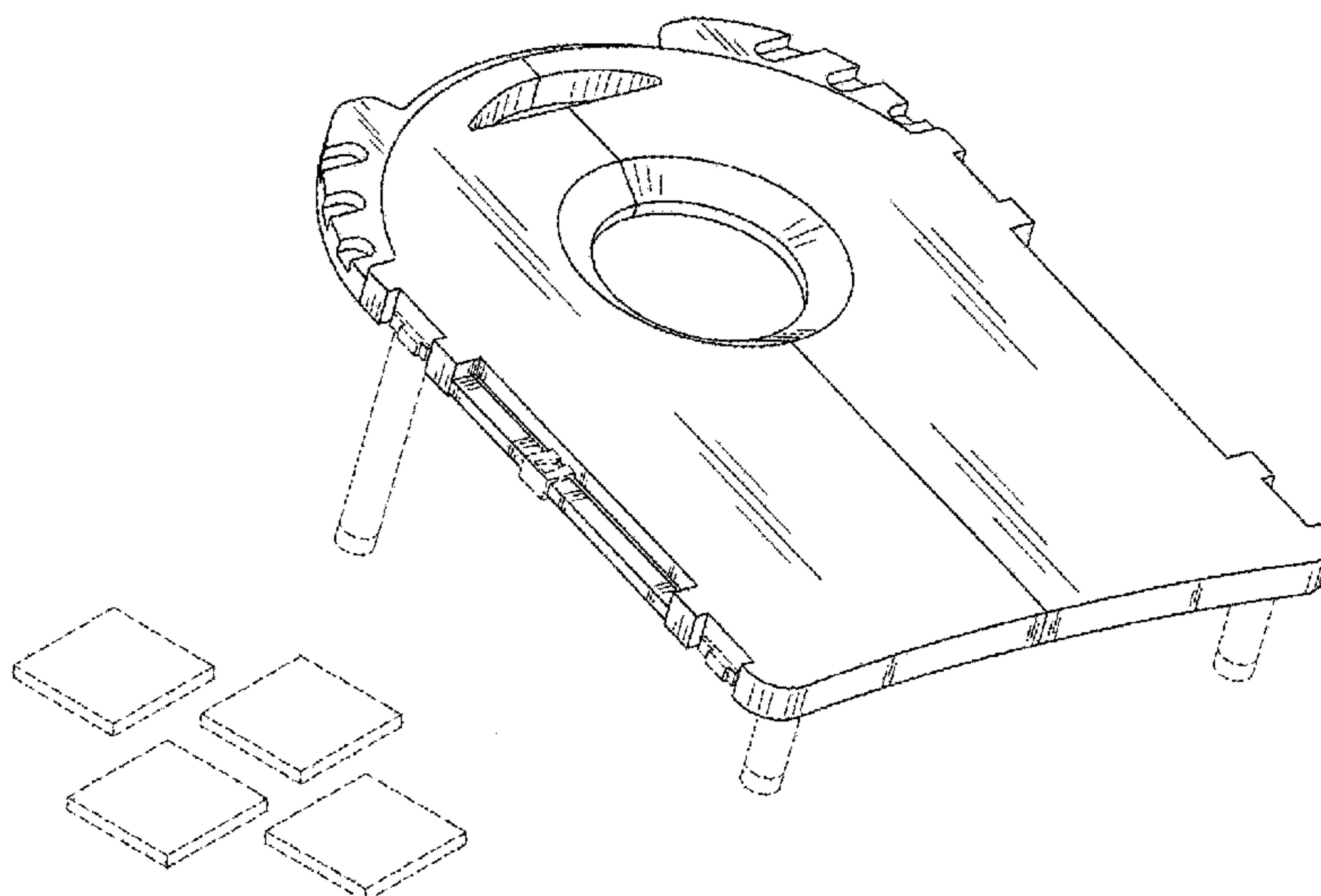
(57) **CLAIM**

The ornamental design for a bean bag toss game target, as
shown and described.

DESCRIPTION

FIG. 1 is a top perspective view of a bean bag toss game
target showing my new design.
FIG. 2 is a bottom perspective view thereof.
FIG. 3 is a top plan view thereof.
FIG. 4 is a bottom plan view thereof.
FIG. 5 is a rear elevation view thereof.
FIG. 6 is a front elevation view thereof.
FIG. 7 is a right side elevation view thereof; and,
FIG. 8 is a left side elevation view thereof.
The broken lines indicate unclaimed portions and form no
part of the claimed design. The broken line showing bags
indicate environment and form no part of the claimed
design.

1 Claim, 6 Drawing Sheets



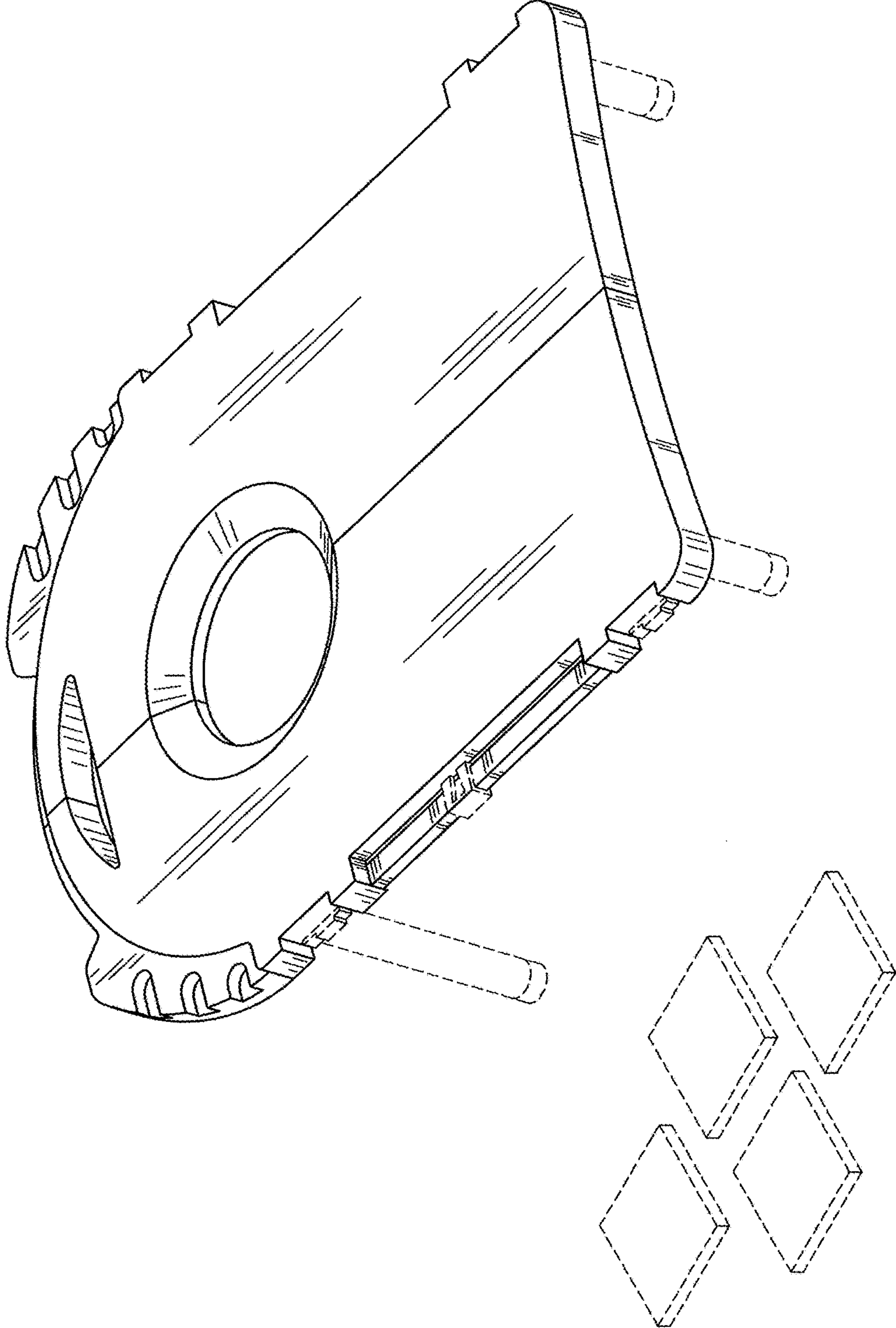


FIG. 1

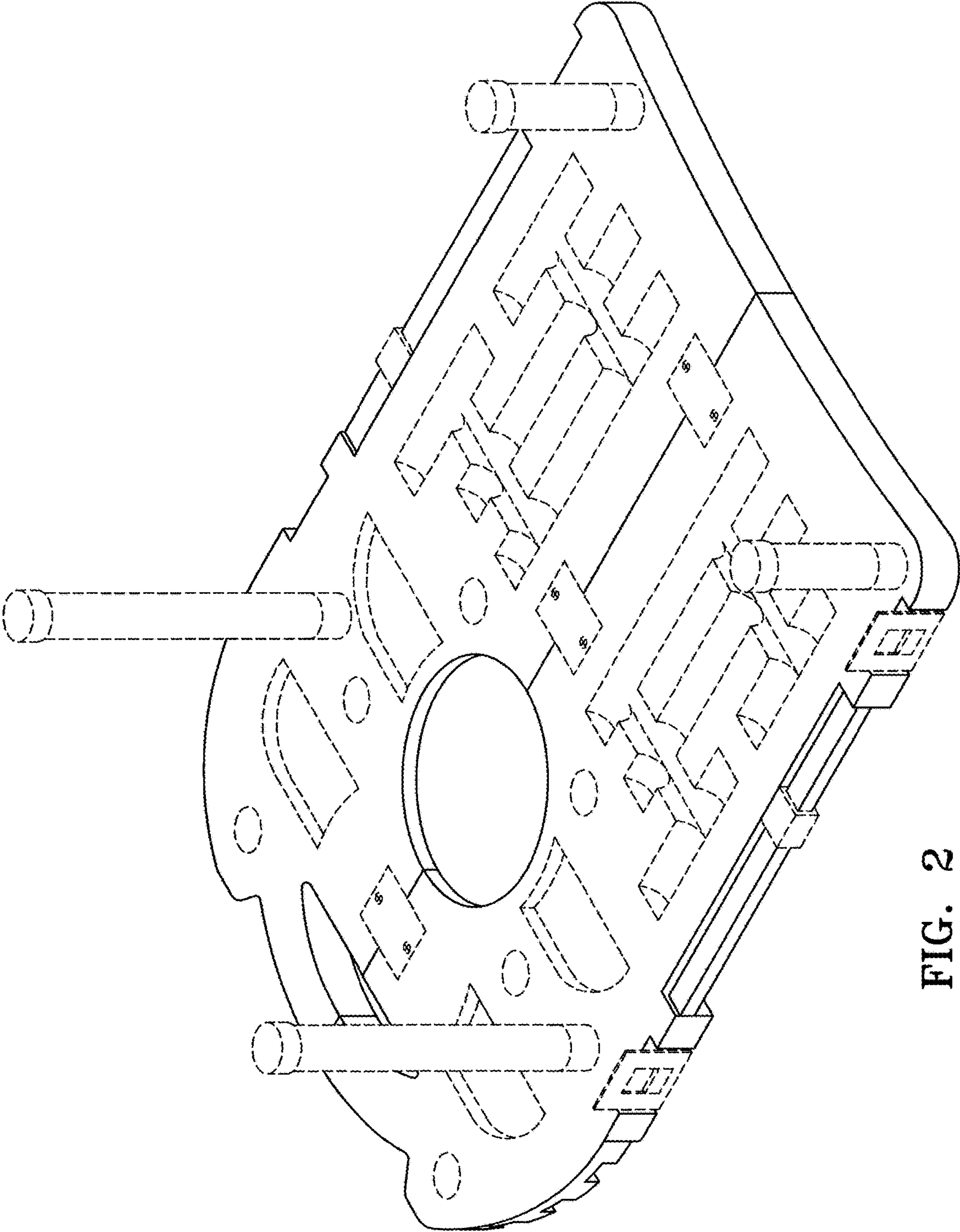


FIG. 2

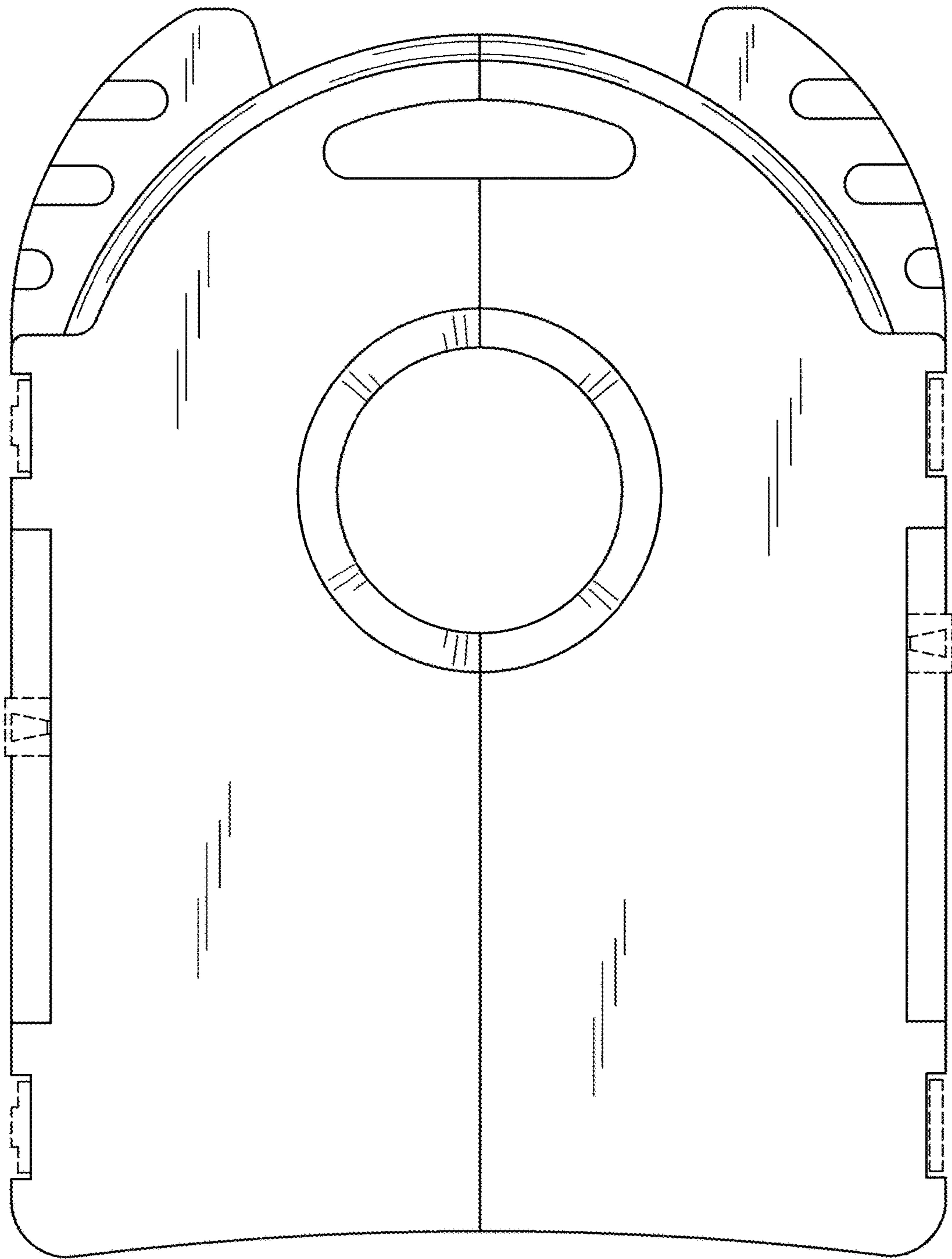


FIG. 3

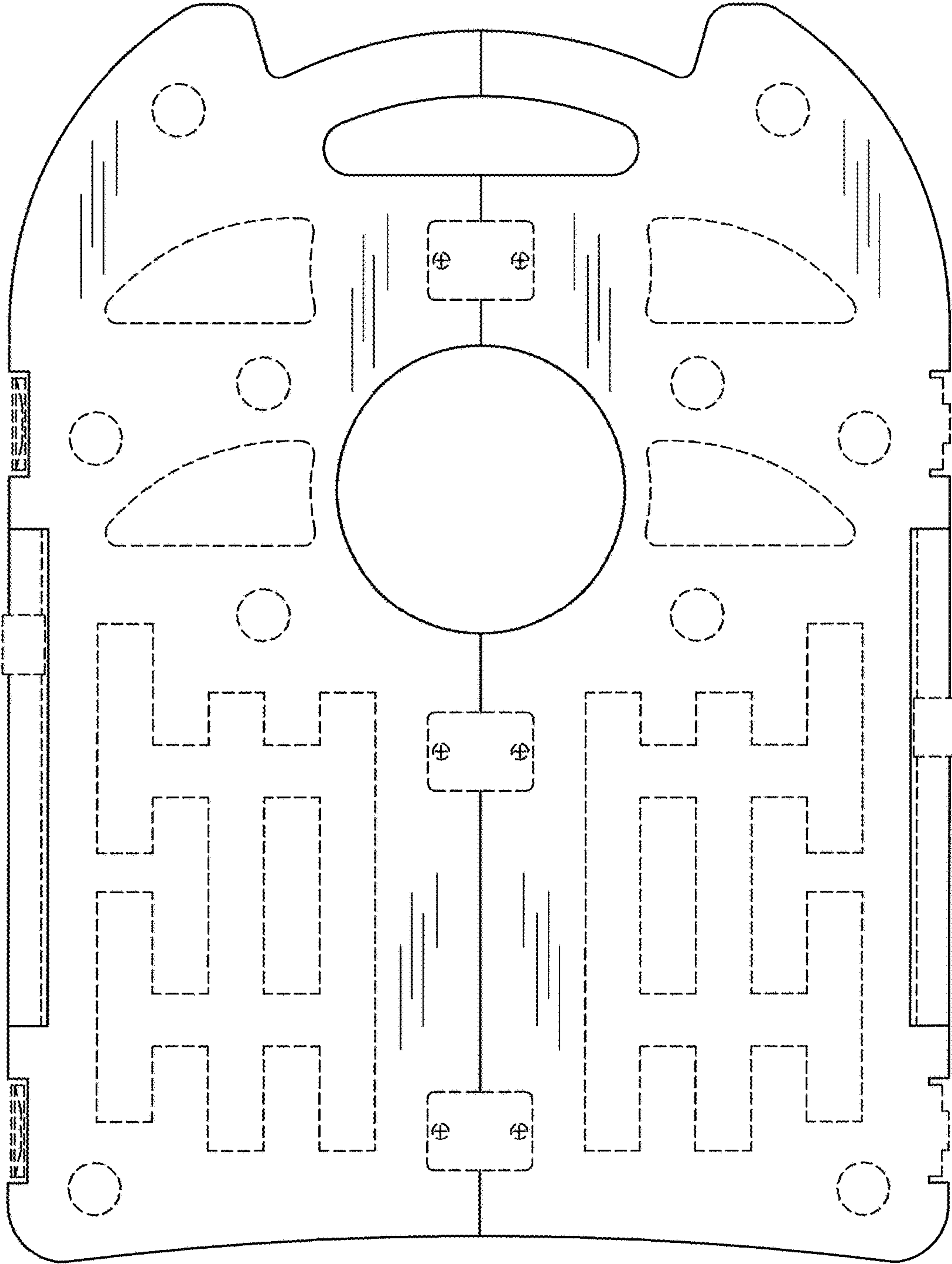


FIG. 4



FIG. 6

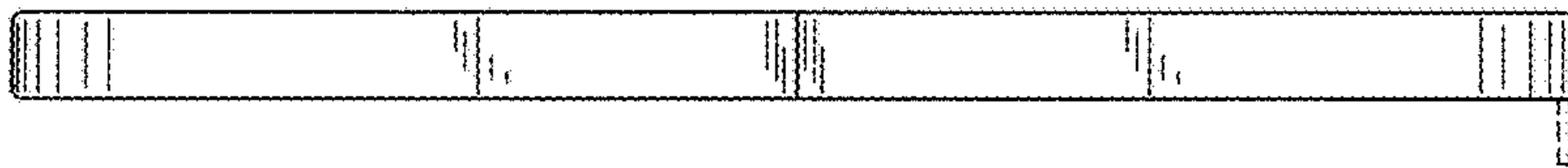


FIG. 5

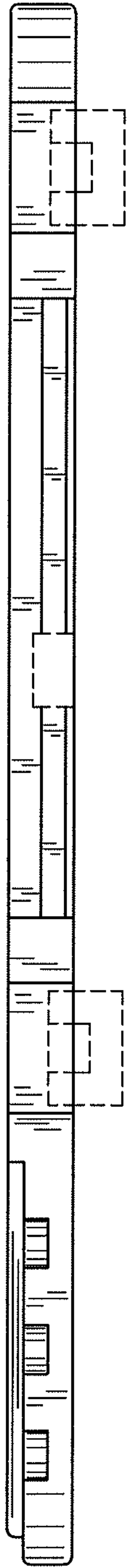


FIG. 7

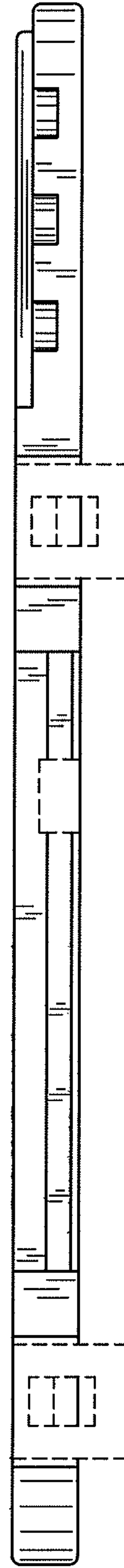


FIG. 8