



US00D806170S

(12) **United States Design Patent** (10) **Patent No.:** **US D806,170 S**
Sim (45) **Date of Patent:** **** Dec. 26, 2017**

- (54) **DISPLAY STAND**
- (71) Applicant: **Botak Sign Pte Ltd**, Singapore (SG)
- (72) Inventor: **Boon Keng Sim**, Singapore (SG)
- (73) Assignee: **Botak Sign Pte Ltd**, Singapore (SG)
- (**) Term: **15 Years**
- (21) Appl. No.: **29/557,053**
- (22) Filed: **Mar. 4, 2016**
- (30) **Foreign Application Priority Data**

Oct. 6, 2015 (SG) 30201501554Y

- (51) **LOC (10) Cl.** **20-03**
- (52) **U.S. Cl.**
USPC **D20/43**
- (58) **Field of Classification Search**
USPC D20/10, 11, 19, 22, 27, 28, 29, 35, 37,
D20/39, 43, 99; D6/332
CPC G09F 1/00; G09F 1/02; G09F 2003/023;
G09F 2003/0261; G09F 2003/0208; G09F
2003/0264; G09F 7/00; G09F 3/206;
G09F 3/00; G09F 13/00; G09F
2007/1807; G09F 13/04; G09F
2013/0427; G09F 2013/0495; G09D 3/00
See application file for complete search history.

(56) **References Cited**

U.S. PATENT DOCUMENTS

- 4,700,498 A * 10/1987 Perutz G09F 1/10
40/603
- D391,298 S * 2/1998 Johnson D20/10
- 5,798,861 A * 8/1998 Doat G09F 11/30
359/443
- 6,370,803 B1 * 4/2002 Burquest G09F 15/0025
40/607.04
- D468,362 S * 1/2003 Zarelius D20/99
- D490,835 S * 6/2004 Kotera D16/241

- D520,046 S * 5/2006 Miyagawa D16/241
- D538,353 S * 3/2007 Spennare D20/41
- D552,181 S * 10/2007 Spennare D20/10
- D578,574 S * 10/2008 Lundgren D20/99
- D592,706 S * 5/2009 Zarelius D20/43
- D592,707 S * 5/2009 Zarelius D20/43
- D594,894 S * 6/2009 Adams D16/241
- D598,501 S * 8/2009 Merner D20/43
- D602,973 S * 10/2009 Adams D16/241
- D607,034 S * 12/2009 Adams D16/241
- D608,830 S * 1/2010 Taylor D20/10
- D608,831 S * 1/2010 Taylor D20/10
- D611,102 S * 3/2010 Taylor D20/10
- D613,798 S * 4/2010 Taylor D20/10
- D614,225 S * 4/2010 Adams D16/241
- D645,090 S * 9/2011 Gimpel D20/10
- D651,249 S * 12/2011 Gimpel D20/10
- D653,501 S * 2/2012 Landsberger D7/406

(Continued)

Primary Examiner — Mary Ann Calabrese

Assistant Examiner — Sloan Rozin

(74) *Attorney, Agent, or Firm* — Seed Intellectual Property Law Group LLP

(57) **CLAIM**

The ornamental design for a display stand, as shown and described.

DESCRIPTION

FIG. 1 is a front perspective view of a display stand showing my new design.

FIG. 2 is a rear perspective view thereof.

FIG. 3 is a second rear perspective view thereof.

FIG. 4 is a top plan view thereof.

FIG. 5 is a bottom plan view thereof.

FIG. 6 is a front elevational view thereof.

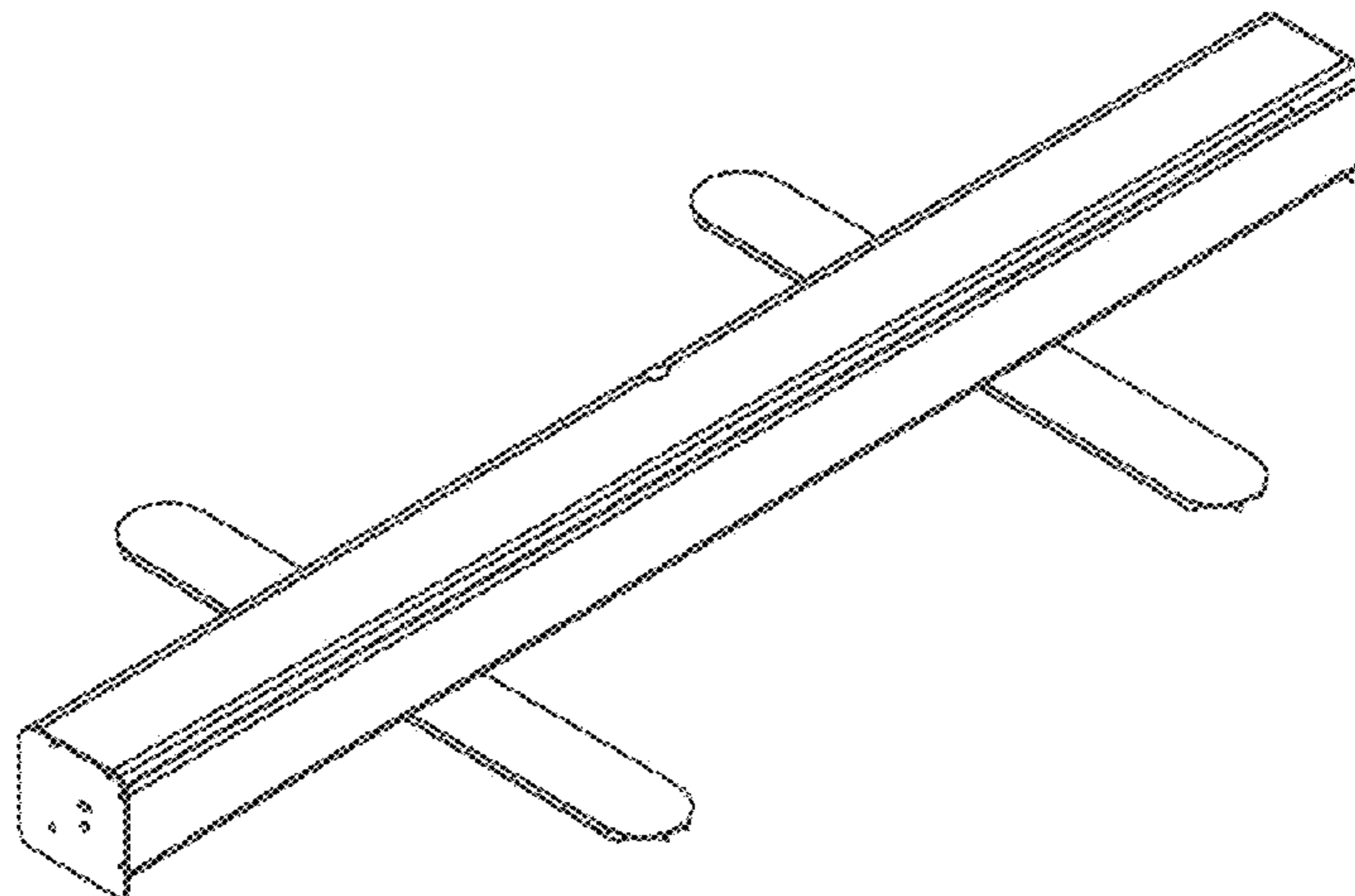
FIG. 7 is a rear elevational view thereof.

FIG. 8 is a right side elevational view thereof; and,

FIG. 9 is a left side elevational view thereof.

The broken lines in the figures represent features of the article of manufacture that form no part of the claimed design.

1 Claim, 9 Drawing Sheets



(56)

References Cited

U.S. PATENT DOCUMENTS

8,313,199	B2 *	11/2012	Hirata	G02B 17/08 353/94
D680,336	S *	4/2013	Aragon	D20/10
D708,459	S *	7/2014	Heirakuji	D6/675
D737,604	S *	9/2015	Bridger	D6/675
D763,605	S *	8/2016	Bridger	D6/675
D773,866	S *	12/2016	Hogberg	D6/681
2002/0050083	A1 *	5/2002	Zarelius	G09F 11/18 40/514
2002/0121034	A1 *	9/2002	Schmitt	G09F 15/0025 40/604
2005/0081413	A1 *	4/2005	Ko	G09F 21/04 40/514
2005/0166430	A1 *	8/2005	Zarelius	G09F 15/0062 40/600
2007/0070500	A1 *	3/2007	Meyer	G09F 15/0025 359/461
2008/0005945	A1 *	1/2008	Fritsche	G09F 11/21 40/603
2009/0056184	A1 *	3/2009	Fritsche	G09F 15/0025 40/604
2009/0122400	A1 *	5/2009	Adams	G03B 21/56 359/461
2010/0050489	A1 *	3/2010	Merner	G09F 15/0062 40/604
2010/0139135	A1 *	6/2010	Taylor	G09F 15/0025 40/541
2010/0146832	A1 *	6/2010	Gimpel	G09F 11/21 40/604
2011/0032612	A1 *	2/2011	Abe	G03B 21/58 359/461

* cited by examiner

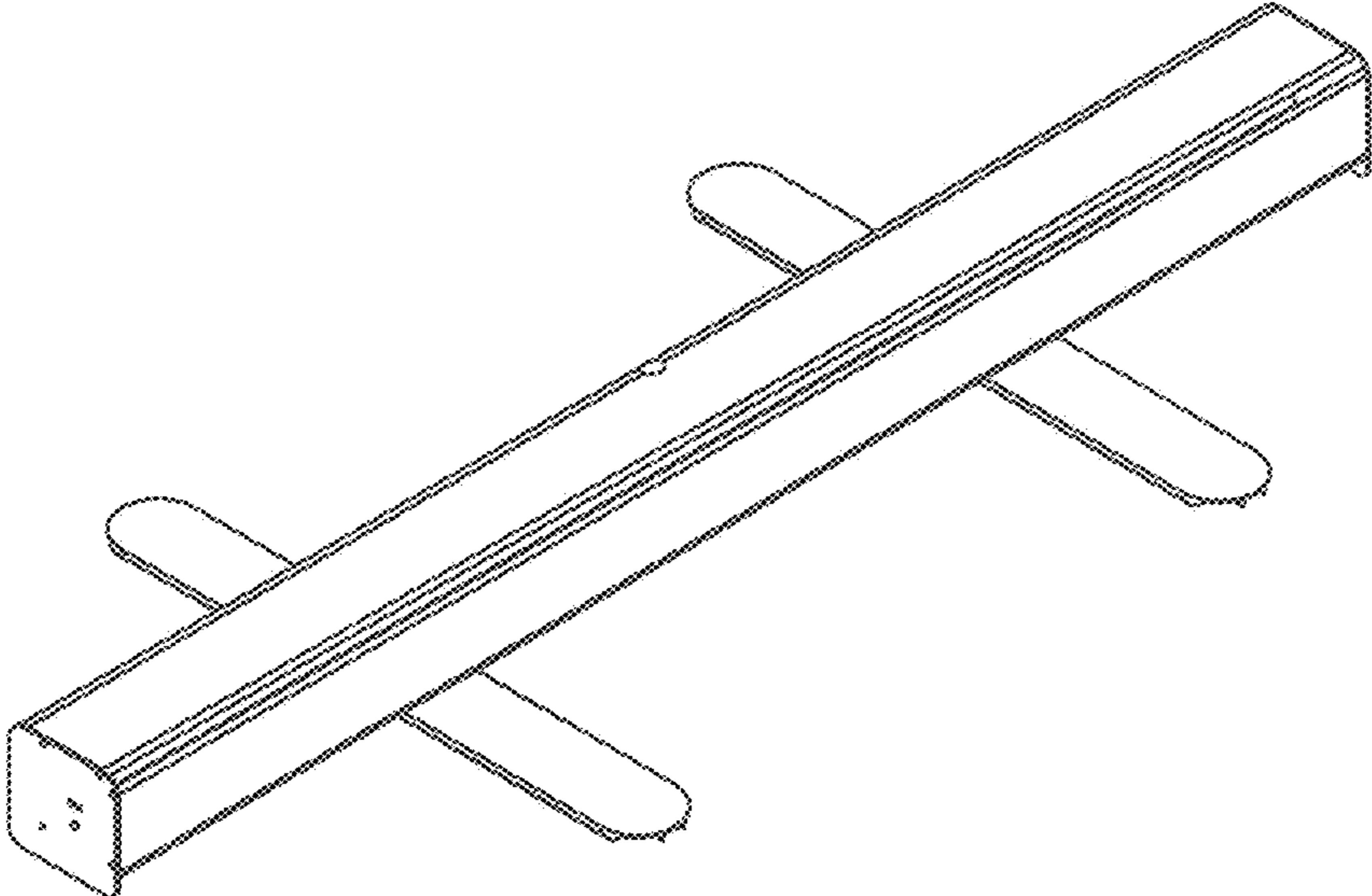


FIG. 1

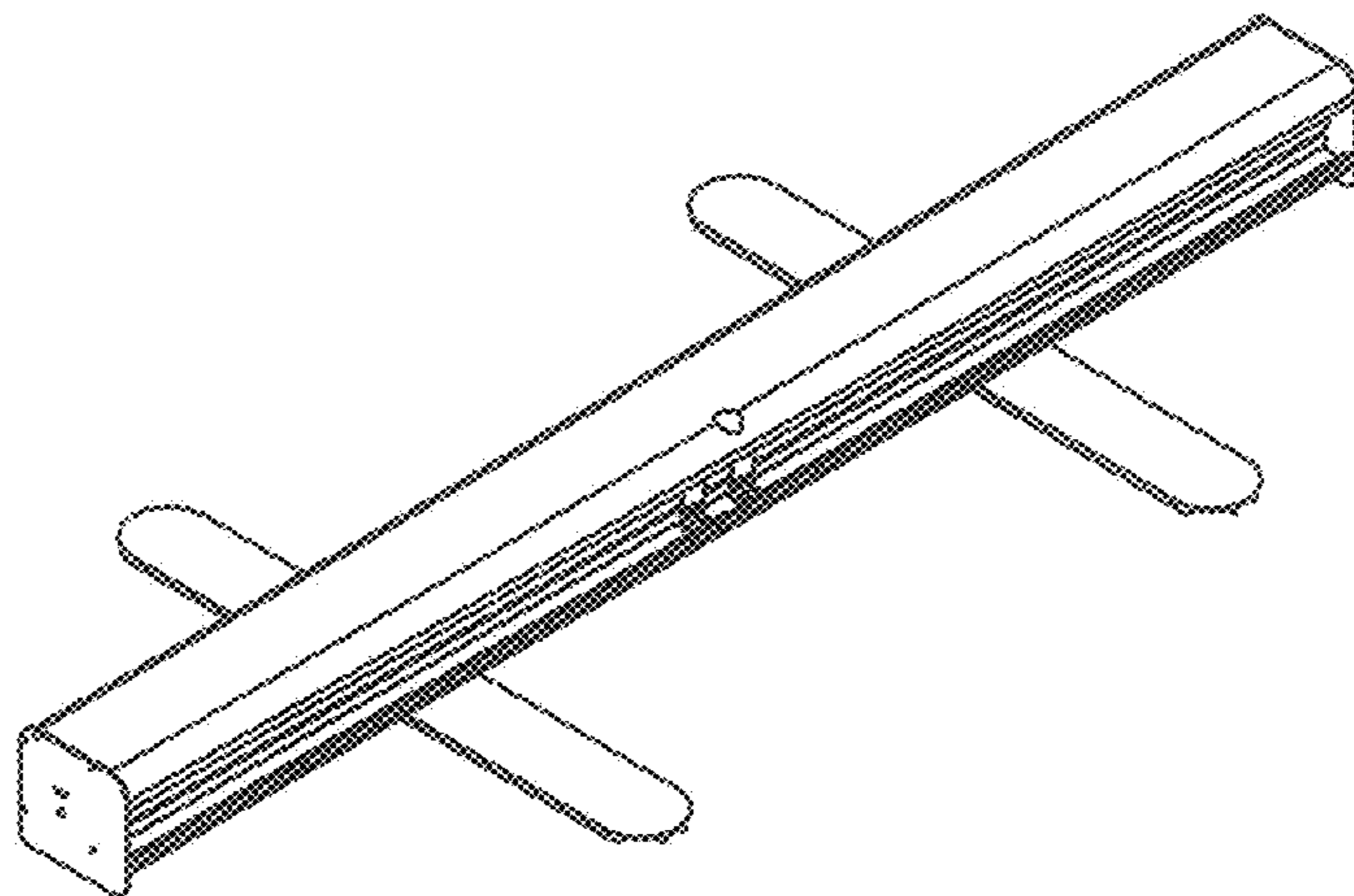


FIG. 2

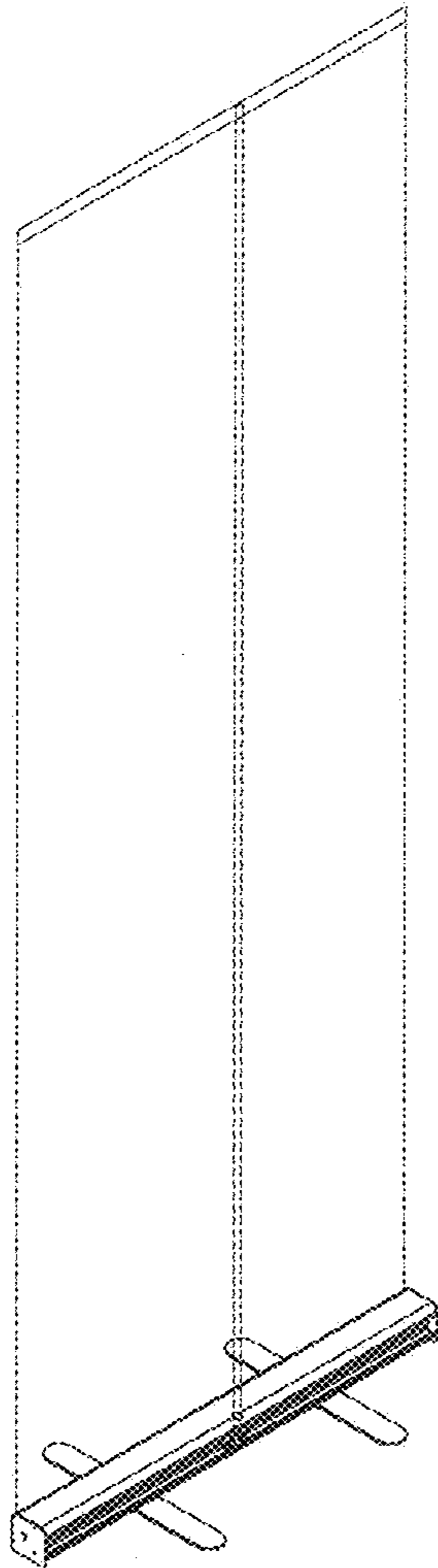


FIG. 3

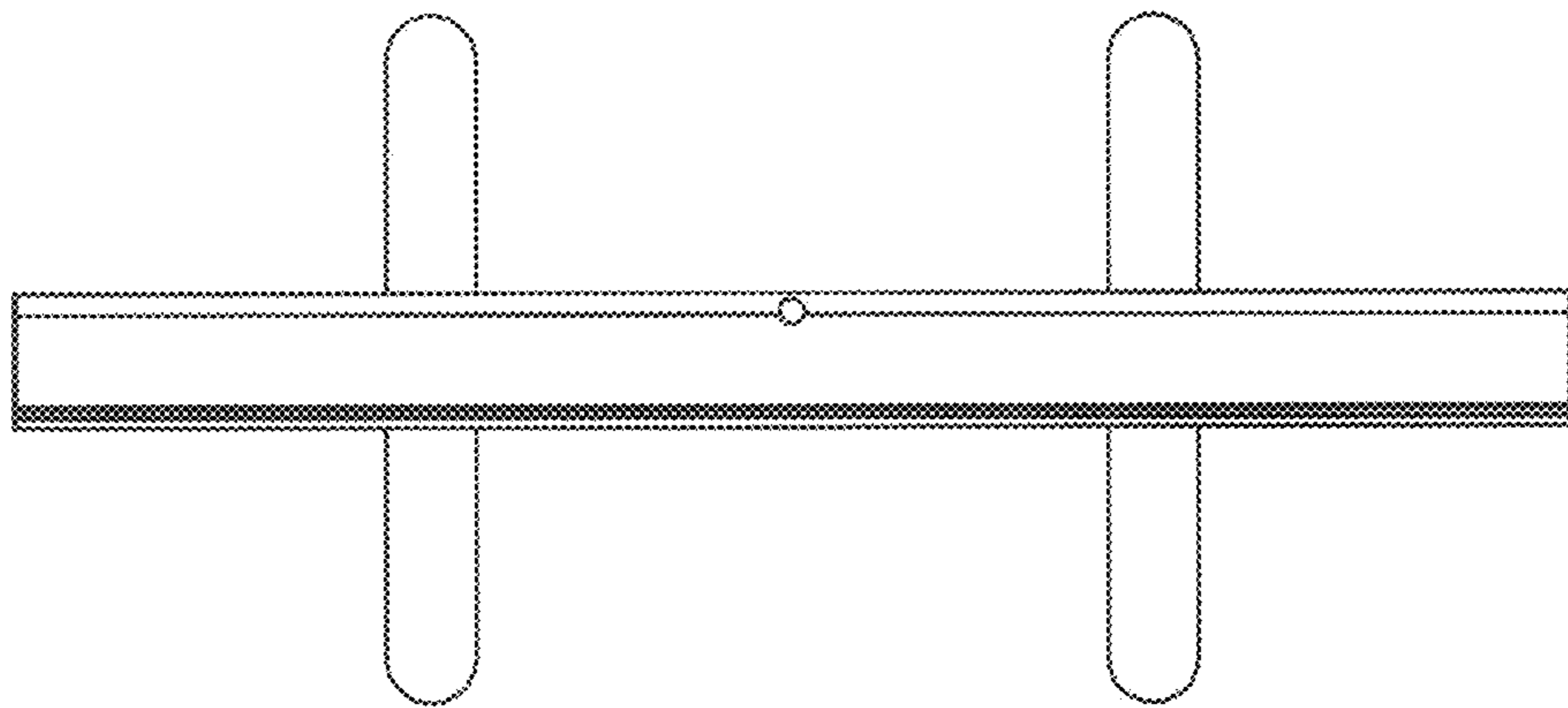


FIG. 4

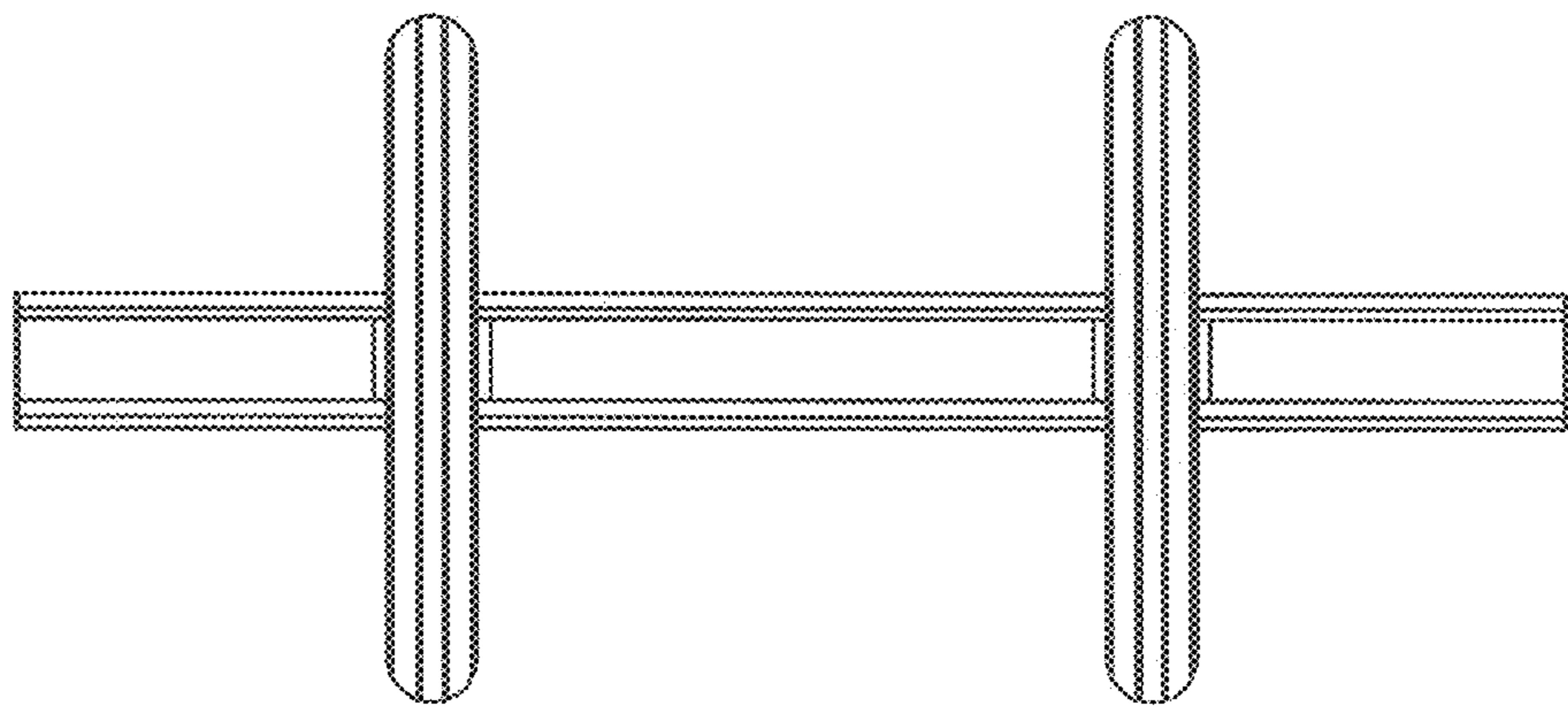


FIG. 5

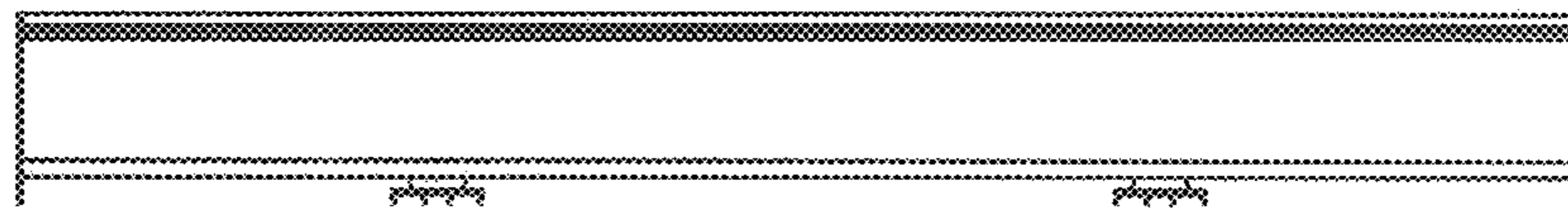


FIG. 6



FIG. 7

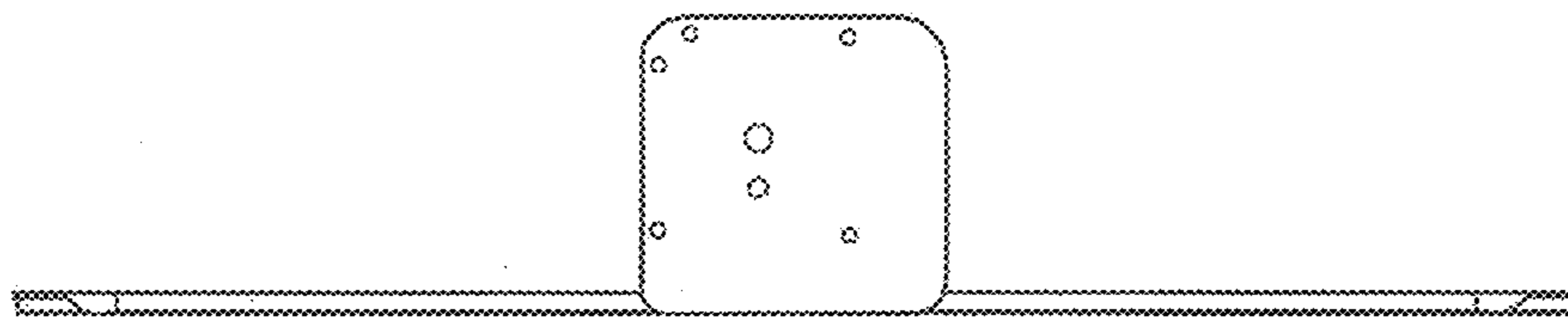


FIG. 8

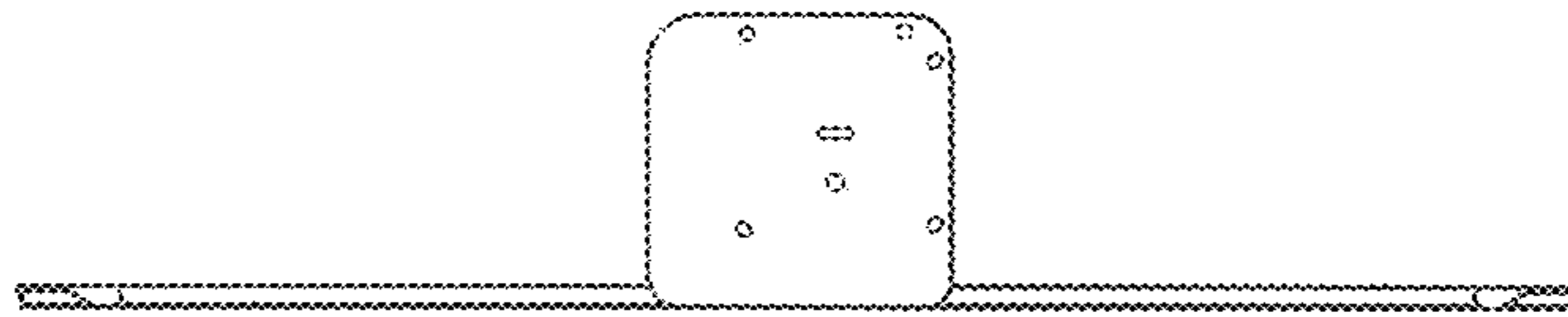


FIG. 9