



US00D806167S

(12) **United States Design Patent** (10) **Patent No.:** **US D806,167 S**
Seiders et al. (45) **Date of Patent:** **** Dec. 26, 2017**

(54) **HANDLE**
(71) Applicant: **YETI Coolers, LLC**, Austin, TX (US)
(72) Inventors: **Roy Joseph Seiders**, Rollingwood, TX (US); **Steve Charles Nichols**, Austin, TX (US); **Kyle Thomas Miller**, Austin, TX (US)
(73) Assignee: **YETI Coolers, LLC**, Austin, TX (US)

(**) Term: **15 Years**

(21) Appl. No.: **29/560,694**

(22) Filed: **Apr. 8, 2016**

(51) **LOC (10) Cl.** **07-06**

(52) **U.S. Cl.**
USPC **D19/40**

(58) **Field of Classification Search**
USPC D8/14, 16, 18, 19, 33-43, 98, 88, 89, D8/107, 300, 301, 306-309, DIG. 10
CPC B67B 7/00; B67B 7/04; B67B 7/14; B67B 7/16; B67B 7/18; B67B 7/20; B67B 7/24; B67B 7/30; B67B 7/34; B67B 7/36; B67B 7/44

See application file for complete search history.

(56) **References Cited**

U.S. PATENT DOCUMENTS

928,156 A * 7/1909 Rydquist B67B 7/16
81/3.57
1,676,648 A * 7/1928 Hardiman B67B 7/16
81/3.57
D105,160 S * 6/1937 Zinkil D23/252
D245,830 S * 9/1977 De Gross D8/18
D250,510 S * 12/1978 Bujan D8/40
D255,981 S * 7/1980 Carbo D8/107
4,398,314 A * 8/1983 Converse B67B 7/403
7/151
4,658,455 A * 4/1987 Skillern A47L 13/512
248/211

D292,168 S * 10/1987 Seltzer 81/3.8
D296,411 S * 6/1988 Madsen D8/18
D304,992 S * 12/1989 Matthies D8/40
4,967,436 A * 11/1990 Russell B67B 7/44
7/105
5,069,090 A * 12/1991 Clark B67B 7/44
7/105
D323,967 S * 2/1992 Talbot D8/98
D344,551 S * 2/1994 McJunkin D21/399
D382,453 S * 8/1997 Drinkwater D8/18
6,199,452 B1 * 3/2001 Vinar B67B 7/14
81/3.36
D440,132 S * 4/2001 Su D8/14

(Continued)

OTHER PUBLICATIONS

You Earned It Bottle Opener [online]. Retrieved on Jun. 8, 2017, Wayback Machine retrieval date from the Internet: Jun. 25, 2014, <<http://web.archive.org/web/20140625154613/www.owenandfred.com/products/you-earned-it-bottle-opener>>.

Primary Examiner — Elizabeth Albert

(74) *Attorney, Agent, or Firm* — Banner & Witcoff, Ltd.

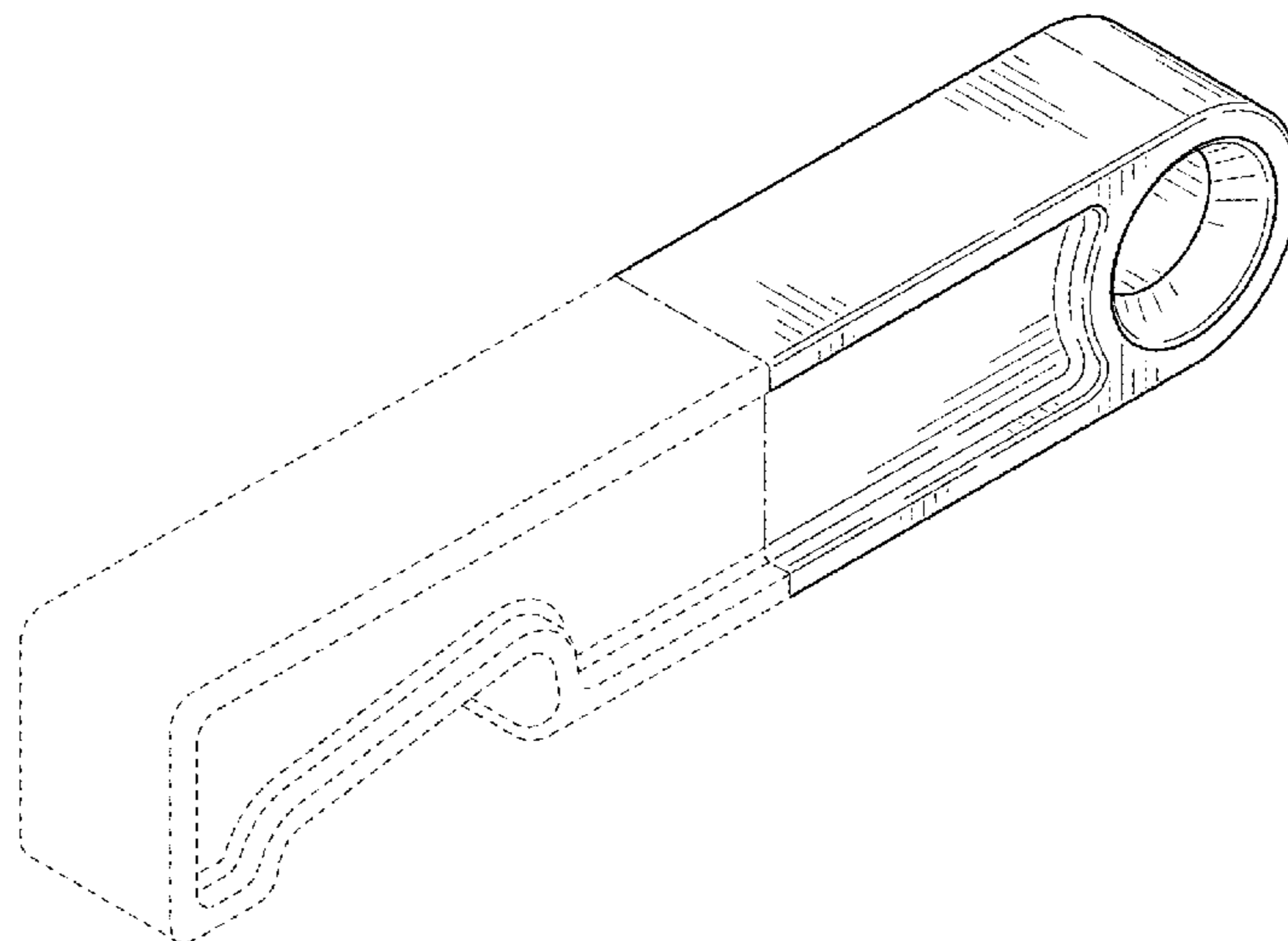
(57) **CLAIM**

The ornamental design for a handle, as shown and described.

DESCRIPTION

FIG. 1 is a top, front, right perspective view of a handle showing our new design;
FIG. 2 is a right side view thereof;
FIG. 3 is a left side view thereof;
FIG. 4 is a rear view thereof;
FIG. 5 is a front view thereof;
FIG. 6 is a top view thereof; and,
FIG. 7 is a bottom view thereof.
The long and short broken lines that define the bounds of the claimed design form no part thereof. The even length broken lines are included to show portions that form no part of the claimed design.

1 Claim, 3 Drawing Sheets



(56)

References Cited

U.S. PATENT DOCUMENTS

D477,523	S *	7/2003	Malvasio	D8/105
D501,773	S *	2/2005	Kohn	D8/18
D571,171	S *	6/2008	Albritton	D8/14
D575,613	S *	8/2008	Jennings	D8/98
D713,699	S *	9/2014	Bachman	D8/40
D714,612	S *	10/2014	Gropl	D8/98
D721,564	S *	1/2015	Purnomohadi	D8/98
D735,542	S *	8/2015	Nelson	D8/14
D737,645	S *	9/2015	Jordan	D8/40
2011/0185858	A1 *	8/2011	Luo	B67B 7/44 81/3.09

* cited by examiner

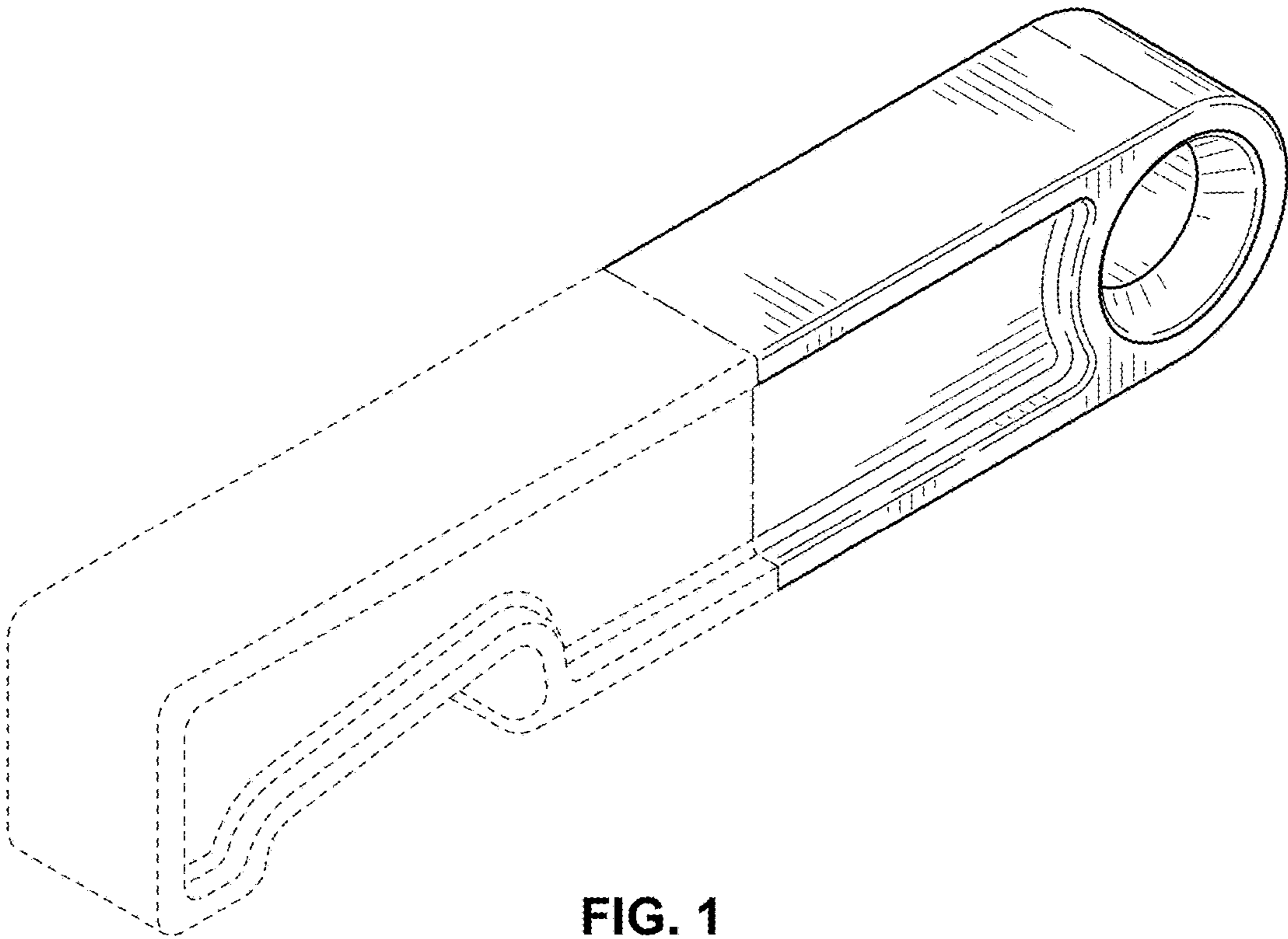


FIG. 1

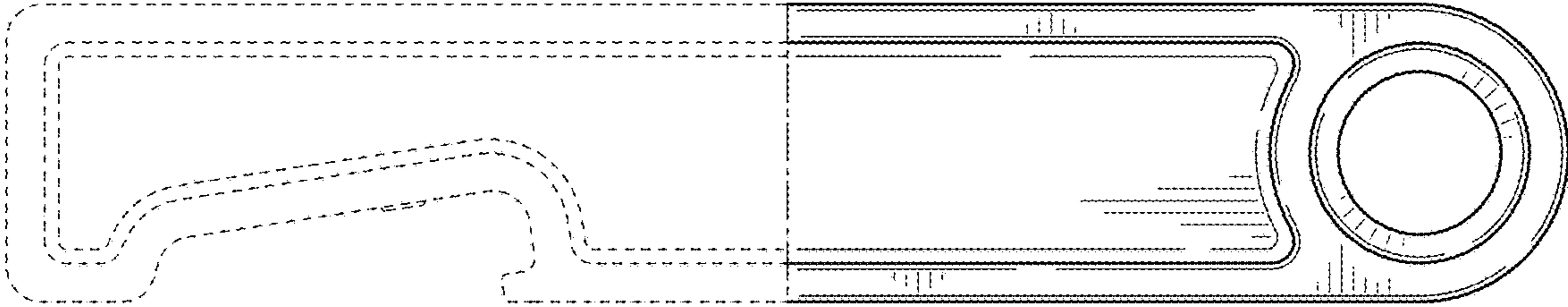


FIG. 2

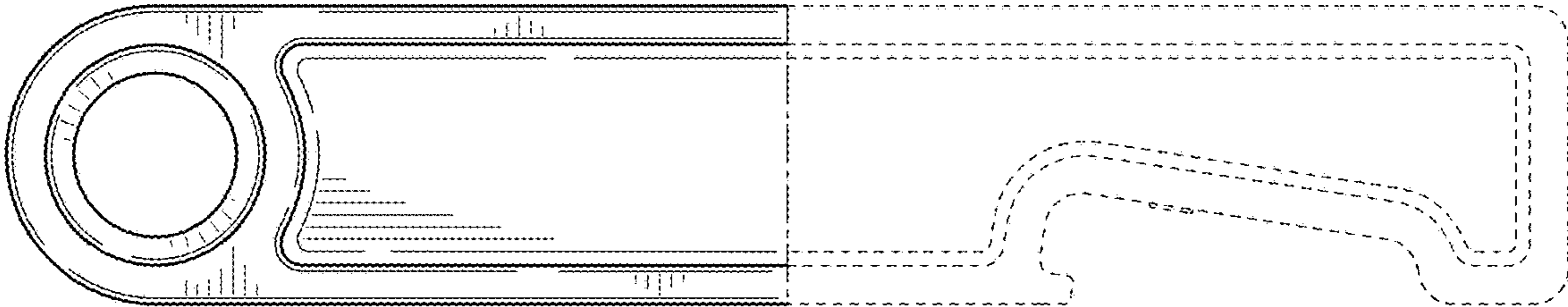


FIG. 3

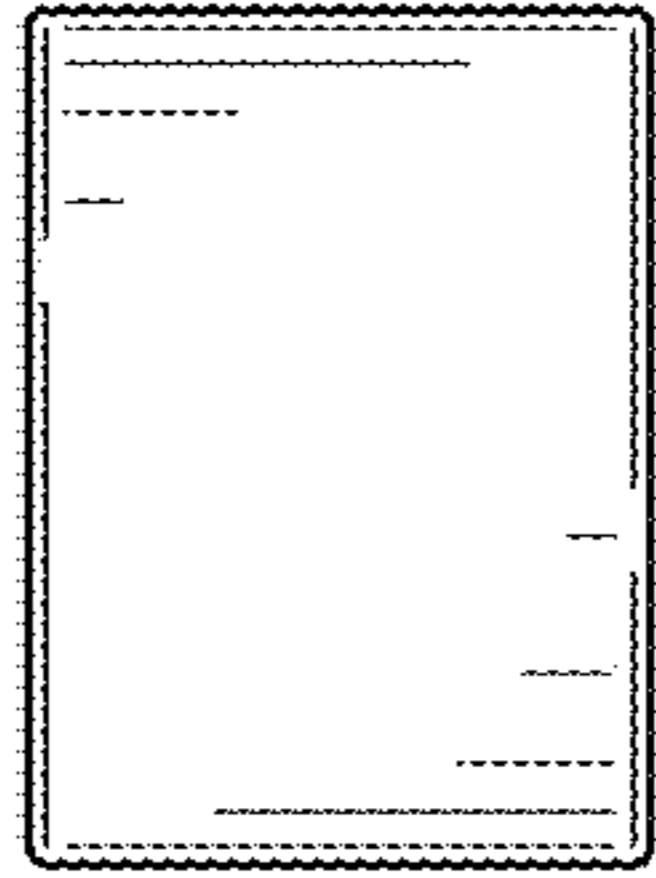


FIG. 4

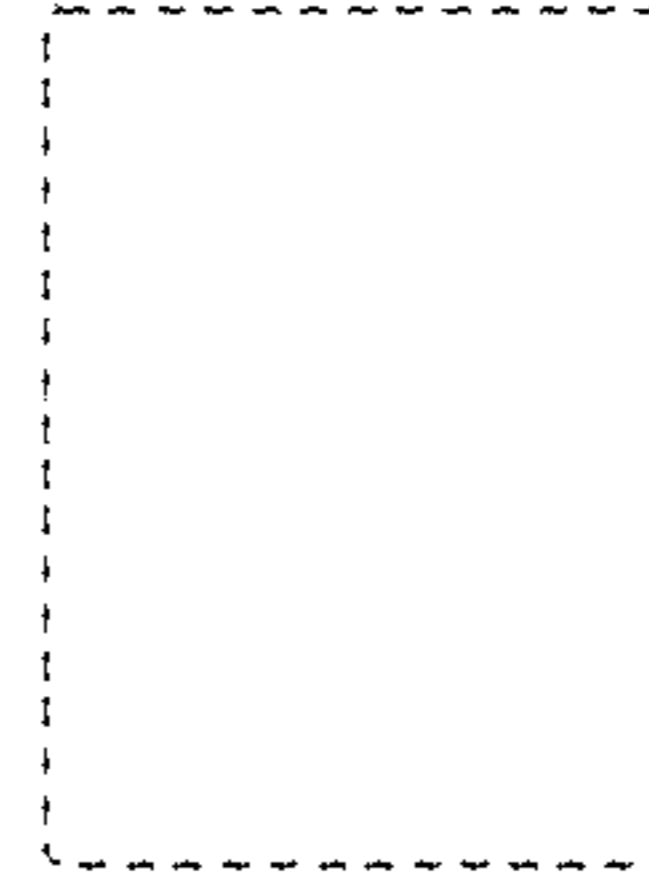


FIG. 5

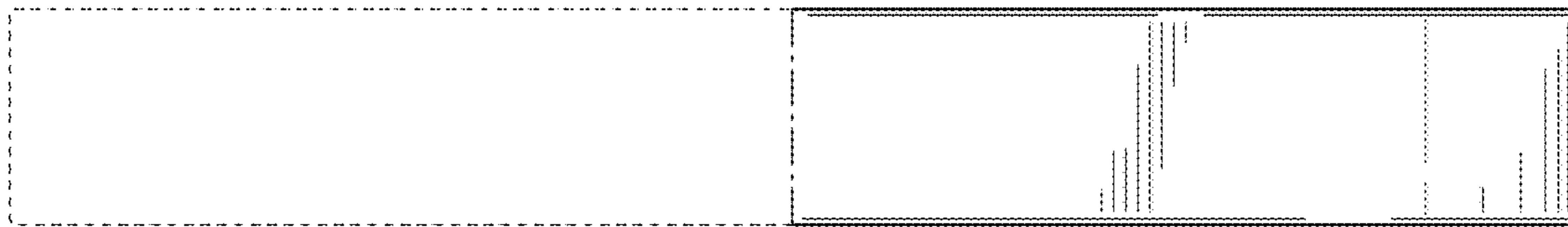


FIG. 6

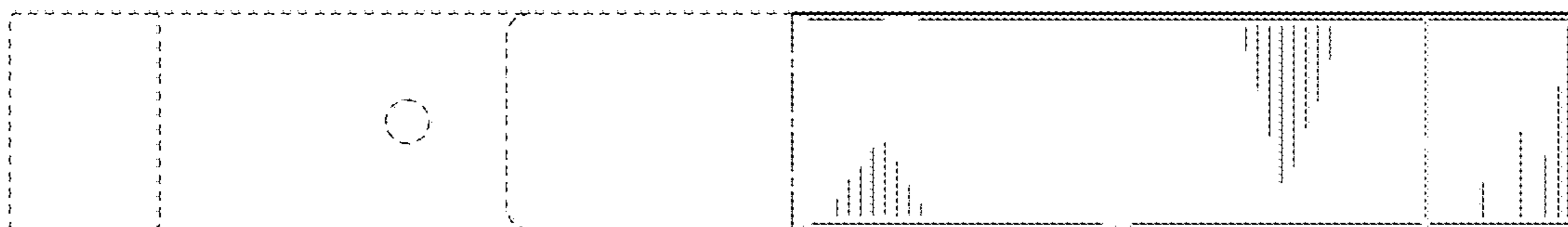


FIG. 7