



US00D806165S

(12) **United States Design Patent** (10) **Patent No.:** **US D806,165 S**
Stamp et al. (45) **Date of Patent:** **** Dec. 26, 2017**

(54) **INK FILTER HOUSING**

(71) Applicant: **VIDEOJET TECHNOLOGIES INC.**,
Wood Dale, IL (US)

(72) Inventors: **Michael Stamp**, Oadby (GB); **Paul King**, Whittlesey (GB); **Robert Smith**, Northants (GB)

(73) Assignee: **Videojet Technologies Inc.**, Wood Dale, IL (US)

(**) Term: **15 Years**

(21) Appl. No.: **29/567,260**

(22) Filed: **Jun. 7, 2016**

(51) **LOC (10) Cl.** **18-02**

(52) **U.S. Cl.**
USPC **D18/56**

(58) **Field of Classification Search**
USPC D18/12, 56, 99, 43; D14/299; 400/613;
347/7, 86, 87
CPC . G02B 5/223; G02B 5/20; G02B 5/22; C09D
11/30
See application file for complete search history.

(56) **References Cited**

U.S. PATENT DOCUMENTS

D400,575 S	*	11/1998	Kobayashi	D18/56
D571,396 S	*	6/2008	Nip	347/86
D571,852 S	*	6/2008	Nip	347/86
D575,331 S	*	8/2008	Yuen	347/86
D597,595 S	*	8/2009	Nip	D18/56
D665,019 S	*	8/2012	Hatch	D18/56

D665,842 S	*	8/2012	Hatch	D18/56
D680,583 S	*	4/2013	Harada	D18/56
D699,785 S	*	2/2014	Harvey	D18/56
D721,132 S	*	1/2015	Kobayashi	D18/56
D727,418 S	*	4/2015	Rooney	D18/56
D741,402 S	*	10/2015	Rooney	D18/56
D741,403 S	*	10/2015	O'Reilly	D18/56
D762,260 S	*	7/2016	Oya	D18/56
D762,769 S	*	8/2016	Oya	D18/56
D762,770 S	*	8/2016	Oya	D18/56

* cited by examiner

Primary Examiner — Cynthia Ramirez

Assistant Examiner — Michael A Maharajh

(74) *Attorney, Agent, or Firm* — Robert J. Follett

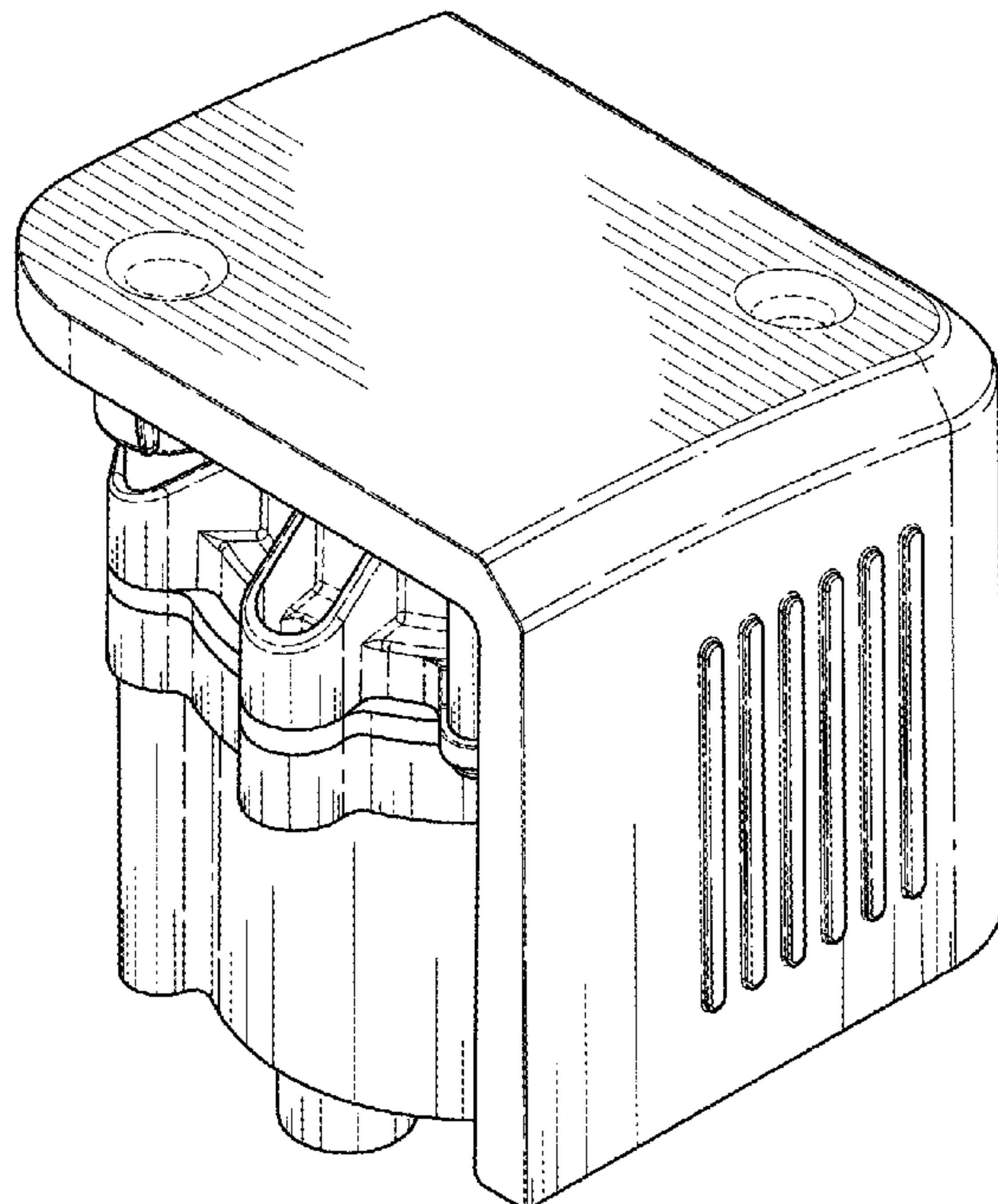
(57) **CLAIM**

The ornamental design for an ink filter housing, as shown and described.

DESCRIPTION

FIG. 1 is an isometric view of an ink filter housing showing our new design;
FIG. 2 is a top plan view thereof;
FIG. 3 is a bottom plan view thereof;
FIG. 4 is a right-side elevation view thereof;
FIG. 5 is left-side elevation view thereof;
FIG. 6 is a front elevation view thereof; and,
FIG. 7 is a rear elevation view thereof.
The broken lines shown in the figures are for the purpose of illustrating portions of the ink filter housing and form no part of the claimed design.

1 Claim, 4 Drawing Sheets



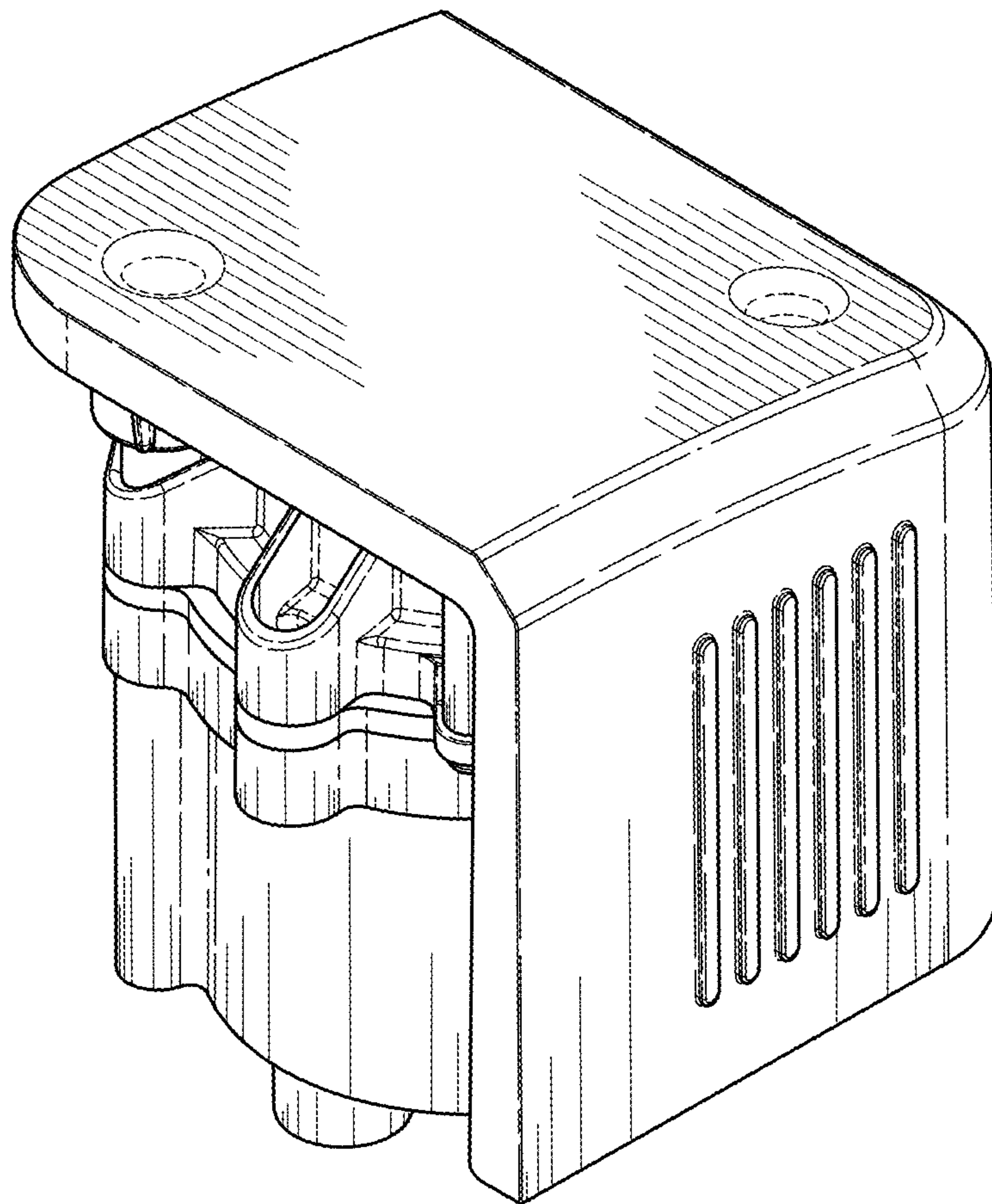


FIG. 1

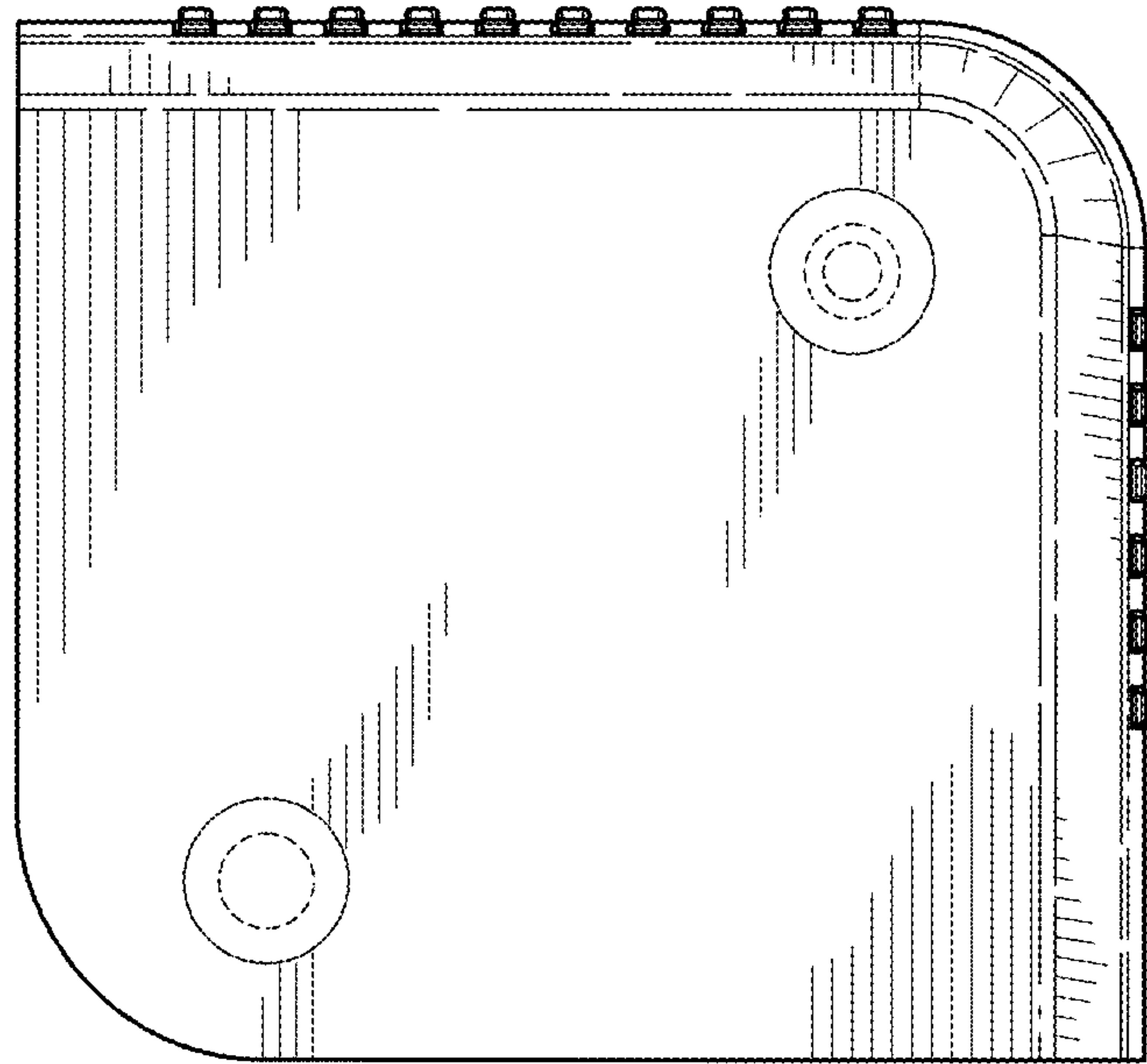


FIG. 2

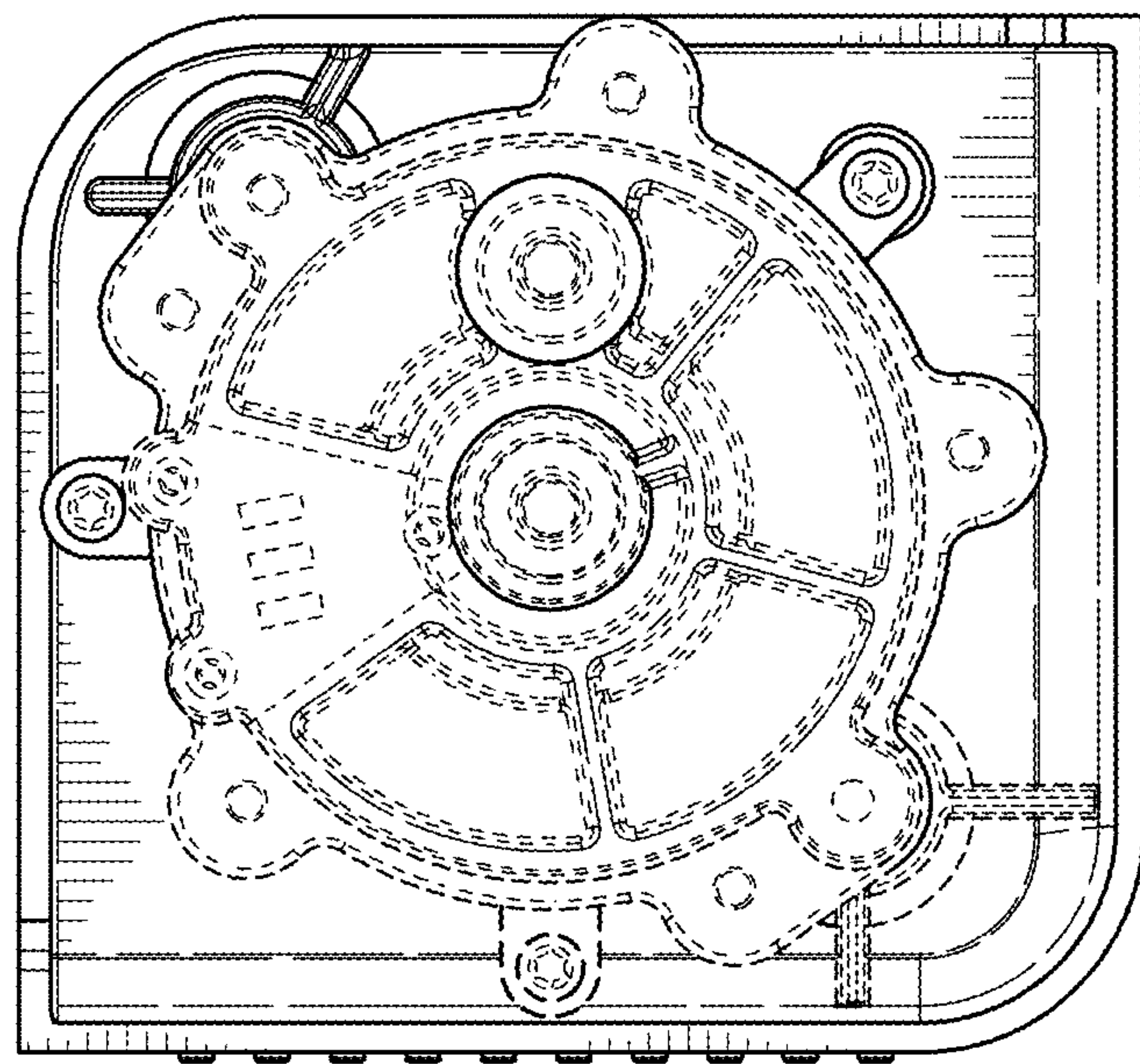


FIG. 3

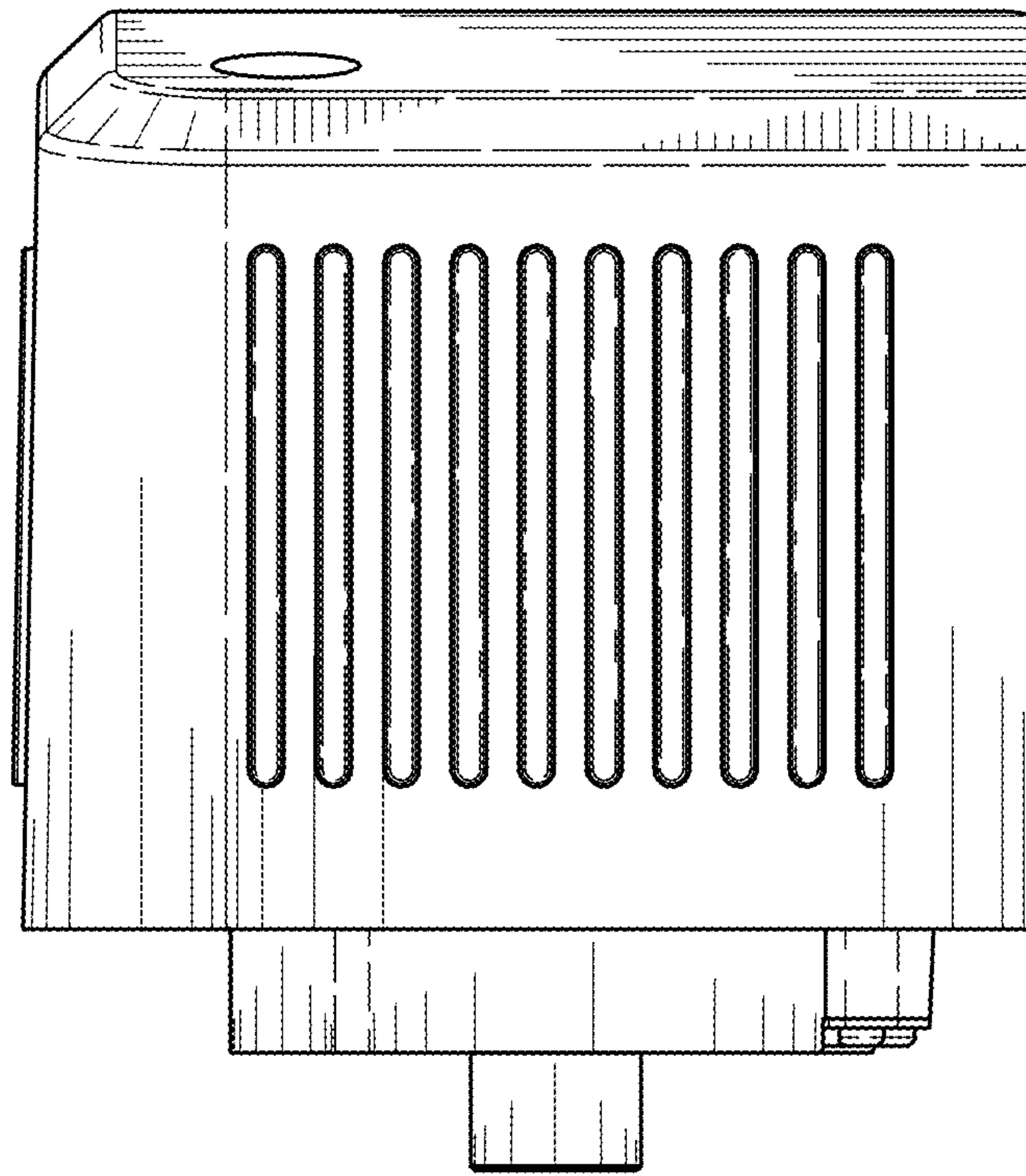


FIG. 4

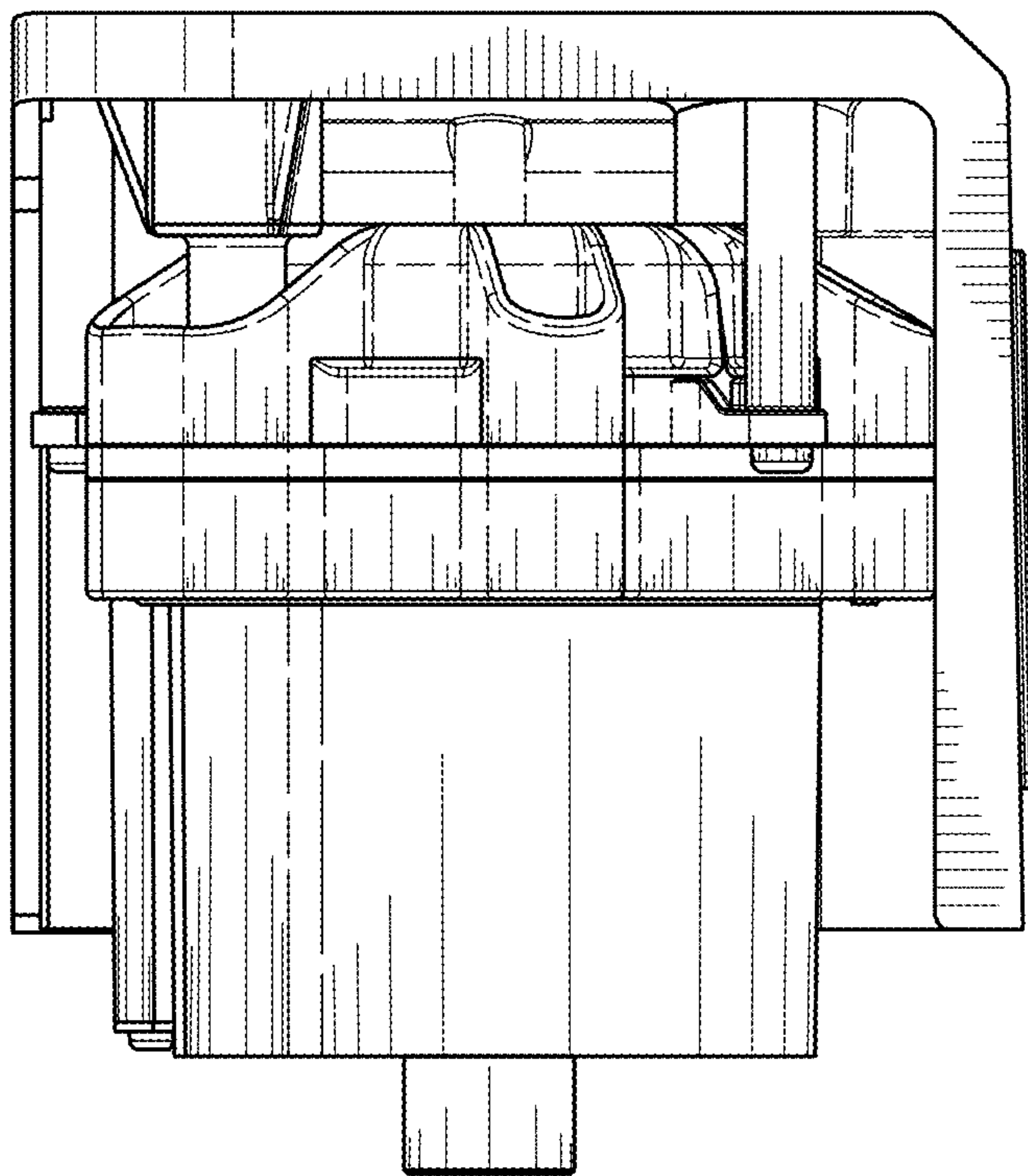


FIG. 5

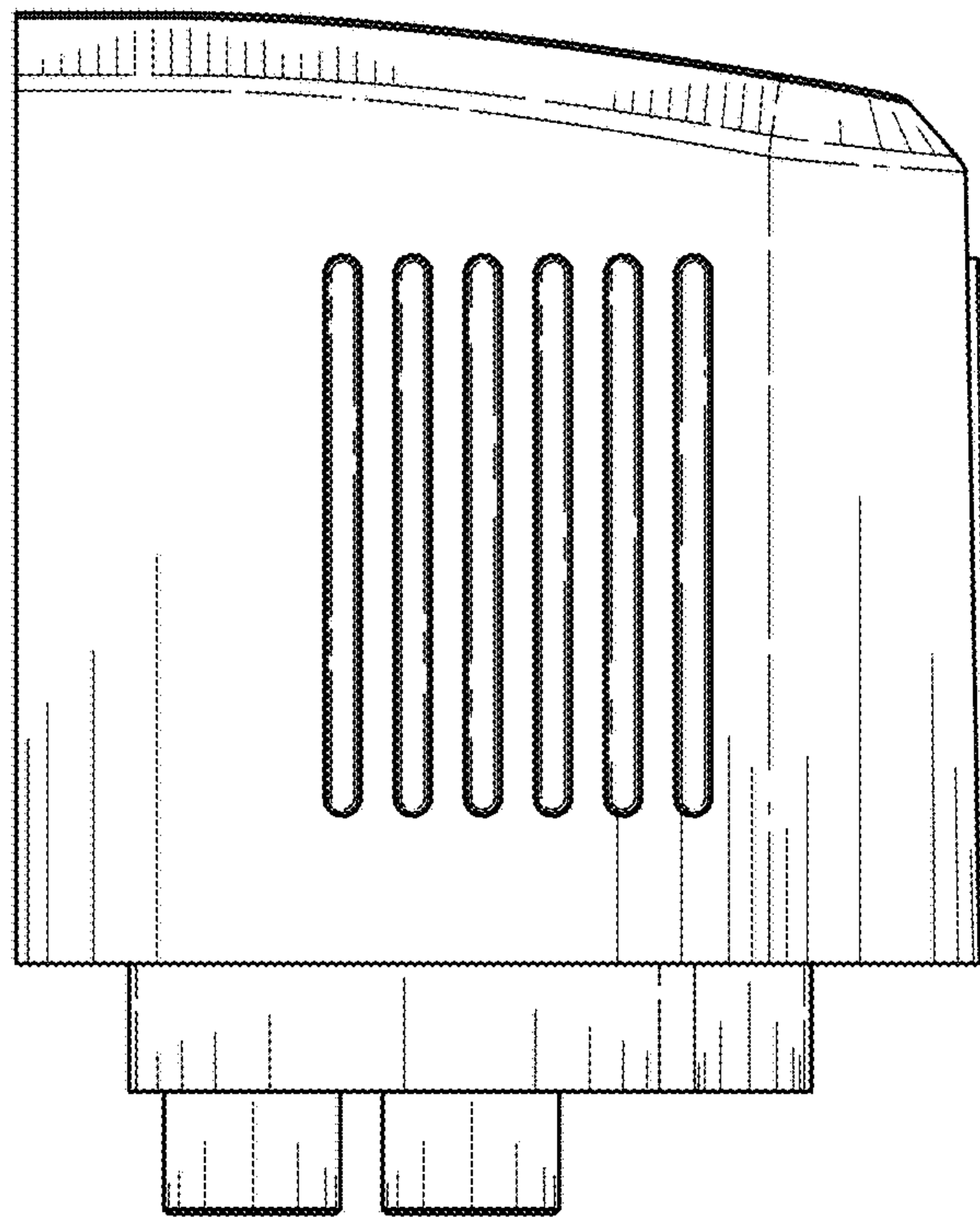


FIG. 6

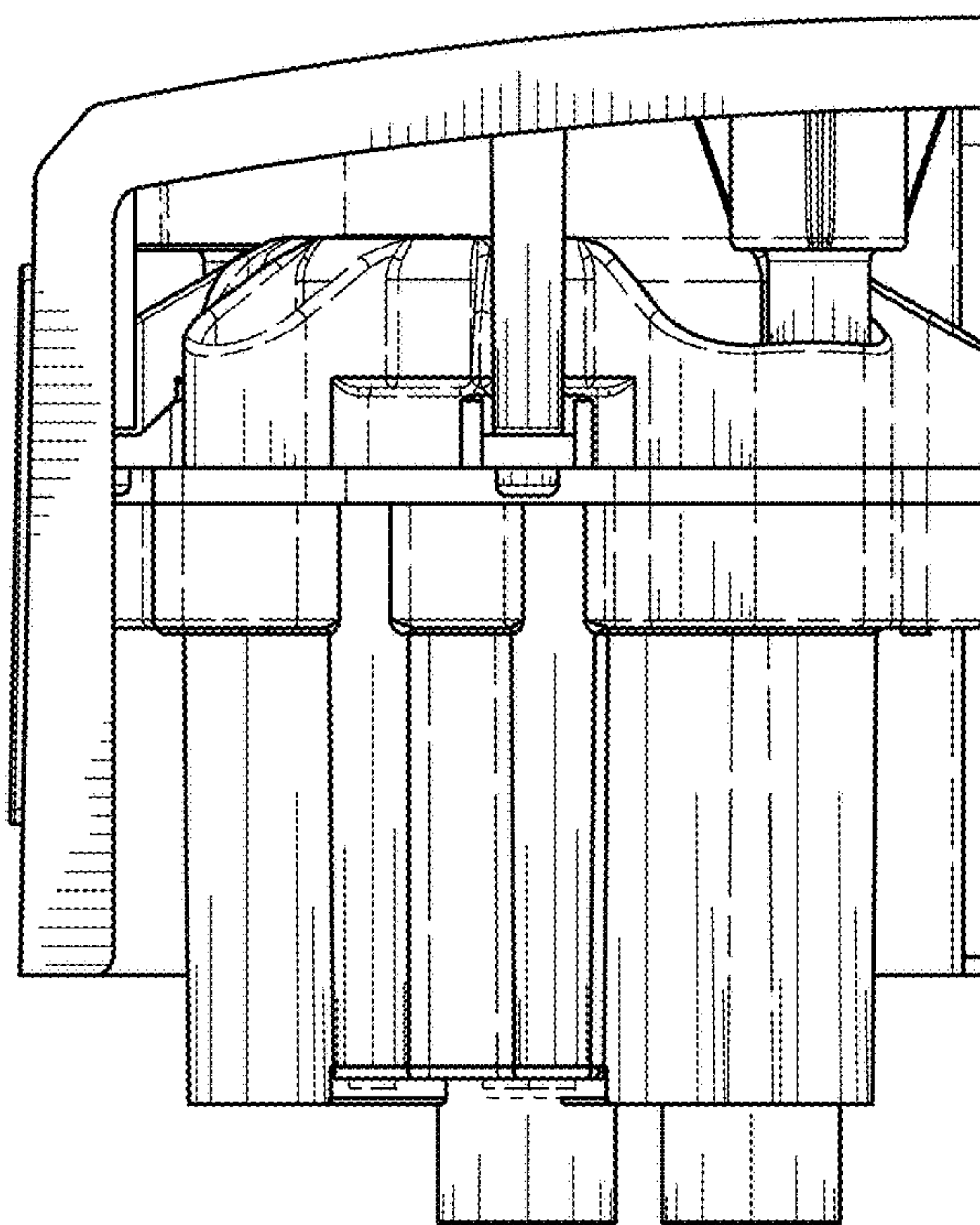


FIG. 7