



US00D806164S

(12) **United States Design Patent** (10) **Patent No.:** **US D806,164 S**
Smith et al. (45) **Date of Patent:** **** Dec. 26, 2017**

(54) **SERVICE MODULE**
(71) Applicant: **VIDEOJET TECHNOLOGIES INC.**,
Wood Dale, IL (US)
(72) Inventors: **Robert Smith**, Northants (GB); **David**
Doswell, Cambs (GB)
(73) Assignee: **Videojet Technologies Inc.**, Wood
Dale, IL (US)

D489,756 S * 5/2004 Matsumoto D18/56
D539,340 S * 3/2007 Shibata 347/86
D609,272 S * 2/2010 Lecheheb D18/56
D665,019 S * 8/2012 Hatch D18/56
D665,842 S * 8/2012 Hatch D18/56
8,708,470 B1 * 4/2014 Blowfield B41J 2/17523
347/86
D712,465 S * 9/2014 Lecheheb D18/56
2017/0008283 A1 * 1/2017 Nigel B41J 2/025

(**) Term: **15 Years**

* cited by examiner

(21) Appl. No.: **29/567,248**

Primary Examiner — Cynthia Ramirez

Assistant Examiner — Michael Maharajh

(22) Filed: **Jun. 7, 2016**

(74) *Attorney, Agent, or Firm* — Robert J. Follett

(51) **LOC (10) Cl.** **18-02**

(57) **CLAIM**

(52) **U.S. Cl.**
USPC **D18/56**

The ornamental design for a “service module”, as shown and described.

(58) **Field of Classification Search**
USPC D18/4.5, 12, 14, 18, 56, 34.5, 40, 34.9,
D18/99, 36, 37, 38, 39, 41, 44, 45, 46,
D18/47, 48, 49, 50, 51, 52, 53, 54, 55;
D14/129, 130, 299, 301, 307, 421, 432,
D14/471, 483; 399/388; 101/113;
355/97; 271/3.14; D15/138, 199;
347/29, 33, 36, 73, 86–87
CPC G06F 21/60; G06F 9/466; G06F 8/35
See application file for complete search history.

DESCRIPTION

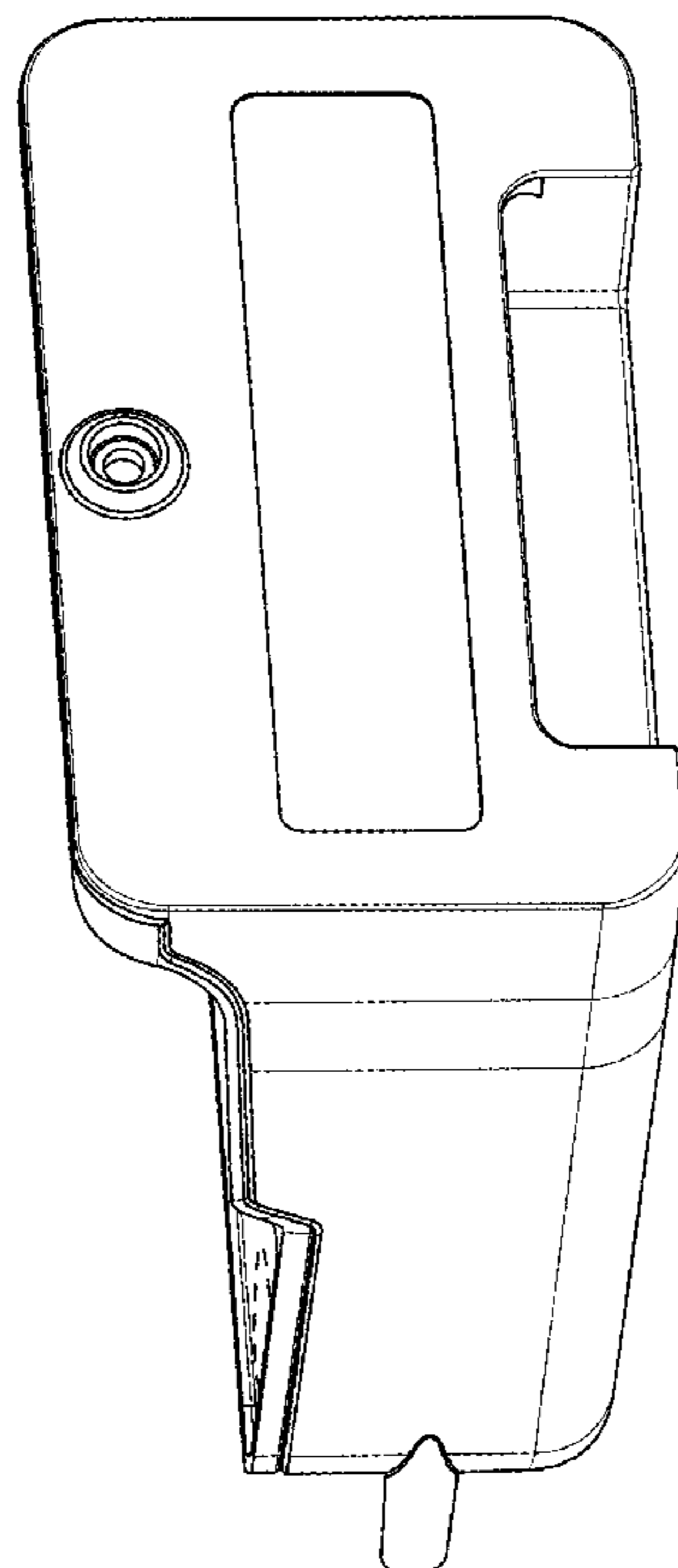
FIG. 1 is an isometric view of a service module, showing our new design;
FIG. 2 is a front elevation view thereof;
FIG. 3 is a rear elevation view thereof;
FIG. 4 is a right-side elevation view thereof;
FIG. 5 is a left-side elevation view thereof;
FIG. 6 is a top plan view thereof; and,
FIG. 7 is a bottom plan view thereof.
The broken lines in the figures are for the purpose of illustrating portions of the service module and form no part of the claimed design.

(56) **References Cited**

U.S. PATENT DOCUMENTS

D390,259 S * 2/1998 Inoue 347/86
D477,020 S * 7/2003 Seino 347/86

1 Claim, 5 Drawing Sheets



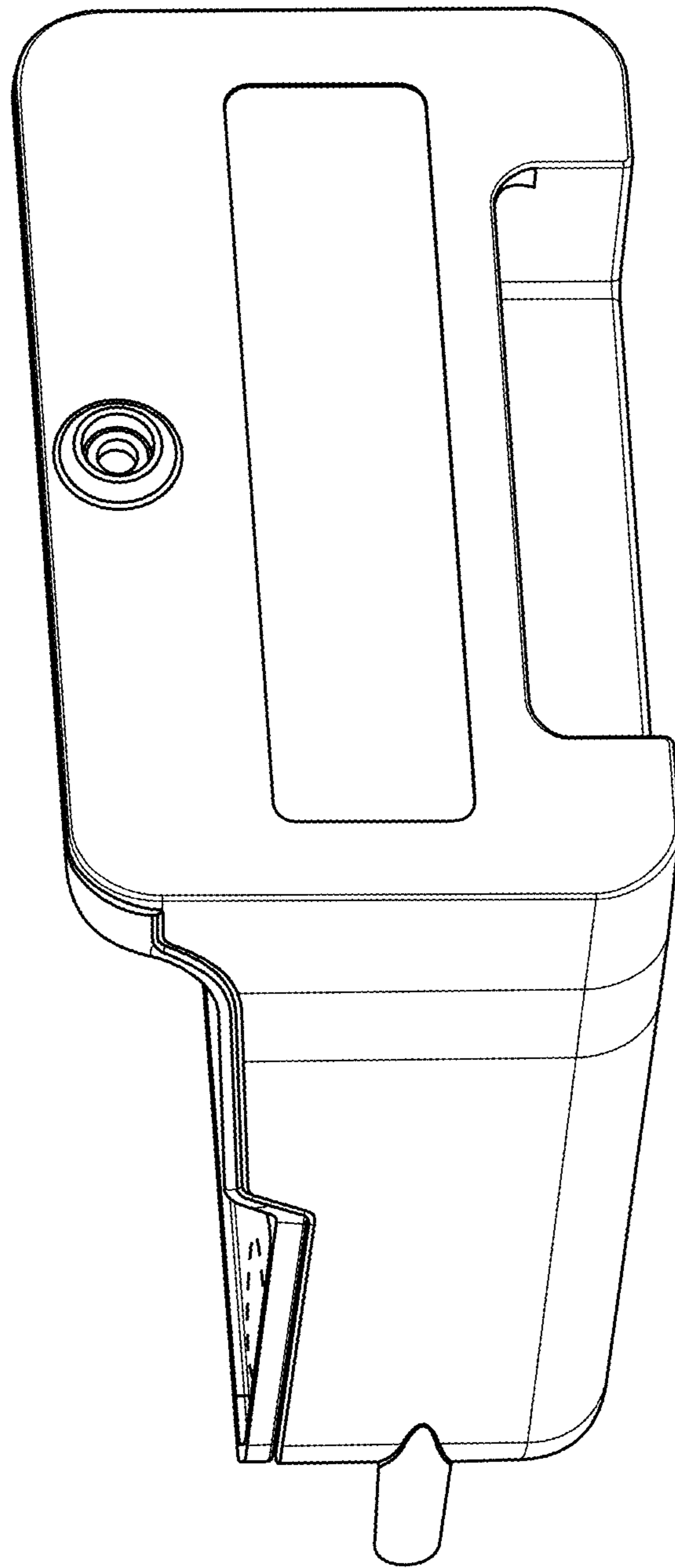


FIG. 1

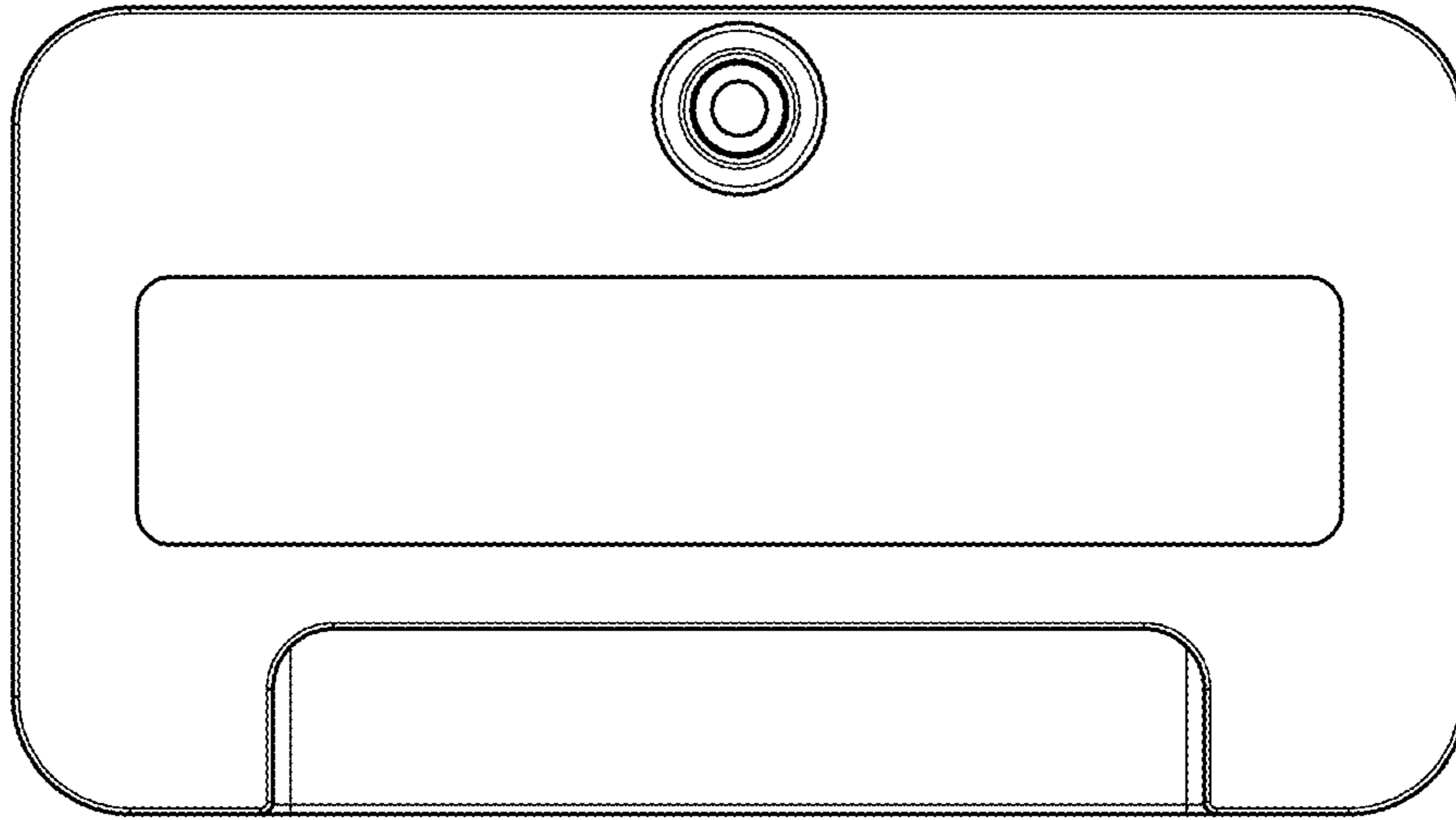


FIG. 2

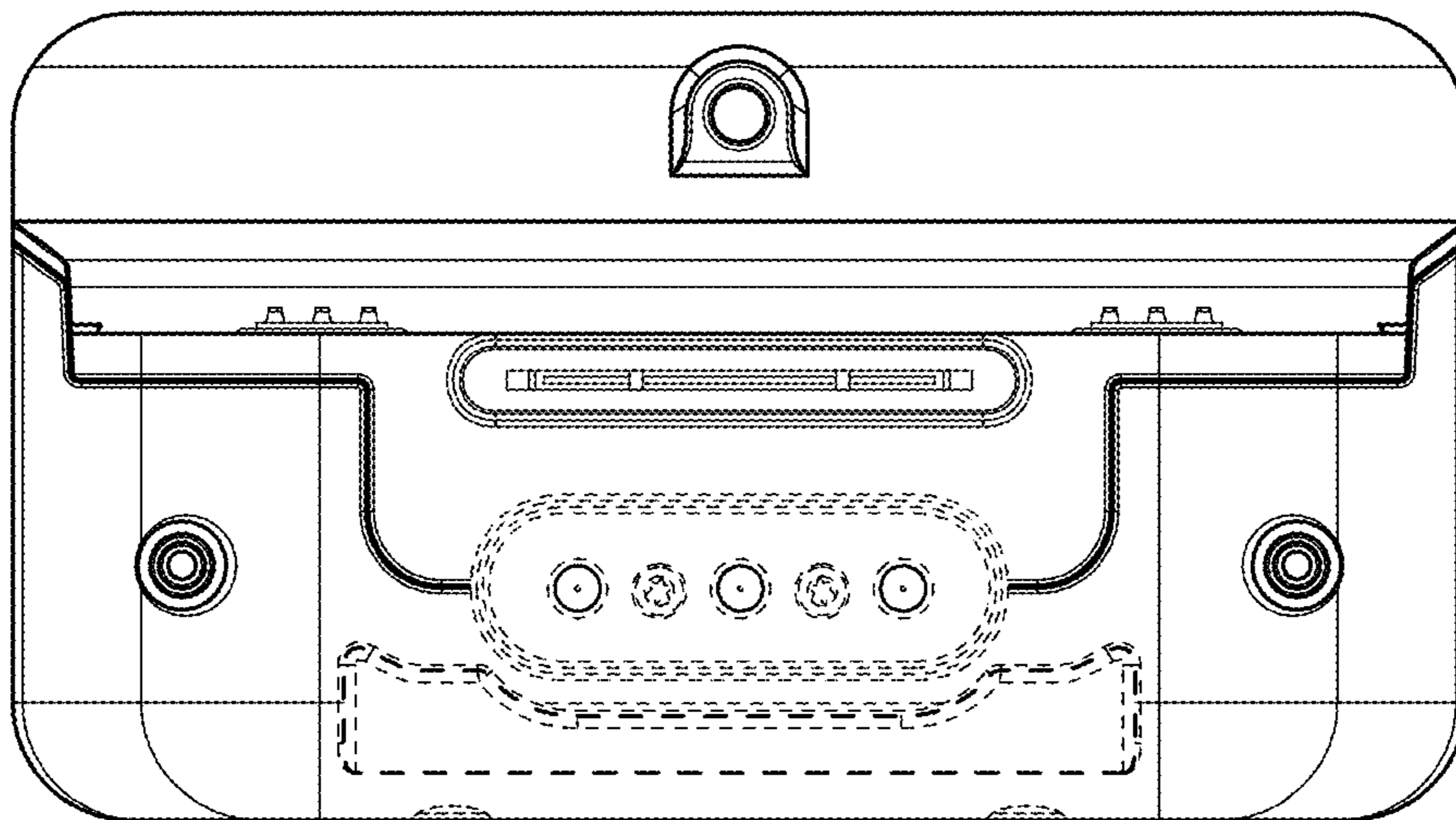


FIG. 3

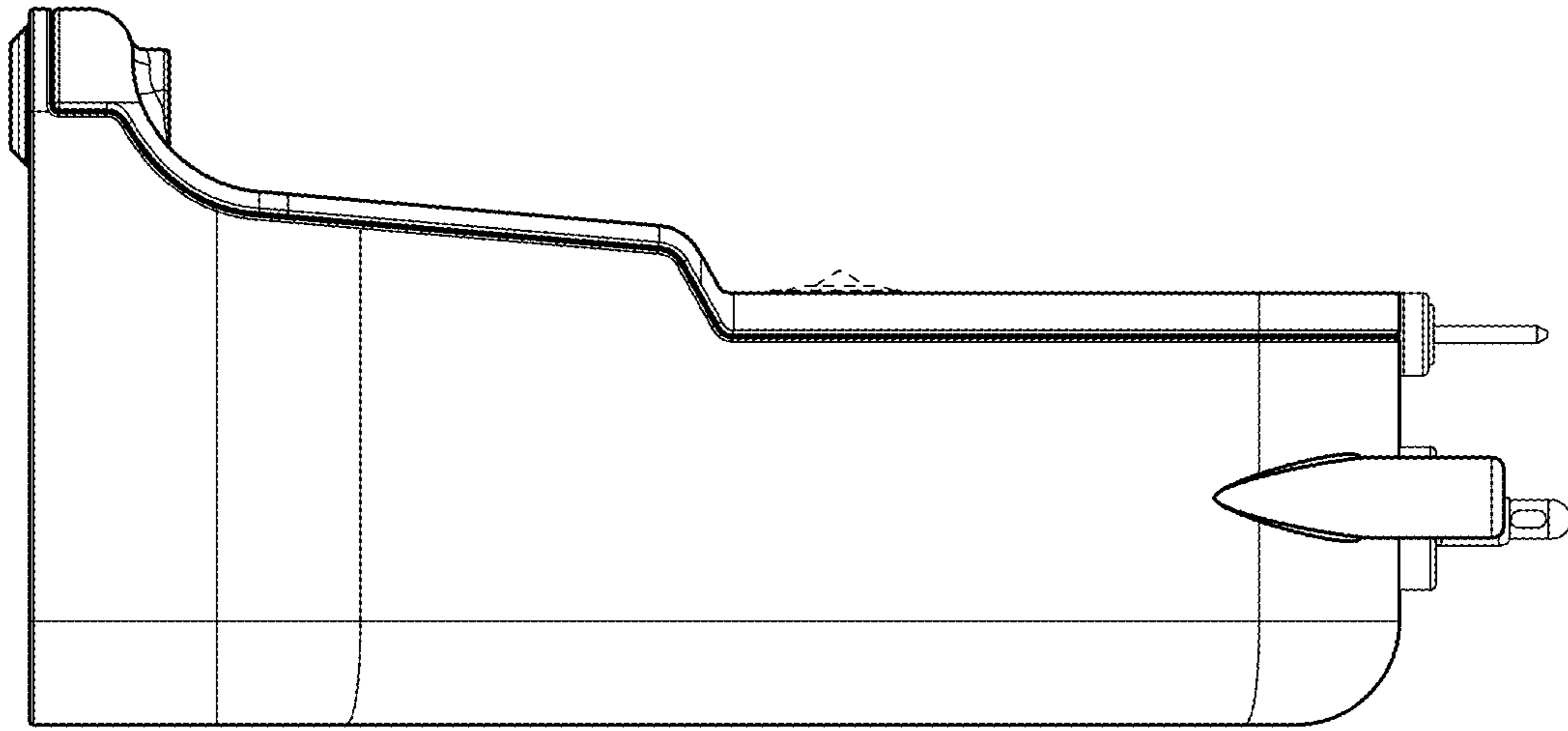


FIG. 4

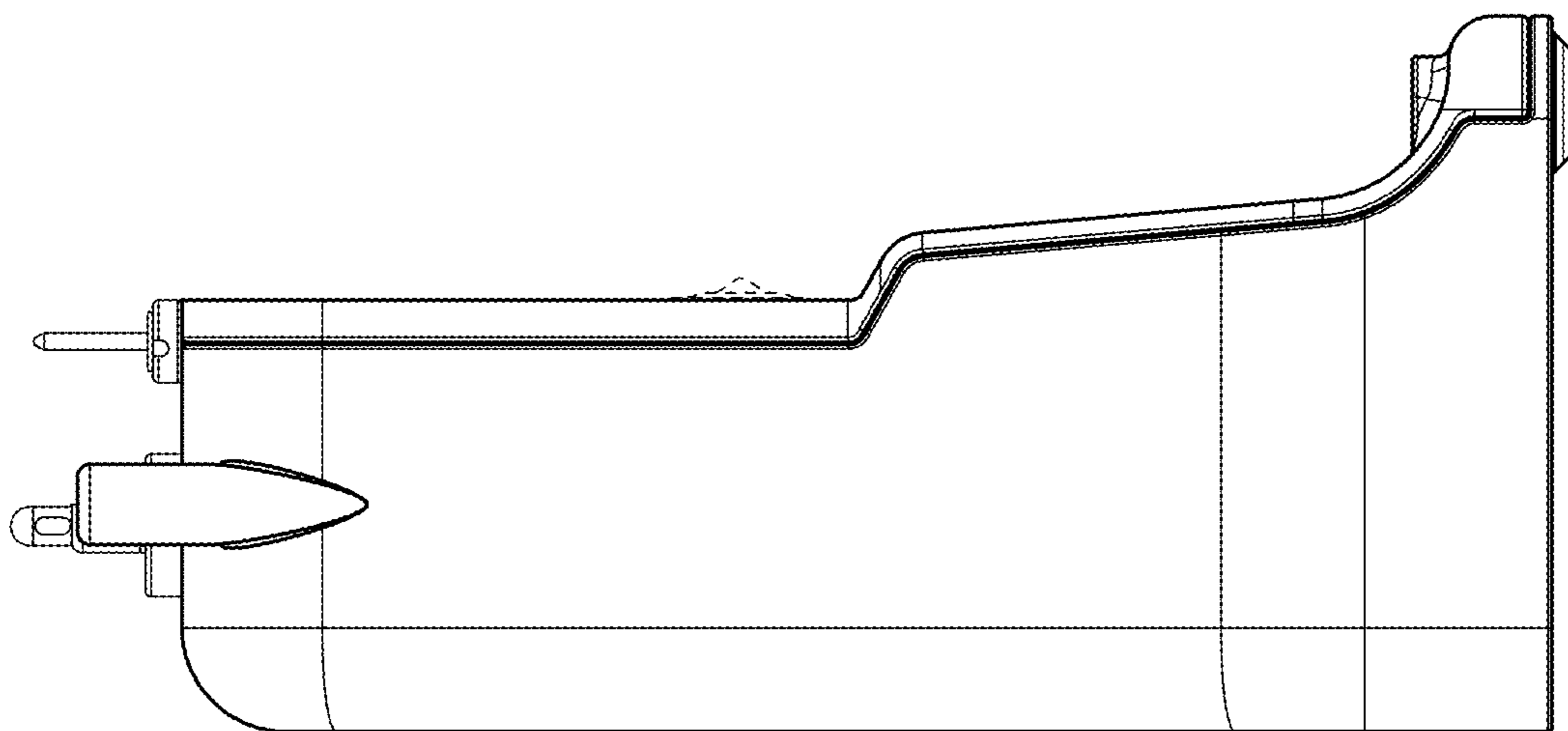


FIG. 5

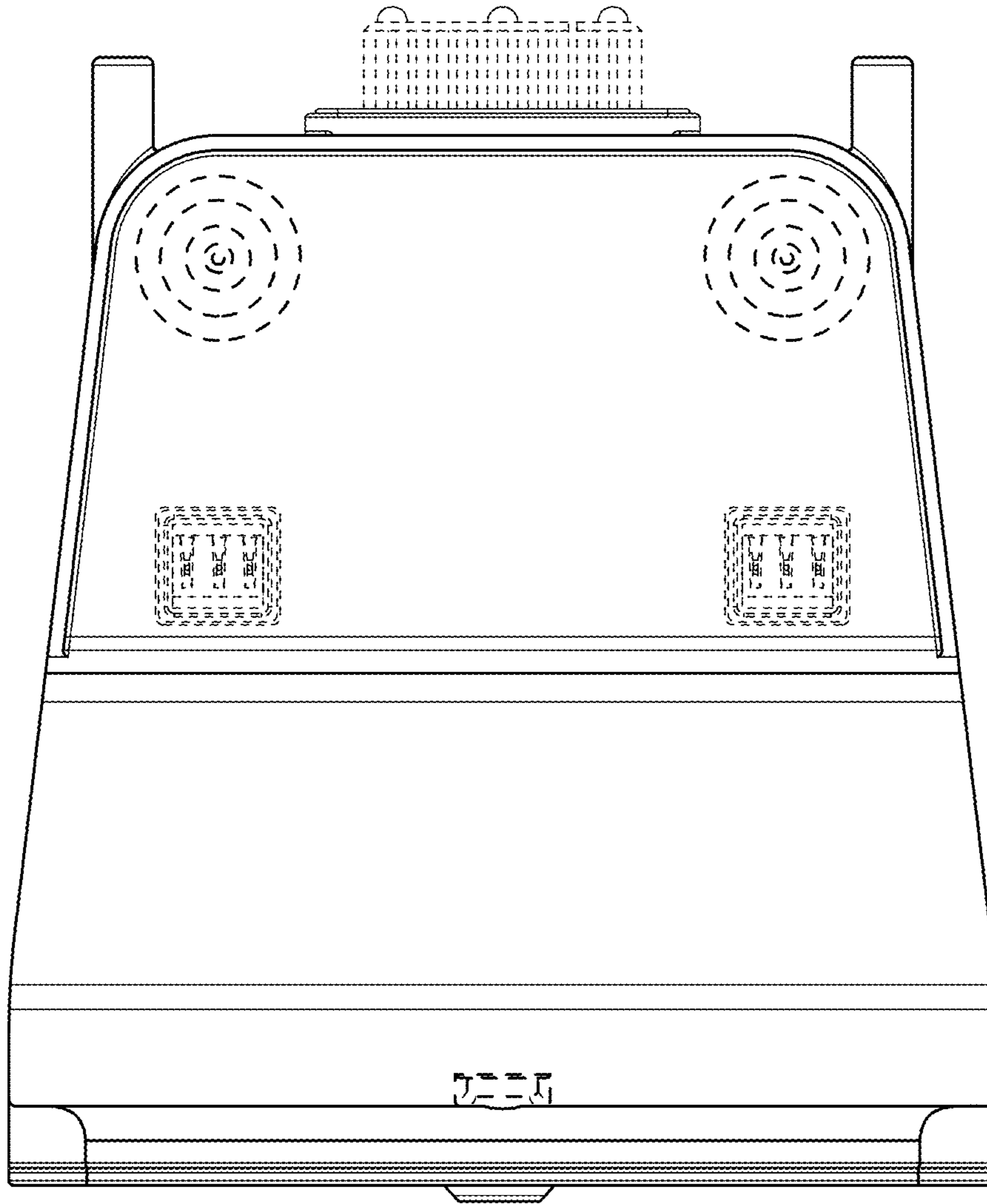


FIG. 6

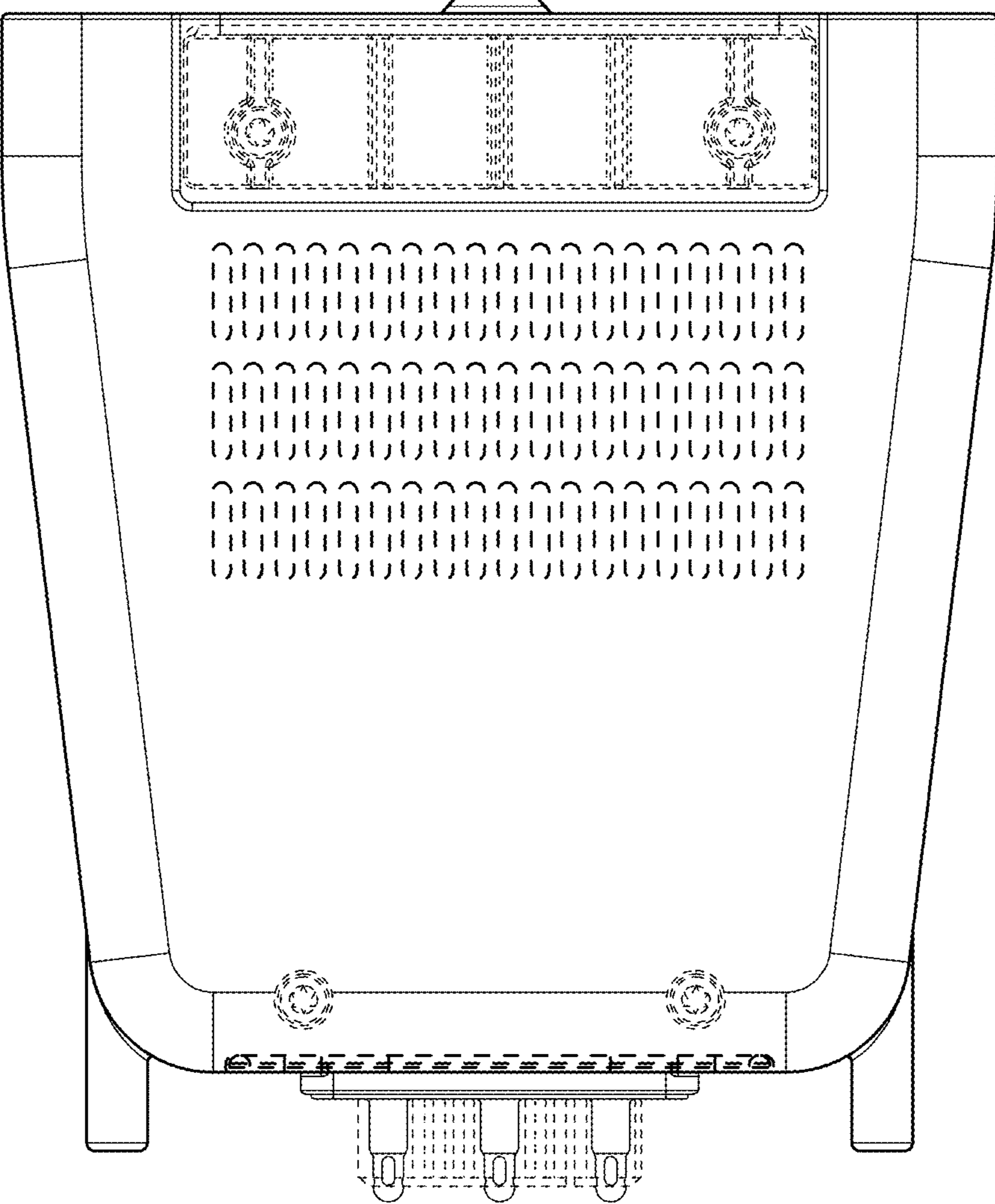


FIG. 7