



US00D806162S

(12) **United States Design Patent**
Tashima

(10) **Patent No.:** **US D806,162 S**

(45) **Date of Patent:** **** Dec. 26, 2017**

(54) **PRINTER**

(71) Applicant: **BROTHER INDUSTRIES, LTD.**,
Nagoya-shi, Aichi-ken (JP)

(72) Inventor: **Kazuhisa Tashima**, Nagoya (JP)

(73) Assignee: **BROTHER INDUSTRIES, LTD.**,
Nagoya (JP)

(**) Term: **15 Years**

(21) Appl. No.: **29/571,079**

(22) Filed: **Jul. 14, 2016**

(30) **Foreign Application Priority Data**

Jan. 14, 2016 (JP) 2016-564

(51) **LOC (10) Cl.** **18-02**

(52) **U.S. Cl.**
USPC **D18/50**

(58) **Field of Classification Search**
USPC D18/50, 55, 36-37, 39; 347/3
CPC B41J 11/58; B41J 15/12; B41J 15/042;
G06K 15/12; G06K 15/14
See application file for complete search history.

(56) **References Cited**

U.S. PATENT DOCUMENTS

D231,863 S *	6/1974	Anderson	D18/50
D350,981 S *	9/1994	Matsuda	D18/55
D562,886 S *	2/2008	Egami	D18/55
D578,494 S	10/2008	Hattori		
D601,186 S *	9/2009	Kim	D18/55
D633,139 S *	2/2011	Park	D18/55
D639,847 S	6/2011	Nakata et al.		
D641,398 S *	7/2011	Kim	D18/55
D647,131 S *	10/2011	Park	D18/55
D647,132 S *	10/2011	Kim	D18/55

D670,326 S *	11/2012	Yoshida	D18/55
D693,873 S *	11/2013	Fukasawa	D18/55
D699,784 S *	2/2014	Penke	D18/55
D722,339 S	2/2015	Nakagawa et al.		
D723,615 S	3/2015	Sato et al.		
D723,616 S *	3/2015	Nakagawa	D18/55
D724,141 S *	3/2015	Kim	D18/55
D725,183 S	3/2015	Sato et al.		
D733,216 S *	6/2015	Kuramochi	D18/50
D749,169 S *	2/2016	Kil	D18/55
D772,977 S *	11/2016	Kim	D18/55
D783,712 S *	4/2017	Kim	D18/55
D786,964 S *	5/2017	Clark, III	D18/50
D790,006 S *	6/2017	Yoshida	D18/14
D792,923 S *	7/2017	Kim	D18/55
D795,953 S *	8/2017	Clark, III	D18/55
D795,954 S *	8/2017	Hirota	D18/55
2014/0009517 A1 *	1/2014	Sasaki	B41J 3/44 347/3
2015/0225105 A1 *	8/2015	Sakaino	B65C 11/0289 118/712

(Continued)

Primary Examiner — Robin V Webster

Assistant Examiner — James C Thorn, Sr.

(74) *Attorney, Agent, or Firm* — Oliff PLC

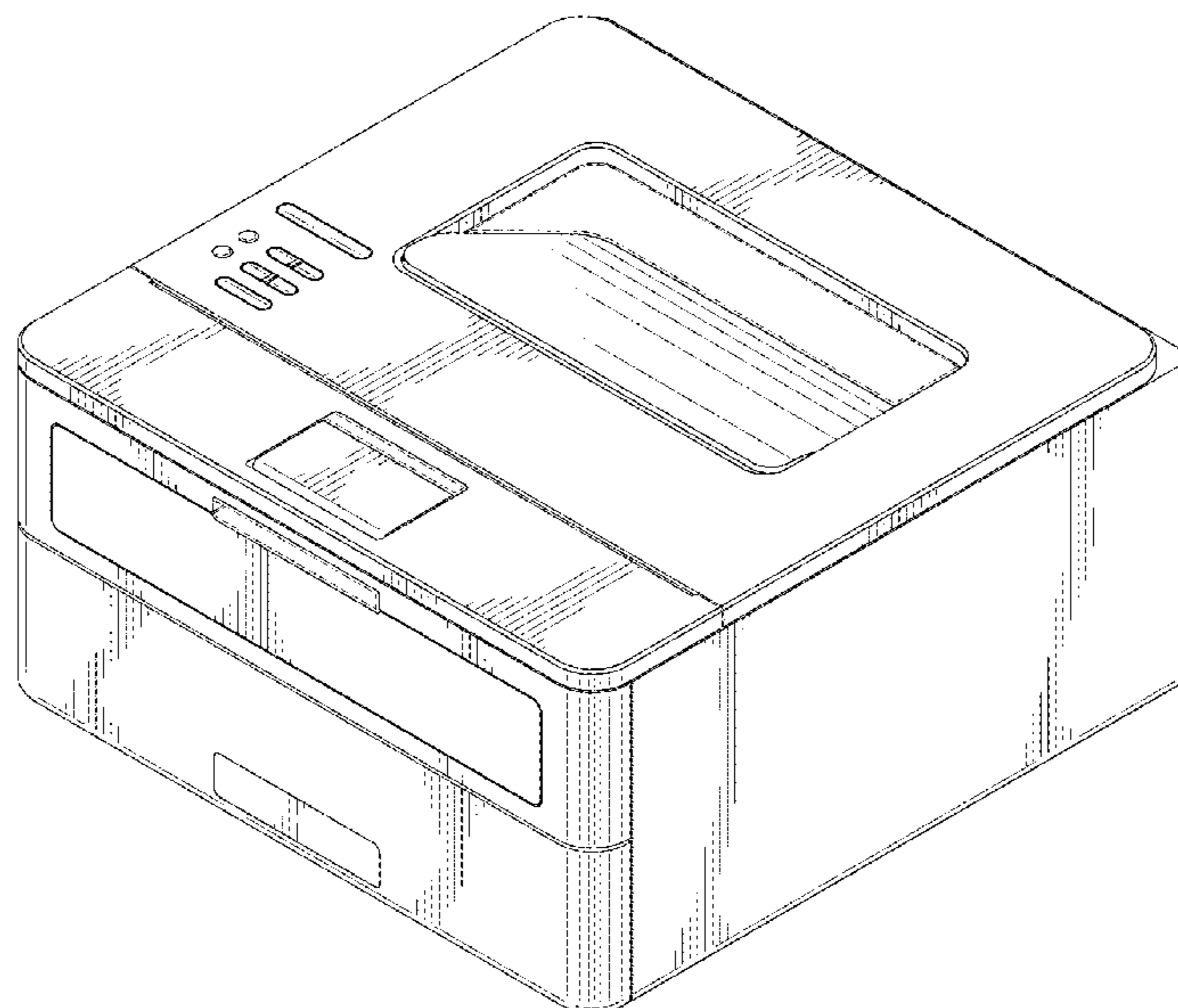
(57) **CLAIM**

The ornamental design for a printer, as shown and described.

DESCRIPTION

FIG. 1 is a perspective view of a printer;
FIG. 2 is a front view thereof;
FIG. 3 is a top view thereof;
FIG. 4 is a right-side view thereof;
FIG. 5 is a left-side view thereof;
FIG. 6 is a rear view thereof; and,
FIG. 7 is a bottom view thereof.
The broken lines shown in the drawings form no part of the claimed design.

1 Claim, 6 Drawing Sheets



(56)

References Cited

U.S. PATENT DOCUMENTS

2015/0246563 A1* 9/2015 Takabatake B41J 11/70
347/104

* cited by examiner

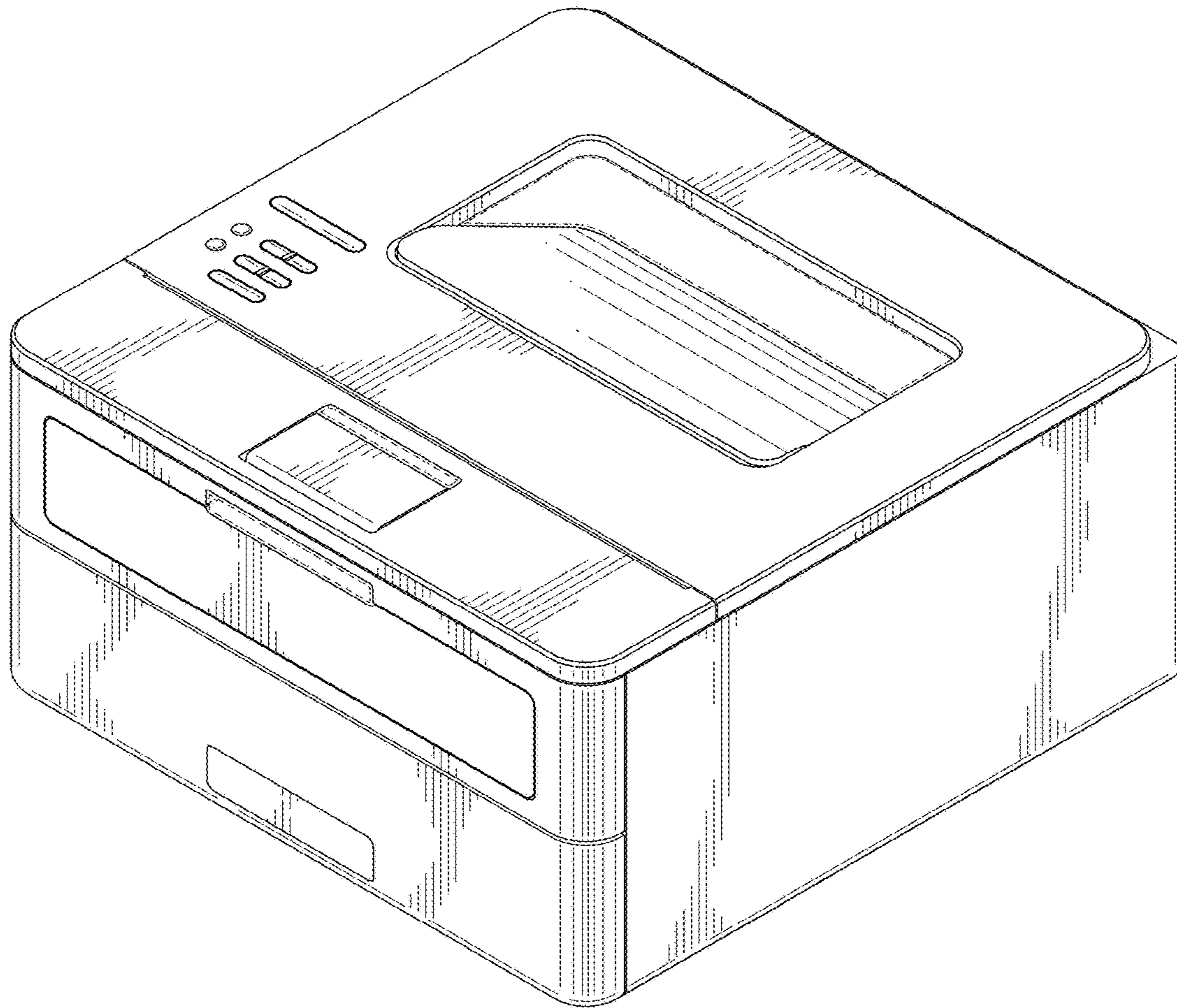


FIG. 1

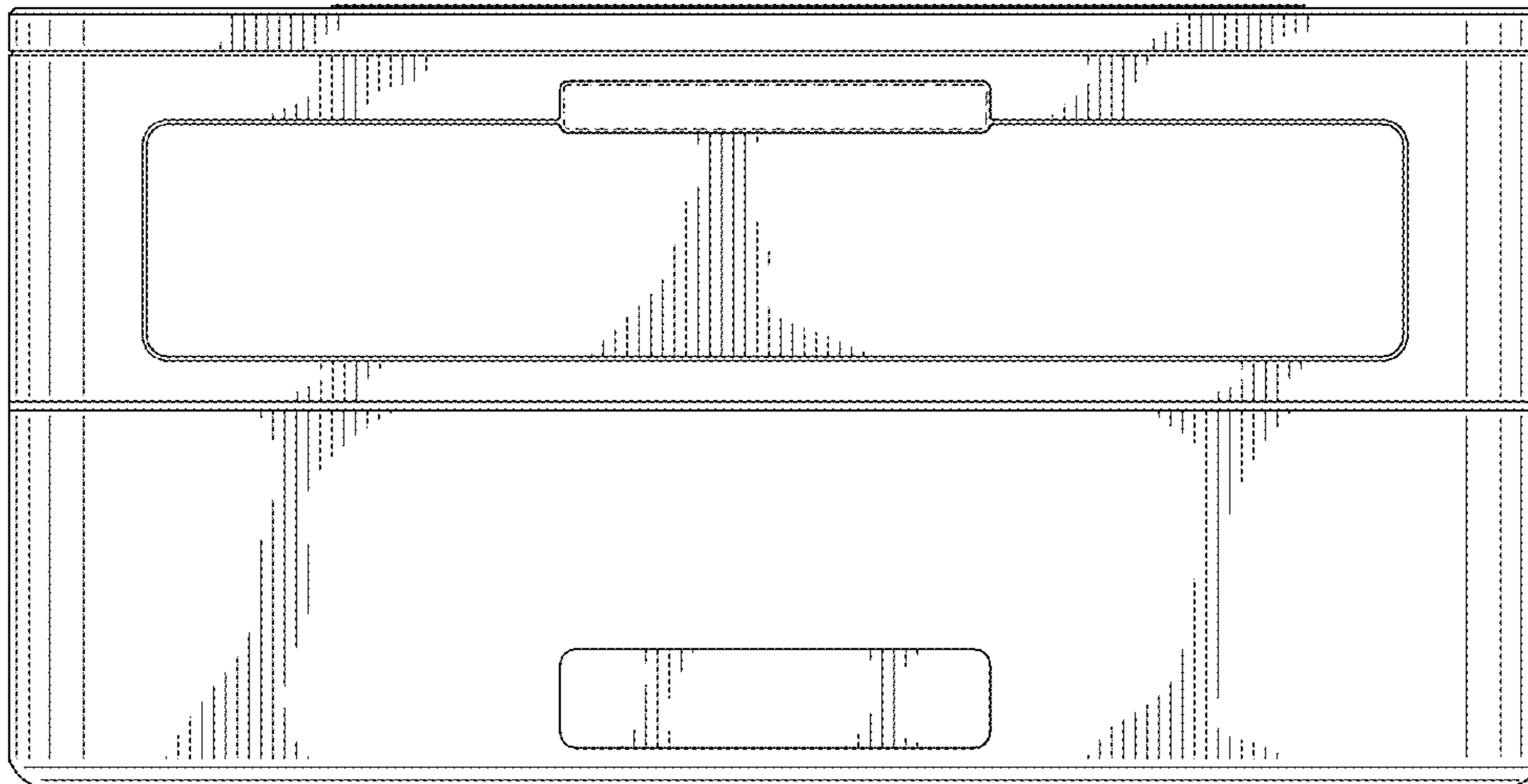


FIG. 2

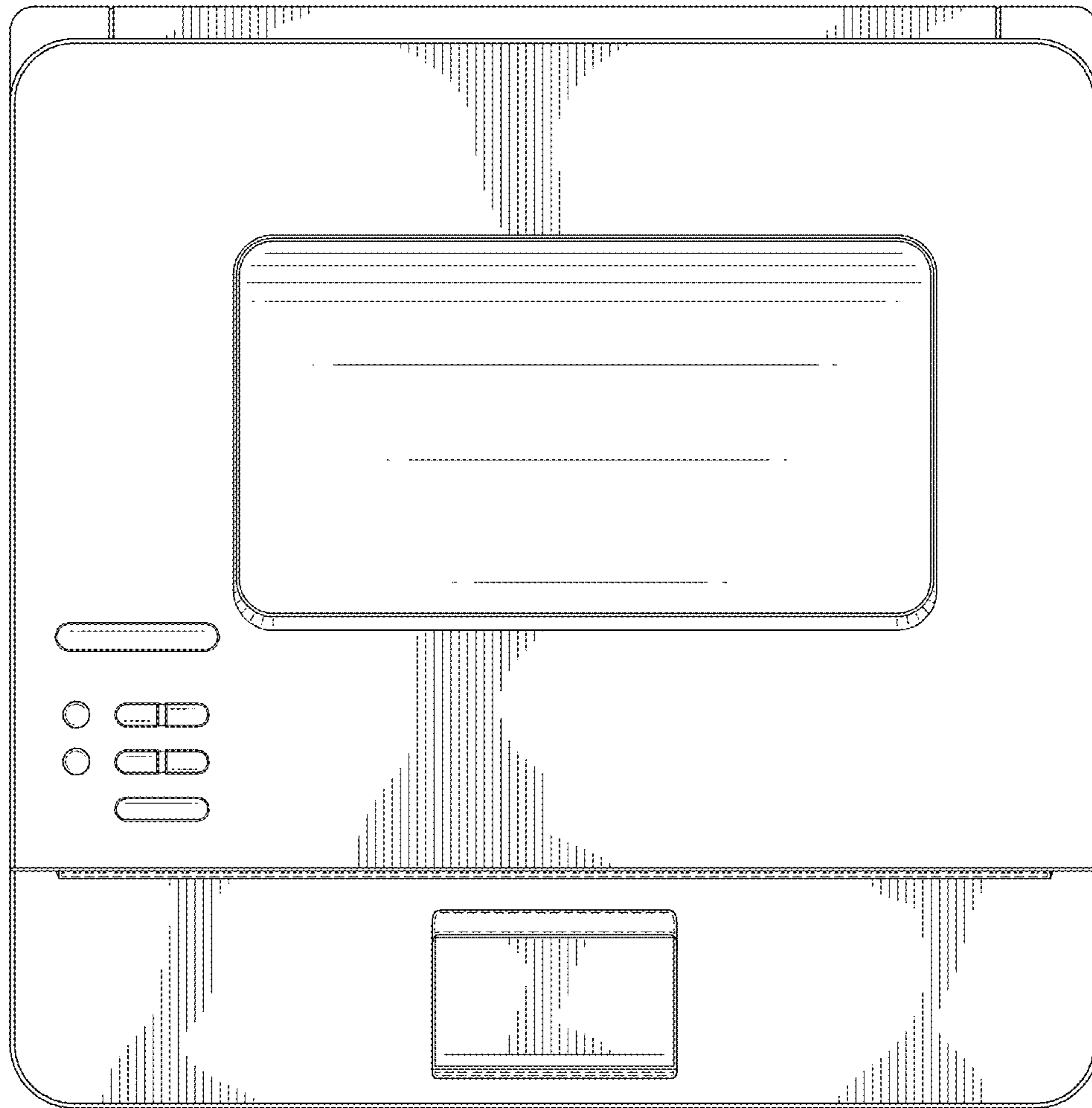


FIG. 3

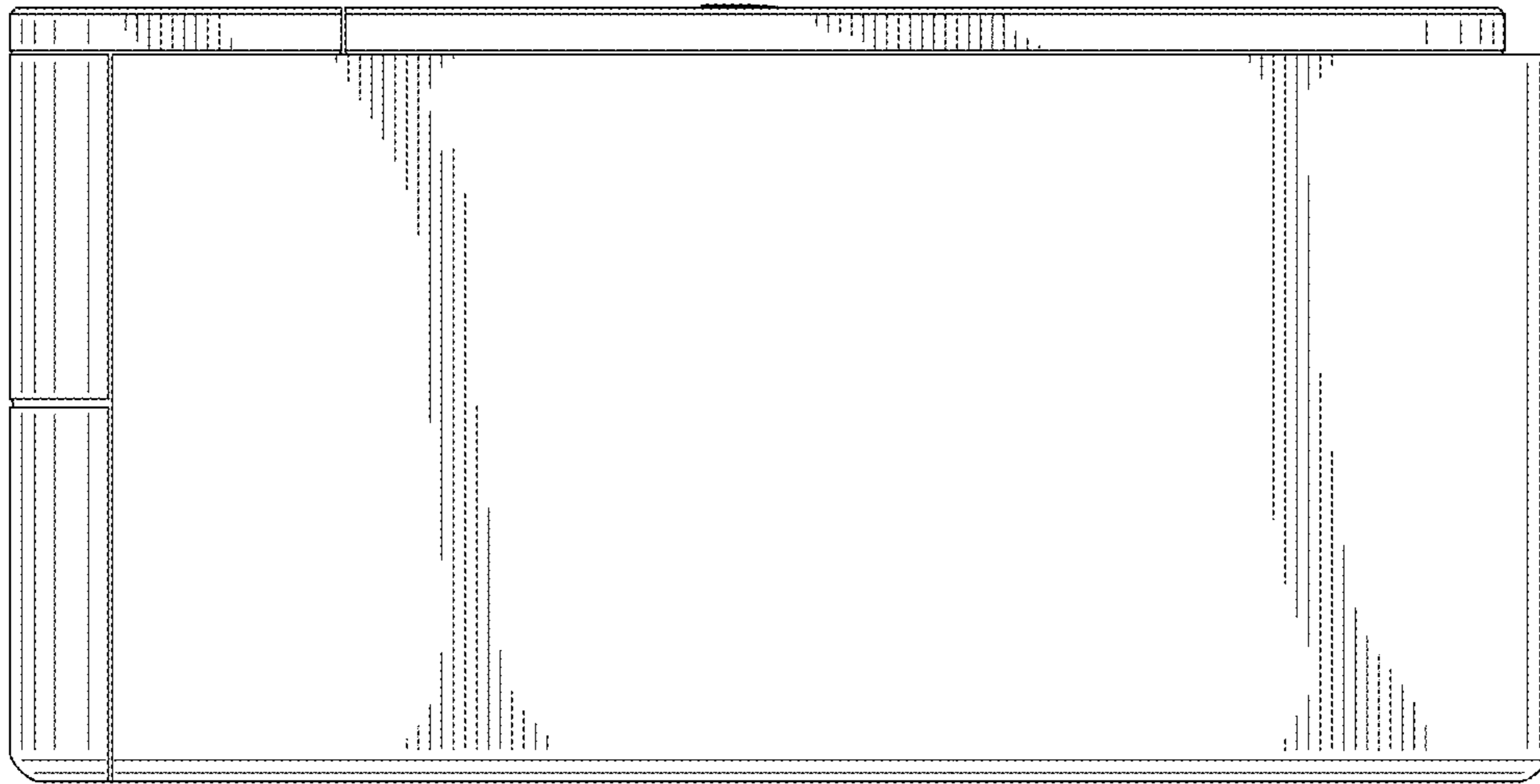


FIG. 4

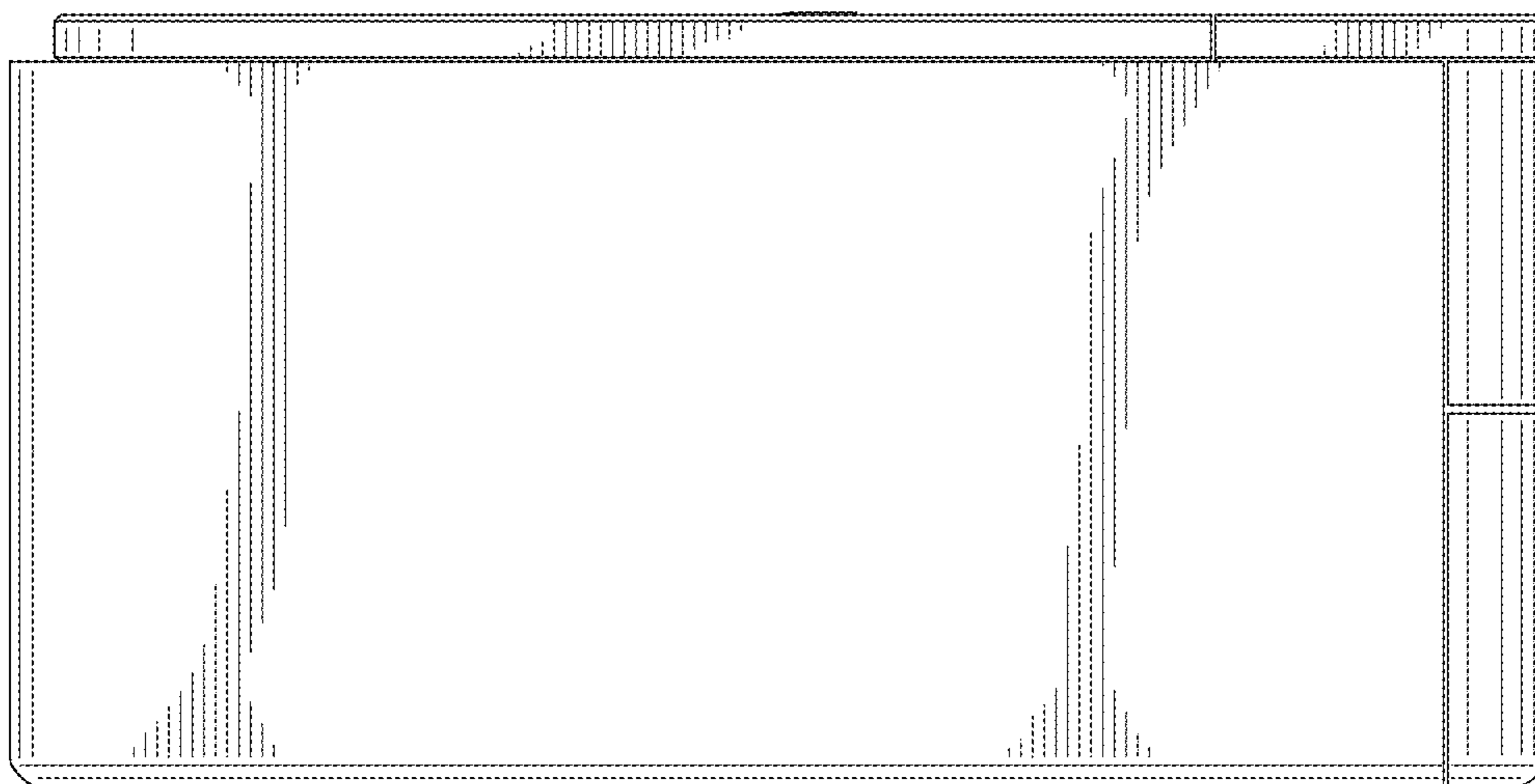


FIG. 5

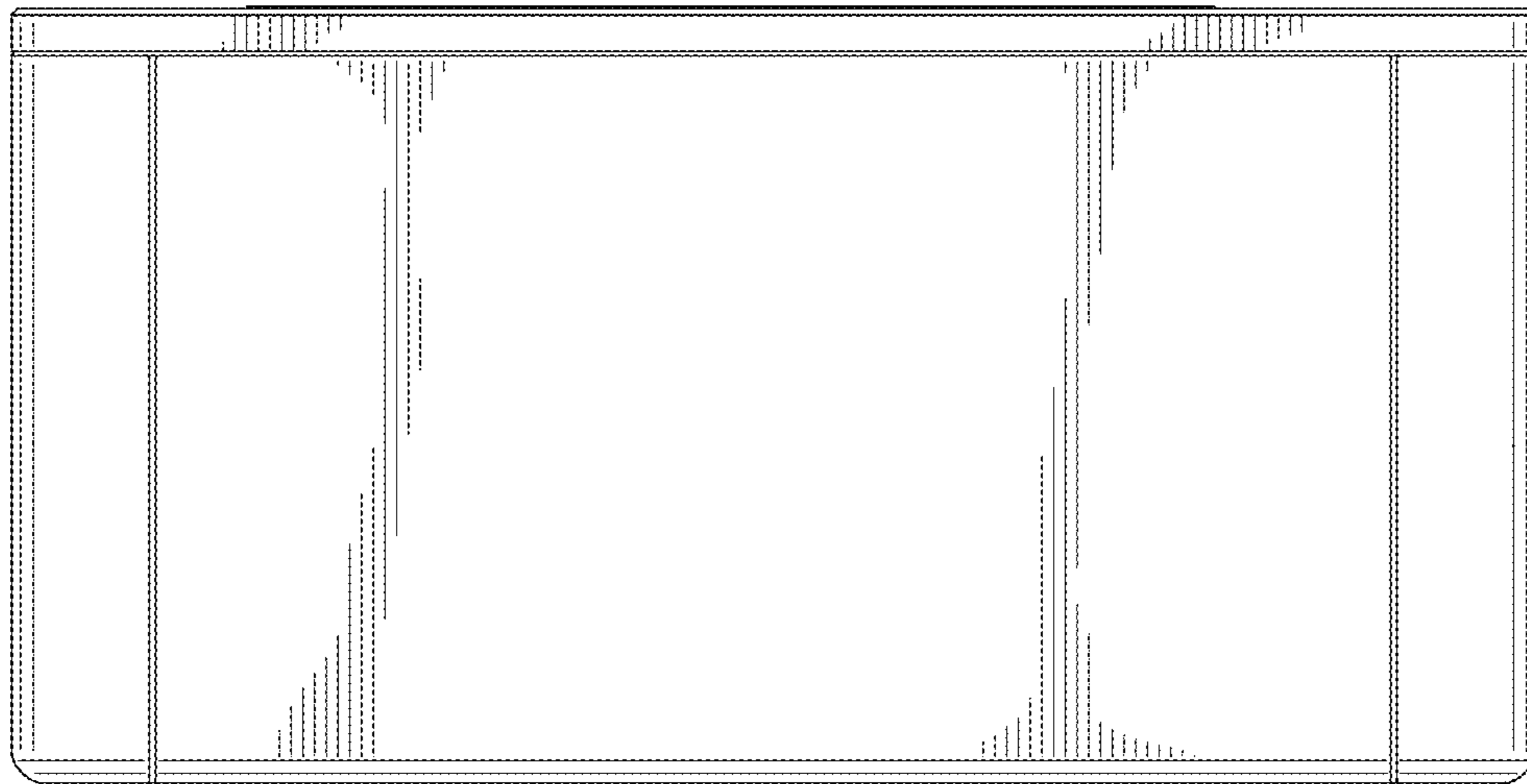


FIG.6

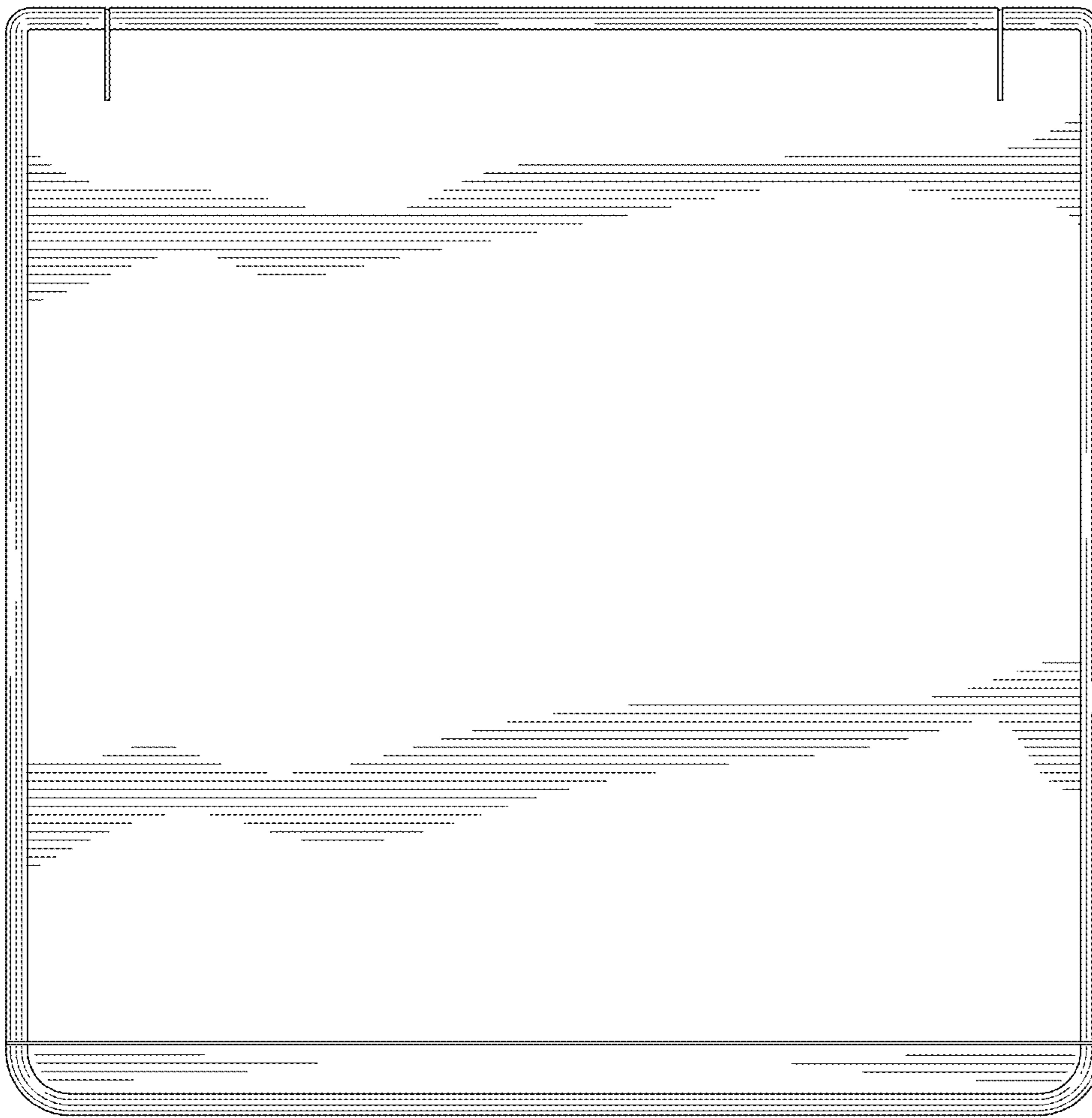


FIG. 7