



US00D806161S

(12) **United States Design Patent**
Heckler

(10) **Patent No.:** **US D806,161 S**

(45) **Date of Patent:** **** Dec. 26, 2017**

(54) **CASH DRAWER TOP**

(71) Applicant: **Hecktech, Inc.**, Phoenix, AZ (US)

(72) Inventor: **Dean Heckler**, Phoenix, AZ (US)

(73) Assignee: **Hecktech, Inc.**, Phoenix, AZ (US)

(**) Term: **15 Years**

(21) Appl. No.: **29/543,389**

(22) Filed: **Oct. 23, 2015**

(51) **LOC (10) Cl.** **18-01**

(52) **U.S. Cl.**

USPC **D18/12.1**

(58) **Field of Classification Search**

USPC D14/125-127, 230, 307, 314, 323, 336,
D14/345, 385, 422, 496, 373, 371,
D14/374-377, 341, 389; 705/16, 17;
D99/34, 43; 235/449; D18/46-49;
D3/294

CPC G07G 1/0018; G07G 1/12; G06F 21/86
See application file for complete search history.

(56) **References Cited**

U.S. PATENT DOCUMENTS

D19,708 S *	3/1890	Montieth	D99/34
D526,648 S *	8/2006	Andre	D14/314
D689,860 S *	9/2013	Chong	D14/368
D695,520 S *	12/2013	Edwards	D3/294
D710,832 S *	8/2014	Yang	D14/230
D720,394 S *	12/2014	Heckler	D18/12.1
D722,109 S *	2/2015	Nanno	D18/50
D744,483 S *	12/2015	Barbu	D14/358
D745,480 S *	12/2015	Mathews	D14/125
D769,366 S *	10/2016	Hiraguchi	D18/12.1

D779,149 S * 2/2017 Chap D18/4.4

* cited by examiner

Primary Examiner — Susan Bennett Hattan

Assistant Examiner — Brett Miller

(74) *Attorney, Agent, or Firm* — Hartman Titus PLC;
John D. Titus

(57) **CLAIM**

The ornamental design for a cash drawer top, as shown and described.

DESCRIPTION

FIG. 1 is a front perspective view of a cash drawer top showing my new design;

FIG. 2 is a front view of the cash drawer top shown in FIG. 1;

FIG. 3 is a back view of the cash drawer top shown in FIG. 1;

FIG. 4 is a top view of the cash drawer top shown in FIG. 1;

FIG. 5 is a bottom view of the cash drawer top shown in FIG. 1;

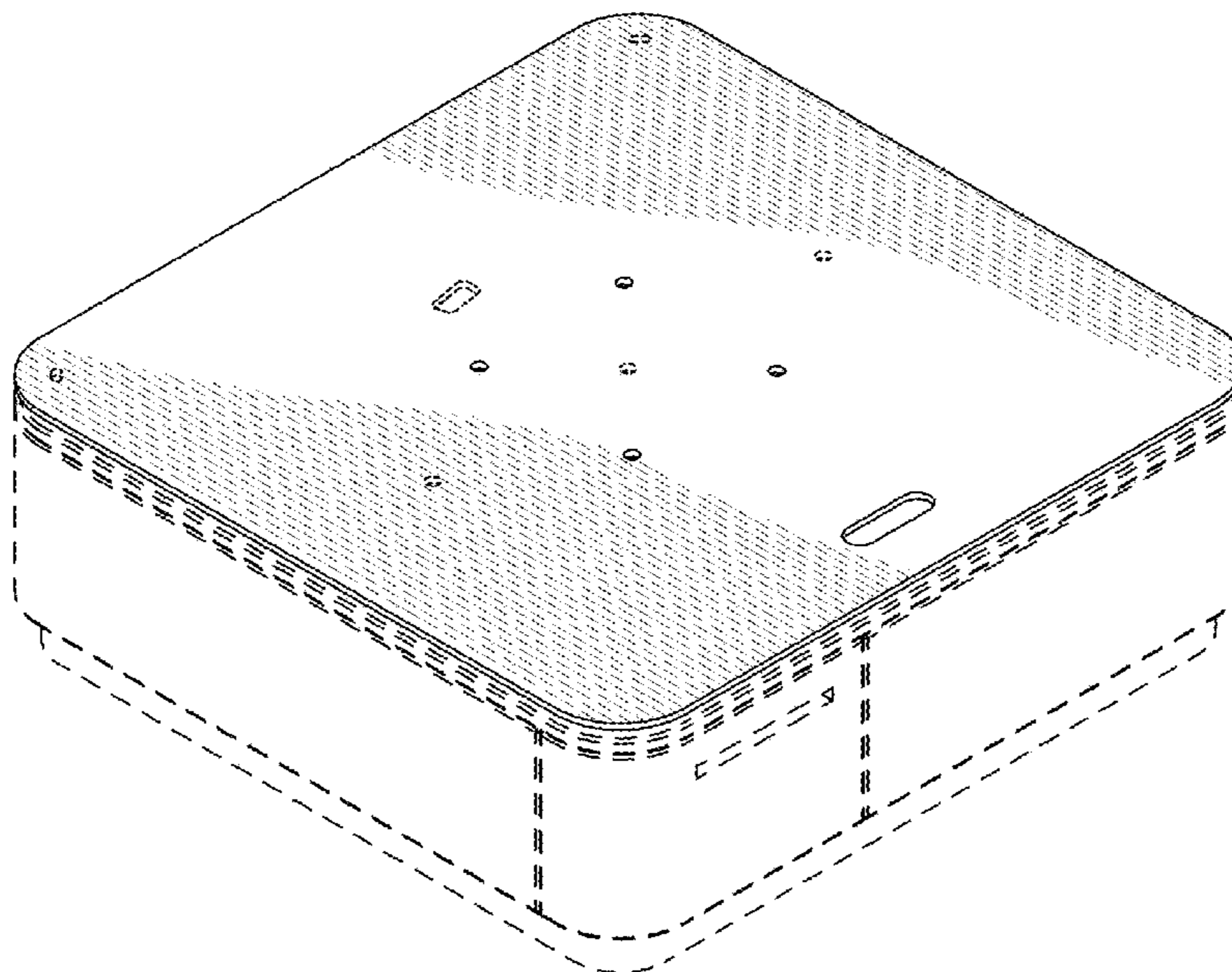
FIG. 6 is a right side view of the cash drawer top shown in FIG. 1;

FIG. 7 is a left side view of the cash drawer top shown in FIG. 1; and,

FIG. 8 is a front perspective view of an alternative embodiment of my design.

The broken lines depict environment and form no part of the claimed design. Broken lines that abut claimed surfaces act as boundaries of the claim. Features shown on the top surface are openings.

1 Claim, 6 Drawing Sheets



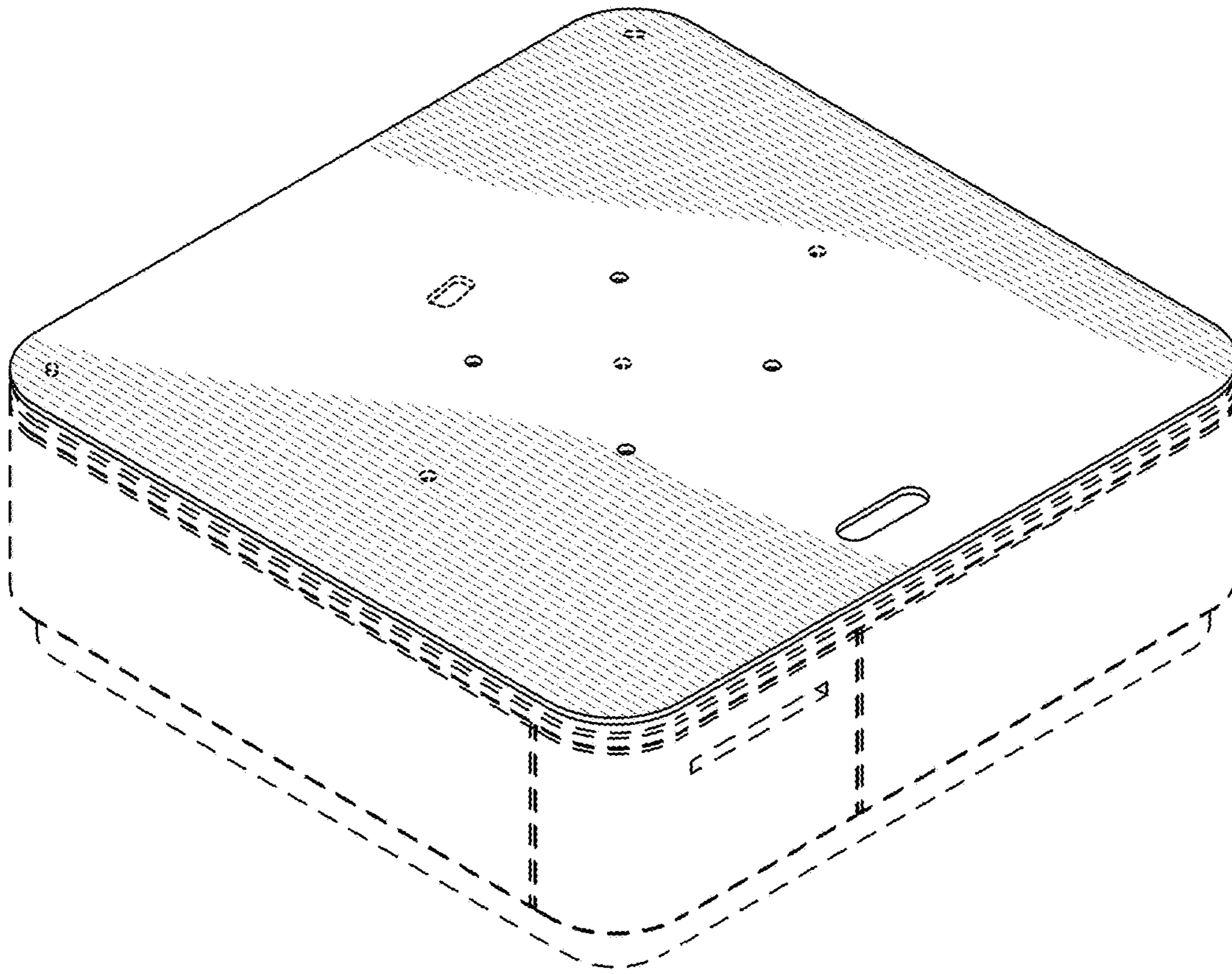


Fig. 1

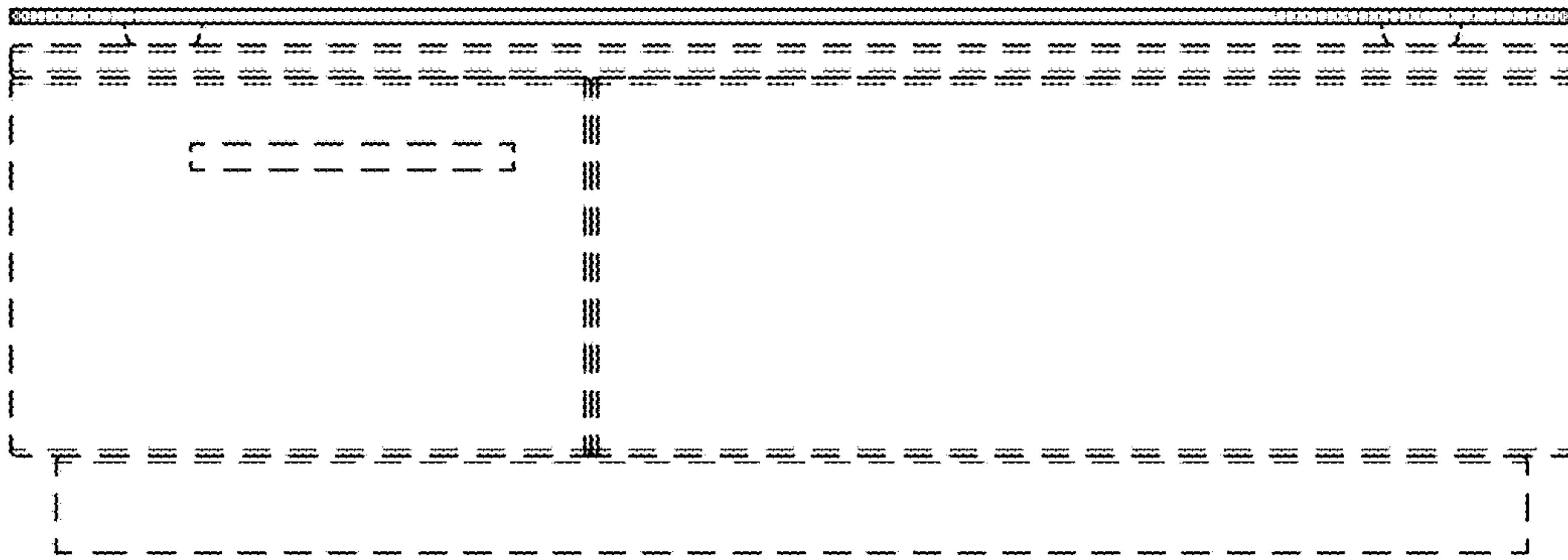


Fig. 2

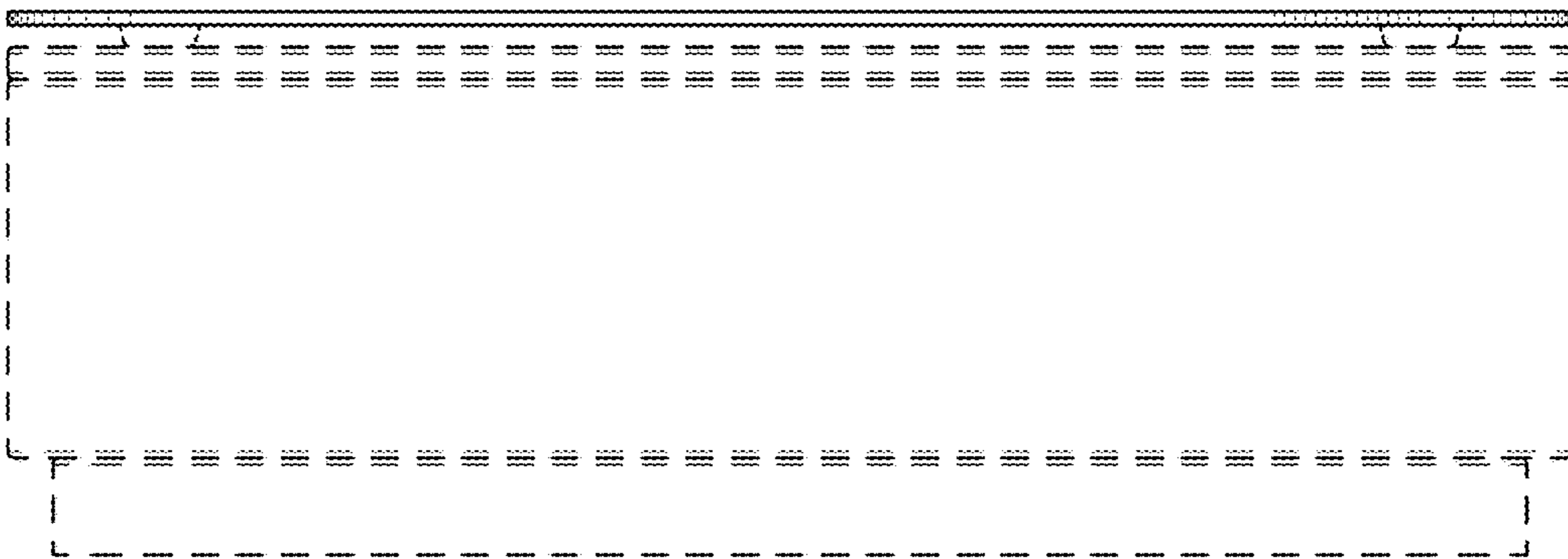


Fig. 3

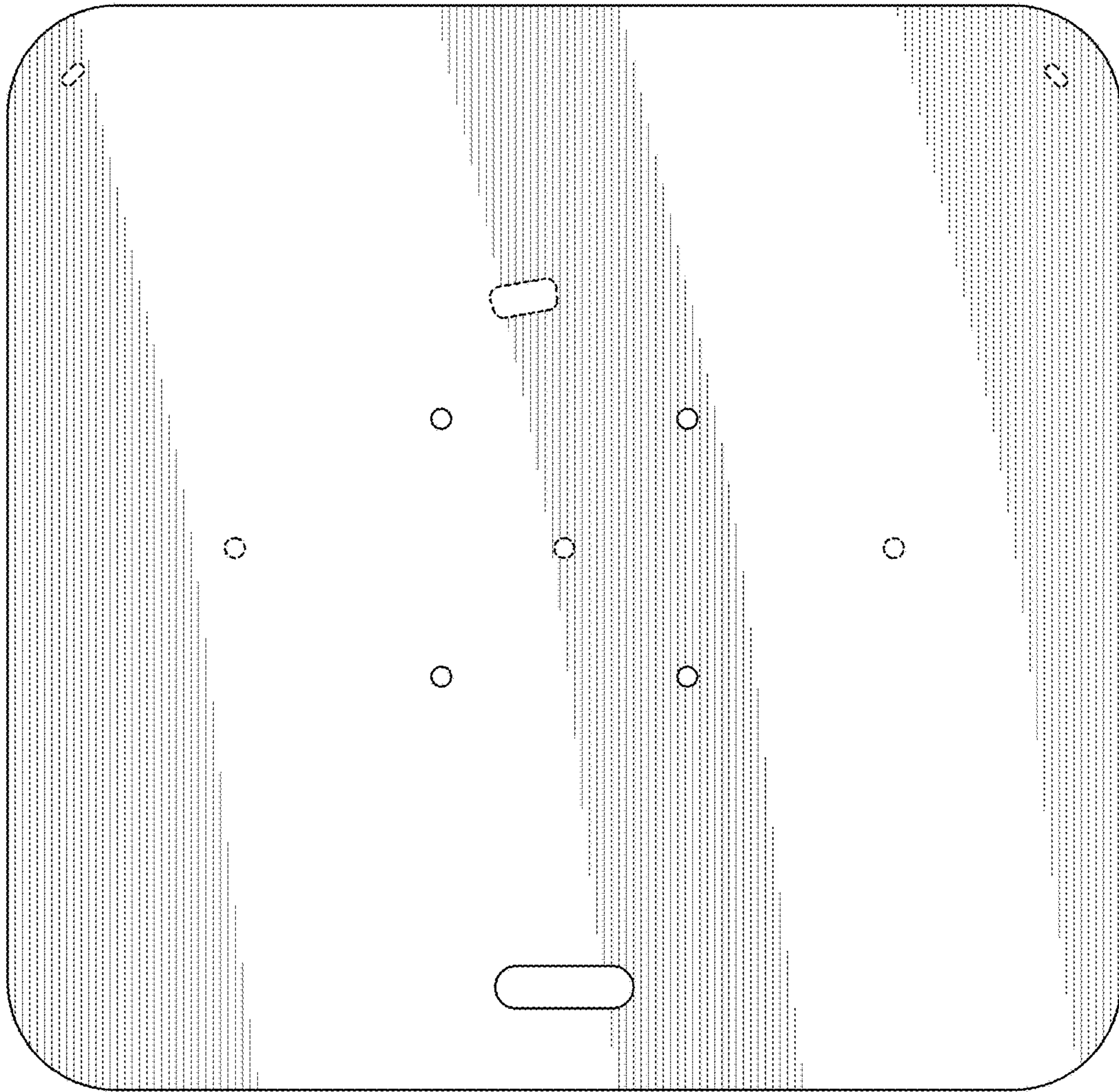


Fig. 4

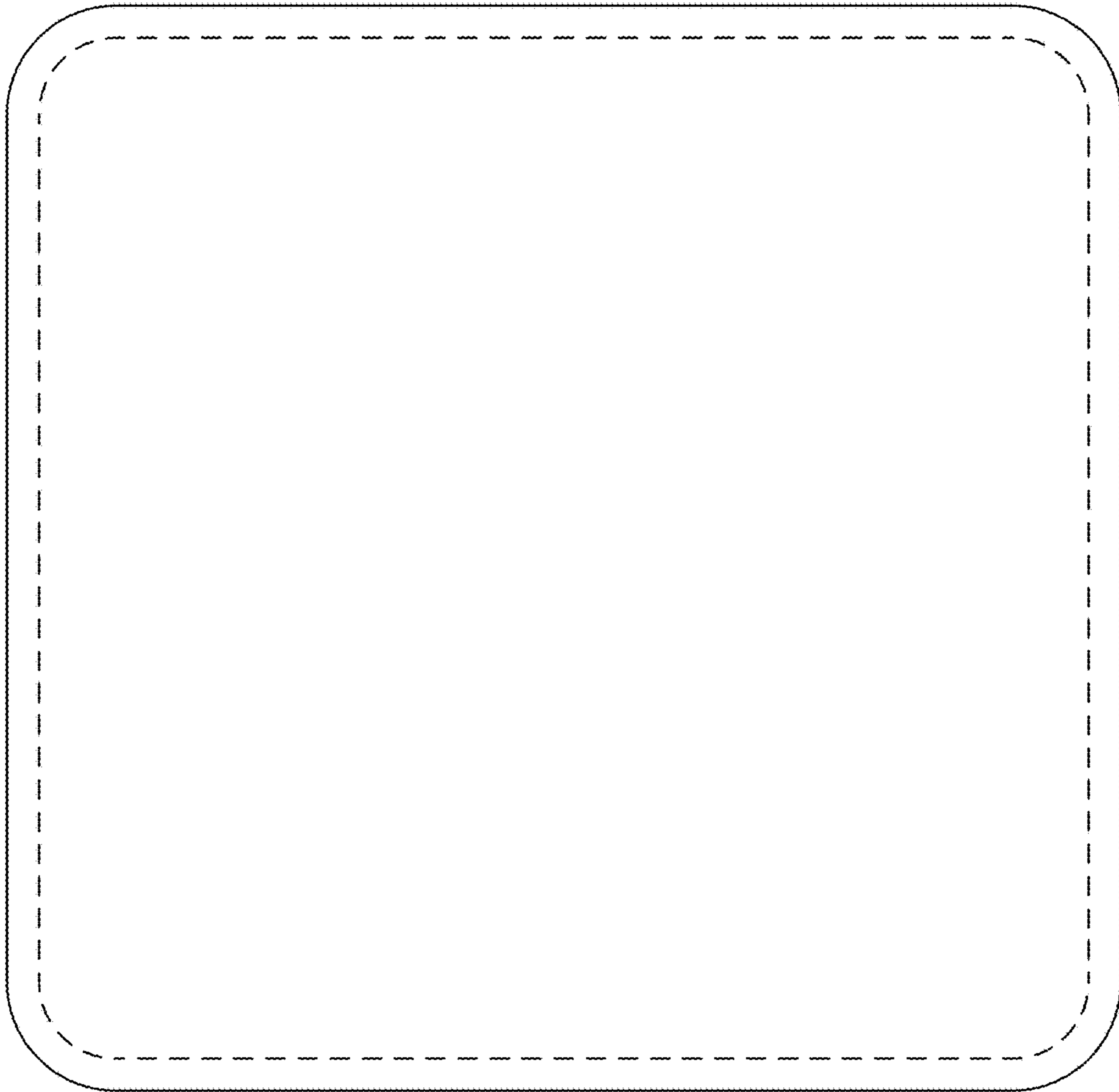


Fig. 5

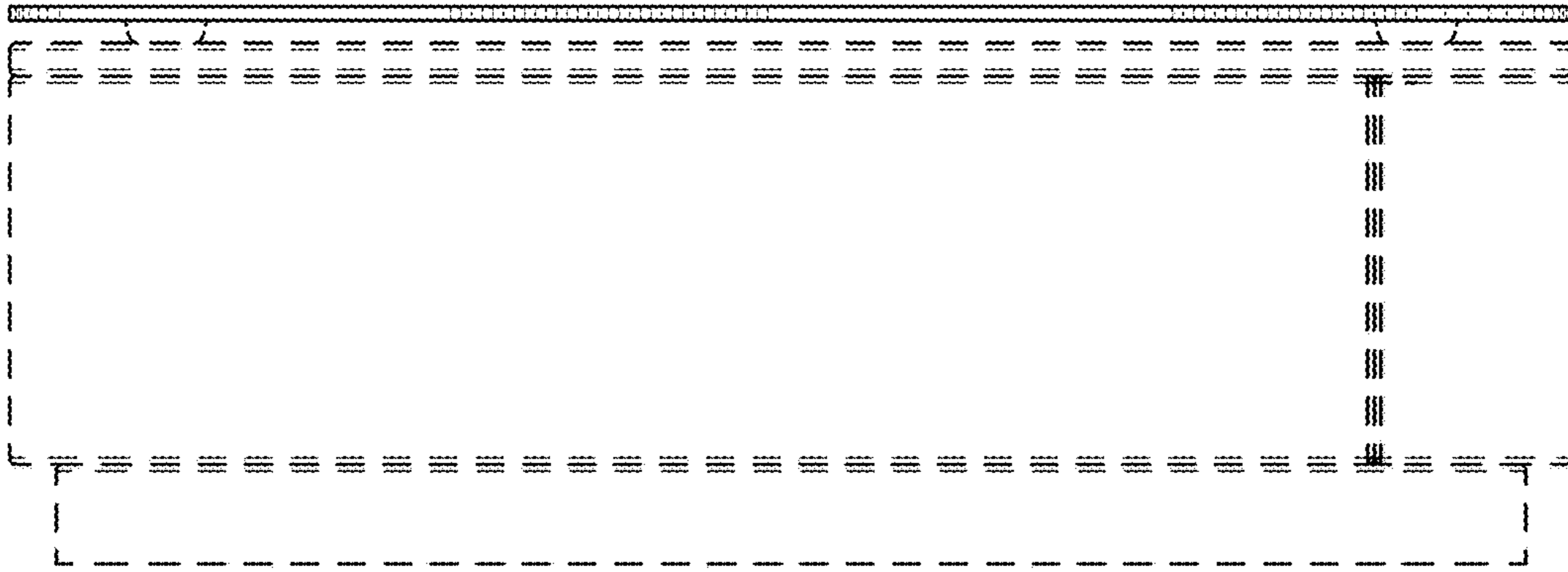


Fig. 6

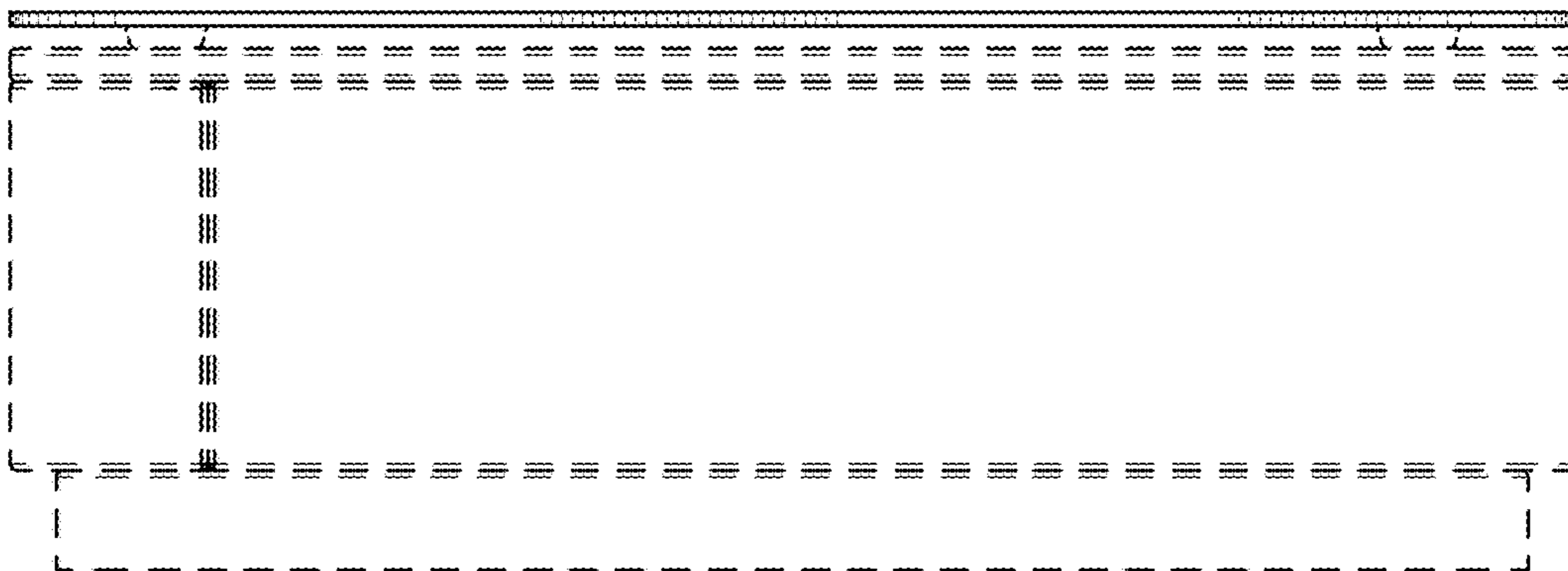


Fig. 7

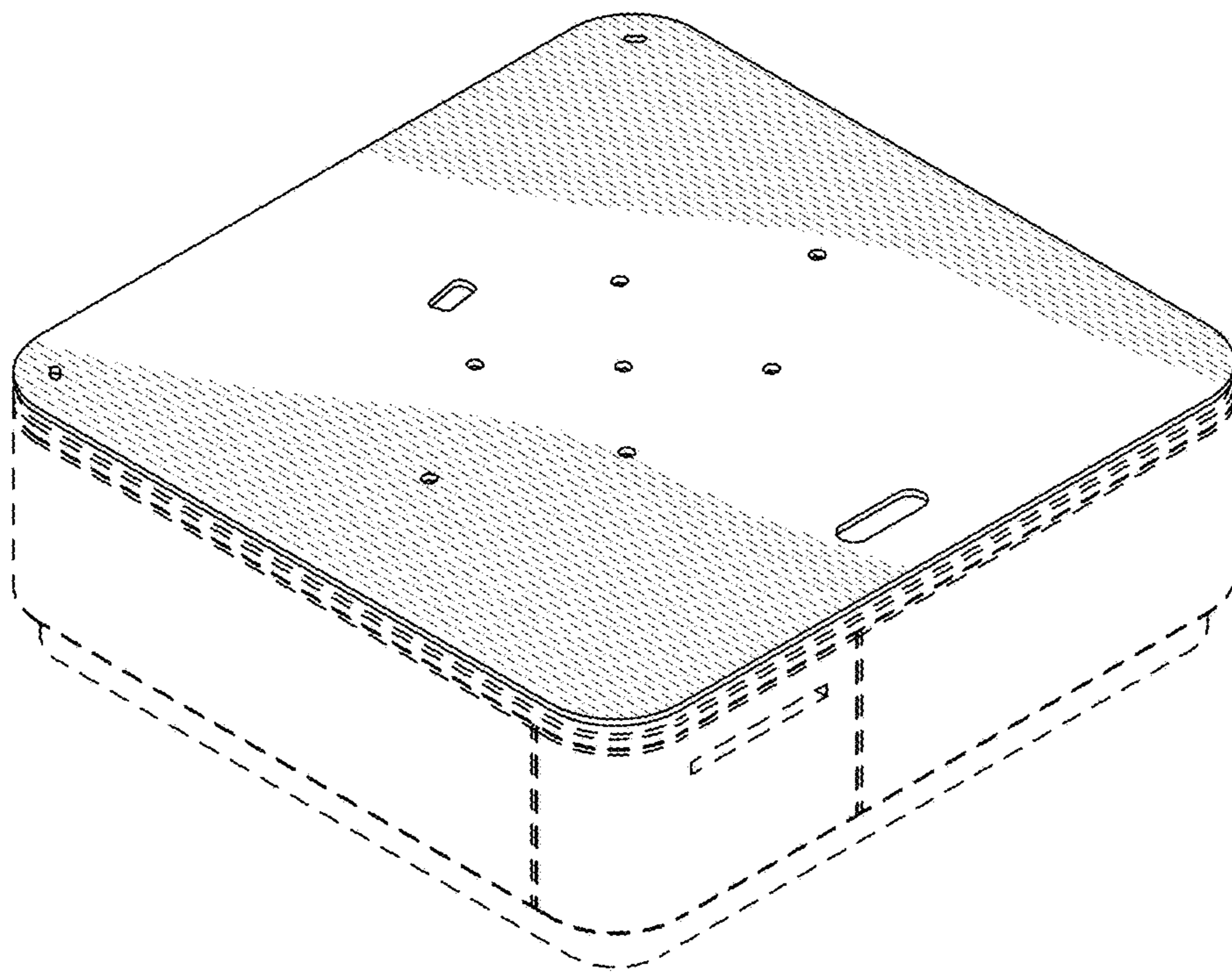


Fig. 8